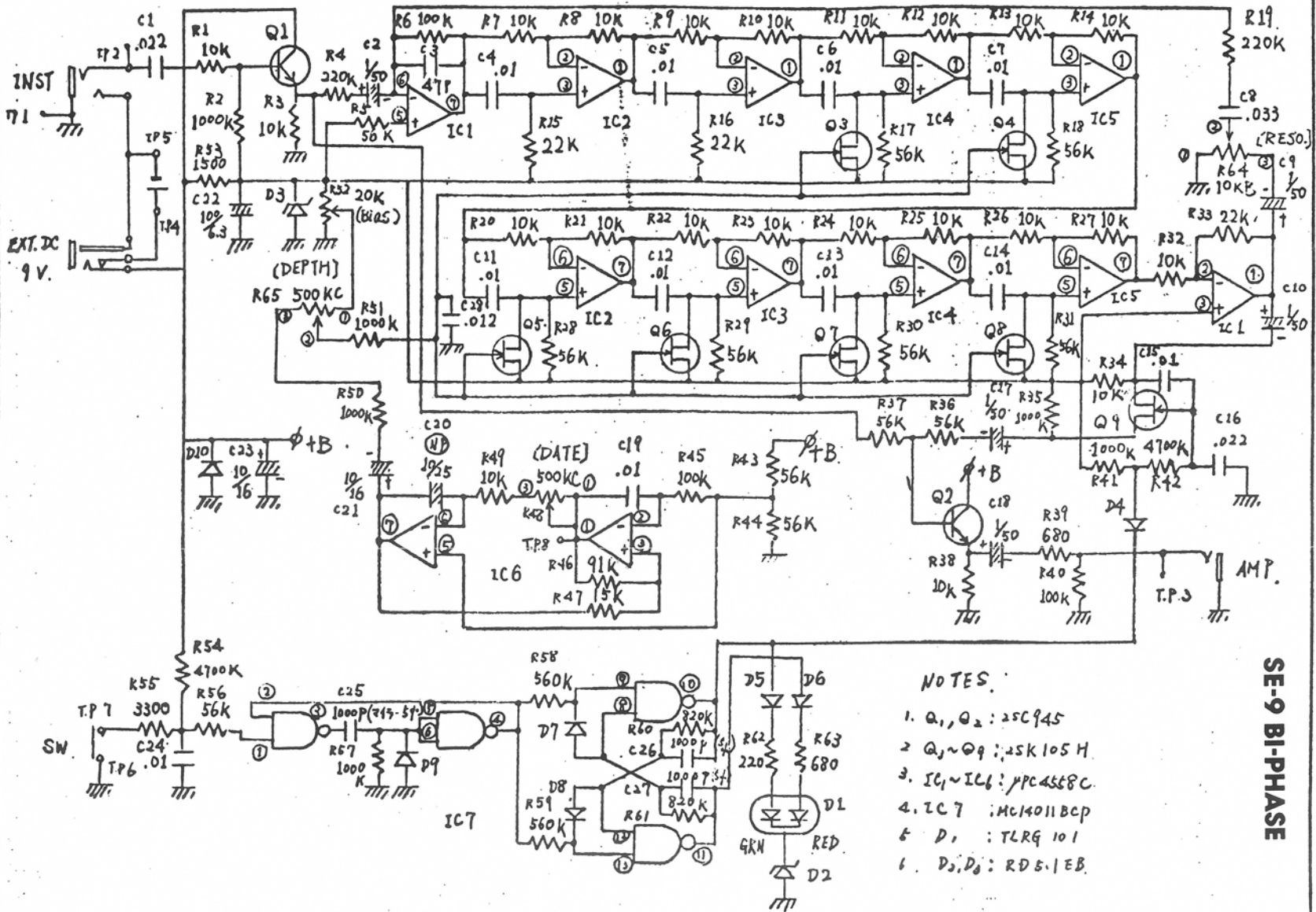


SE-9 BI-PHASE



- NOTES:
1. Q₁, Q₂: 25C94S
 2. Q₃ ~ Q₉: 25K105H
 3. IC₁ ~ IC₆: μPC4558C
 4. IC₇: MC14011BCP
 5. D₁: TLR9 101
 6. D₃, D₈: RDS-1EB

Input Imp. 500K ohm min.
 Output Imp. 1k ohm max.
 Max. Input Level -5dB
 Sweep speed 2 Hz-8 Hz
 Signal/Noise ratio 3 octaves
 Controls -70dB
 Width/resonance Noiseless electronic FET switch (effect on/off)
 LED (2 color) Red (effect on) or normal signal
 Green (effect on)
 Jacks Input, output, AC adaptor input
 Power supply SE-Up AC adaptor included
 9V battery (600P) included



370 Motor Parkway
 Hauppauge, New York 11787
 Telephone: (516) 231-7700
 Telex: 510-227-9866