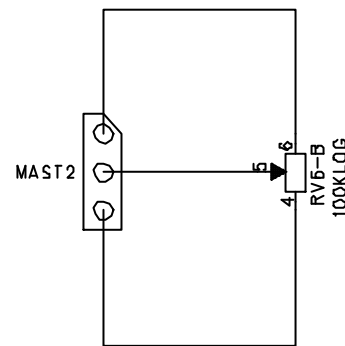
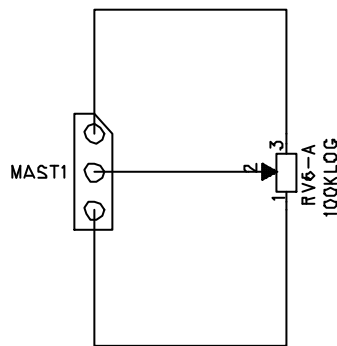
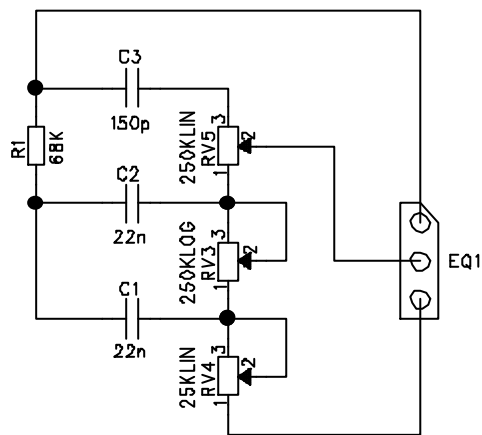
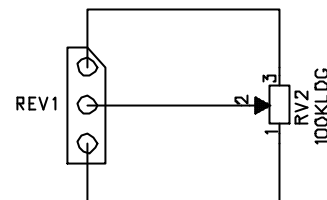
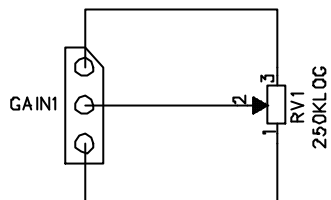


ISSUE CHANGE NOTE DATE	ISSUE CHANGE NOTE DATE	ISSUE CHANGE NOTE DATE
ISSUE CHANGE NOTE DATE	ISSUE CHANGE NOTE DATE	ISSUE CHANGE NOTE DATE

ORANGE AD30R COMBO FRONT PANEL



COMPONENTS USED ARE
OF AN APPROVED TYPE AND
MUST BE REPLACED ACCORDINGLY

Circuit Design by Adrian Emsley

TITLE
PROJECT
DRAWING No
ISSUE
DATE
DRAWN BY

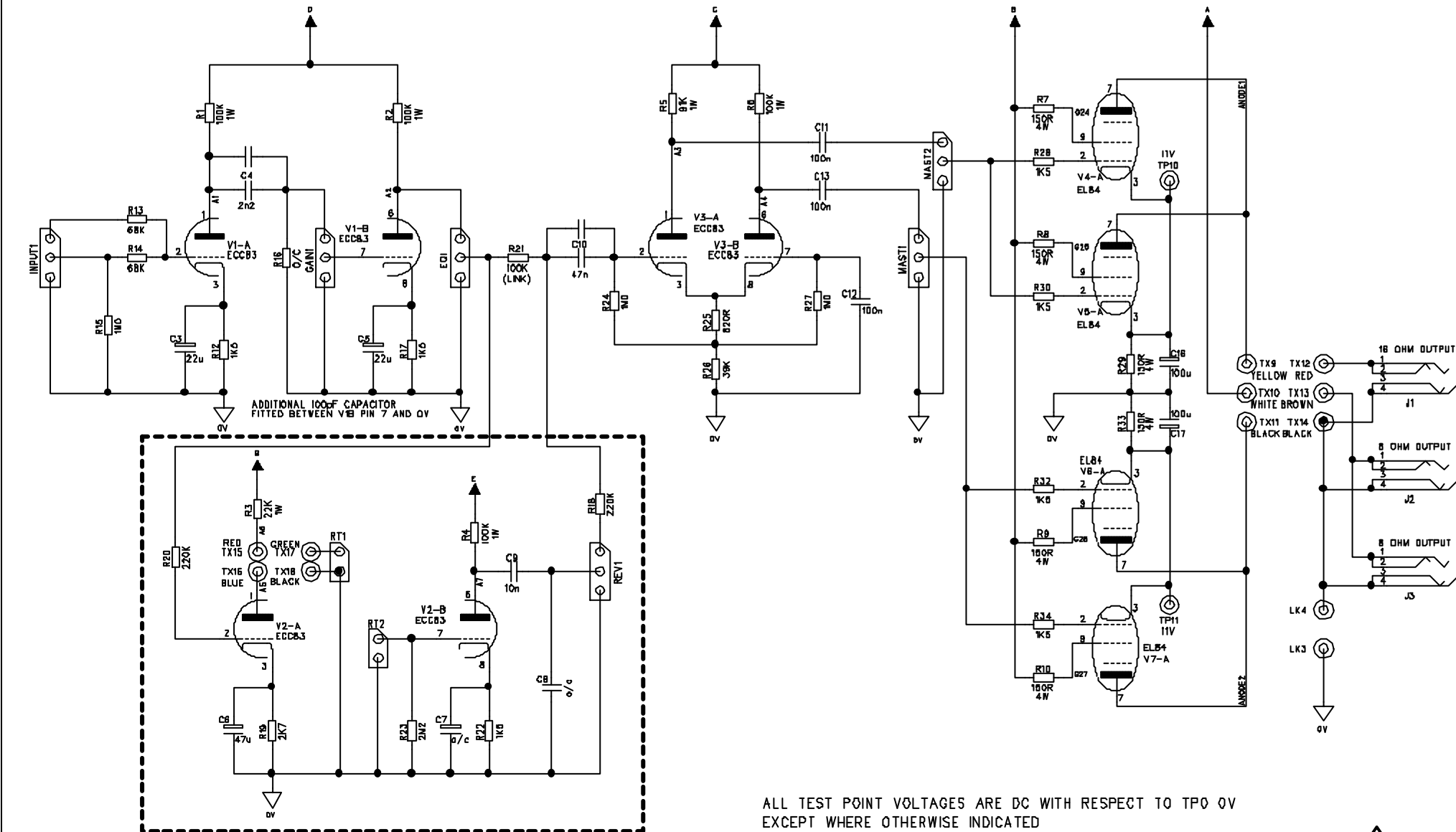
FRONT PANEL
ORANGE AD30
CDO0114
2
16 APRIL 1998
PAUL STEVENS

TRACE ELLIOT LTD
BLACKWATER TRADING ESTATE
MALDON ESSEX CM9 4GG
GREAT BRITAIN
TEL (01621) 851851
FAX (01621) 851875

FOR USE WITH PC00114

ORANGE AD30 - MAIN BOARD

ISSUE CHANGE NOTE DATE	ISSUE CHANGE NOTE DATE	ISSUE CHANGE NOTE DATE



ALL TEST POINT VOLTAGES ARE DC WITH RESPECT TO TP0 0V EXCEPT WHERE OTHERWISE INDICATED
TOLERANCE +/- 10%
ALL VALUES IN BRACKETS ARE FOR AD30 HEAD VERSION



SHEET 1/2

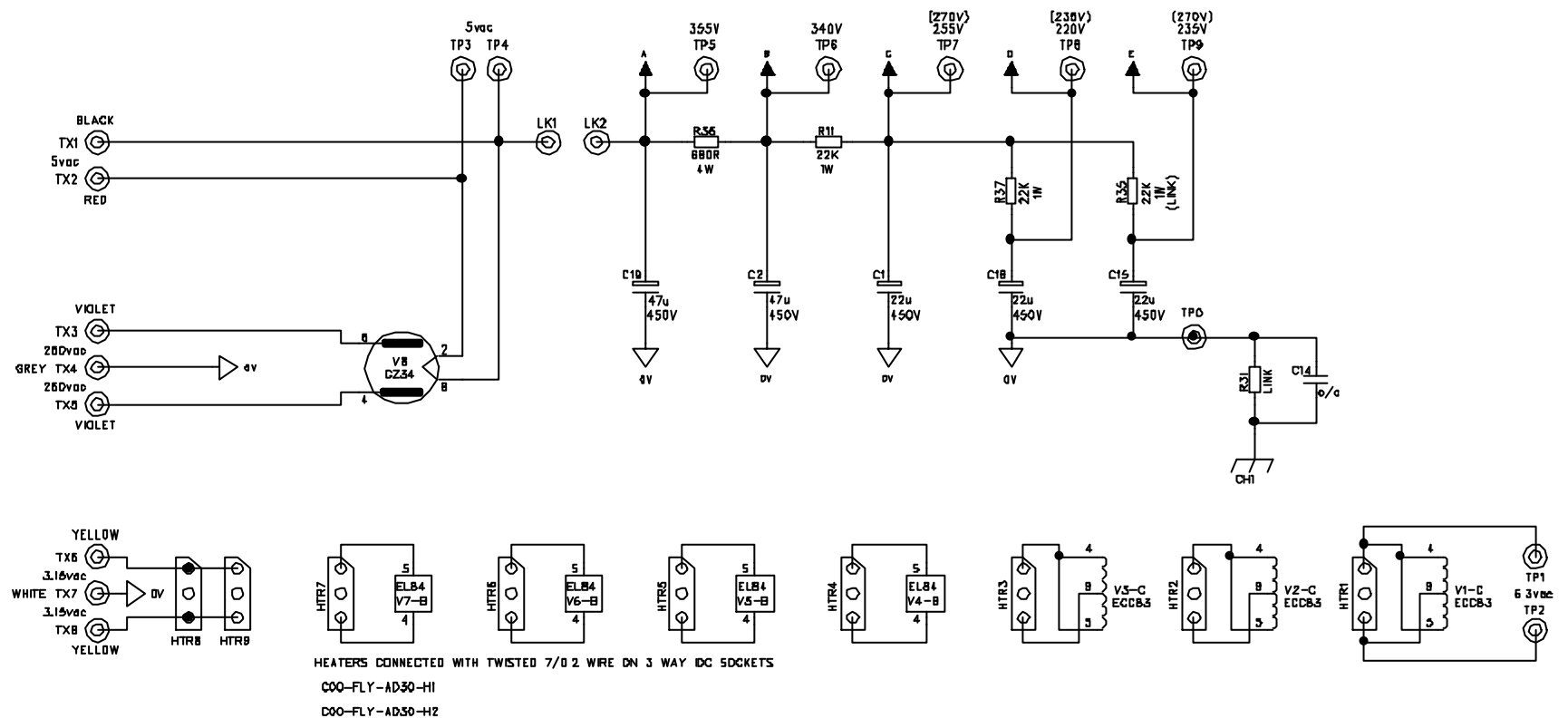
Circuit Design by Adrian Emley

FOR USE WITH PC00115

REVERB SECTION NOT FITTED ON HEAD
ALL PARTS o/c

TITLE	MAIN BOARD	TRACE ELLIOT LTD
PROJECT	ORANGE AD30	BLACKWATER TRADING ESTATE
DRAWING No	C000115	WALDON ESSEX CM9 4GG
ISSUE	5	GREAT BRITAIN
DATE	6 SEPTEMBER 2000	TEL (01821) 851851
DRAWN BY	PAUL STEVENS	FAX (01821) 851975

ISSUE CHANGE NOTE DATE	ISSUE CHANGE NOTE DATE	ISSUE CHANGE NOTE DATE
ISSUE CHANGE NOTE DATE	ISSUE CHANGE NOTE DATE	ISSUE CHANGE NOTE DATE



ALL TEST POINT VOLTAGES ARE DC WITH RESPECT TO TPD 0V
 EXCEPT WHERE OTHERWISE INDICATED
 TOLERANCE +/- 10%
 ALL VALUES IN BRACKETS ARE FOR AD30 HEAD VERSION

