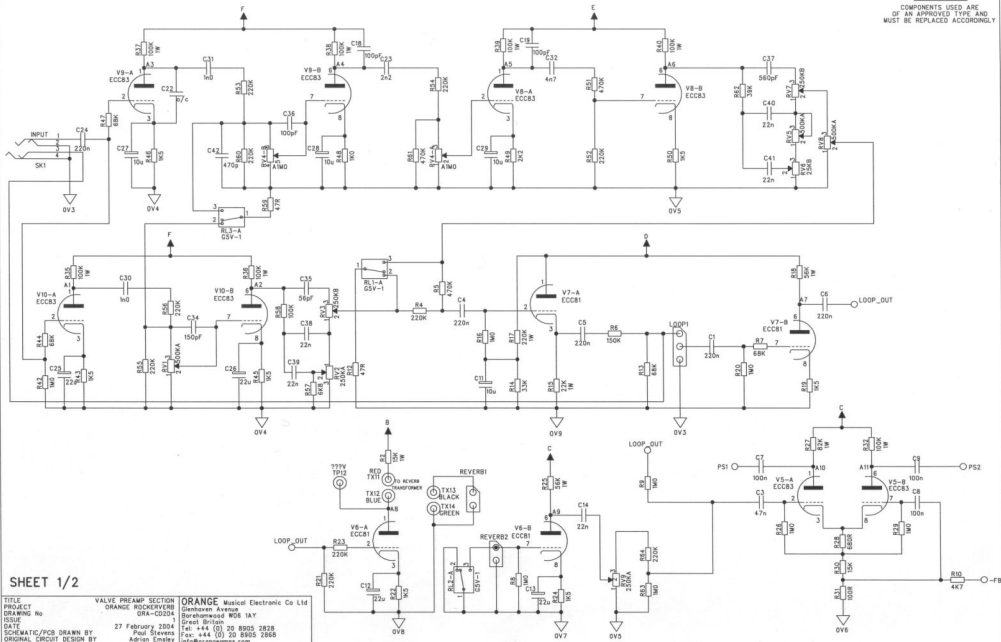


# ORANGE ROCKERVERB - MAIN PREAMP PCB

## PREAMP 1 & 2, LOOP, REVERB & PHASE SPLITTER

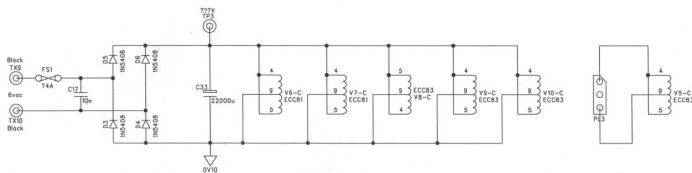
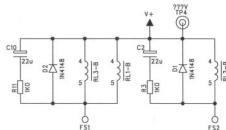
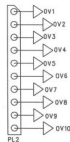
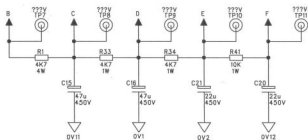
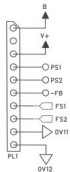


SHEET 1/2

TITLE VALVE PREAMP SECTION  
 PROJECT ORANGE ROCKERVERB  
 DRAWING No. ORA-CD204  
 ISSUE 1  
 DATE 27 February 2004  
 SCHEMATIC/PCB DRAWN BY Paul Stevens  
 ORIGINAL CIRCUIT DESIGN BY Adrian Emley

ORANGE Musical Electronic Co Ltd  
 Danbyden Avenue  
 Borehamwood W06 1AY  
 Great Britain  
 Tel: +44 (0) 20 8905 2828  
 Fax: +44 (0) 20 8905 2865  
 info@orangeempa.com

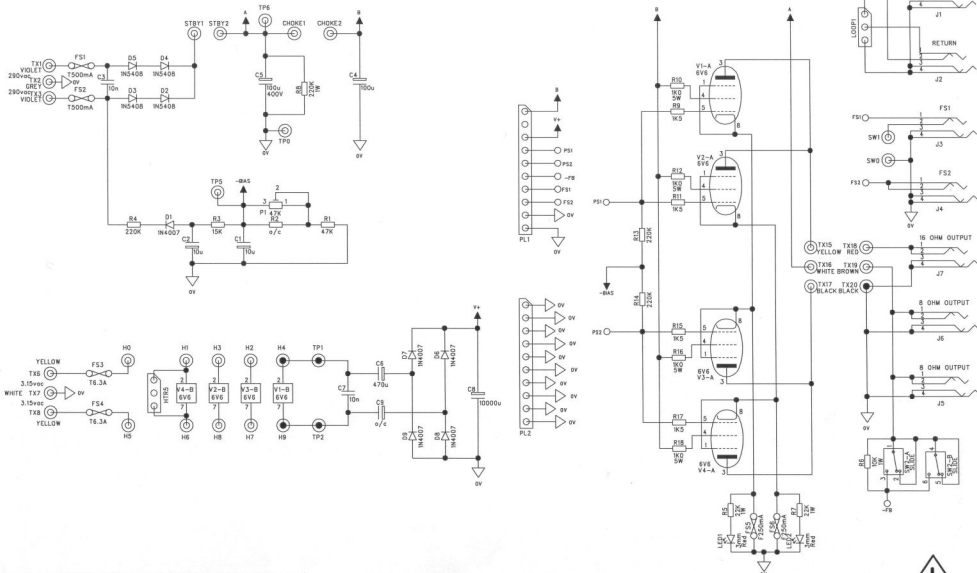
  
 COMPONENTS USED ARE  
 OF AN APPROVED TYPE AND  
 MUST BE REPLACED ACCORDINGLY



SHEET 2/2

TITLE	SUPPLIES, HEATERS, RELAYS	ORANGE Musical Electronic Co Ltd
PROJECT	ORANGE ROCKERVERB	Deunhoven Avenue
DRAWING No	ORA-CD204	Borehamwood WDG 1AY
ISSUE	1	Great Britain
DATE	27 February 2004	Tel: +44 (0) 20 8605 2828
SCHEMATIC/PCB DRAWN BY	Paul Stevens	Fax: +44 (0) 20 8905 2868
ORIGINAL CIRCUIT DESIGN BY	Adrian Emmsley	info@orange-cd.com

# ORANGE ROCKERVERB 50W POWER BOARD



TITLE	50W VALVE POWER BOARD	ORANGE Musical Electronic Co Ltd
PROJECT	ORANGE ROCKERVERB	Greenham Avenue
DRAWING No	ORA-CD206	Borehamwood W08 1AY
ISSUE	1.1	Great Britain
DATE	10 March 2004	Tel: 44 (0) 20 8905 2828
DRAWN BY	Paul Stevens	Fax: +44 (0) 20 8905 2868
ORIGINAL CIRCUIT DESIGN BY	Adrian Emmsley	info@orangeorb.com

ALL TEST POINT VOLTAGES ARE DC WITH RESPECT TO TPO 0V EXCEPT WHERE OTHERWISE INDICATED. BIAS SET FULLY ANTI-CW TOLERANCE +/- 10%

