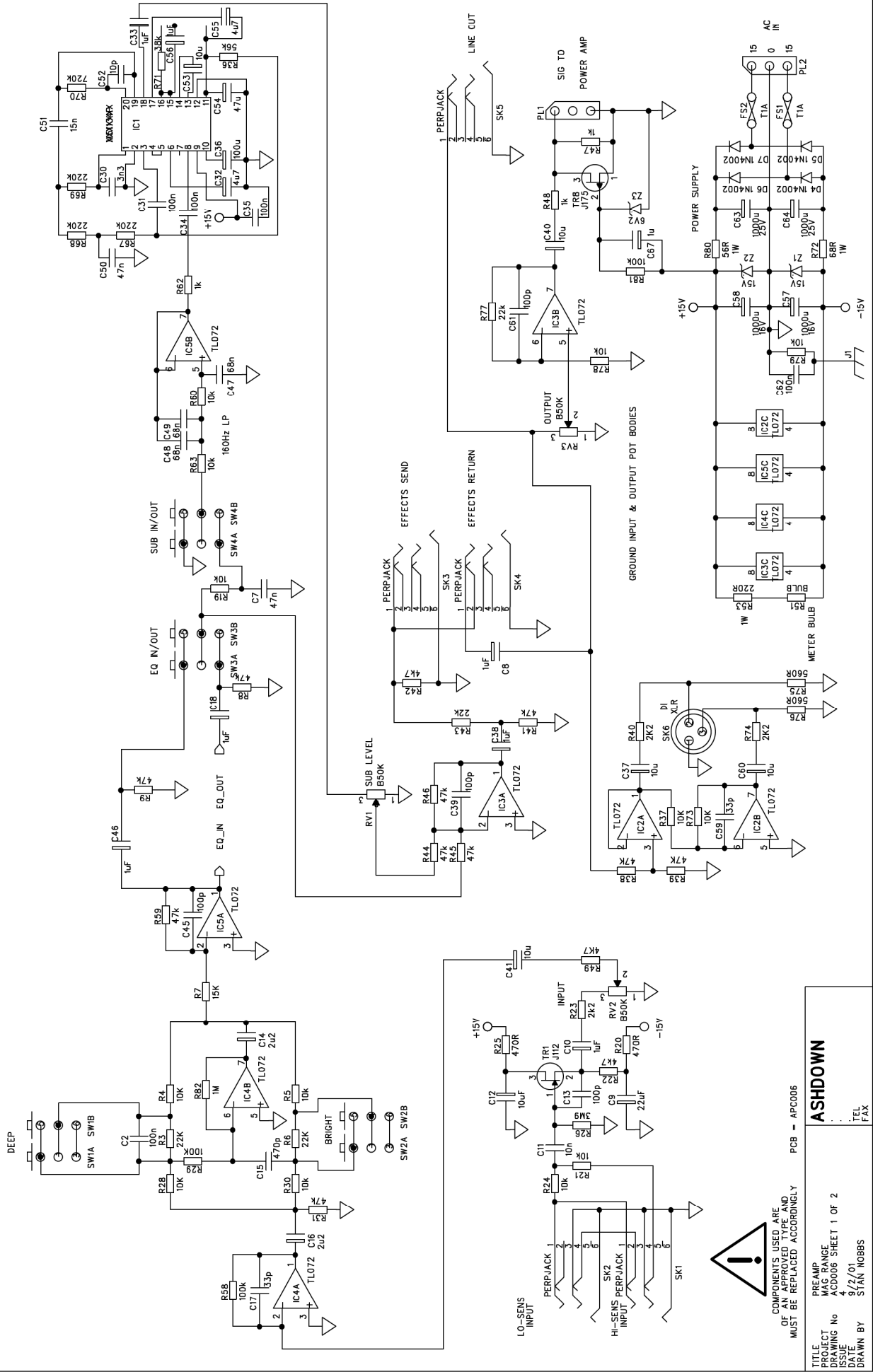


ISSUE 4 - R49 CHANGED FROM 10K TO 4K7 TO INCREASE INPUT SENSITIVITY

ISSUE NO.	CHANGE NOTE	ISSUE DATE	CHANGE NOTE	ISSUE DATE
1				
2				
3				
4				



ASHDOWN

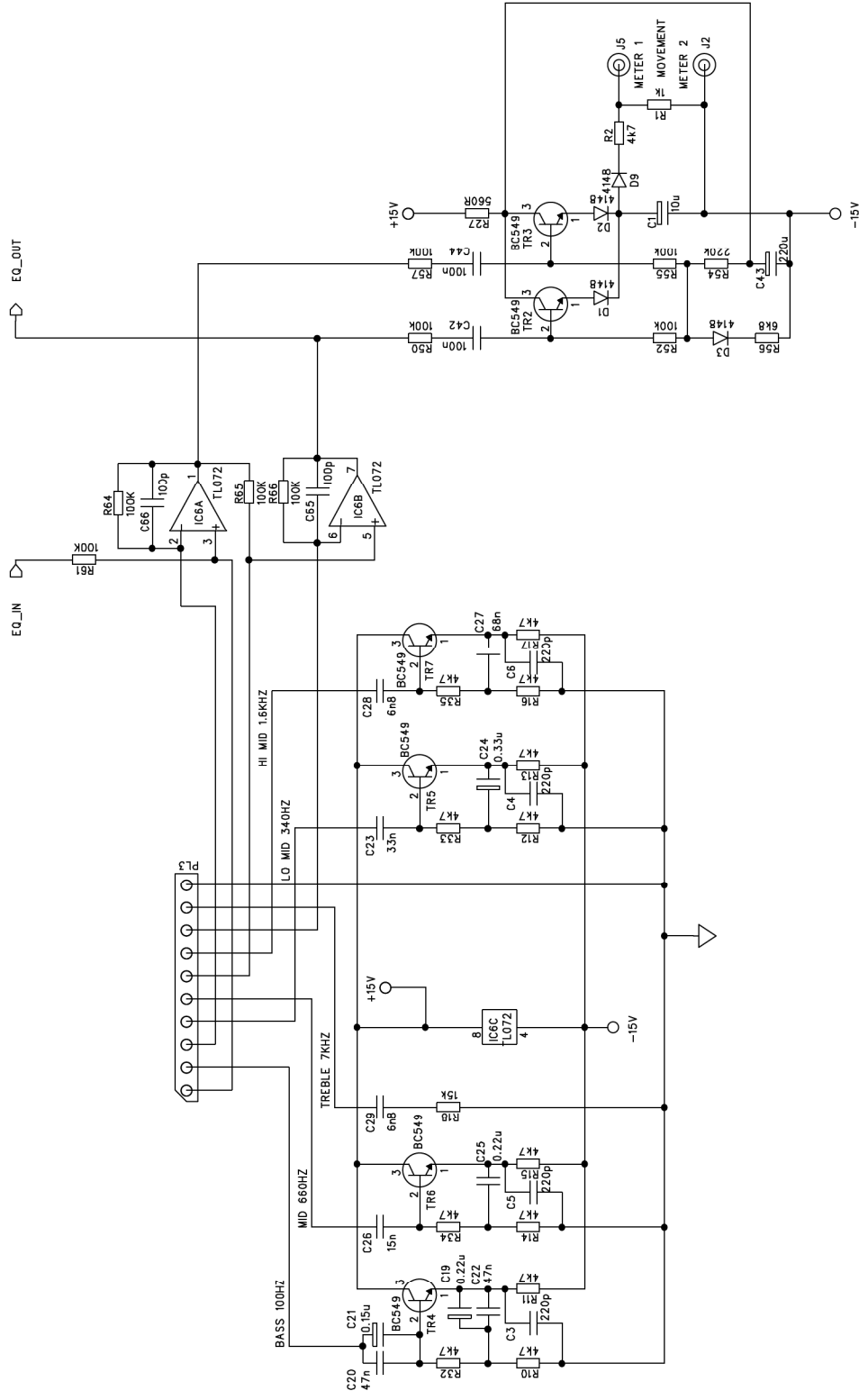
COMPONENTS USED ARE OF AN APPROVED TYPE AND MUST BE REPLACED ACCORDINGLY

PCB = APC006

TITLE: PREAMP
 DRAWING No: ACC006 SHEET 1 OF 2
 ISSUE: 4
 DATE: 9/2/01
 DRAWN BY: STAN NOBBS

TEL: _____
 FAX: _____

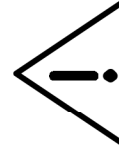
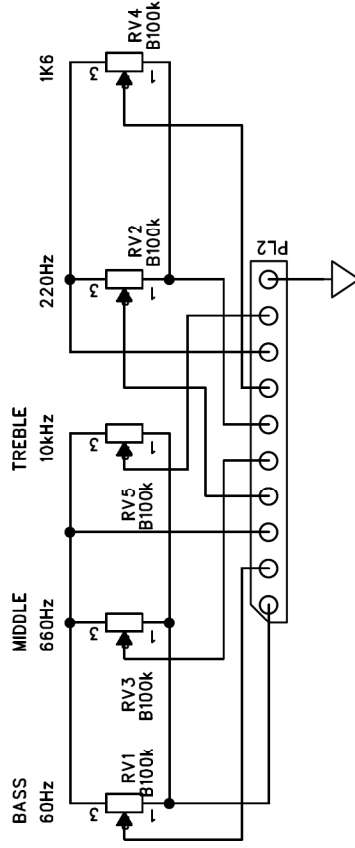
ISSUE DATE	CHANGE NOTE	ISSUE DATE	CHANGE NOTE



COMPONENTS USED ARE OF AN APPROVED TYPE AND MUST BE REPLACED ACCORDINGLY

TITLE	TONE CIRCUIT & LEVEL INDICATION
DRAWING No	400066 SHEET 2 OF 2
ISSUE DATE	9/2/01
DRAWN BY	STAN NOBBS
ASHDOWN	
ENGLAND TEL FAX	

ISSUE CHANGE DATE	NOTE	ISSUE CHANGE DATE	NOTE
ISSUE CHANGE DATE	NOTE	ISSUE CHANGE DATE	NOTE

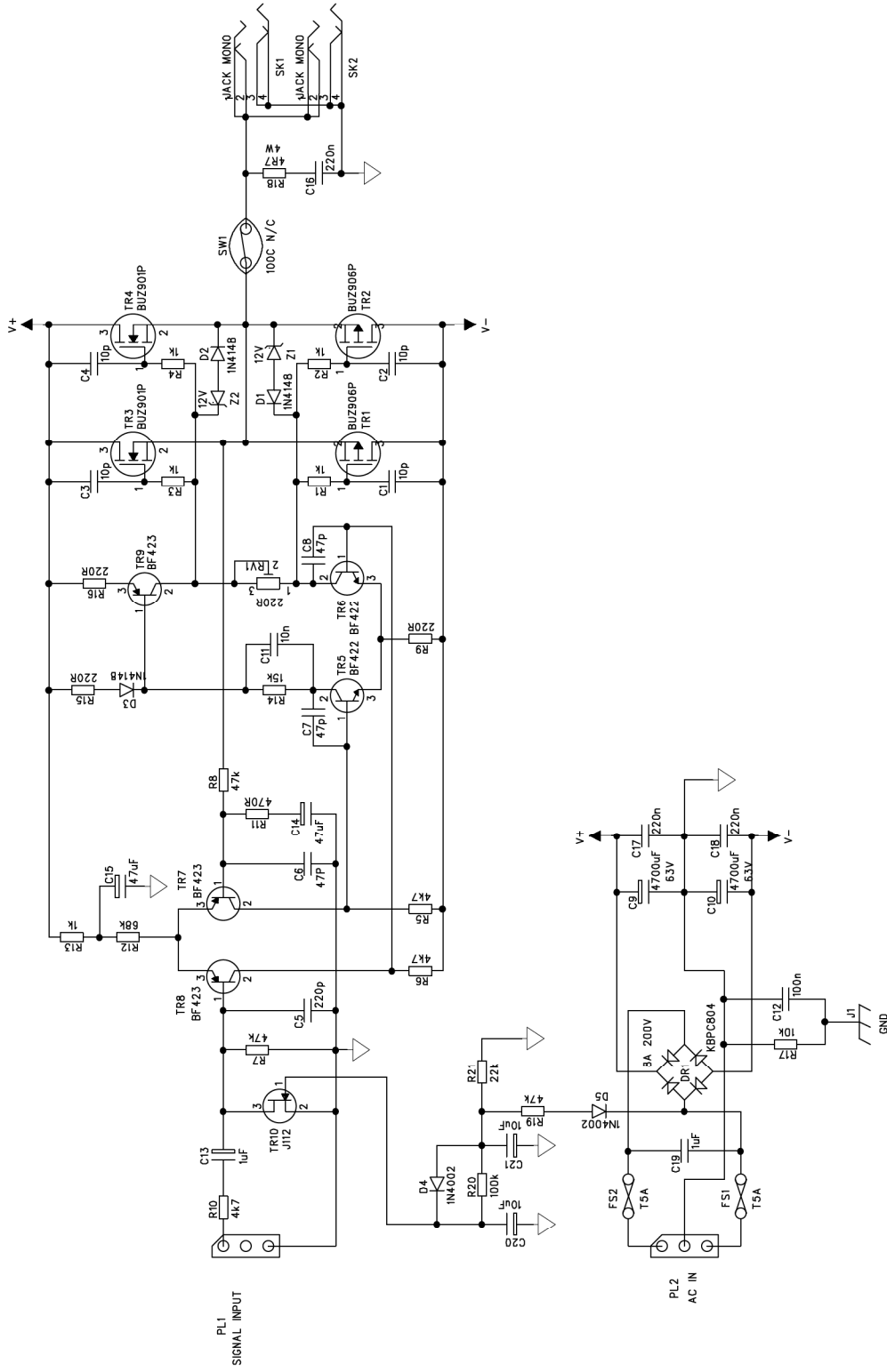


COMPONENTS USED ARE
OF AN APPROVED TYPE AND
MUST BE REPLACED ACCORDINGLY

PCB = APC007

TITLE	ASHDOWN
PROJECT	ASHDOWN MAG RANGE
DRAWING No	ACD007
ISSUE	1
DATE	23/11/98
DRAWN BY	STAN NOBBS
TEL	(01245) 477010
FAX	(01245) 477020

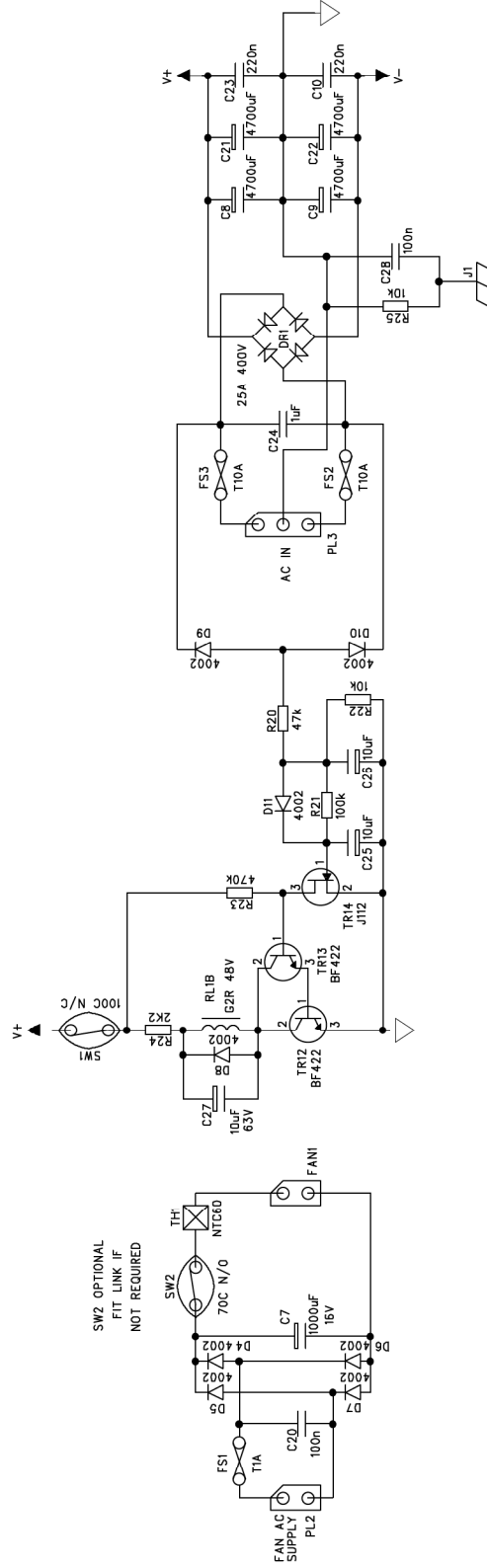
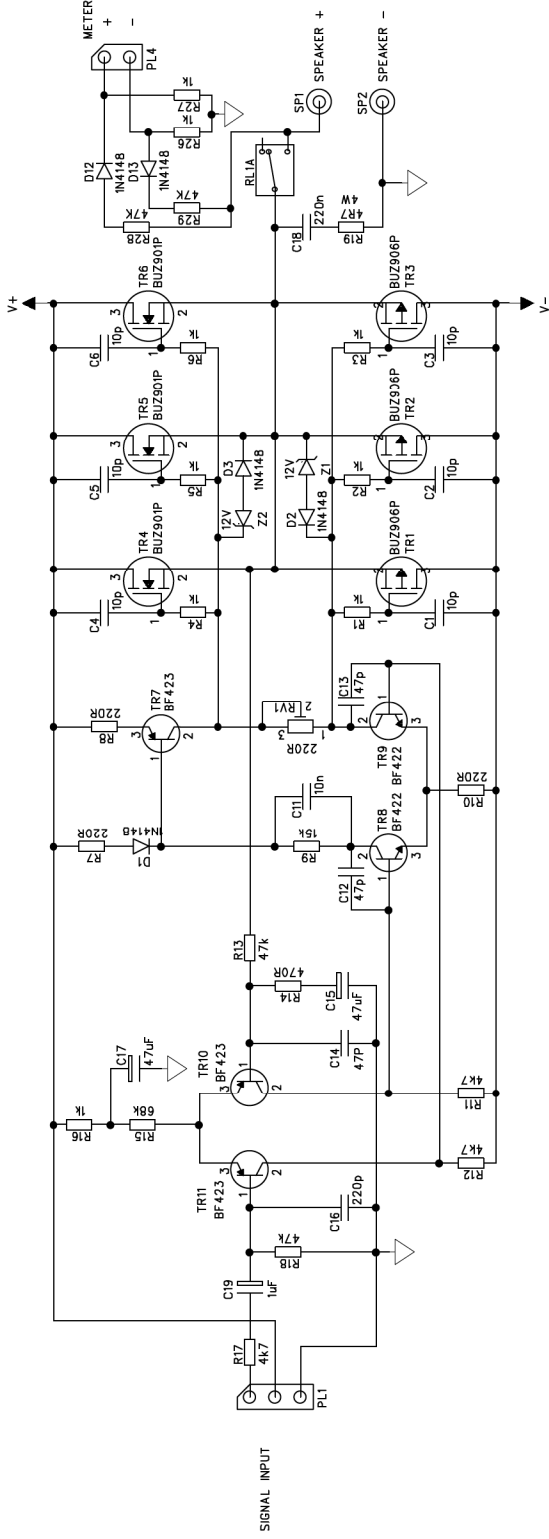
ISSUE DATE	ISSUE CHANGE DATE	ISSUE CHANGE DATE	ISSUE CHANGE DATE



COMPONENTS USED ARE
OF AN APPROVED TYPE AND
MUST BE REPLACED ACCORDINGLY

PCB = AFCC08	ASHDOWN
TITLE DRAWING No ISSUE DATE DRAWN BY	200 WATT OUTPUT STAGE 4CD068 4 25/8/00 STAN NOBBS
	ENGLAND TEL FAX

ISSUE DATE	CHANGE NOTE	ISSUE DATE	CHANGE NOTE



COMPONENTS SHOWN FOR 400/500 WATT UNIT
FOR 300 WATT UNIT LEAVE OFF:- TR3,TR6,C21,C22



COMPONENTS USED ARE
OF AN APPROVED TYPE AND
MUST BE REPLACED ACCORDINGLY

PCB = APCC001

TITLE	ARM OUTPUT BOARD
DRAWING No	400001
ISSUE	3
DATE	4/10/99
DRAWN BY	CLIVE BUTTON
ASHDOWN	
ENGLAND	
TEL FAX	