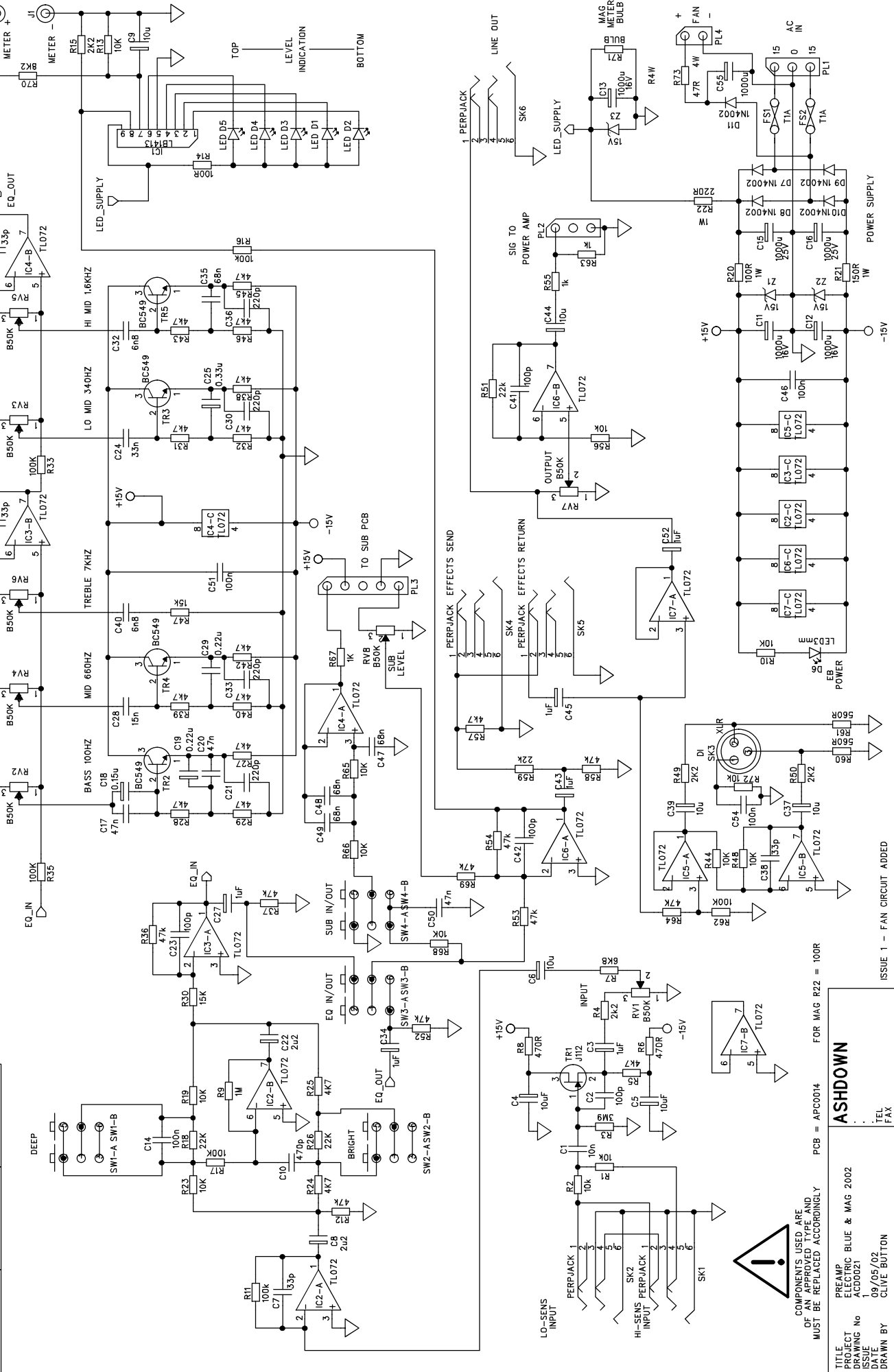


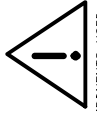
ISSUE	CHANGE NOTE	ISSUE	CHANGE NOTE



PCB = APC0014 FOR MAG R22 = 100R

ASHDOWN
 TITLE: PREAMP
 PROJECT: ELECTRIC BLUE & MAG 2002
 DRAWING No: ACB0021
 ISSUE: 10/05/02
 DRAWN BY: CLIVE BUTTON
 TEL: [blank]
 FAX: [blank]

ISSUE 1 - FAN CIRCUIT ADDED



COMPONENTS USED ARE OF AN APPROVED TYPE AND MUST BE REPLACED ACCORDINGLY