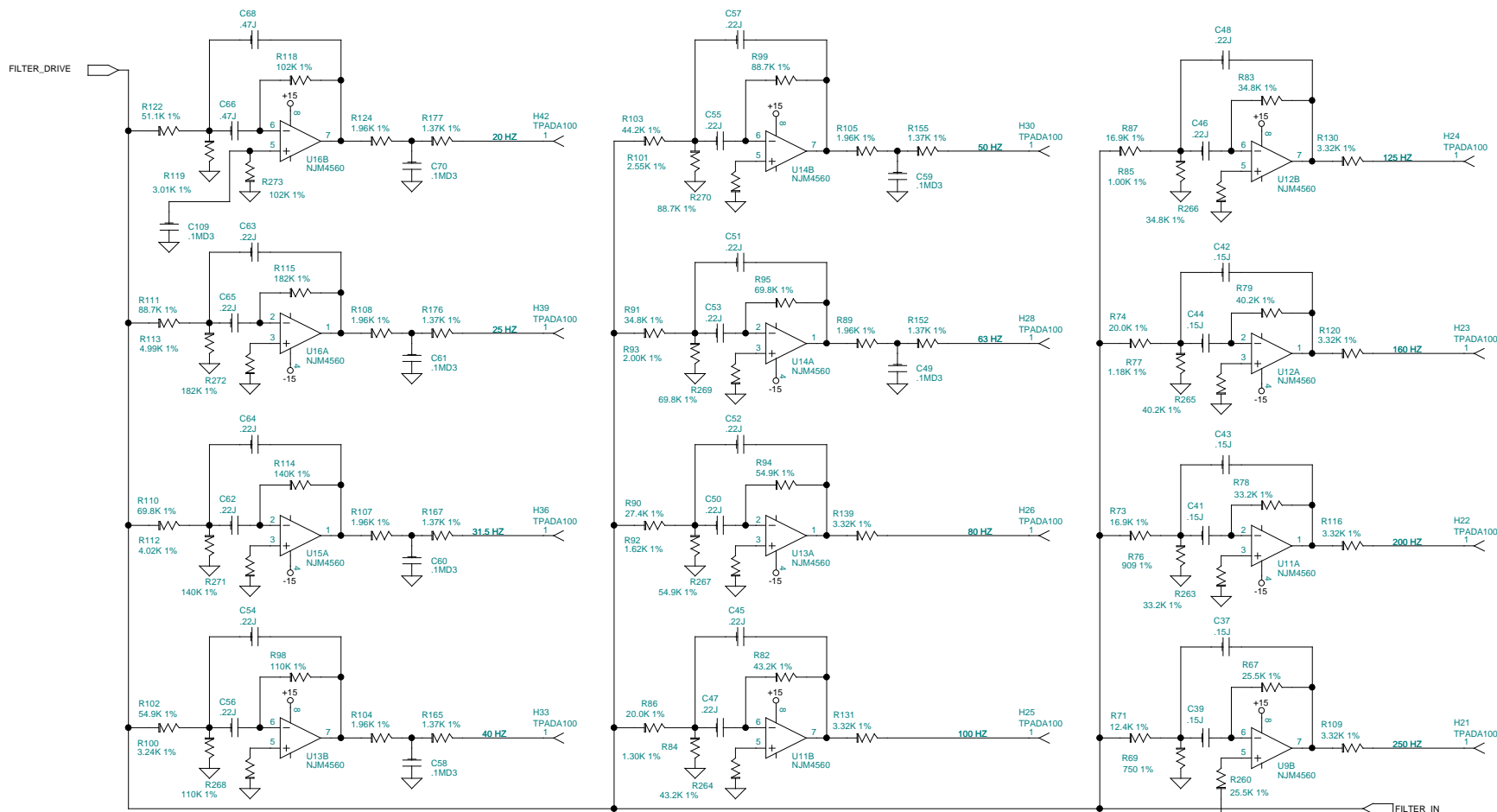
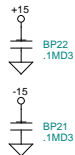
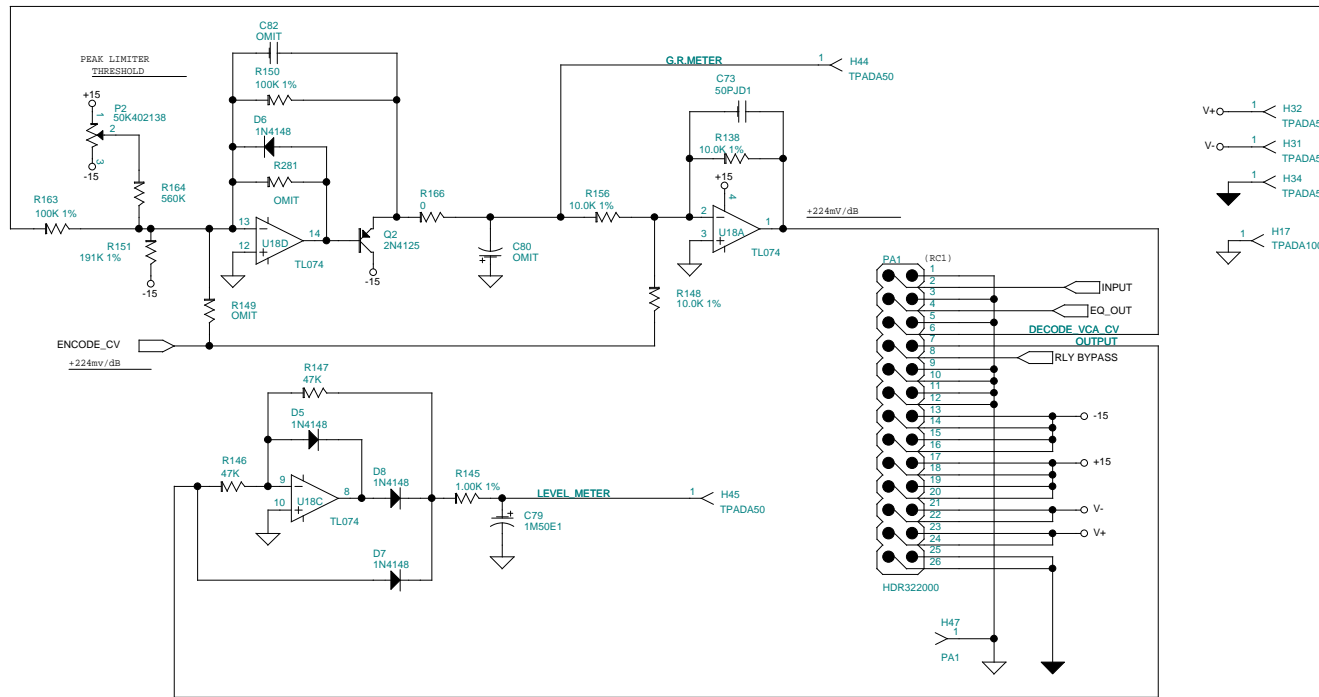
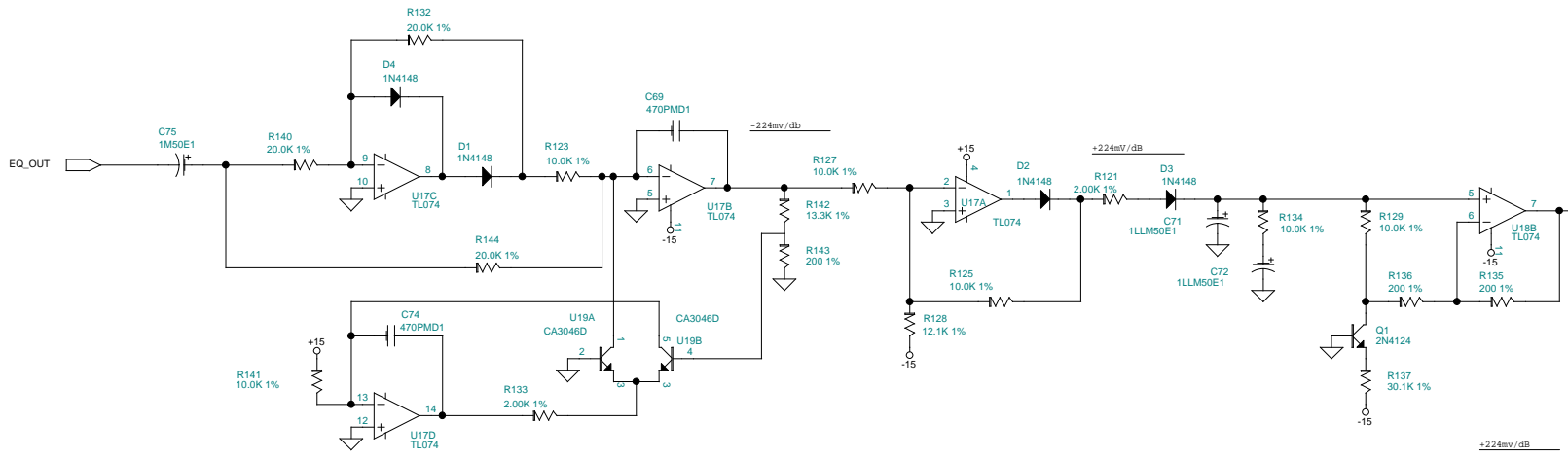


dbx Professional Products	
8760 South Sandy Parkway Sandy, Utah 84070	
Title dbx 20 SERIES EQ MAIN BOARD (PCB #1) 80-5284	
Size B	Document Number 055284B0.001
Date: Friday, October 15, 1999	Sheet 1 of 5
	Rev B0

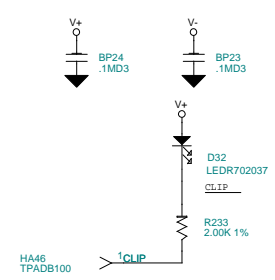
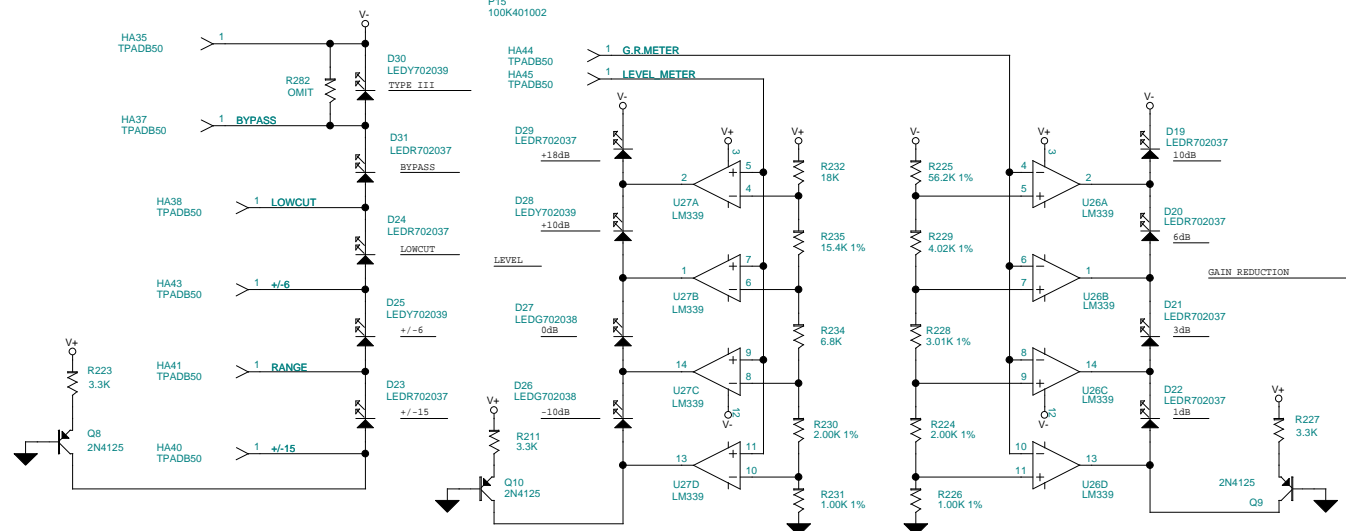
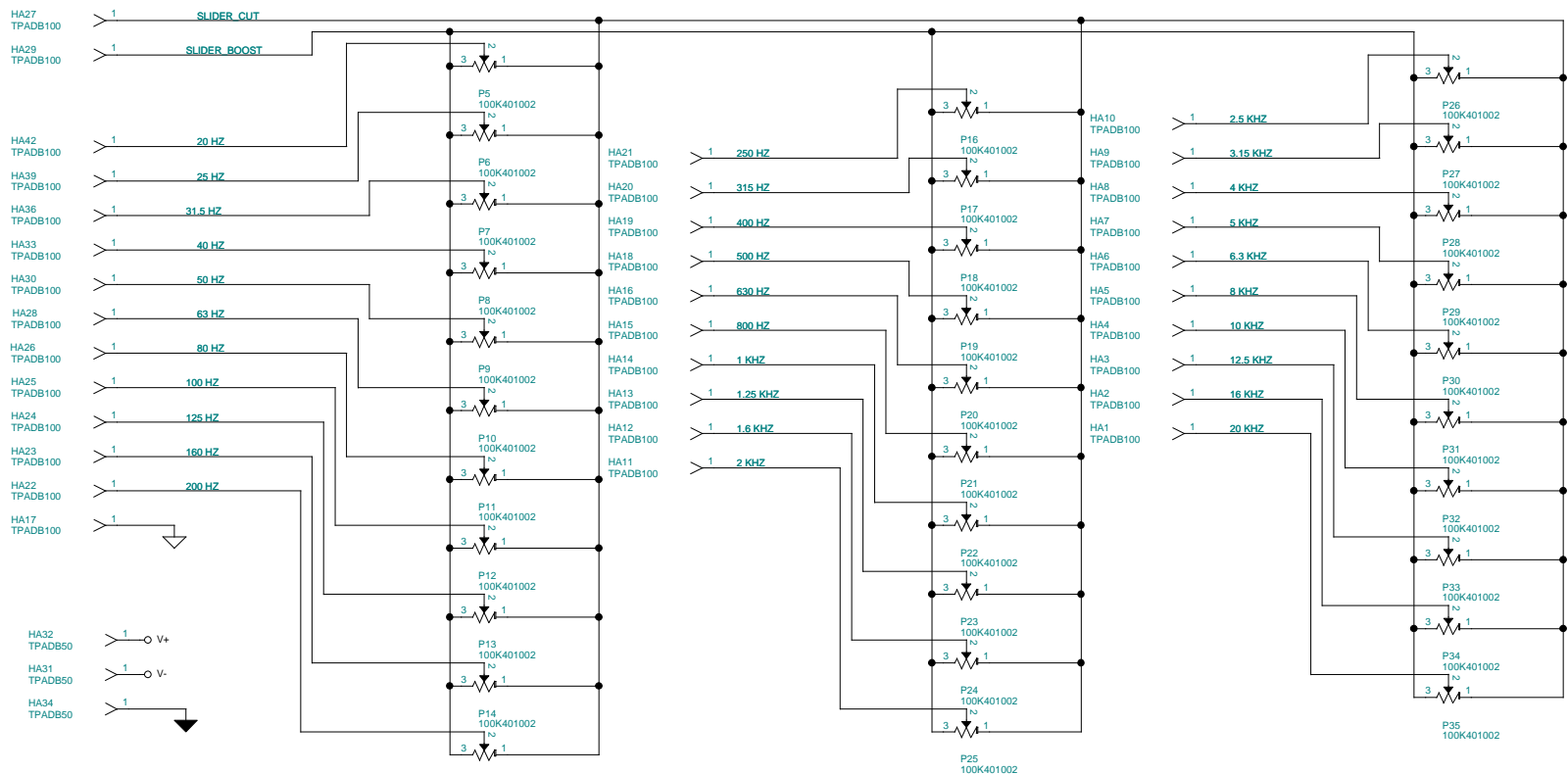


dbx Professional Products			
8760 South Sandy Parkway Sandy, Utah 84070			
Title dbx 20 SERIES EQ MAIN BOARD (PCB #1) 80-5284			
Size B	Document Number 055284B0.002	Rev B0	
Date:	Friday, October 15, 1999	Sheet	2 of 5

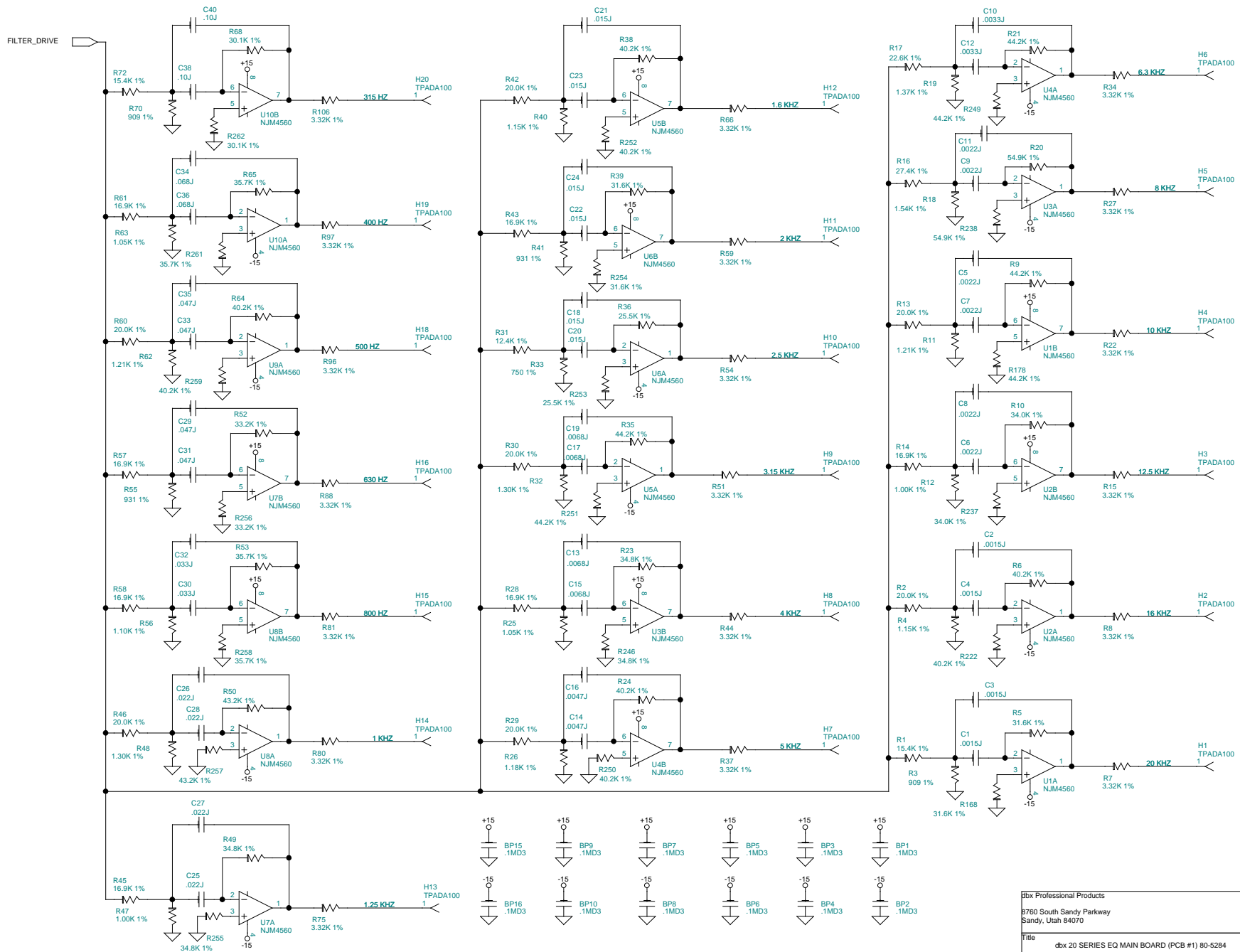


- PCB1 80-5284-B
- SC1 SC340125
- SC2 SC340125
- SC3 SC340125
- SC4 SC340125

dbx Professional Products	
8760 South Sandy Parkway Sandy, Utah 84070	
Title dbx 20 SERIES EQ MAIN BOARD (PCB #1) 80-5284	
Size B	Document Number 055284B0.004
Date: Friday, October 15, 1999	Rev B0
Sheet 4 of 5	



ibx Professional Products		
8760 South Sandy Parkway Sandy, Utah 84070		
Title 20 SERIES EQ SLIDER BOARD (PCB #2) 80-5284		
Size B	Document Number 055284B0.005	Rev B0
Date: Friday, October 15, 1999	Sheet 5 of 5	



dbx Professional Products	
8760 South Sandy Parkway Sandy, Utah 84070	
Title dbx 20 SERIES EQ MAIN BOARD (PCB #1) 80-5284	
Size B	Document Number 055284B0.003
Date: Friday, October 15, 1999	Sheet 3 of 5
	Rev B0

Quan	Reference	Part	SYMAN	Description
37	BP1, BP2, BP3, BP4, BP5, BP6, BP7, BP8, BP9, BP10, BP11, BP12, BP13, BP14, BP15, BP16, BP17, BP18, BP19, BP20, BP21, BP22, BP23, BP24, BP25, BP26, C49, C58, C59, C60, C61, C70, C81, C87, C97, C103, C109	.1MD3	62-0060	.1 uF Cap 50V 20% Ceramic AXL
4	C1, C2, C3, C4	.0015J	56-0001	.0015 uF Cap 50V 5% Poly Film 152J ammo
6	C5, C6, C7, C8, C9, C11	.0022J	56-0002	.0022 uF Cap 50V 5% Poly Film 222J ammo
2	C10, C12	.0033J	56-0003	.0033 uF Cap 50V 5% Poly Film 332J ammo
4	C13, C15, C17, C19	.0068J	56-0005	.0068 uF Cap 50V 5% Poly Film 682J ammo
2	C14, C16	.0047J	56-0004	.0047 uF Cap 50V 5% Poly Film 472J ammo
6	C18, C20, C21, C22, C23, C24	.015J	56-0007	.015 uF Cap 50V 5% Poly Film 153J ammo
4	C25, C26, C27, C28	.022J	56-0008	.022 uF Cap 50V 5% Poly Film 223J ammo
5	C29, C31, C33, C35, C78	.047J	56-0010	.047 uF Cap 50V 5% Stacked Metal Pet 473J ammo
2	C30, C32	.033J	56-0009	.033 uF Cap 50V 5% Poly Film 333J ammo
2	C34, C36	.068J	56-0011	.068 uF Cap 50V 5% Stacked Metal Pet 683J ammo
6	C37, C39, C41, C42, C43, C44	.15J	56-0013	.15 uF Cap 50V 5% Stacked Metal Pet 154J ammo
4	C38, C40, C104, C105	.10J	56-0012	.10 uF Cap 50V 5% Stacked Metal Pet 104J ammo
19	C45, C46, C47, C48, C50, C51, C52, C53, C54, C55, C56, C57, C62, C63, C64, C65, C93, C94, C95	.22J	56-0014	.22 uF Cap 50V 5% Stacked Metal Pet 224J ammo
2	C66, C68	.47J	56-0016	.47 uF Cap 50V 5% Stacked Metal Pet 474J ammo
3	C67, C83, C84	25PJD1	62-0001	25 pF Cap 50V 5% Ceramic Disc T&R
3	C69, C74, C91	470PMD1	62-0003	470 pF Cap 50V 20% Ceramic Disc T&R
2	C71, C72	1LLM50E1	60-0045-01	1.0 uF Cap 50V 20% Elect., LL T&R
2	C73, C98	50PJD1	62-0008	50 pF Cap 50V 5% Ceramic Disc T&R
5	C75, C76, C77, C79, C106	1M50E1	60-0044-01	1.0 uF Cap 50V -20/+20% Elect., T&R C&F
13	C80, C82, C88, C89, C90, C99, C102, R149, R160, R192, R280, R281, R282	OMIT	00-0000	This part has been omitted
6	C85, C86, C92, C96, C101, C107	22NPM25E1	60-0402	22 uF Cap 25V -20/+20% Elect. NP, T&R
1	C100	15PJD1	62-0007	15 pF Cap 50V 5% Ceramic Disc T&R
1	C108	820PMD1	62-0005	820 pF Cap 50V 20% Ceramic Disc T&R
19	D1, D2, D3, D4, D5, D6, D7, D8, D9, D10, D11, D12, D13, D14, D15, D16, D17, D18, D33	1N4148	70-0002	1N4148 Diode Silicon Switching, 75 Volts PIV
9	D19, D20, D21, D22, D23, D24, D29, D31, D32	LED702037	70-2037	LED Hi-Eff. RED, w/ .450 Molded Spacer
3	D25, D28, D30	LEDY702039	70-2039	LED Yellow, w/ .450 Molded Spacer
2	D26, D27	LEDG702038	70-2038	LED Green, w/ .450 Molded Spacer
35	H1, H2, H3, H4, H5, H6, H7, H8, H9, H10, H11, H12, H13, H14, H15, H16, H17, H18, H19, H20, H21, H22, H23, H24, H25, H26, H27, H28, H29, H30, H33, H36, H39, H42, H46	TPADA100	00-0000	T-Joint 100 Mil Wide pad for board edge, not a part

055284b0

11 H31,H32,H34,H35,H37,H38, TPADA50 00-0000 T-Joint 50 Mil Wide pad for board edge, not a part
H40,H41,H43,H44,H45

1 H47 PA1 00-0000 1 Pin Pad Pattern, Not a part

DOD Software

Page

dbx 20 SERIES EQ MAIN/SLIDER BOARD 80-5284 Revised: June 30, 1999

055284B0.000 Revision: B0

Bill Of Materials June 30, 1999 13:54:11

Quan	Reference	Part	SYMAN	Description
------	-----------	------	-------	-------------

35	HA1,HA2,HA3,HA4,HA5,HA6, HA7,HA8,HA9,HA10,HA11, HA12,HA13,HA14,HA15,HA16, HA17,HA18,HA19,HA20,HA21, HA22,HA23,HA24,HA25,HA26, HA27,HA28,HA29,HA30,HA33, HA36,HA39,HA42,HA46	TPADB100	00-0000	T-Joint 100 Mil Wide pad for board edge, not a part
11	HA31,HA32,HA34,HA35,HA37, HA38,HA40,HA41,HA43,HA44, HA45	TPADB50	00-0000	T-Joint 50 Mil Wide pad for board edge, not a part
2	P1,P3	50K420221	42-0221	50 K Trim Pot, Vertical Mount, AMMO
2	P2,P4	50K402138	40-2138	50 K "B" 16mm, Rot Pot, 15mm D shaft, 41 Click
31	P5,P6,P7,P8,P9,P10,P11, P12,P13,P14,P15,P16,P17, P18,P19,P20,P21,P22,P23, P24,P25,P26,P27,P28,P29, P30,P31,P32,P33,P34,P35	100K401002	40-1002	100 K "W" 45mm, Sld Pot, 15mm Shaft, CD
1	PA1	HDR322000	32-2000	26 Pin Hdr, 13x2, 0.1" spacing, 0.025 pins
1	PCB1	80-5284-B	80-5284-B	dbx 12/20 SERIES EQ MAIN PCB, RAW
1	Q1	2N4124	70-1009	2N4124 NPN, Gen. Purp. Amplifier/Switching Xstr T&R
4	Q2,Q8,Q9,Q10	2N4125	70-1008	2N4125 PNP, Gen. Purp. Amplifier/Switching Xstr
5	Q3,Q4,Q5,Q6,Q11	J112	70-1012	J112A JFET, National Only
1	Q7	2N6427	70-1150	2N6427 Darlington
7	R1,R72,R200,R206,R207, R210,R235	15.4K 1%	52-0096	15.4 KOhm Resistor 1% 1/4 Watt Metal Film
13	R2,R13,R29,R30,R42,R46, R60,R74,R86,R132,R140, R144,R248	20.0K 1%	52-0091	20.0 KOhm Resistor 1% 1/4 Watt Metal Film
3	R3,R70,R76	909 1%	52-0313	909 Ohm Resistor 1% 1/4 Watt Metal Film
2	R4,R40	1.15K 1%	52-2024	1.15 KOhm Resistor 1% 1/4 Watt Metal Film
4	R5,R39,R168,R254	31.6K 1%	52-0077	31.6 KOhm Resistor 1% 1/4 Watt Metal Film
10	R6,R24,R38,R64,R79,R222, R250,R252,R259,R265	40.2K 1%	52-0078	40.2 KOhm Resistor 1% 1/4 Watt Metal Film
25	R7,R8,R15,R22,R27,R34, R37,R44,R51,R54,R59,R66, R75,R80,R81,R88,R96,R97, R106,R109,R116,R120,R130, R131,R139	3.32K 1%	52-0174	3.32 KOhm Resistor 1% 1/4 Watt Metal Film
7	R9,R21,R35,R103,R178, R249,R251	44.2K 1%	52-0024	44.2 KOhm Resistor 1% 1/4 Watt Metal Film
2	R10,R237	34.0K 1%	52-0081	34.0 KOhm Resistor 1% 1/4 Watt Metal Film
2	R11,R62	1.21K 1%	52-0202	1.21 KOhm Resistor 1% 1/4 Watt Metal Film
12	R12,R47,R85,R145,R169, R175,R182,R186,R219,R226, R231,R241	1.00K 1%	52-0133	1.00 KOhm Resistor 1% 1/4 Watt Metal Film
9	R14,R28,R43,R45,R57,R58, R61,R73,R87	16.9K 1%	52-0048	16.9 KOhm Resistor 1% 1/4 Watt Metal Film

055284b0

2	R16,R90	27.4K 1%	52-0085	27.4 KOhm Resistor	1%	1/4	Watt Metal Film
5	R17,R171,R172,R184,R187	22.6K 1%	52-0088	22.6 KOhm Resistor	1%	1/4	Watt Metal Film
1	R18	1.54K 1%	52-0143	1.54 KOhm Resistor	1%	1/4	Watt Metal Film
7	R19,R152,R155,R165,R167, R176,R177	1.37K 1%	52-0130	1.37 KOhm Resistor	1%	1/4	Watt Metal Film

DOD Software

dbx 20 SERIES EQ MAIN/SLIDER BOARD 80-5284 Revised: June 30, 1999

Page

055284B0.000

Revision: B0

Bill Of Materials

June 30, 1999

13:54:11

Quan Reference

Part

SYMAN

Description

5	R20,R94,R102,R238,R267	54.9K 1%	52-0075	54.9 KOhm Resistor	1%	1/4	Watt Metal Film
7	R23,R49,R83,R91,R246, R255,R266	34.8K 1%	52-0031	34.8 KOhm Resistor	1%	1/4	Watt Metal Film
2	R25,R63	1.05K 1%	52-0207	1.05 KOhm Resistor	1%	1/4	Watt Metal Film
2	R26,R77	1.18K 1%	52-0134	1.18 KOhm Resistor	1%	1/4	Watt Metal Film
3	R31,R71,R205	12.4K 1%	52-0102	12.4 KOhm Resistor	1%	1/4	Watt Metal Film
3	R32,R48,R84	1.30K 1%	52-2028	1.30 KOHM Resistor	1%	1/4	Watt Metal Film
2	R33,R69	750 1%	52-0321	750 Ohm Resistor	1%	1/4	Watt Metal Film
4	R36,R67,R253,R260	25.5K 1%	52-0038	25.5 KOhm Resistor	1%	1/4	Watt Metal Film
2	R41,R55	931 1%	52-2018	931 Ohm Resistor	1%	1/4	Watt Metal Film
4	R50,R82,R257,R264	43.2K 1%	52-0025	43.2 KOhm Resistor	1%	1/4	Watt Metal Film
4	R52,R78,R256,R263	33.2K 1%	52-0082	33.2 KOhm Resistor	1%	1/4	Watt Metal Film
4	R53,R65,R258,R261	35.7K 1%	52-2157	35.7 KOhm Resistor	1%	1/4	Watt Metal Film
1	R56	1.10K 1%	52-0205	1.10 KOhm Resistor	1%	1/4	Watt Metal Film
3	R68,R137,R262	30.1K 1%	52-0083	30.1 KOhm Resistor	1%	1/4	Watt Metal Film
6	R89,R104,R105,R107,R108, R124	1.96K 1%	52-0142	1.96 KOhm Resistor	1%	1/4	Watt Metal Film
1	R92	1.62K 1%	52-0131	1.62 KOhm Resistor	1%	1/4	Watt Metal Film
7	R93,R121,R133,R215,R224, R230,R233	2.00K 1%	52-0186	2.00 KOhm Resistor	1%	1/4	Watt Metal Film
3	R95,R110,R269	69.8K 1%	52-0012	69.8 KOhm Resistor	1%	1/4	Watt Metal Film
2	R98,R268	110K 1%	52-0301	110 KOhm Resistor	1%	1/4	Watt Metal Film
3	R99,R111,R270	88.7K 1%	52-0003	88.7 KOhm Resistor	1%	1/4	Watt Metal Film
2	R100,R216	3.24K 1%	52-0124	3.24 KOhm Resistor	1%	1/4	Watt Metal Film
1	R101	2.55K 1%	52-0140	2.55 KOhm Resistor	1%	1/4	Watt Metal Film
2	R112,R229	4.02K 1%	52-0121	4.02 KOhm Resistor	1%	1/4	Watt Metal Film
5	R113,R179,R180,R190,R191	4.99K 1%	52-0165	4.99 KOhm Resistor	1%	1/4	Watt Metal Film
2	R114,R271	140K 1%	52-0291	140 KOhm Resistor	1%	1/4	Watt Metal Film
2	R115,R272	182K 1%	52-0280	182 KOhm Resistor	1%	1/4	Watt Metal Film
16	R117,R123,R125,R126,R127, R129,R134,R138,R141,R148, R156,R158,R194,R195,R218, R244	10.0K 1%	52-0107	10.0 KOhm Resistor	1%	1/4	Watt Metal Film
2	R118,R273	102K 1%	52-0304	102 KOhm Resistor	1%	1/4	Watt Metal Film
2	R119,R228	3.01K 1%	52-0125	3.01 KOhm Resistor	1%	1/4	Watt Metal Film
1	R122	51.1K 1%	52-0019	51.1 KOhm Resistor	1%	1/4	Watt Metal Film
2	R128,R217	12.1K 1%	52-0103	12.1 KOhm Resistor	1%	1/4	Watt Metal Film
3	R135,R136,R143	200 1%	52-0376	200 Ohm Resistor	1%	1/4	Watt Metal Film
1	R142	13.3K 1%	52-0053	13.3 KOhm Resistor	1%	1/4	Watt Metal Film
5	R146,R147,R162,R242,R243	47K	50-0030	47 KOhm Resistor	5%	1/4	Watt Carbon Film
6	R150,R163,R196,R197,R212, R220	100K 1%	52-0305	100 KOhm Resistor	1%	1/4	Watt Metal Film
1	R151	191K 1%	52-0278	191 KOhm Resistor	1%	1/4	Watt Metal Film
1	R153	24.9K 1%	52-0039	24.9 KOhm Resistor	1%	1/4	Watt Metal Film
1	R154	2.2M	50-0282	2.2 MOhm Resistor	5%	1/4	Watt Carbon Film

055284b0

2	R157,R164	560K	50-0269	560	KOhm Resistor	5%	1/4	Watt Carbon Film
2	R159,R239	22M	50-0307	22	MOhm Resistor	5%	1/4	Watt Carbon Film
1	R161	20	50-0157	20	Ohm Resistor	5%	1/4	Watt Carbon Film
1	R166	0	50-0050	0	Ohm Resistor	5%	1/4	Watt Carbon Film
4	R170,R174,R183,R185	4.32K 1%	52-0167	4.32	KOhm Resistor	1%	1/4	Watt Metal Film
2	R173,R188	20.0 1%	52-2000	20.0	Ohm Resistor	1%	1/4	Watt Metal Film
1	R181	46.4K 1%	52-0022	46.4	KOhm Resistor	1%	1/4	Watt Metal Film

DOD Software

dbx 20 SERIES EQ MAIN/SLIDER BOARD 80-5284 Revised: June 30, 1999

055284B0.000

Revision: B0

Bill Of Materials

June 30, 1999

13:54:11

Quan Reference

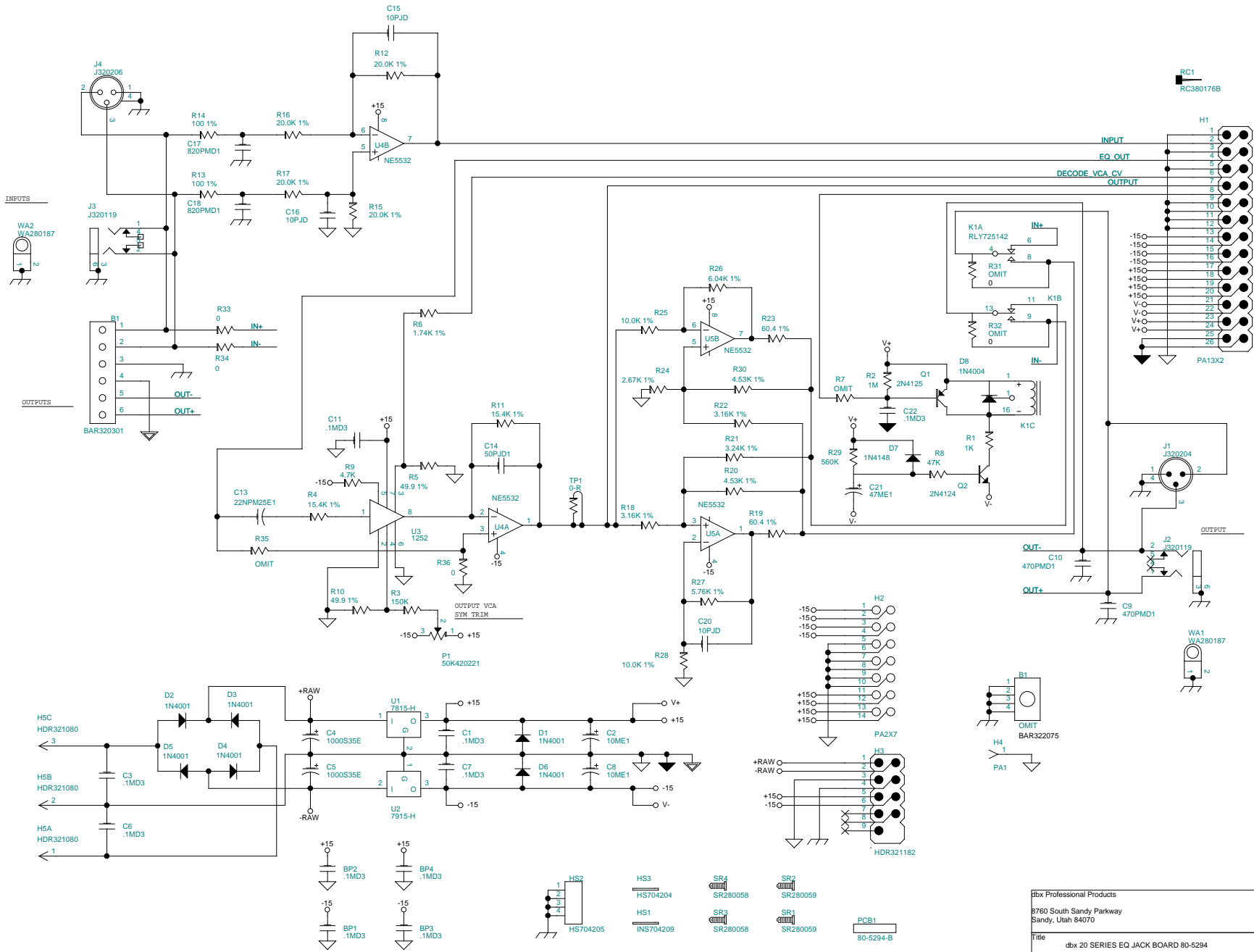
Part

SYMAN

Description

Page

1	R189	220K	50-0040	220	KOhm Resistor	5%	1/4	Watt Carbon Film
1	R193	16.2K 1%	52-0095	16.2	KOhm Resistor	1%	1/4	Watt Metal Film
1	R198	18.2K 1%	52-0093	18.2	KOhm Resistor	1%	1/4	Watt Metal Film
1	R199	71.5K 1%	52-0011	71.5	KOhm Resistor	1%	1/4	Watt Metal Film
1	R201	150K	50-0038	150	KOhm Resistor	5%	1/4	Watt Carbon Film
1	R202	4.7K	50-0015	4.7	KOhm Resistor	5%	1/4	Watt Carbon Film
1	R203	1.74K 1%	52-0190	1.74	KOhm Resistor	1%	1/4	Watt Metal Film
2	R204,R209	49.9 1%	52-2006	49.9	Ohm Resistor	1%	1/4	Watt Metal Film
1	R208	2.00M 1% M	52-1787	2.00	MOhm Resistor	1%	1/8	Watt Metal Film Mini
4	R211,R223,R227,R245	3.3K	50-0014	3.3	KOhm Resistor	5%	1/4	Watt Carbon Film
1	R213	221K 1%	52-0272	221	KOhm Resistor	1%	1/4	Watt Metal Film
1	R214	2M	50-0046	2	MOhm Resistor	5%	1/4	Watt Carbon Film
1	R221	470K	50-0042	470	KOhm Resistor	5%	1/4	Watt Carbon Film
1	R225	56.2K 1%	52-0065	56.2	KOhm Resistor	1%	1/4	Watt Metal Film
1	R232	18K	50-0022	18	KOhm Resistor	5%	1/4	Watt Carbon Film
1	R234	6.8K	50-0016	6.8	KOhm Resistor	5%	1/4	Watt Carbon Film
1	R236	330K	50-0041	330	KOhm Resistor	5%	1/4	Watt Carbon Film
1	R240	1M	50-0045	1	MOhm Resistor	5%	1/4	Watt Carbon Film
1	R247	100	50-0003	100	Ohm Resistor	5%	1/4	Watt Carbon Film
4	SC1,SC2,SC3,SC4	SC340125	34-0125		Switch Cap, Black			
4	SW1,SW2,SW3,SW4	SW440050	44-0050		Mini In/Out DPDT Switch (6 Pin) E-Switch			
3	TP1,TP2,TP3	0-R	50-0317	0	Ohm Resistor	5%	1/4	Watt Carbon Film Radial T&R
18	U1,U2,U3,U4,U5,U6,U7,U8, U9,U10,U11,U12,U13,U14, U15,U16,U23,U24	NJM4560	72-4059		NJM4560 Dual Op-Amp			
3	U17,U18,U22	TL074	72-4021		Quad JFet-Input Op-Amp			
1	U19	CA3046D	72-4321		CA3046 Matched Transistor Pairs BPO			
1	U20	1253	72-4067		RMS Detector,dbx UPC1253HA2 NEC			
1	U21	MC33078	72-4248		Dual OP-AMP			
1	U25	1252	72-4062		VCA, dbx UPC1252HA2 NEC Ungraded			
2	U26,U27	LM339	72-4053		Quad Comparator			
1	U28	LM393	72-4049		LM393 Low Power, Low Offset Voltage, Dual Comparat			



dbx Professional Products	
8760 South Sandy Parkway Sandy, Utah 84070	
Title dbx 20 SERIES EQ JACK BOARD 80-5294	
Size B	Document Number 055294B0.001
Date: Monday, October 25, 1999	Sheet 1 of 1
	Rev B0

Quan	Reference	Part	SYMAN	Description
5	B1,R7,R31,R32,R35	OMIT	00-0000	This part has been omitted
1	B2	BAR320301	32-0301	6 Position Barrier Strip, PCB Mount
10	BP1,C1,BP2,BP3,C3,BP4,C6, C7,C11,C22	.1MD3	62-0060	.1 uF Cap 50V 20% Ceramic AXL
2	C2,C8	10ME1	60-0049-01	10 uF Cap 16V -20/+20% Elect.,-D Ammo
2	C4,C5	1000S35E	60-0063	1000 uF Cap 35V -20/+80% Elect
2	C9,C10	470PMD1	62-0003	470 pF Cap 50V 20% Ceramic Disc T&R
1	C13	22NPM25E1	60-0402	22 uF Cap 25V -20/+20% Elect. NP , T&R
1	C14	50PJD1	62-0008	50 pF Cap 50V 5% Ceramic Disc T&R
3	C15,C16,C20	10PJD	62-0013	10 pF Cap 50V 5% Ceramic Disc
2	C17,C18	820PMD1	62-0005	820 pF Cap 50V 20% Ceramic Disc T&R
1	C21	47ME1	60-0054-01	47 uF Cap 16V -20/+20% Elect., T&R, 5X8mm body
6	D1,D2,D3,D4,D5,D6	1N4001	70-0001	1N4001 Silicon Rectifier, 1 Amp, 50 Volts PIV
1	D7	1N4148	70-0002	1N4148 Diode Silicon Switching, 75 Volts PIV
1	D8	1N4004	70-0009	1N4004 Rect 1A 400V
1	H1	PA13X2	00-0000	13X2 Pin Pad Pattern, Not a part
1	H2	PA2X7	00-0000	2X7 Pin Pad Pattern, Not a part
1	H3	HDR321182	32-1182	9 Pin Hdr, 5X2, Straight, .23", 0.1" spacing
1	H4	PA1	00-0000	1 Pin Pad Pattern, Not a part
1	H5	HDR321080	32-1080	3 Pin Header, 0.1" spacing, 0.025" sq pins, Locking
1	HS1	INS704209	70-4209	Insulator, 3 Regulator Heatsink
1	HS2	HS704205	70-4205	Heatsink, L-Shape Base
1	HS3	HS704204	70-4204	Heatsink, 3 Regulator, Top
1	J1	J320204	32-0204	XLR Male, R/A PC Mount A Series
2	J2,J3	J320119	32-0119	1/4 Phone Jack, Hor. Mount, Full Nose Thread Slimline
1	J4	J320206	32-0206	XLR Female, R/A PC Mount Latching A Series
1	K1	RLY725142	72-5142	DPDT Relay Switch, 24VDC Polarized
1	P1	50K420221	42-0221	50 K Trim Pot, Vertical Mount, AMMO
1	PCB1	80-5294-B	80-5294-B	dbx 12/20 SERIES EQ JACK PCB, RAW
1	Q1	2N4125	70-1008	2N4125 PNP, Gen. Purp. Amplifier/Switching Xstr
1	Q2	2N4124	70-1009	2N4124 NPN, Gen. Purp. Amplifier/Switching Xstr T&R
1	R1	1K	50-0012	1 KOhm Resistor 5% 1/4 Watt Carbon Film
1	R2	1M	50-0045	1 MOhm Resistor 5% 1/4 Watt Carbon Film
1	R3	150K	50-0038	150 KOhm Resistor 5% 1/4 Watt Carbon Film
2	R4,R11	15.4K 1%	52-0096	15.4 KOhm Resistor 1% 1/4 Watt Metal Film
2	R5,R10	49.9 1%	52-2006	49.9 Ohm Resistor 1% 1/4 Watt Metal Film
1	R6	1.74K 1%	52-0190	1.74 KOhm Resistor 1% 1/4 Watt Metal Film
1	R8	47K	50-0030	47 KOhm Resistor 5% 1/4 Watt Carbon Film
1	R9	4.7K	50-0015	4.7 KOhm Resistor 5% 1/4 Watt Carbon Film
4	R12,R15,R16,R17	20.0K 1%	52-0091	20.0 KOhm Resistor 1% 1/4 Watt Metal Film
2	R13,R14	100 1%	52-0400	100 Ohm Resistor 1% 1/4 Watt Metal Film
2	R18,R22	3.16K 1%	52-0132	3.16 KOhm Resistor 1% 1/4 Watt Metal Film
2	R19,R23	60.4 1%	52-0450	60.4 Ohm Resistor 1% 1/4 Watt Metal Film
2	R20,R30	4.53K 1%	52-0119	4.53 KOhm Resistor 1% 1/4 Watt Metal Film
1	R21	3.24K 1%	52-0124	3.24 KOhm Resistor 1% 1/4 Watt Metal Film
1	R24	2.67K 1%	52-0178	2.67 KOhm Resistor 1% 1/4 Watt Metal Film
2	R25,R28	10.0K 1%	52-0107	10.0 KOhm Resistor 1% 1/4 Watt Metal Film
1	R26	6.04K 1%	52-0115	6.04 KOhm Resistor 1% 1/4 Watt Metal Film
1	R27	5.76K 1%	52-0116	5.76 KOhm Resistor 1% 1/4 Watt Metal Film

055294b0

1	R29	560K	50-0269	560	KOhm Resistor	5%	1/4	Watt Carbon Film
3	R33,R34,R36	0	50-0050	0	Ohm Resistor	5%	1/4	Watt Carbon Film
1	RC1	RC380176B	38-0176-B	26	Pin Ribbon Cable, Connector, 13x2, .1 spacing,			

DOD Software

Page

dbx 20 SERIES EQ JACK BOARD 80-5294 Revised: July 1, 1999

055294B0.000

Revision: B0

Bill Of Materials

July 9, 1999 11:08:49

Quan Reference

Part SYMAN Description

2	SR1,SR2	SR280059	28-0059		Screw, 6-32 x 1/4", Pozi, Pan, Black			
2	SR3,SR4	SR280058	28-0058		Screw, 6-32 x 3/8", Pozi, Pan, Black			
1	TP1	0-R	50-0317	0	Ohm Resistor	5%	1/4	Watt Carbon Film Radial T&R
1	U1	7815-H	70-4123	7815	+15 Volt 1 A Voltage Regulator			TO-220 HORIZ
1	U2	7915-H	70-4124	7915	-15 Volt 1 A Voltage Regulator			TO-220 HORIZ
1	U3	1252	72-4062		VCA, dbx UPC1252HA2 NEC Ungraded			
2	U4,U5	NE5532	72-4316		5532 Low Noise Dual Op-Amp			
2	WA1,WA2	WA280187	28-0187-A		Washer, for grounding J320119			