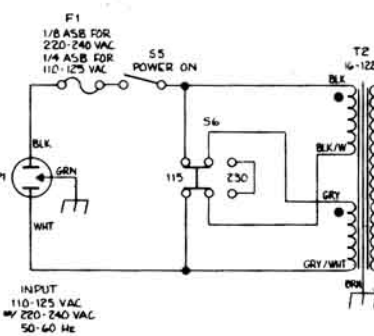


6. F.S. INDICATES FACTORY SELECT PART
 5. F.P. INDICATES FRONT PANEL
 4. ∇ INDICATES CHASSIS GROUND
 3. ∇ INDICATES AUDIO GROUND
 2. CAPACITOR VALUES ARE IN MICROFARADS
 1. RESISTOR VALUES ARE IN OHMS \pm 5% 1/2 W
- NOTES: UNLESS OTHERWISE SPECIFIED



INPUT
110-125 VAC
220-240 VAC
50-60 Hz

UNLESS OTHERWISE SPECIFIED DIMENSIONS ARE IN INCHES TOLERANCES ARE:		CONTRACT NO.	
FRACTIONS	DECIMALS	APPROVALS	DATE
XX	.XX	DRAWN	10-27-76
ASX	.X	CHECKED	
MATERIAL		UNITED RECORDING ELECTRONICS INDUSTRY 1785 WILSON STREET, NO. HOLLYWOOD, CALIFORNIA 91601	
FINISH		SCHEMATIC COMPRESSOR / LIMITER	
NEXT ASSY	USED ON	SIZE	MODEL NO.
APPLICATION	DO NOT SCALE DRAWING	D	LA 4
		DRAWING NO.	12647
		SCALE	SHEET 1 OF 1