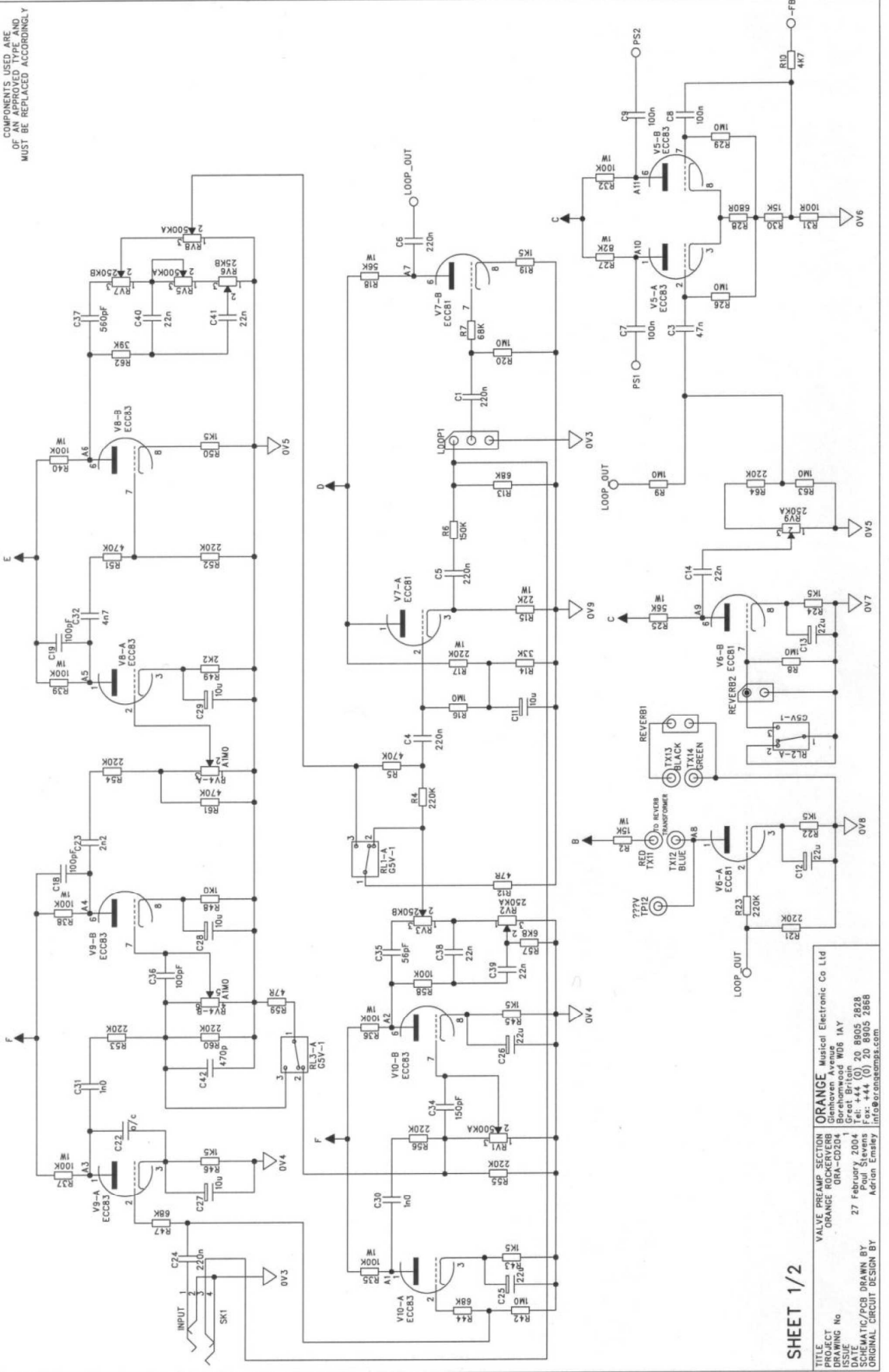


ORANGE ROCKERVERB - MAIN PREAMP PCB

PREAMP 1 & 2, LOOP, REVERB & PHASE SPLITTER



COMPONENTS USED ARE OF AN APPROVED TYPE AND MUST BE REPLACED ACCORDINGLY

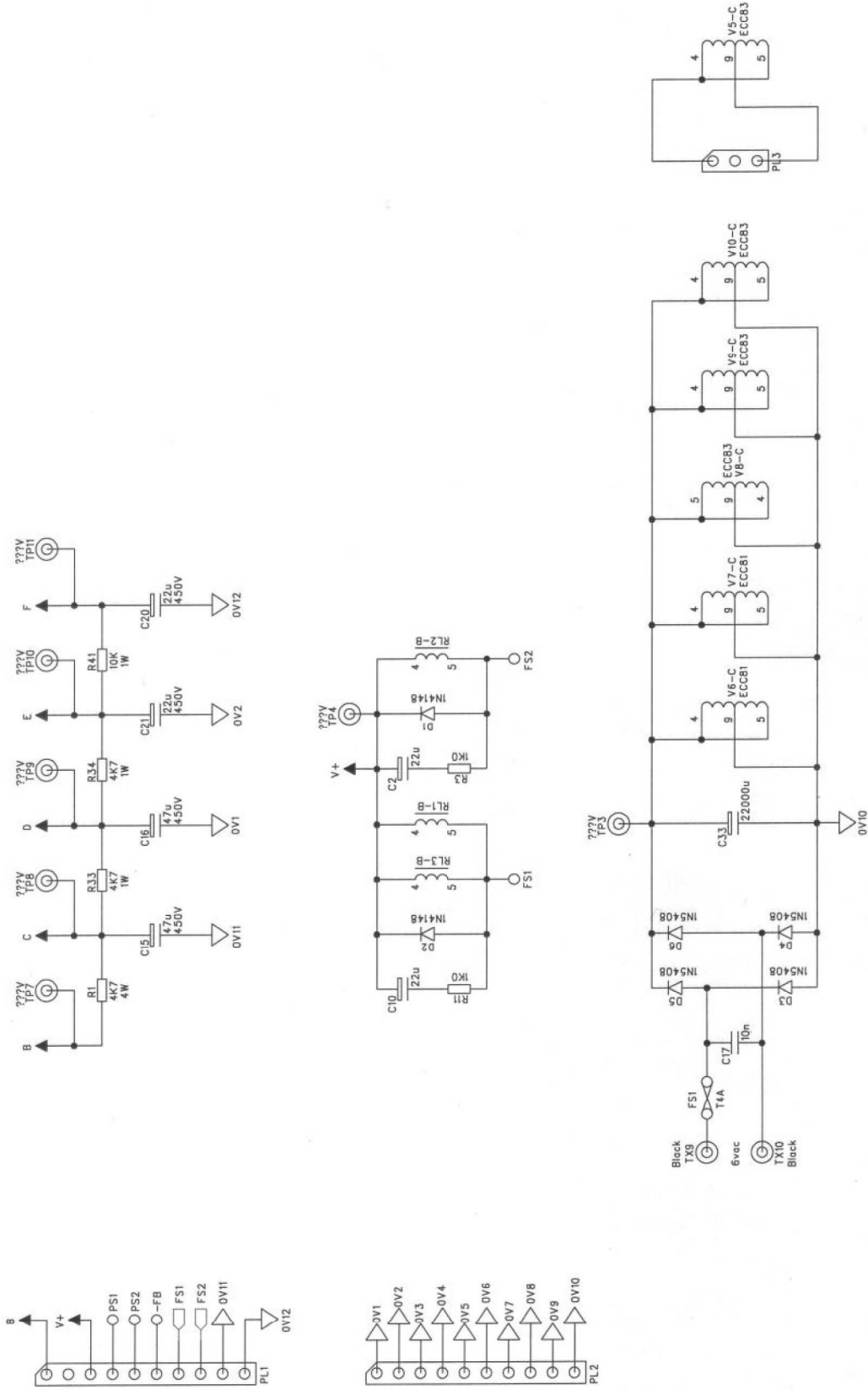


TITLE VALVE PREAMP SECTION
 ORANGE ROCKERVERB
 DRAWING No ORA-CD204-1
 ISSUE 1
 DATE 27 February 2004
 SCHEMATIC/PCB DRAWN BY Paul Stevens
 ORIGINAL CIRCUIT DESIGN BY Adrian Emsley

ORANGE Musical Electronic Co Ltd
 Borehamwood WUD 1AY
 Tel: +44 (0) 20 8905 2828
 Fax: +44 (0) 20 8905 2868
 info@orangeamps.com



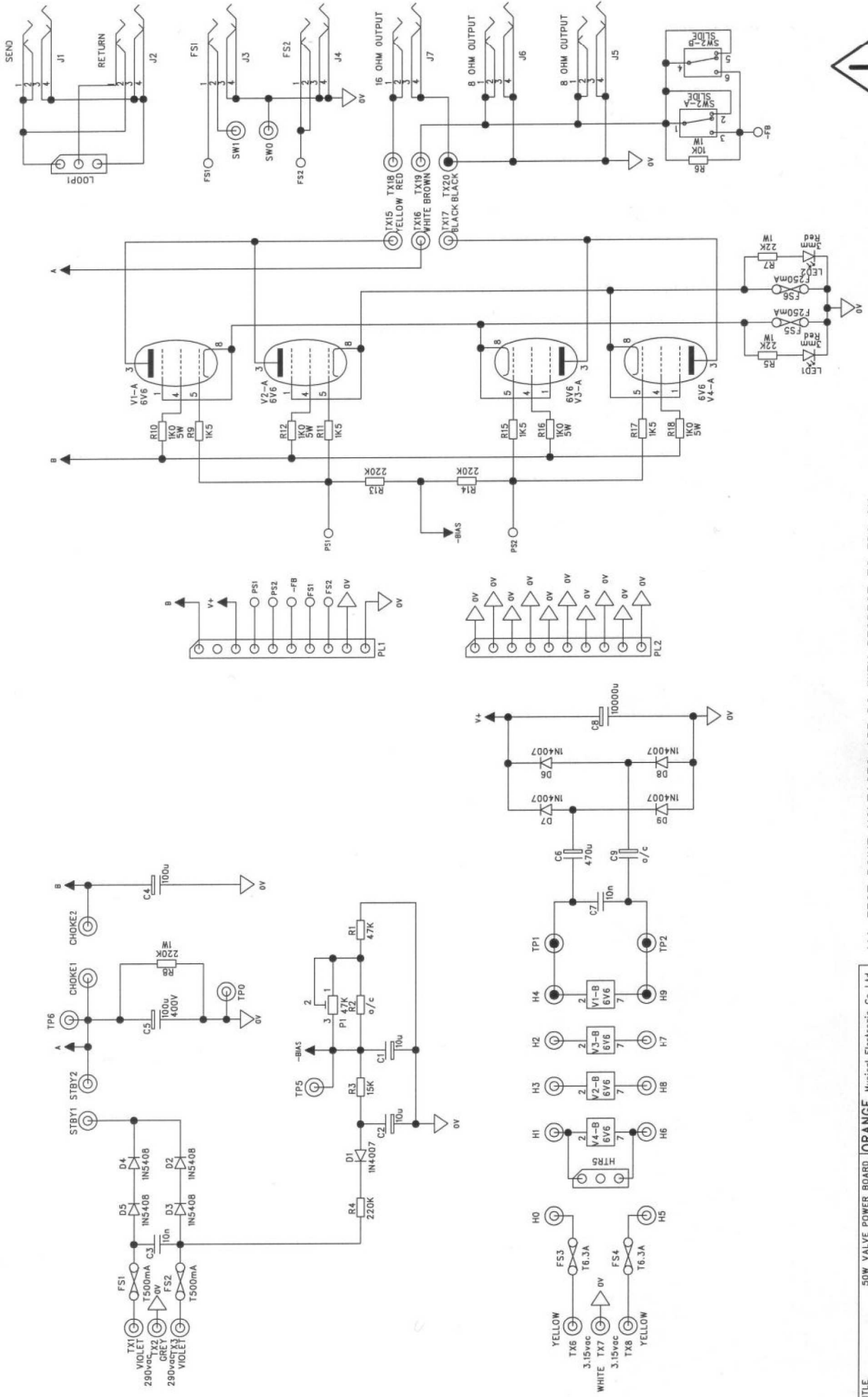
COMPONENTS USED ARE OF AN APPROVED TYPE AND MUST BE REPLACED ACCORDINGLY



TITLE SUPPLIES, HEATERS, RELAYS
 PROJECT ORANGE
 DRAWING No ORA-CD204
 ISSUE 1
 DATE 27 February 2004
 SCHEMATIC/PCB DRAWN BY Paul Stevens
 ORIGINAL CIRCUIT DESIGN BY Adrian Embley
 info@orangeamps.com

ORANGE Musical Electronic Co Ltd
 Glenhaven Avenue
 Glenhaston Road W86 1AY
 Green Bridge
 Tel: +44 (0) 20 8905 2828
 Fax: +44 (0) 20 8905 2868

ORANGE ROCKERVERB 50W POWER BOARD



COMPONENTS USED ARE OF AN APPROVED TYPE AND MUST BE REPLACED ACCORDINGLY

ALL TEST POINT VOLTAGES ARE DC WITH RESPECT TO TP0 0V EXCEPT WHERE OTHERWISE INDICATED. BIAS SET FULLY ANTI-CW TOLERANCE +/- 10%

50W VALVE POWER BOARD
 PROJECT ORANGE ROCKERVERB
 DRAWING ORA-CD206
 ISSUE 1.1
 DATE 10 March 2004
 DRAWN BY Paul Stevens
 ORIGINAL CIRCUIT DESIGN BY Adrian Embley
 info@orangeamps.com

ORANGE Musical Electronic Co Ltd
 Glenrover Avenue
 WDB 1AY
 Great Britain
 Tel: +44 (0) 20 8905 2828
 Fax: +44 (0) 20 8905 2868