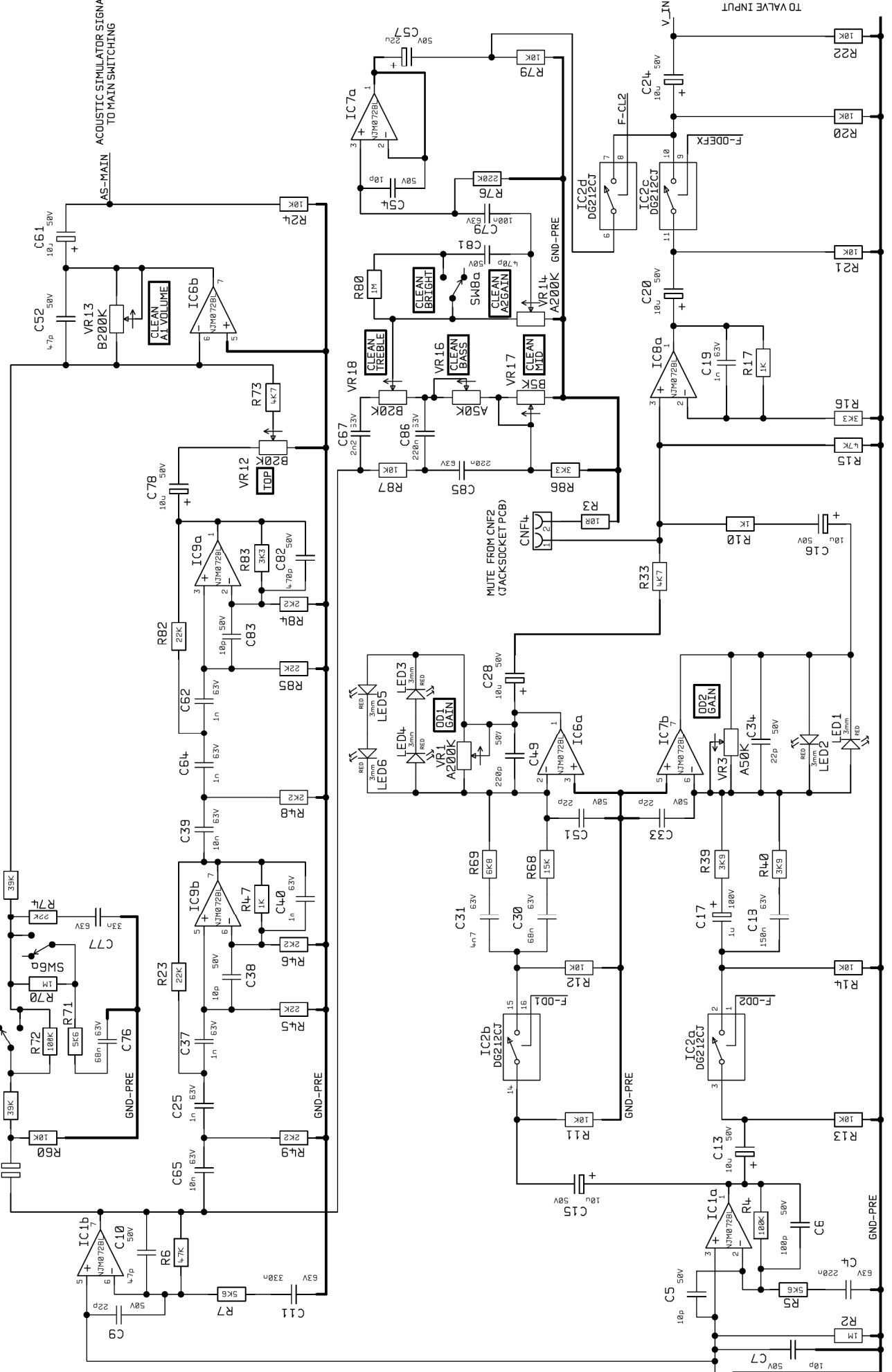


NOTE:- UNLESS OTHERWISE STATED ALL RESISTORS ARE 1/8W



DIMENSIONS IN		TOLERANCE (UNLESS OTHERWISE STATED)	
MATERIAL	MATERIAL THICKNESS	DRAWN	DATE
	RSB		12/09/00
CHECKED	DATE	DATE	MODEL
APPROVED	DATE	DATE	AVT150/AVT150H/AVT275
ALL OTHER HOLES =		X = (THROUGH PLATED)	
2005	28/06/01	A	E
3	24/10/00	B	F
2	22/09/00	C	G
ISS	ECO NUMBER	DATE	

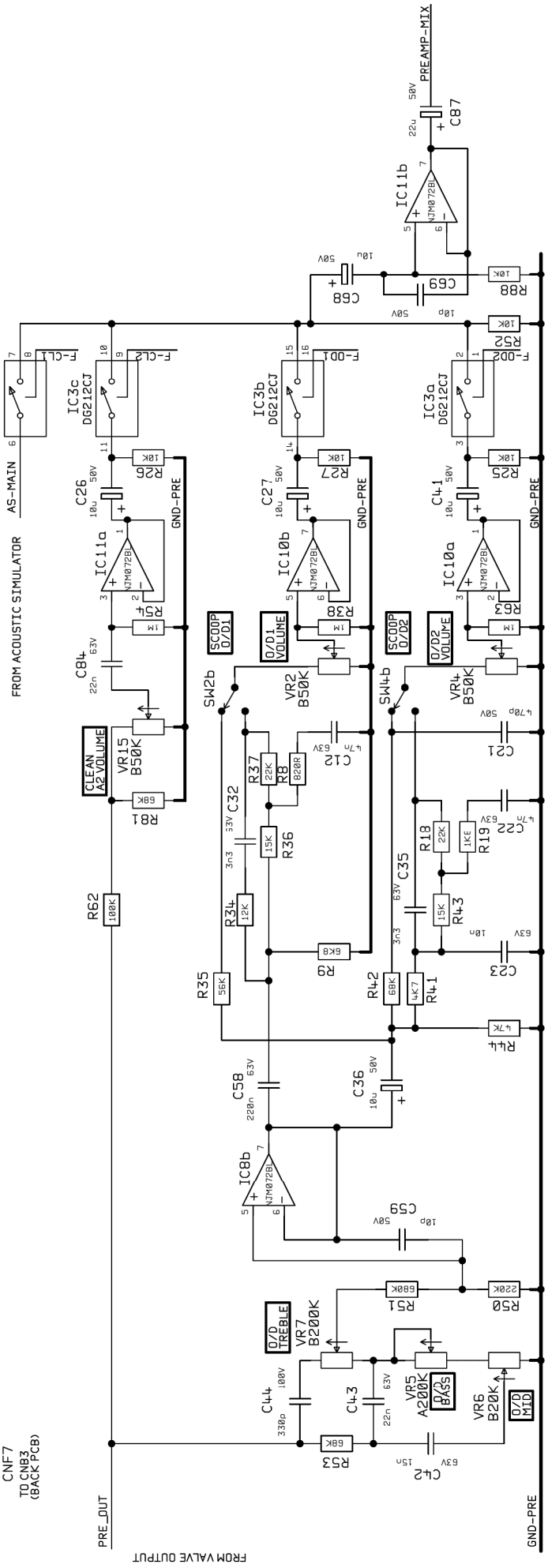


TITLE: FRONT PCB
 CIRCUIT DIAGRAM
 DMG.No. AVT150-60-02
 SHEET 1 OF 4

NOTE:- UNLESS OTHERWISE STATED ALL RESISTORS ARE 1/8W

- F-002
- F-001
- F-CL1
- F-CL2
- F+5V
- F-CLDFX
- F-00DFX
- F-00DFX
- F-CLEFX

CNF7
TO CNB3
(BACK PCB)



TITLE
FRONT PCB
CIRCUIT DIAGRAM
DWG.No AVT150-60-02
ISS SHEET 2 OF 4

DIMENSIONS IN	
TOLERANCE (UNLESS OTHERWISE STATED)	

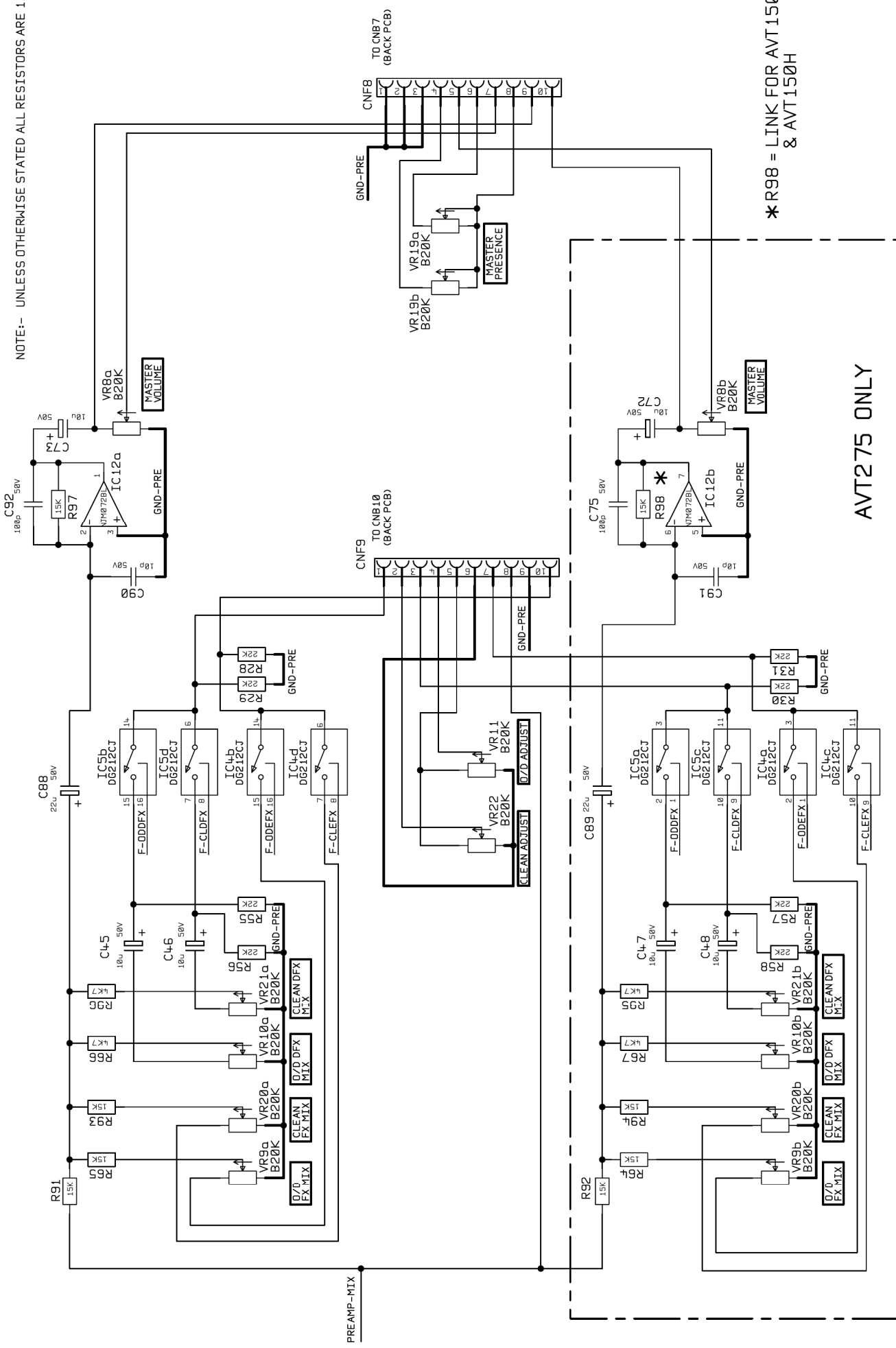
MATERIAL	DATE	DATE	DATE
BRAIN RSB	12/09/08		
CHECKED			
APPROVED			

X = (THROUGH PLATED)	
N	P
K	L
M	R

ALL OTHER HOLES =	
A	E
B	F
C	G
D	H

2005	28/06/01								
1920	24/10/00								
	22/09/00								
ISS	ECO NUMBER	DATE							

NOTE:- UNLESS OTHERWISE STATED ALL RESISTORS ARE 1/8W



*R98 = LINK FOR AVT150 & AVT150H

AVT275 ONLY

TITLE FRONT PCB
CIRCUIT DIAGRAM
DMG.No AVT150-60-02
SHEET 3 OF 4



MARSHALL AMPLIFICATION PLC
GENERAL TEL: 01380 375111 FAX: 01380 376111

DIMENSIONS IN TOLERANCE (UNLESS OTHERWISE STATED)

MATERIAL	DATE
DRAWN RSB	12/09/00
CHECKED	DATE
APPROVED	DATE

MODEL AVT150/AVT150H/AVT275

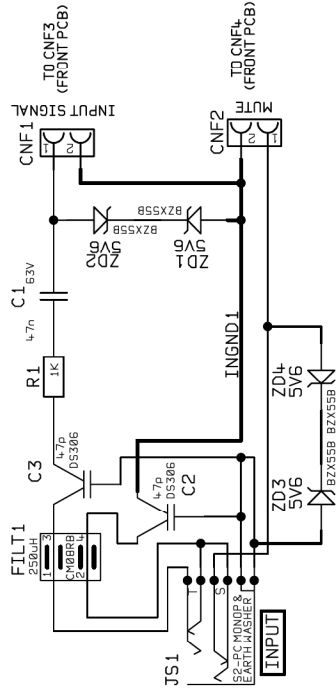
ALL OTHER HOLES = X = (THROUGH PLATED)

A	E	I	N
B	F	J	O
C	G	K	P
D	H	L	Q
	M		R

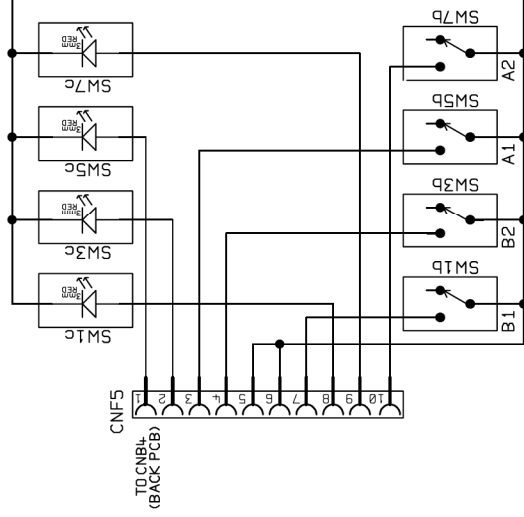
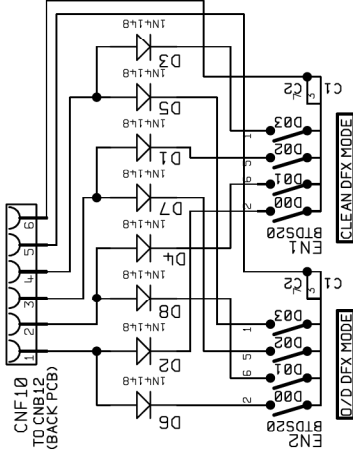
4	2005	26/06/01
3	1920	24/10/00
2		22/09/00
1SS	ECC NUMBER	DATE

NOTE:- UNLESS OTHERWISE STATED ALL RESISTORS ARE 1/8W

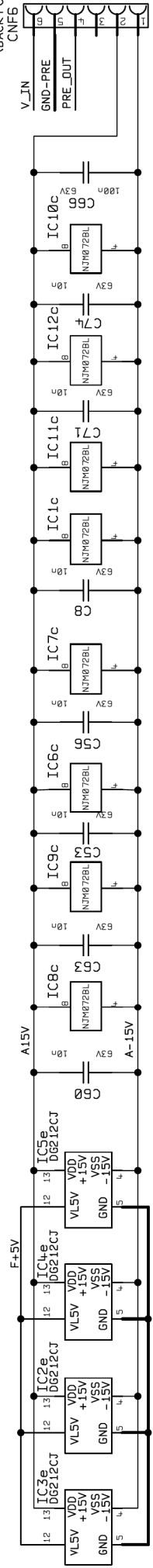
JACKSOCKET PCB



ENCODER PCB



TO CNB2
(BACK PCB)
CNF6



ALL OTHER HOLES = X = (THROUGH PLATED)									
4	2005	28/06/01	A	E	J	N	N	N	N
3		21/10/02	B	F	K	P	P	P	P
2		22/03/02	C	G	L	Q	Q	Q	Q
ISS	ECO NUMBER	DATE	D	H	M	R	R	R	R
MATERIAL		DIMENSIONS IN		TOLERANCE (UNLESS OTHERWISE STATED)					
MATERIAL THICKNESS		DRAWN RSB		DATE 12/09/00					
CHECKED		DATE		MODEL					
APPROVED		DATE		AVT150/AVT150H/AVT275					
TITLE FRONT PCB CIRCUIT DIAGRAM DMG.No AVT150-60-02 SHEET 4 OF 4 ISS 4									



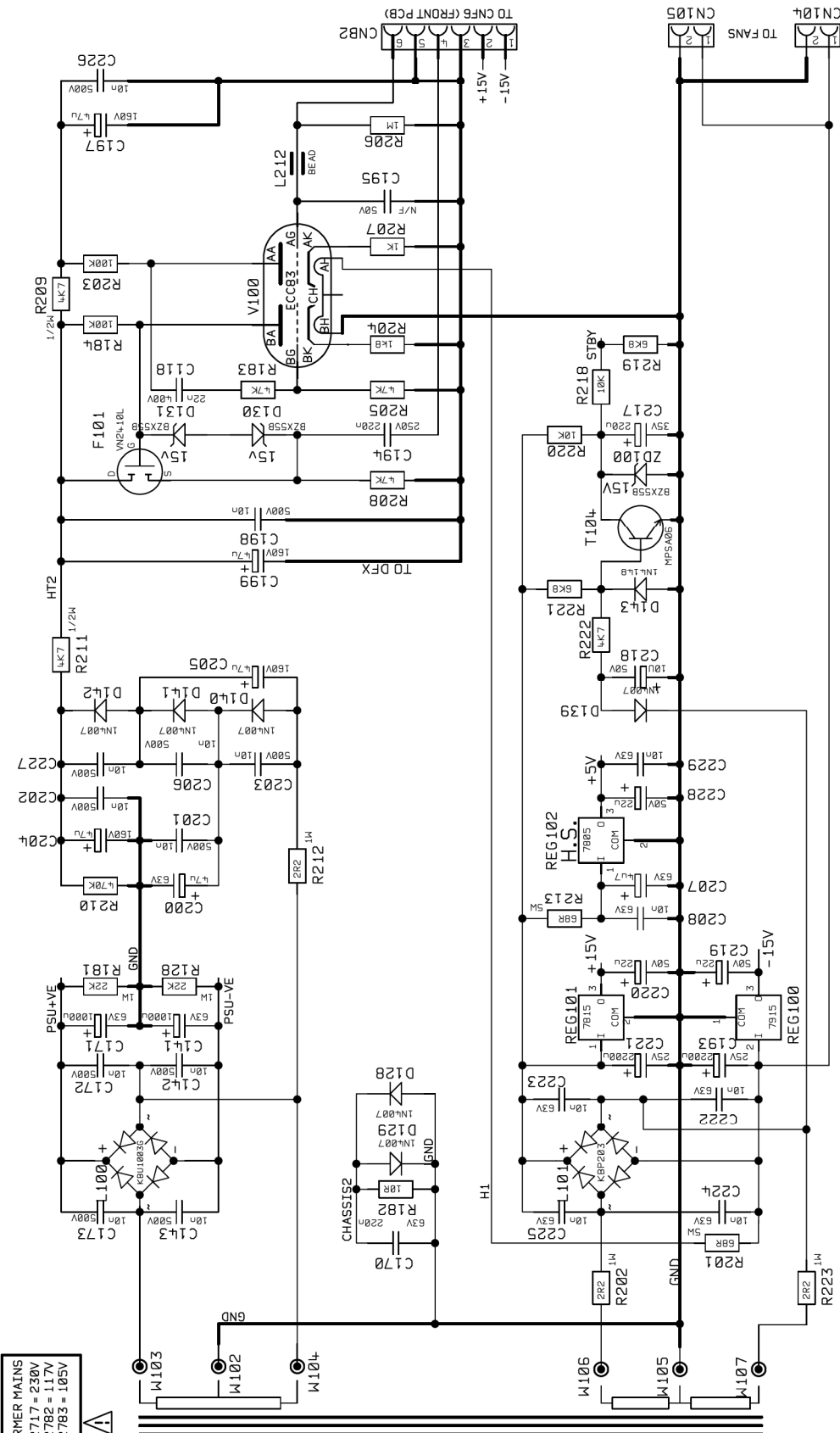
SAFETY CRITICAL COMPONENTS
COMPONENTS MUST BE REPLACED
WITH THE SAME TYPE AND
RATING ONLY.

TRANSFORMER MAINS
TYPE D2717 = 230V
TYPE D2782 = 117V
TYPE D2785 = 185V

MAINS SWITCH
PART NO
240V AN1831300000
120V AN1831300000

T2A L = 230V
T4A L = 120V

PART NUMBER
06551



TITLE		BACK PCB CIRCUIT		SHEET OF 4	
DWG.No		AVT150-61-02		155	
MATERIAL		DIMENSIONING IN		TOLERANCE (UNLESS OTHERWISE STATED)	
DRAWN		DATE		DATE	
A.G.		15-8-00		AVT150/AVT150H	
CHECKED		DATE		DATE	
APPROVED		DATE		DATE	
M		R		R	
J		N		R	
K		P		R	
L		Q		R	
M		R		R	
H		R		R	
G		R		R	
F		R		R	
E		R		R	
D		R		R	
C		R		R	
B		R		R	
A		R		R	
ALL OTHER HOLES =		X = (THROUGH PLATED)		DATE	
1936		23-10-2000		DATE	
1918		19-9-2000		DATE	
ISS		ECO NUMBER		DATE	
3		155		3	



© MARSHALL APPLICACIONES S.A. 1994
TEL: 013880 375-11 FAX: 013880 376-118

DWG.No. AVT150-61-02

AVT275 ONLY

TITLE
BACK PCB CIRCUIT
SHT 2 OF 4
ISS
DWG.No AVT150-61-02

MARSHALL APPLICATION PLC
DENBIGH ROAD, BLETCHLEY, MILTON KEYNES, MK1 1BL
TEL: 01235 73411 FAX: 01235 731118

DIMENSIONS IN
TOLERANCE (UNLESS OTHERWISE STATED)

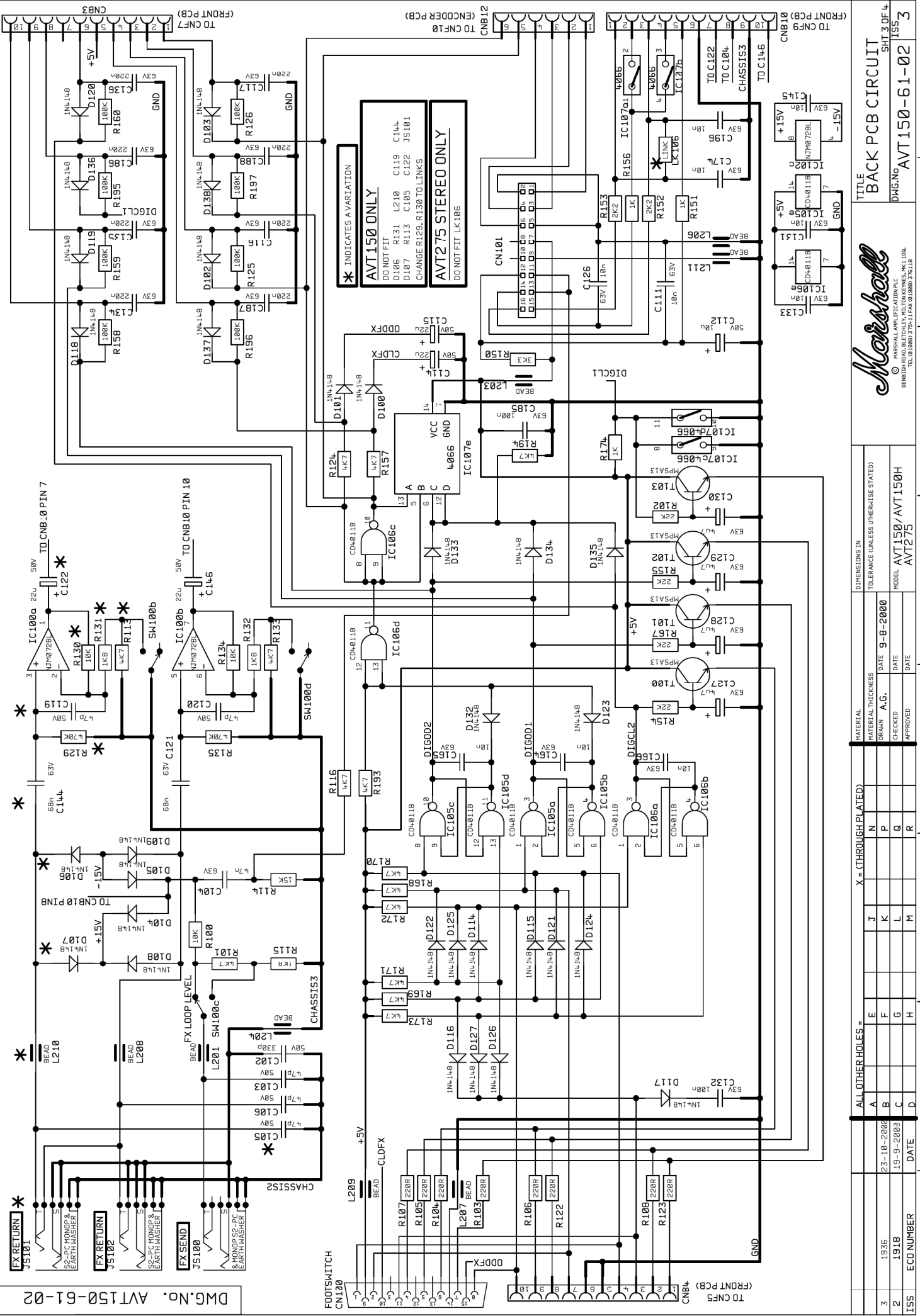
MATERIAL	DATE	DATE
DRAWN	A.G.	17-8-00
CHECKED	DATE	
APPROVED	DATE	

MODEL AVT150/AVT150H
AVT275

ALL OTHER HOLES = X = (THROUGH PLATED)

A	J	N
B	K	P
C	L	Q
D	M	R

3	1936	23-10-2000	E
2	1918	19-9-2000	G
ISS	ECO NUMBER	DATE	



DMG.No. AVT150-61-02



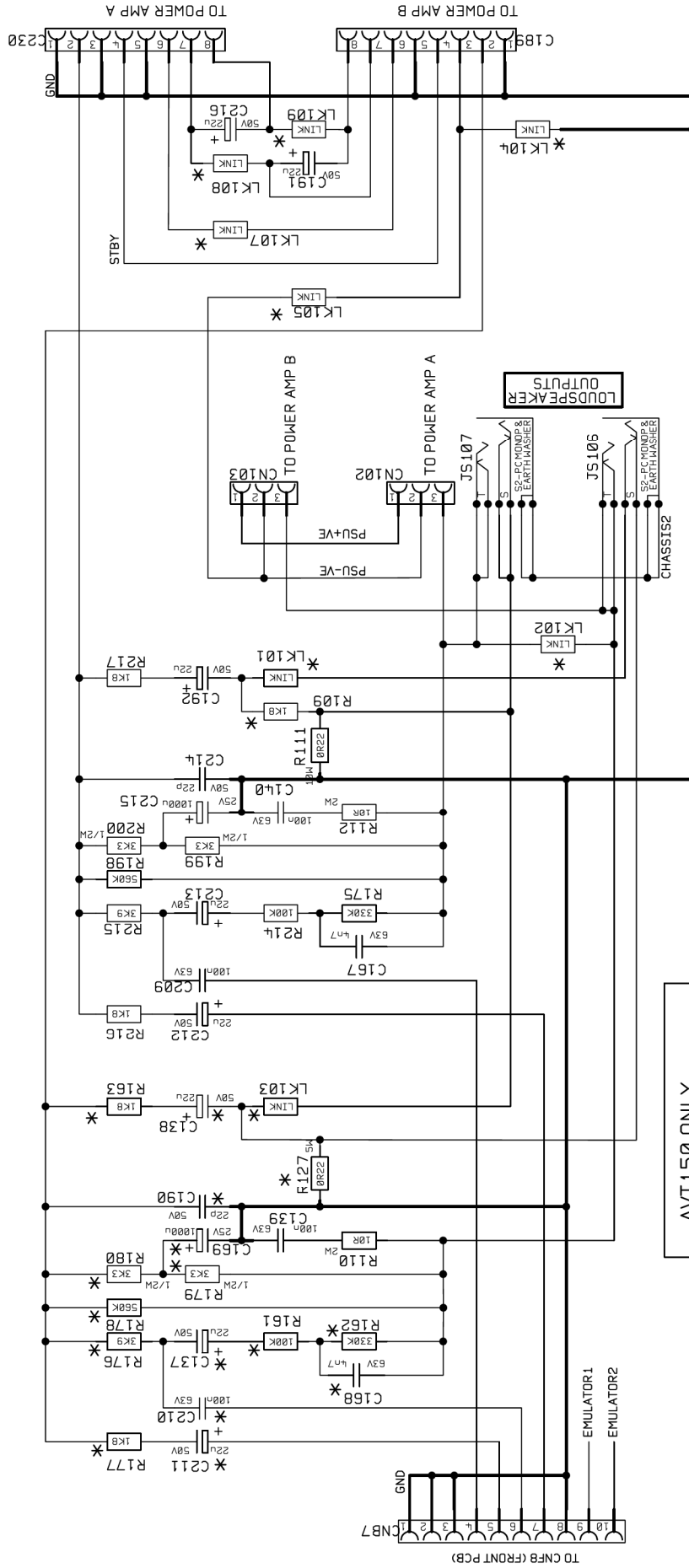
TITLE
BACK PCB CIRCUIT
SHT 3 OF 4
DMG.No AVT150-61-02

ALL OTHER HOLES =

A	B	C	D	E	F	G	H	I	J	K	L	M	N	P	Q	R

3	1936	23-10-2000	DATE	9-8-2000	DATE
2	1918	19-9-2003	DATE	AVT150/AVT150H	DATE
155			DATE	AVT150/AVT150H	DATE

© MARSHALL AMPLIFICATION PLC
SHEPHERD ROAD, BILLYMERE, HELIXTON, LEICESTERSHIRE, LE19 1SD, U.K.
TEL: 01509 211171 FAX: 01509 211118



AVT150 ONLY

DO NOT FIT

R127 (5WATT)
 R161
 R162
 R163
 R176
 R177
 R179
 R180
 LK104

MUST FIT :-
 LK101, LK102, LK103, LK105
 LK107, LK108, LK109

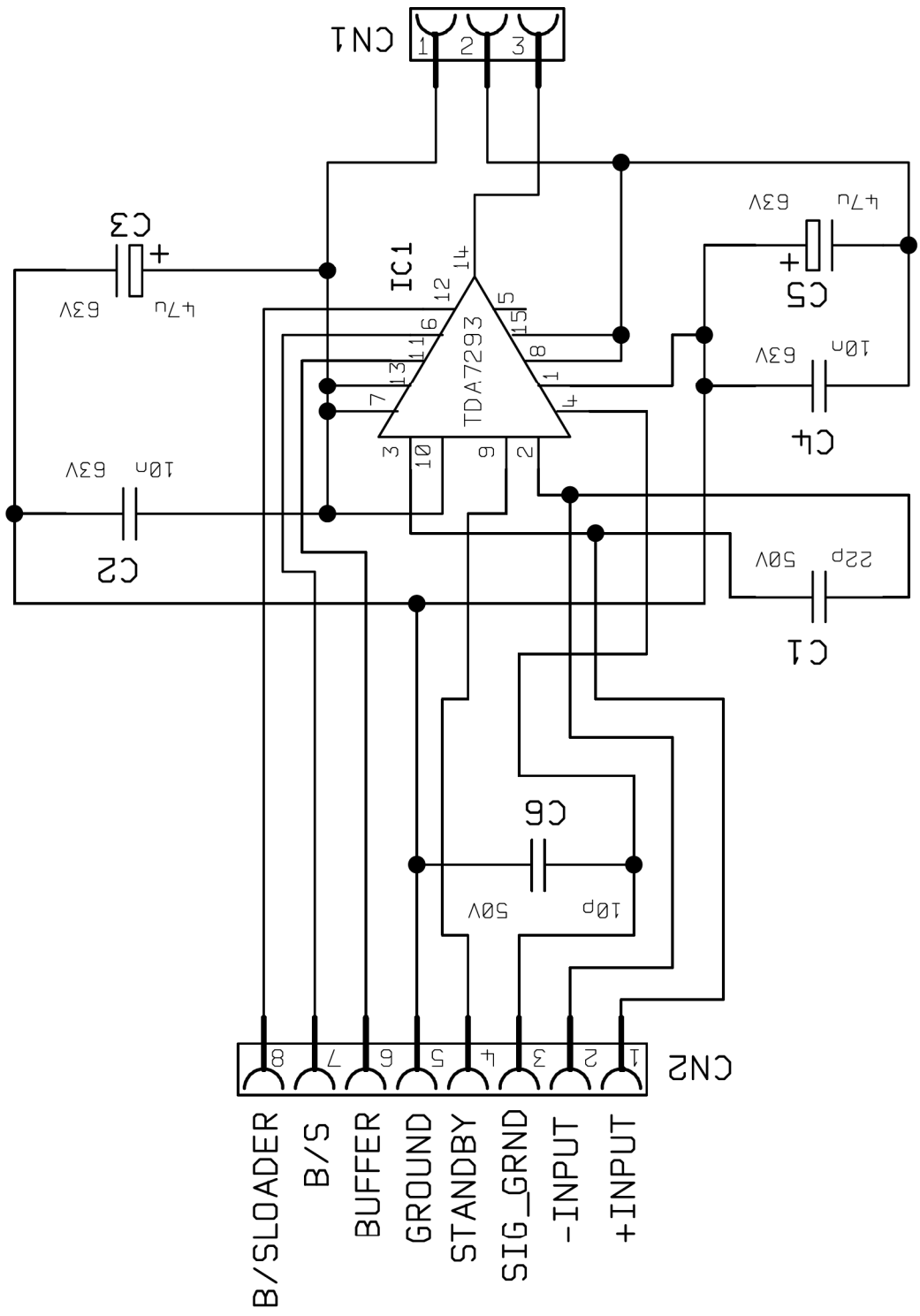
AVT275 STEREO ONLY

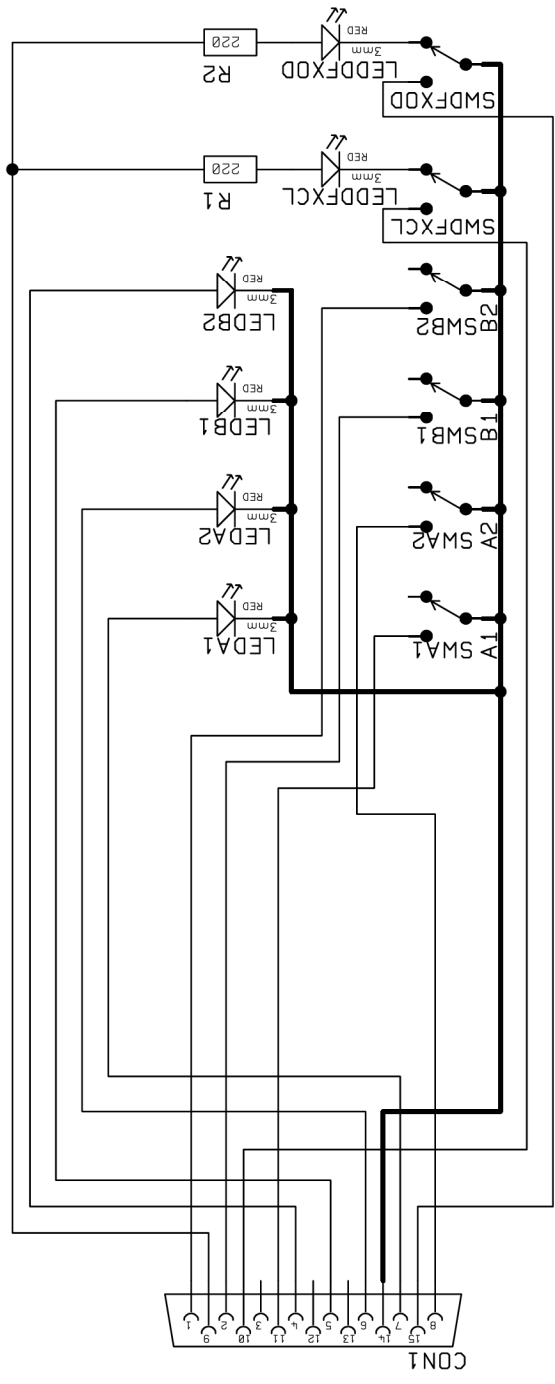
DO NOT FIT
 LK101, LK102, LK103, LK105
 LK107, LK108, LK109

MUST FIT
 LK104
CHANGE
 R109 TO LINK

*** INDICATES A VARIATION**

TITLE BACK PCB CIRCUIT		SHTL OF 4	
DIMENSIONS IN TOLERANCE (UNLESS OTHERWISE STATED)		DWG.No AVT150-61-02	
MATERIAL MATERIAL THICKNESS		DATE 17-8-00	
BRANN A.G.		DATE	
CHECKED		DATE	
APPROVED		DATE	
MODEL AVT150/AVT150H		DATE	
ECCO NUMBER		DATE	
ALL OTHER HOLES =		X = (THROUGH PLATED)	
A	J	N	R
B	K	P	
C	L	Q	
D	M		
E			
F			
G			
H			
I			
J			
K			
L			
M			
N			
P			
Q			
R			
ISS 1936		23-10-2000	
ISS 1918		19-9-2003	
ISS		DATE	
TITLE BACK PCB CIRCUIT		SHTL OF 4	
DWG.No AVT150-61-02		ISS 155	
 MARSHALL AMPLIFICATION LTD. MK1, UK. TEL: (01580) 375411 FAX: (01580) 375110		MODEL AVT150/AVT150H AVT275	





A1 = ACOUSTIC SIMULATOR
 A2 = CLEAN
 B1 = OD1
 B2 = OD2
 SWDFXCL = CLEAN DFX ON/OFF
 SWDFXOD = OD DFX ON/OFF

NOTES:-

- 1- GOOD CONTACT REQUIRED BETWEEN 15 PIN 'D' CASE & PEDAL CHASSIS.
- 2- SWITCHES A1, A2, B.1, B2 TO BE MOMENTARY
- 3- SWITCHES SWDFXCL, SWDFXOD TO BE LATCHING
- 4- LEDs TO BE LOW CURRENT