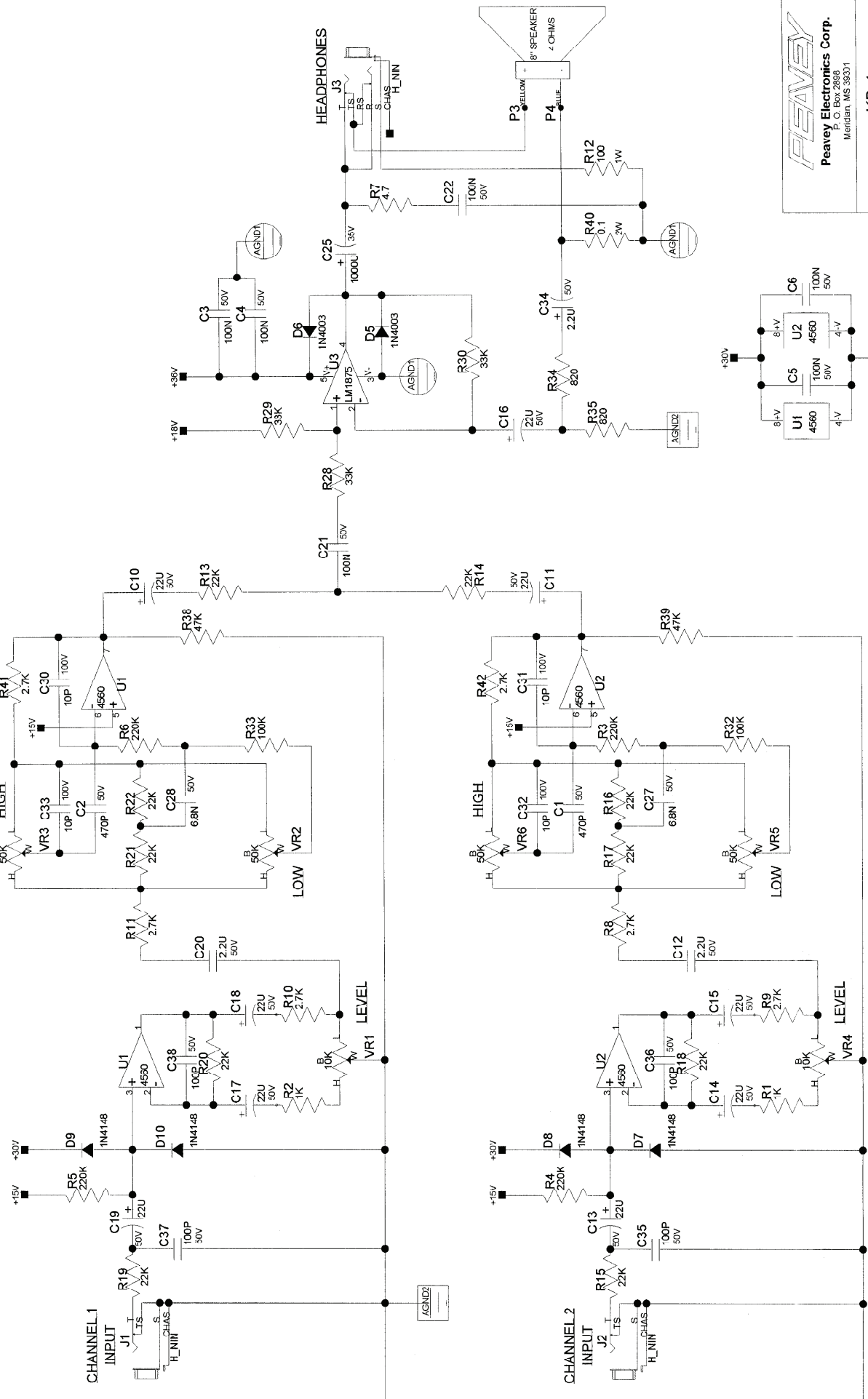


A B C D

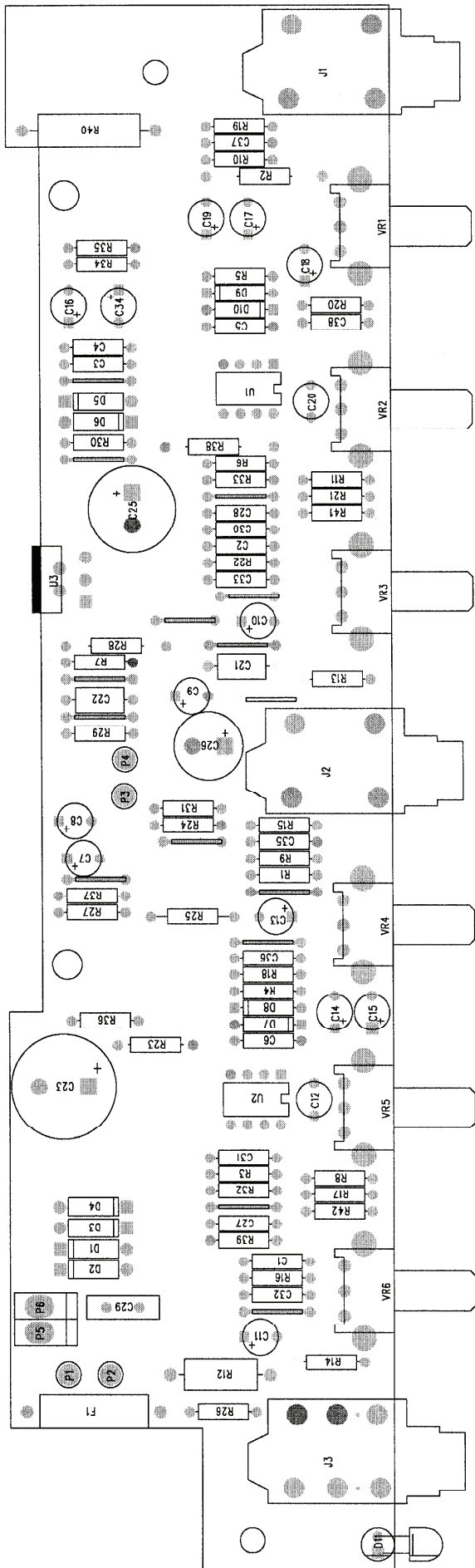


PEAVEY
 Peavey Electronics Corp.
 P. O. Box 2898
 Meridian, MS 39331

Title: **KB-1**
 Sheet Title: **PREAMP/ POWER AMP**
 Eng. John C. REIS

Sheet 2 of 2 Date: 11-19-2002_11:02

A B C D



BILL OF MATERIAL REPORT

REPORT DATE/TIME: 11/18/2002 3:08:01 PM

BOARD NAME: KB1 MAIN BD ASSEMBLY LEVEL NUMBER: 99060120b

PROJECT NUMBER: P0100136 DESIGNER: GWG

| Qty. | Part # | Description | Reference Designators |
|------|----------|---|-----------------------|
| 1 | 70210003 | 100 1W 5%MO AXL. | R12 |
| 1 | 70240002 | 4.7 1/4W 5% CF AXL | R7 |
| 2 | 70240017 | 1K 1/4W 5% CF AXL | R1 R2 |
| 3 | 70240019 | 820 1/4W 5% CF AXL | R25 R34 R35 |
| 6 | 70240021 | 2700 1/4W 5% CF AXL R41 R42 | R8 R9 R10 R11 |
| 1 | 70240022 | 3300 1/4W 5% CF AXL | R26 |
| 10 | 70240029 | 22K 1/4W 5% CF AXL R17 R18 R19 R20 R21 R22 | R13 R14 R15 R16 |
| 3 | 70240030 | 33K 1/4W 5% CF AXL | R28 R29 R30 |
| 4 | 70240031 | 47K 1/4W 5% CF AXL | R36 R37 R38 R39 |
| 3 | 70240033 | 82K 1/4W 5% CF AXL | R24 R27 R31 |
| 2 | 70240034 | 100K 1/4W 5% CF AXL | R32 R33 |
| 4 | 70240036 | 220K 1/4W 5% CF AXL | R3 R4 R5 R6 |
| 1 | 70240090 | 47 1/4W 5% FP AXL | R23 |
| 1 | 70241099 | .1 2W 10% WW AXL | R40 |
| 1 | 70320180 | 2.2UF 50V 20% EL RAD | C34 |
| 12 | 70320181 | 22UF 50V 20% EL RAD C11 C13 C14 C15 C16 C17 C18 C19 | C7 C8 C9 C10 |
| 2 | 70320184 | 2.2UF 50V 20% ELN RAD | C12 C20 |
| 1 | 70320186 | 1000UF 35V 20% EL RAD | C25 |
| 1 | 70320187 | 220UF 50V 20% EL RAD | C26 |
| 1 | 70320248 | 0.01UF 1000V 20% Z5U RAD | C29 |
| 1 | 70320319 | 2200UF 50V 20% EL RADH | C23 |
| 2 | 70340008 | 6800PF 50V 10% X7R AXL | C27 C28 |
| 4 | 70340050 | 10PF 100V 5% NPO AXL | C30 C31 C32 C33 |
| 4 | 70340054 | 100PF 50V 10% NPO AXL | C35 C36 C37 C38 |

| | | | |
|----|----------|--|---------------------|
| 2 | 70340058 | 470PF 50V 10% NPO AXL | C1 C2 |
| 4 | 70340100 | 0.1UF 50V 80-20% Z5U AXL | C3 C4 C5 C6 |
| 2 | 70340101 | 0.1UF 50V 10% X7R AXL | C21 C22 |
| 1 | 70401875 | LM-1875 PWRAMP VER. MNT. | U3 |
| 2 | 70414560 | 4560 DUAL OPAMP DIP8 | U1 U2 |
| 1 | 70450053 | RED T1 LED W/STOP LEAD | D11 |
| 6 | 70464003 | 1N4003 200V 1A SI DIODE D5 D6 | D1 D2 D3 D4 |
| 4 | 70464148 | 1N4148 75V 10MA DIODE | D7 D8 D9 D10 |
| 1 | 70901182 | FUSE, 3A 250V 2AG T&R | F1 |
| 2 | 71190800 | 10KB SNGL 12MM HOR | VR1 VR4 |
| 4 | 71190801 | 50KB SNGL 12MM HOR | VR2 VR3 VR5 VR6 |
| 2 | 71466322 | JACK, MONO R/A 1/4" 6.5MM NINS | J1 J2 |
| 1 | 71466323 | JACK, STEREO R/A 1/4" 6.5MM NINS | J3 |
| 4 | 73713813 | WR-TO-BD CRIMP TERM 18GA | P1 P2 P3 P4 |
| 2 | 73717003 | 1 STAKE PIN .045 .625 TIN | P5 P6 |
| 15 | JUMPER | ???????????????????????????? JMP5 JMP6 JMP7 JMP8 JMP9 JMP10 JMP11 JMP12 JMP13 JMP14 JMP15 | JMP1 JMP2 JMP3 JMP4 |

 END OF BILL OF MATERIAL REPORT
