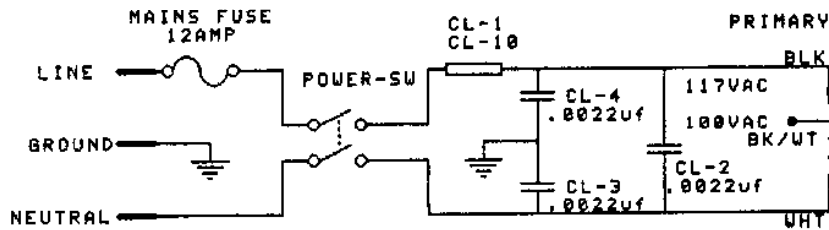


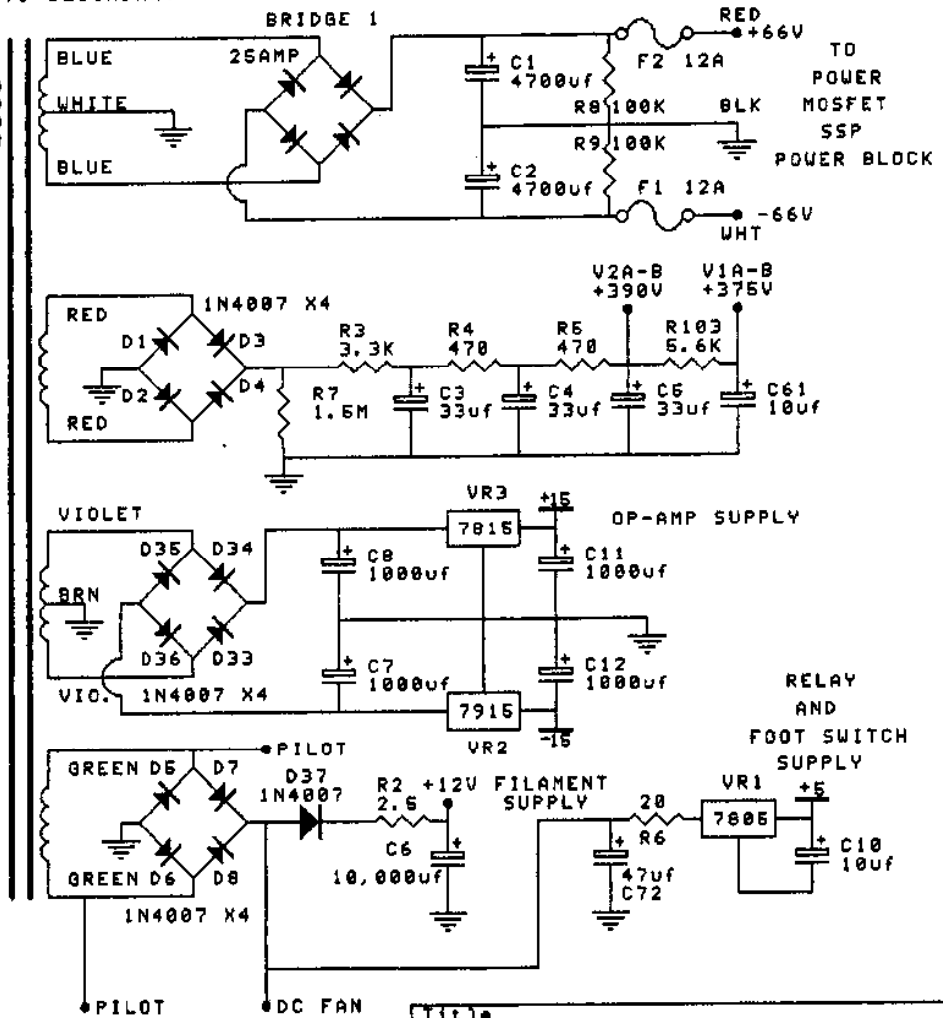
M-Pulse 360 & 600



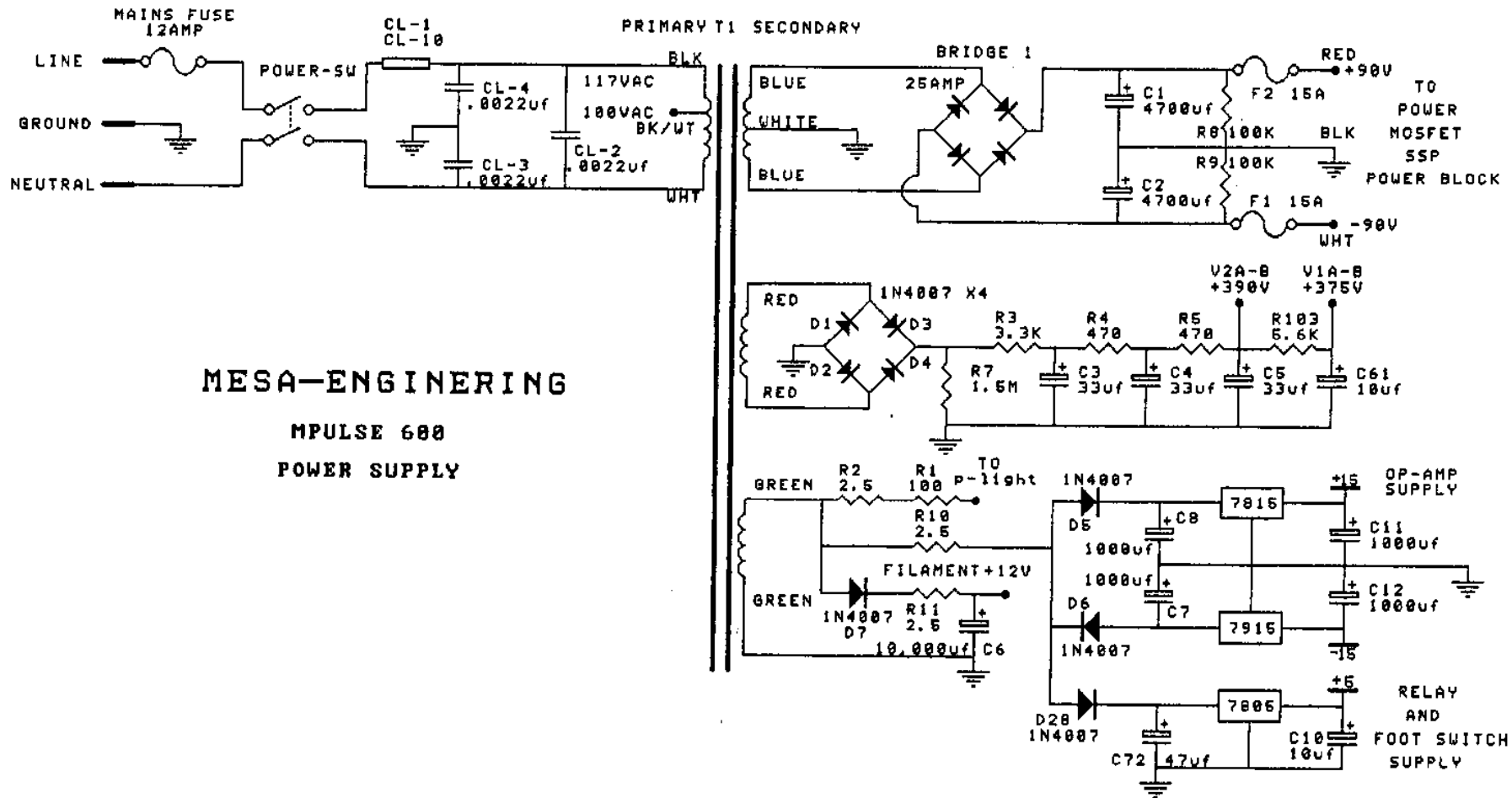
MESA-ENGINEERING

MPULSE 360 POWER SUPPLY

PRIMARY T1 SECONDARY



Title		
MPULSE 360 POWER SUPPLY		
Size	Number	Revision
A4		1
Date:	16-MAR-2001	Sheet of
File:	MPULSE-971	Drawn By: DAN VR



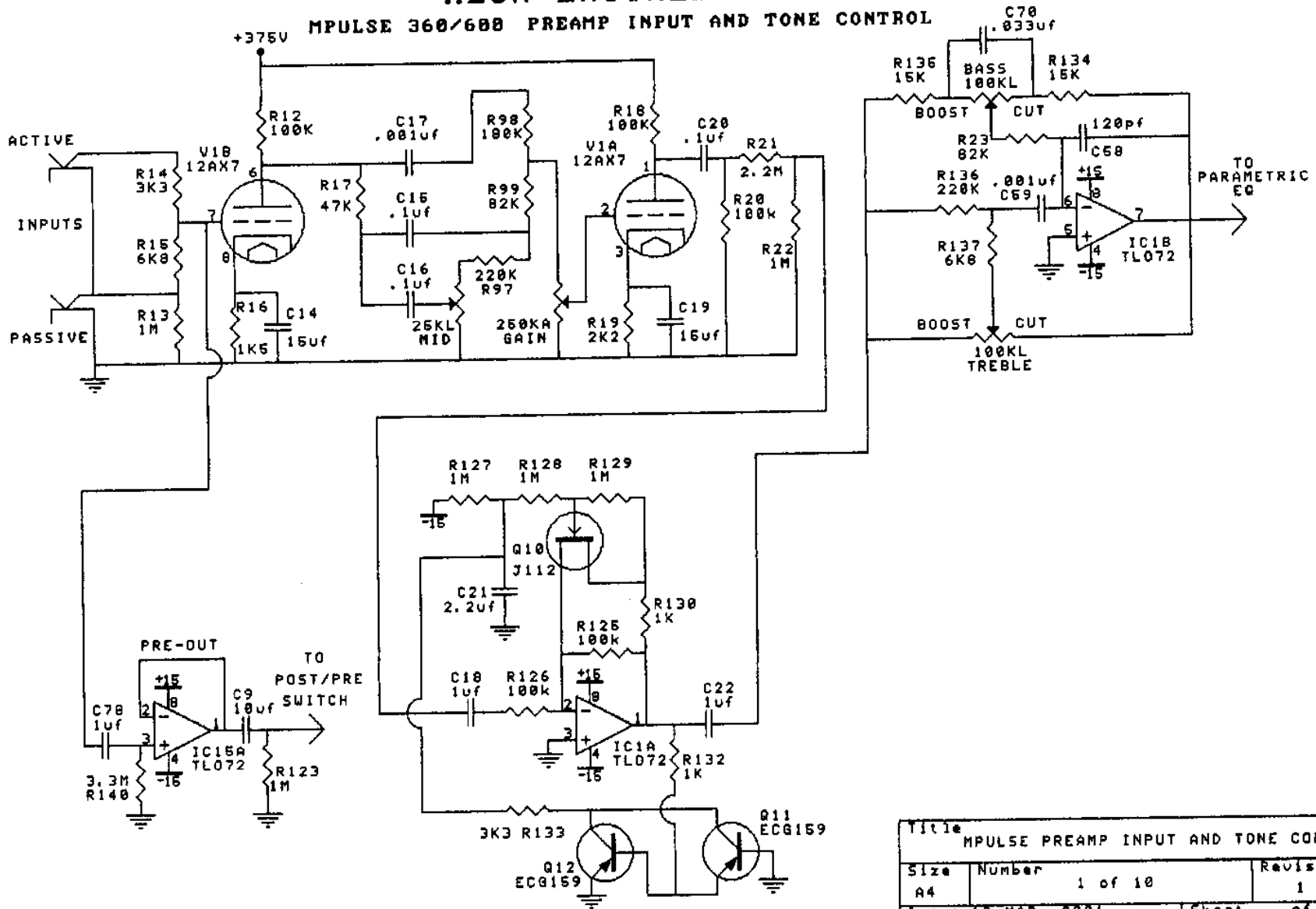
MESA-ENGINEERING

MPULSE 600
POWER SUPPLY

Title		
MPULSE 600 SUPPLY		
Size	Number	Revision
A4		1
Date:	16-MAR 2001	Sheet of
File:	MPULSE6971	Drawn By: DAN VR

MESA-ENGINEERING

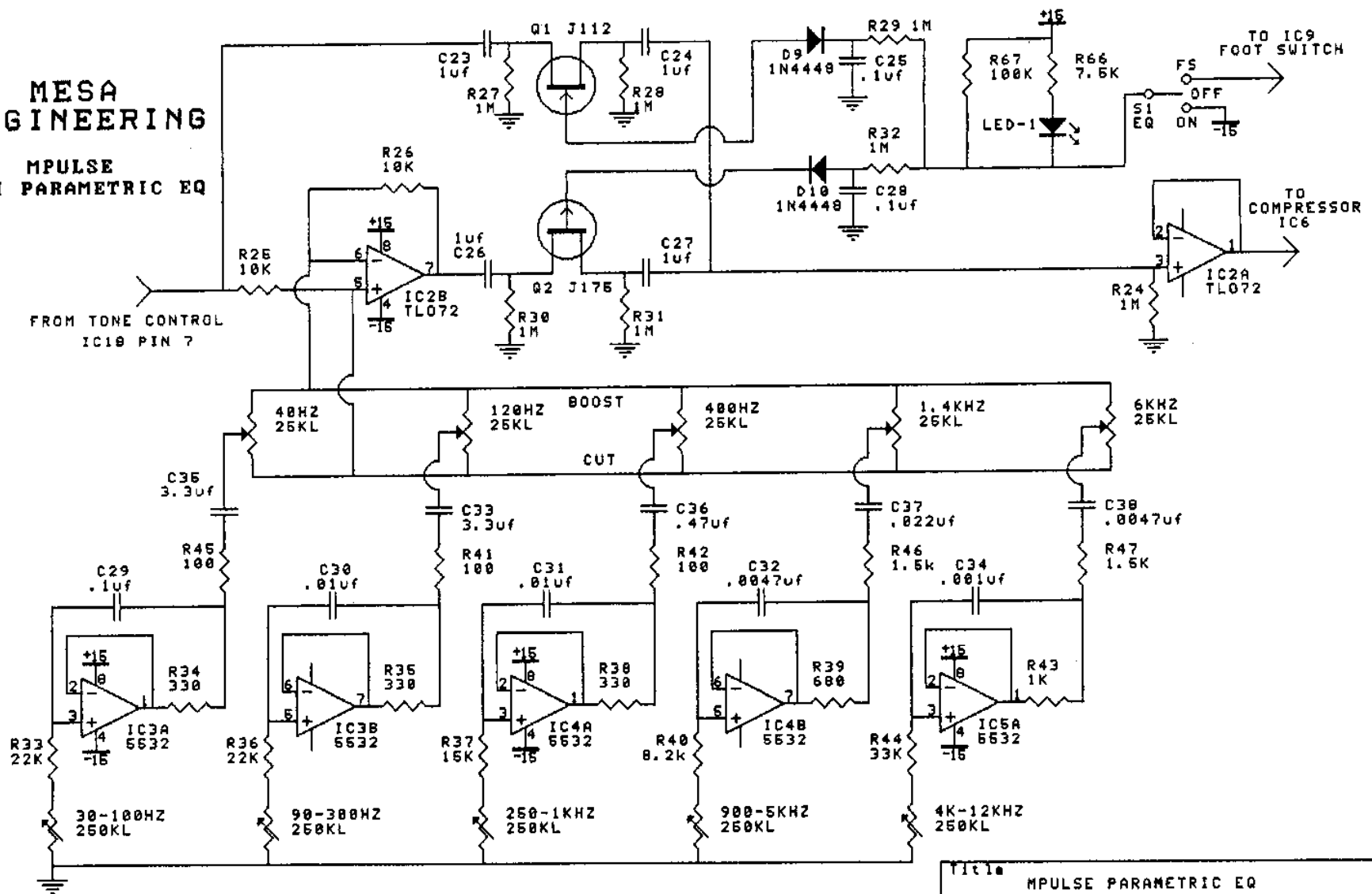
MPULSE 360/688 PREAMP INPUT AND TONE CONTROL



Title			
MPULSE PREAMP INPUT AND TONE CONTROL			
Size	Number	1 of 10	Revision
A4			1
Date:	19-MAR-2001	Sheet	of
File:	MPULSE-171	Drawn	By: DAN V.R

MESA ENGINEERING

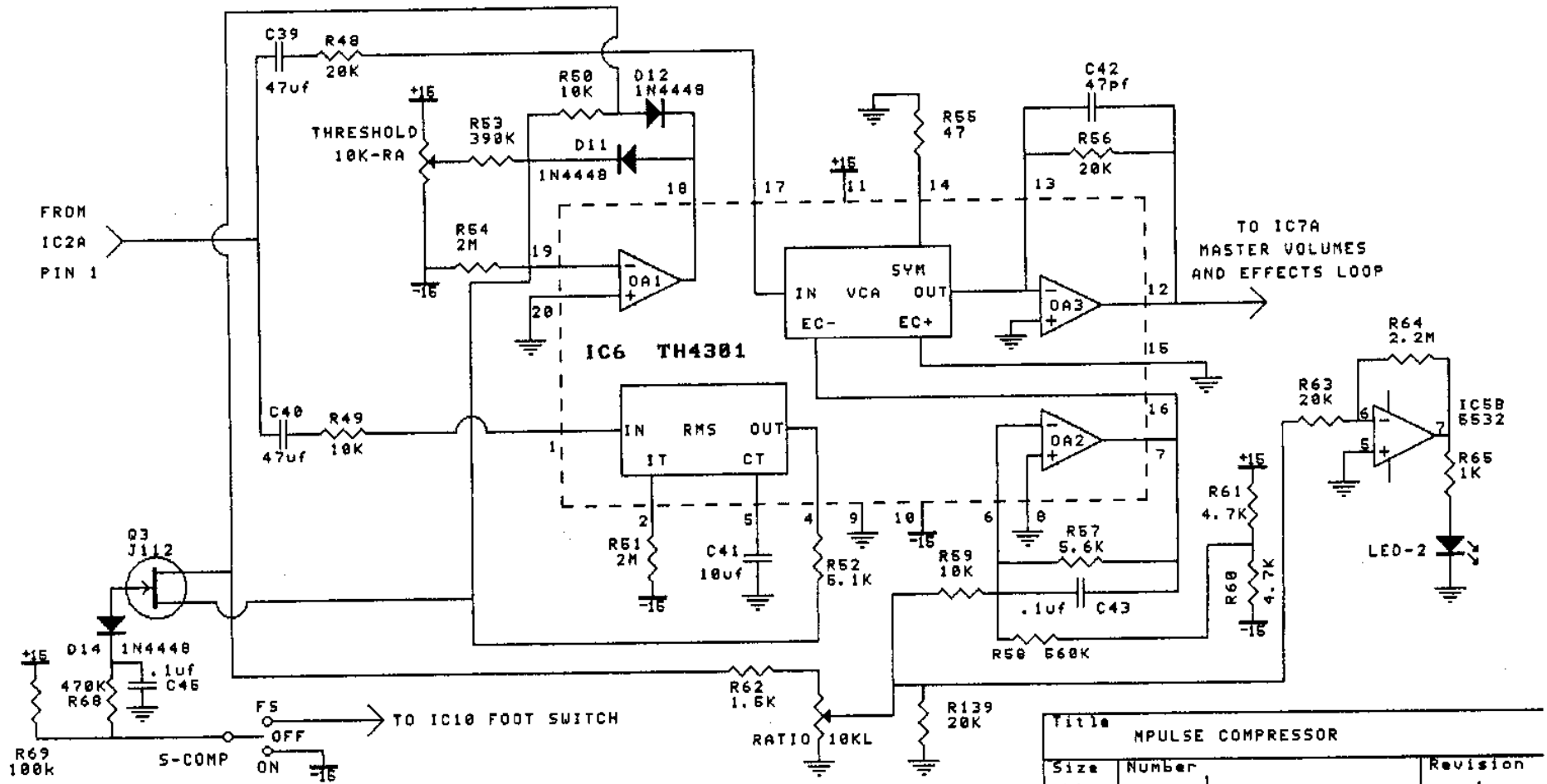
MPULSE SEMI PARAMETRIC EQ



Title		
MPULSE PARAMETRIC EQ		
Size	Number	Revision
A4		1
Date:	8-MAR-2001	Sheet of
File:	MPULSE-271	Drawn By: DAN VR

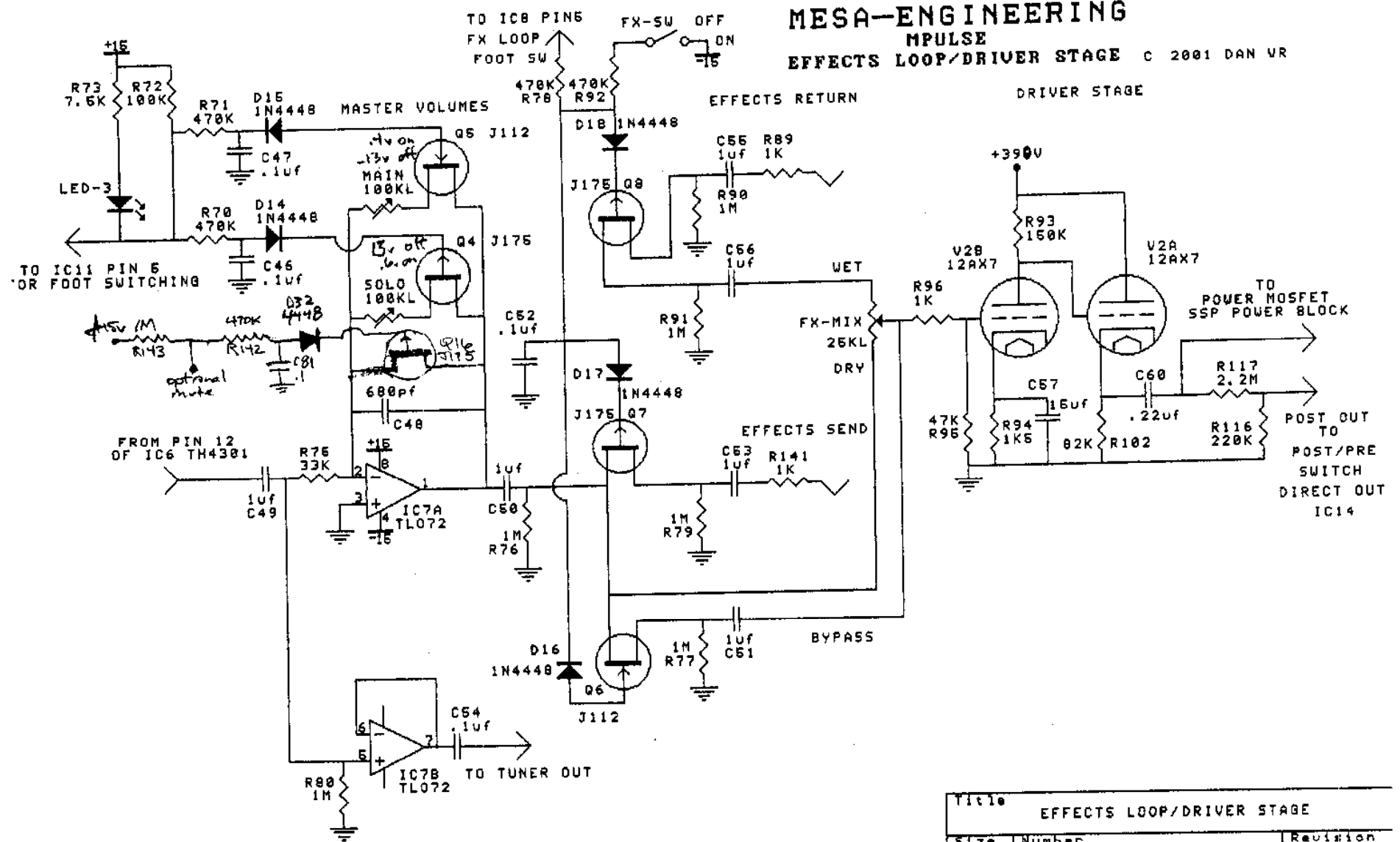
MESA-ENGINEERING

MPULSE COMPRESSOR



Title			MPULSE COMPRESSOR		
Size	Number			Revision	
A4	1			1	
Date:	15-MAR-2001	Sheet	of		
File:	MPULSE-371	Drawn By:	DAN VR		

MESA-ENGINEERING
 MPULSE
 EFFECTS LOOP/DRIVER STAGE C 2001 DAN VR



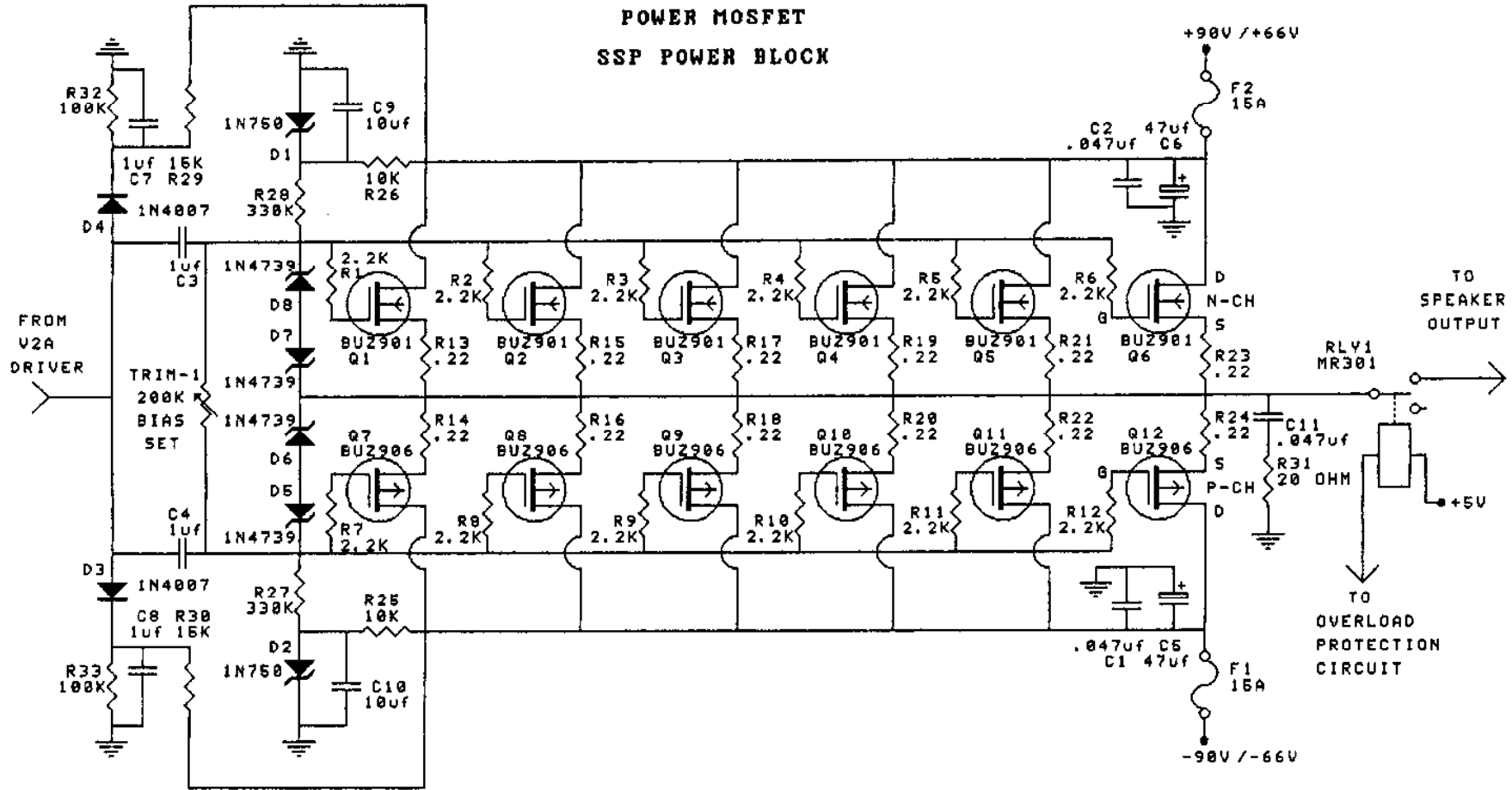
Title		
EFFECTS LOOP/DRIVER STAGE		
Size	Number	Revision
A4		1
Date: 14-MAR 2001	Sheet of	
File: MPULSE-471	Drawn By: DAN VR	

MESA-ENGINEERING

MPULSE 360/600

POWER MOSFET

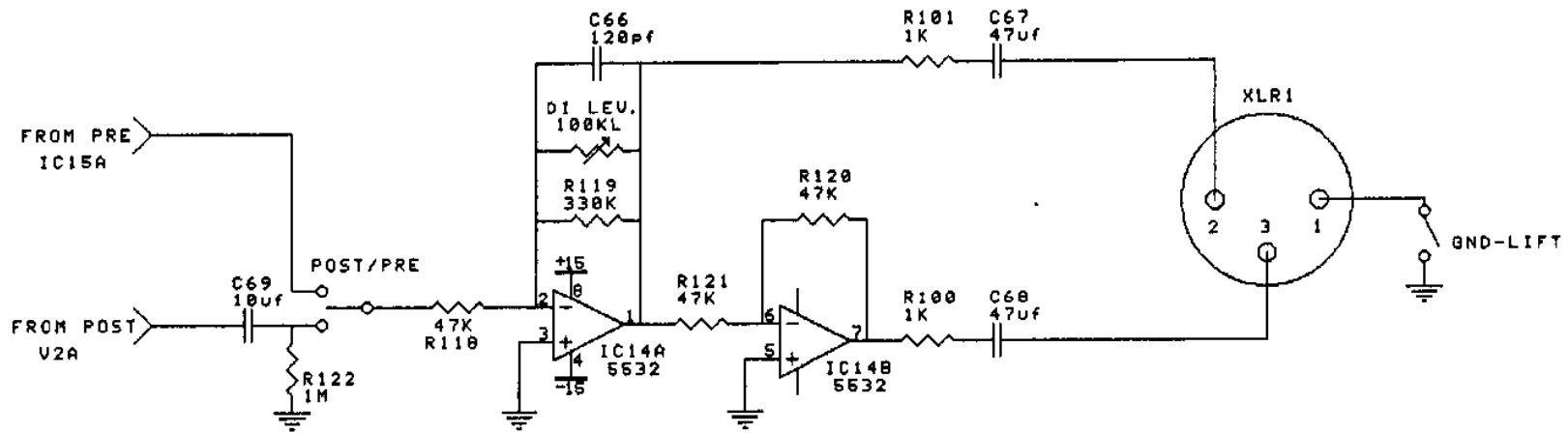
SSP POWER BLOCK



Title		
SSP POWER BLOCK		
Size	Number	Revision
A4		1
Date:	16-MAR-2001	Sheet of
File:	MPULSE-5/1	Drawn By: DAN VR

MESA-ENGINEERING

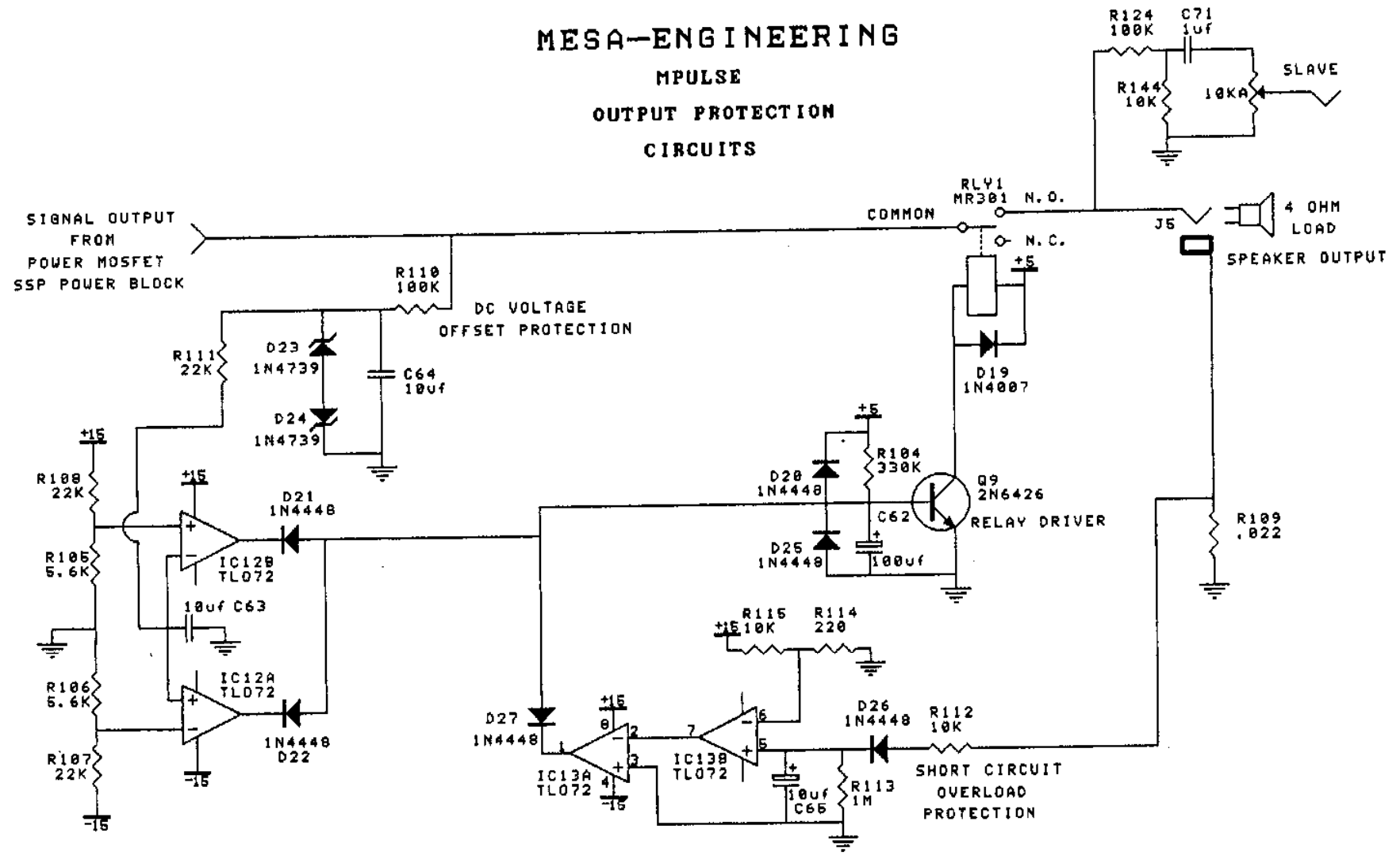
MPULSE DIRECT BALANCED OUT



Title		
DIRECT BALANCED OUT		
Size	Number	Revision
A4		1
Date:	14-MAR-2001	Sheet of
File:	MPULSE-671	Drawn By: DAN VR

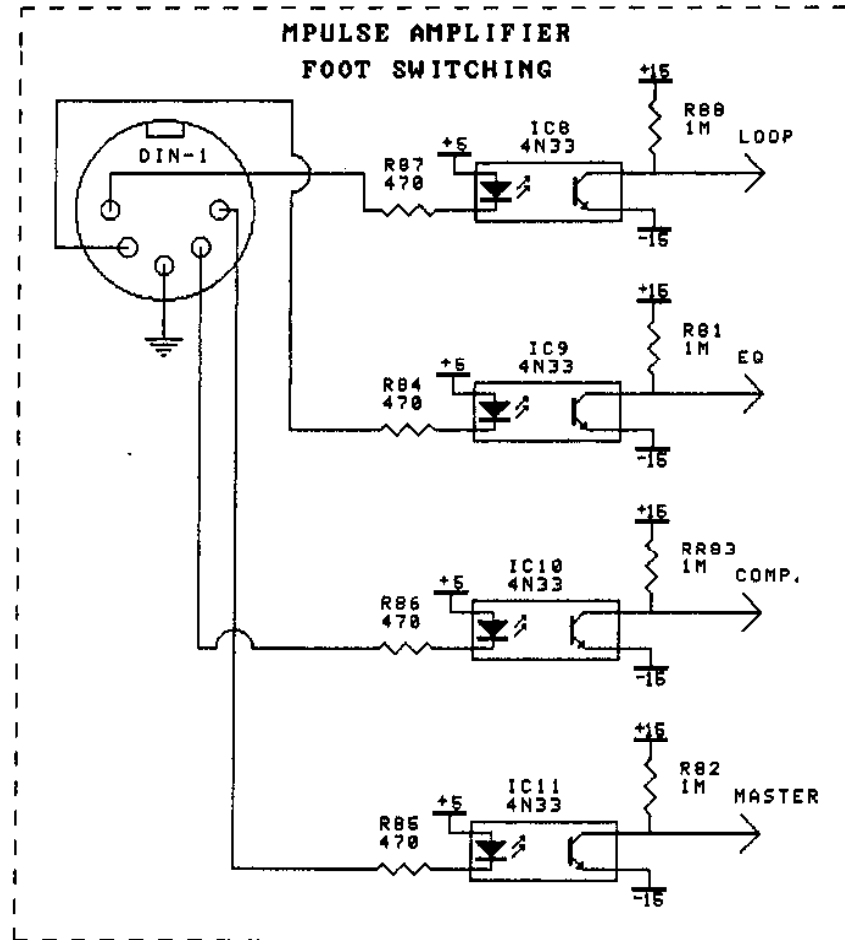
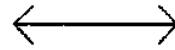
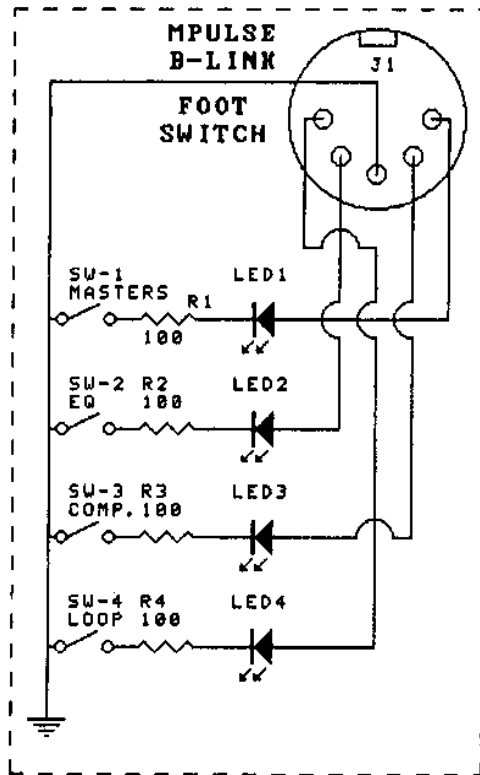
MESA-ENGINEERING

MPULSE OUTPUT PROTECTION CIRCUITS



Title		
OUTPUT PROTECTION		
Size	Number	Revision
A4		1
Date: 15-MAR-2001		Sheet of
File: MPULSE-871		Drawn By: DAN VR

MESA-ENGINEERING



Title		
MPULSE FOOTSWITCHING		
Size	Number	Revision
A4		1
Date:	14-MAR 2001	Sheet of
File:	MPULSE-771	Drawn By: DAN VR