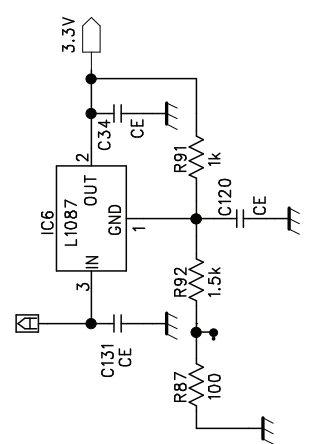
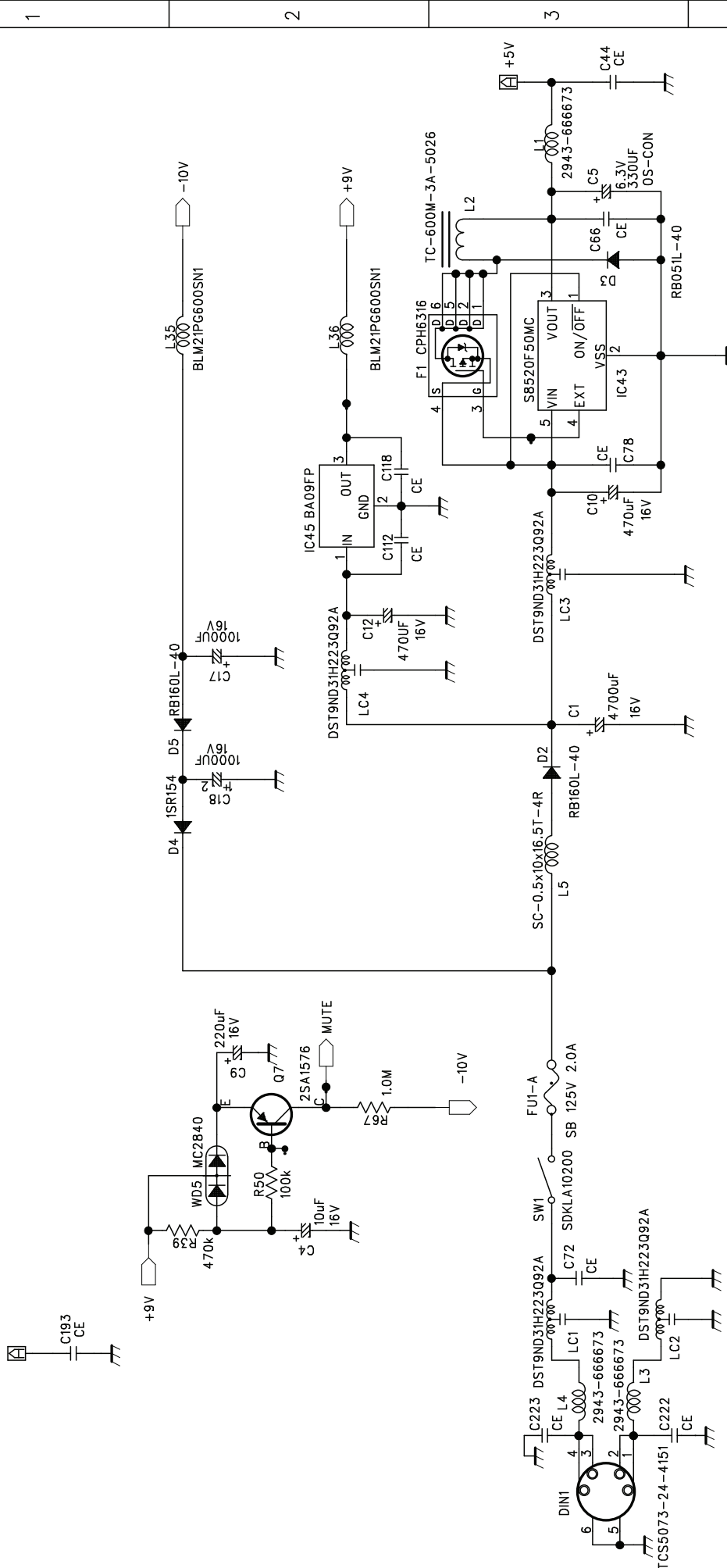


# CE:C1608JF1E104ZT-AG



|   |            |                          |                                  |
|---|------------|--------------------------|----------------------------------|
| DESIGNED BY<br>                                   | CHECKED BY | APPROVED BY              | MODEL<br>X-5110/20/30 TR61/76/88 |
| TITLE<br><b>KLM-2676 MAIN 5/5<br/>POWER BLOCK</b> |            |                          |                                  |
| DRAWING NO.<br><b>KOD-A40613</b>                  |            | DATE<br><b>Apr.21'05</b> |                                  |

| MARK | REVISION REASON | DATE | REVISED BY |
|------|-----------------|------|------------|
| △    |                 |      |            |
| △    |                 |      |            |
| △    |                 |      |            |
| △    |                 |      |            |