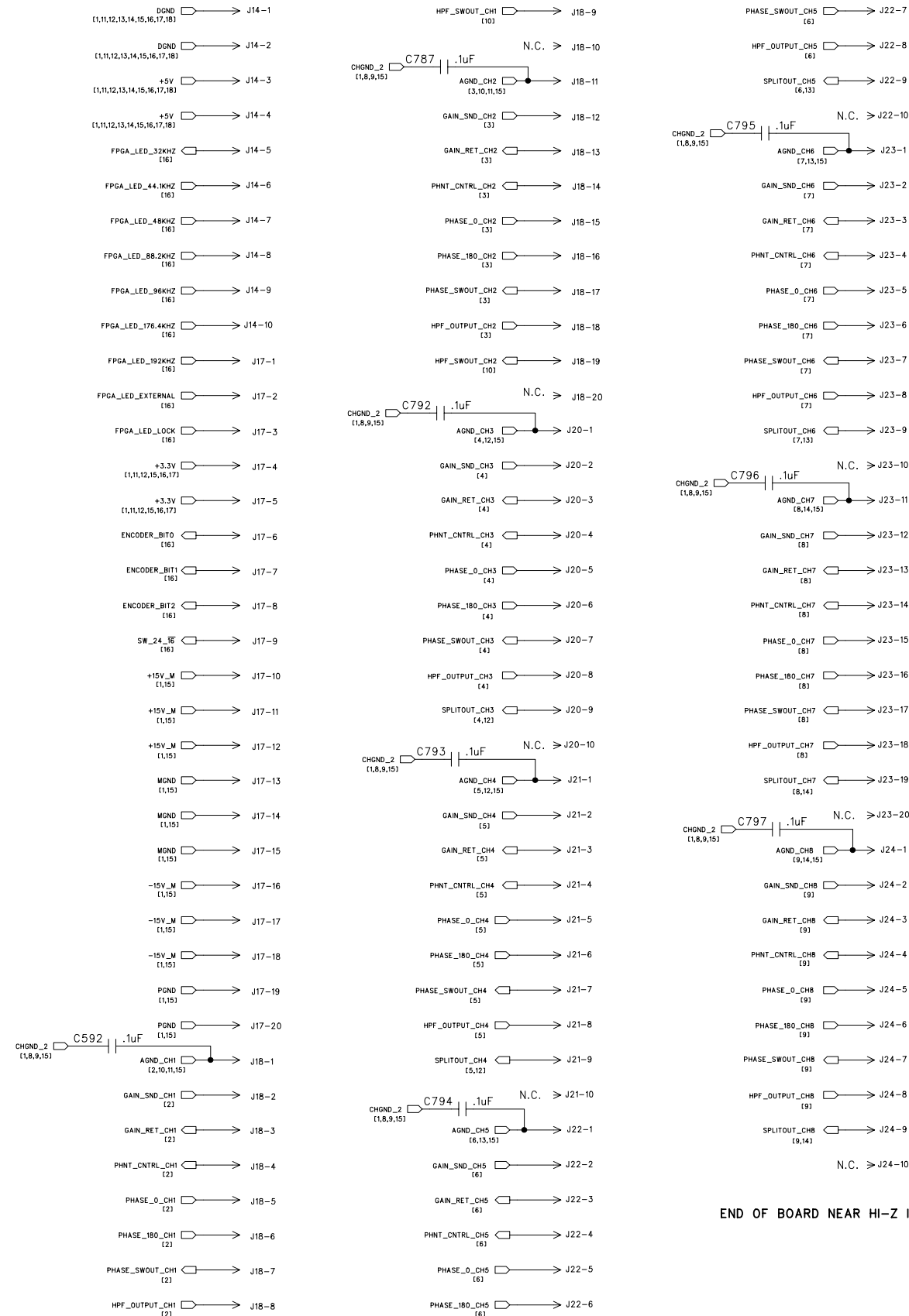


# Headers for connection to front panel PCB.

END OF BOARD NEAREST POWER SWITCH



END OF BOARD NEAR HI-Z INPUTS.

| ECO# | REV: | DESCRIPTION                                   | REV. BY: | DATE    |
|------|------|---|----------|---------|
| 6935 | A00  | RELEASE TO PRODUCTION                         | KR       | 4-16-04 |
| 7042 | A01  | CHANGE FPGA TO PREPROGRAMMED PART             | SDPL     | 5-13-04 |
| 7159 | B00  | CHANGE RESISTOR VALUES AND SIB LANDS FOR AMOI | SDPL     | 7-1-04  |

- B1  0012143-04 RND BUTTON CAP (7MM) "LINE" WHITE BOTTOM
- B2  0012143-04 RND BUTTON CAP (7MM) "LINE" WHITE BOTTOM
- B3  0012143-04 RND BUTTON CAP (7MM) "LINE" WHITE BOTTOM
- B6  0012143-04 RND BUTTON CAP (7MM) "LINE" WHITE BOTTOM
- B7  0012143-04 RND BUTTON CAP (7MM) "LINE" WHITE BOTTOM
- B8  0012143-04 RND BUTTON CAP (7MM) "LINE" WHITE BOTTOM
- B9  0012143-04 RND BUTTON CAP (7MM) "LINE" WHITE BOTTOM
- B11  0012143-04 RND BUTTON CAP (7MM) "LINE" WHITE BOTTOM

- B10  0012143-06 RND BUTTON CAP (7MM) "GUITAR" (symbol) WHITE BOTTOM
- B12  0012143-06 RND BUTTON CAP (7MM) "GUITAR" (symbol) WHITE BOTTOM
- B13  0012143-07 RND BUTTON CAP (7MM) CONTROL GRAY TOP WHITE BOTTOM
- B14  0012143-07 RND BUTTON CAP (7MM) CONTROL GRAY TOP WHITE BOTTOM
- B15  0012143-07 RND BUTTON CAP (7MM) CONTROL GRAY TOP WHITE BOTTOM
- B16  0012143-07 RND BUTTON CAP (7MM) CONTROL GRAY TOP WHITE BOTTOM
- B17  0012143-07 RND BUTTON CAP (7MM) CONTROL GRAY TOP WHITE BOTTOM

Z100  0007714-01 PCB FAB Onyx 800R Main

| APPROVALS   | DATE     |
|-------------|----------|
| DRAWN: SDPL | 12/09/03 |
| CHECKED:    |          |
| NP ENG:     |          |
| MATERIAL:   |          |
| MFG:        |          |
| MFG ENG:    |          |
| ISSUED:     |          |



## ONYX 800R: MAIN

©2004 MACKIE DESIGNS INC.  
 ALL RIGHTS RESERVED  
 THE INFORMATION CONTAINED HEREIN  
 IS PROPRIETARY AND CONFIDENTIAL  
 PROPERTY OF MACKIE DESIGNS INC.

| SIZE      | SCALE: | DWG. NO.      | REV. |
|-----------|--------|---------------|------|
| D         | NONE   | SCH0007715-00 | B00  |
| DWG FILE: |        | SHEET 1 OF 18 |      |

LOCATE NEAR BACK PANEL - CLOSE TO ENTRY POINT

# CHANNEL 1

D

D

C

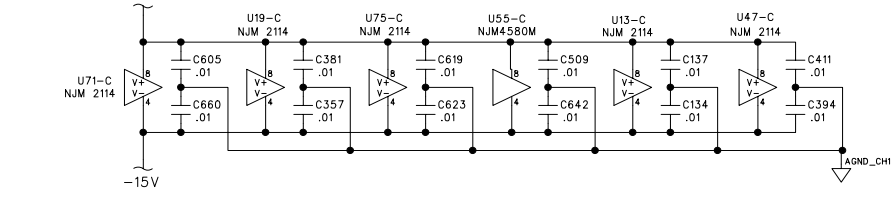
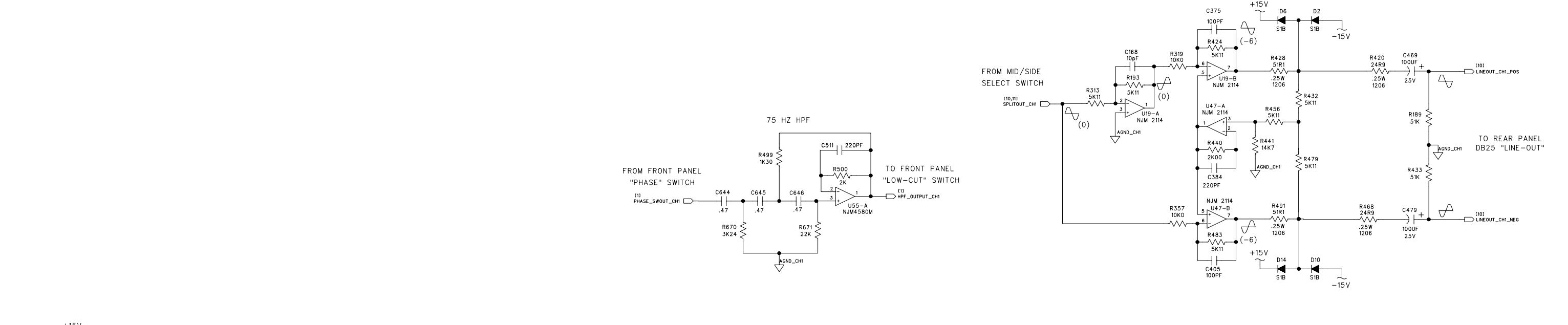
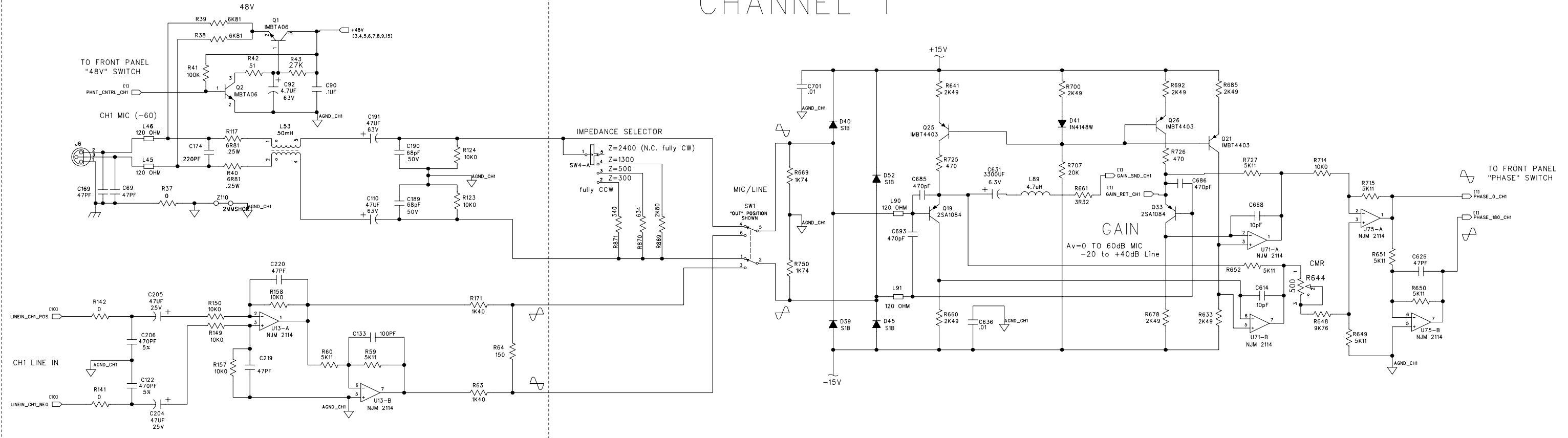
C

B

B

A

A



**MACKIE**  
Mackie Designs Inc. Woodinville, Wa.

**ONYX 800R: MAIN**

|           |             |                         |          |
|-----------|-------------|-------------------------|----------|
| SIZE: D   | SCALE: NONE | DWG. NO.: SCH0007715-00 | REV. B00 |
| DWG FILE: |             | SHEET 2 OF 18           |          |

LOCATE NEAR BACK PANEL - CLOSE TO ENTRY POINT

# CHANNEL 2

D

D

C

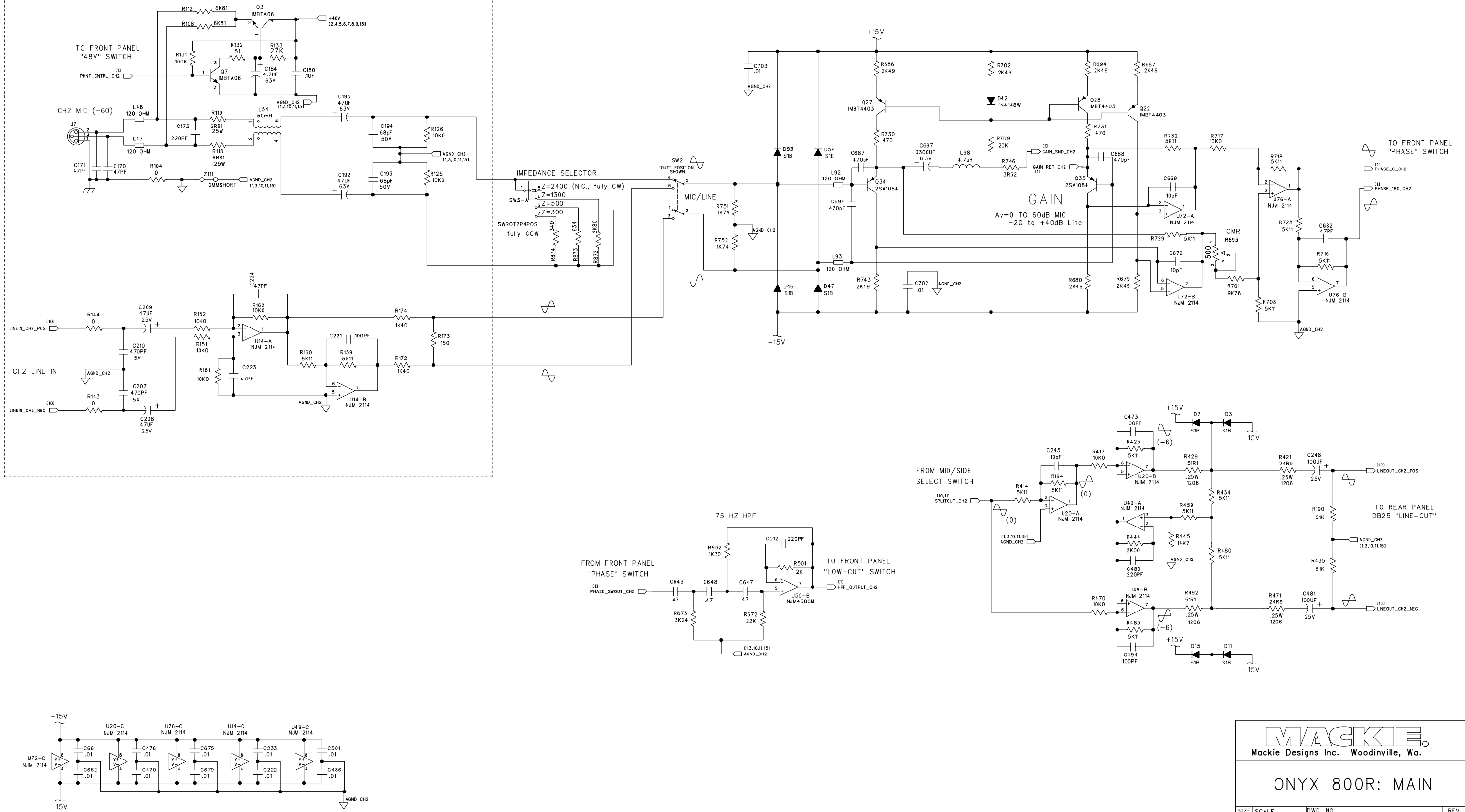
C

B

B

A

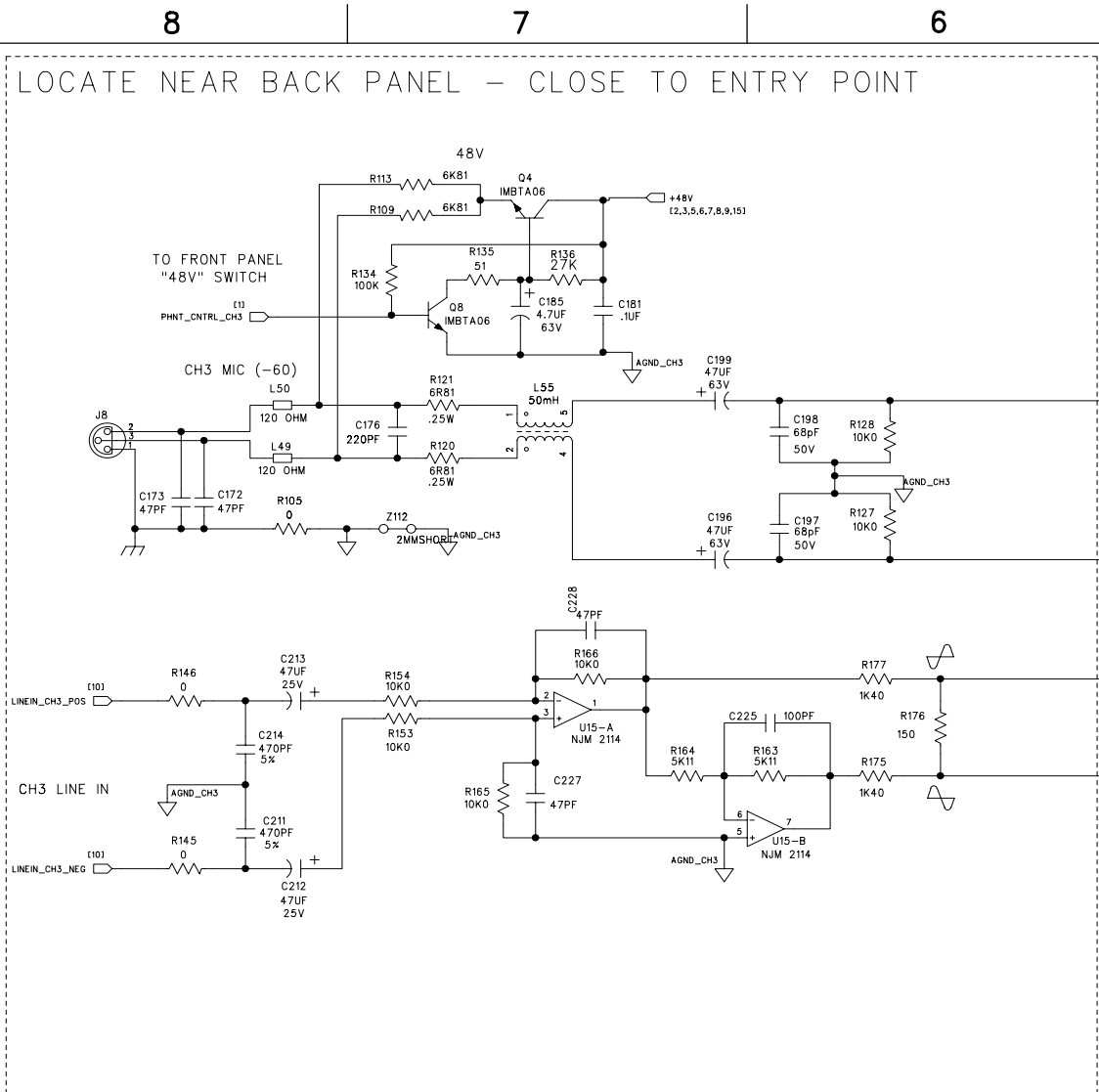
A



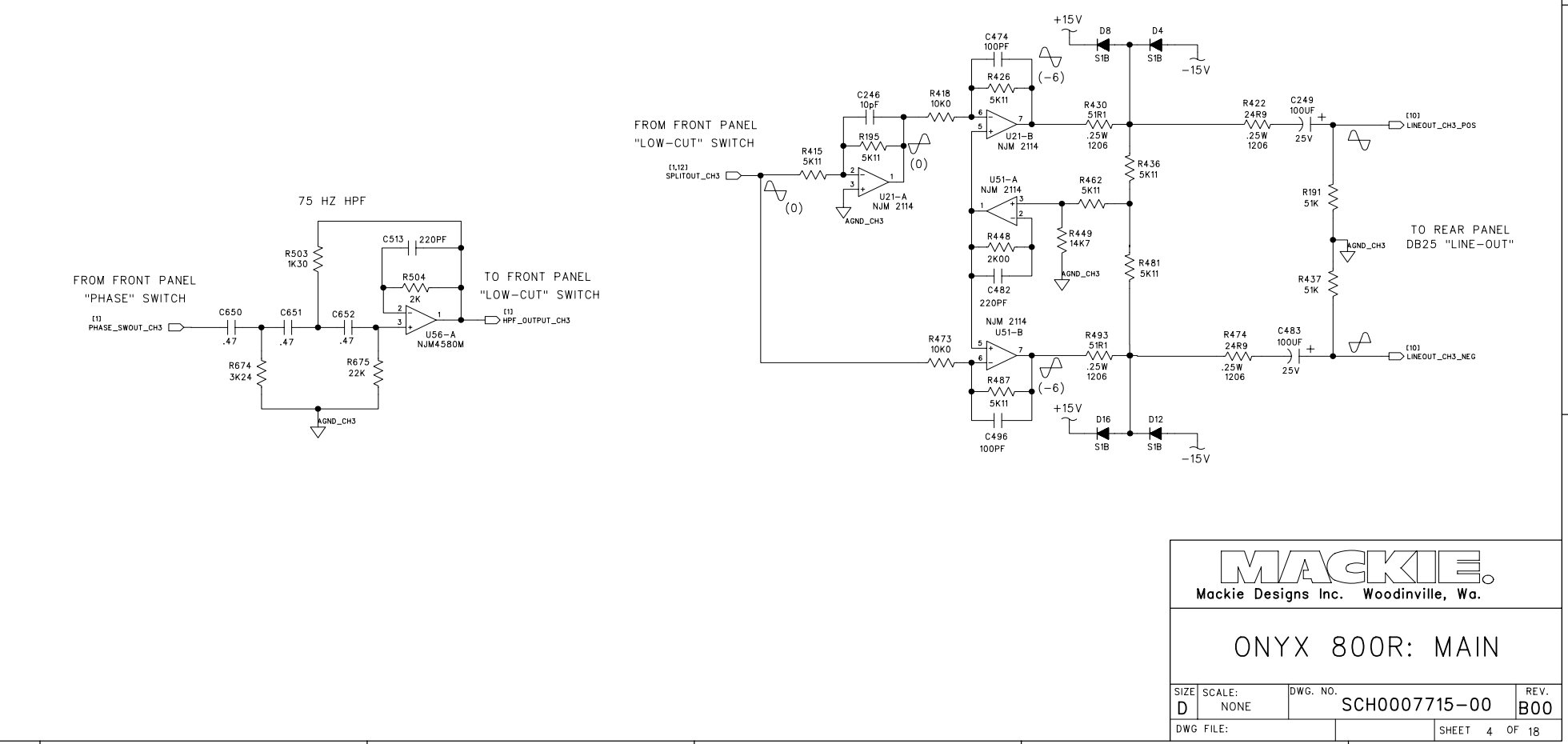
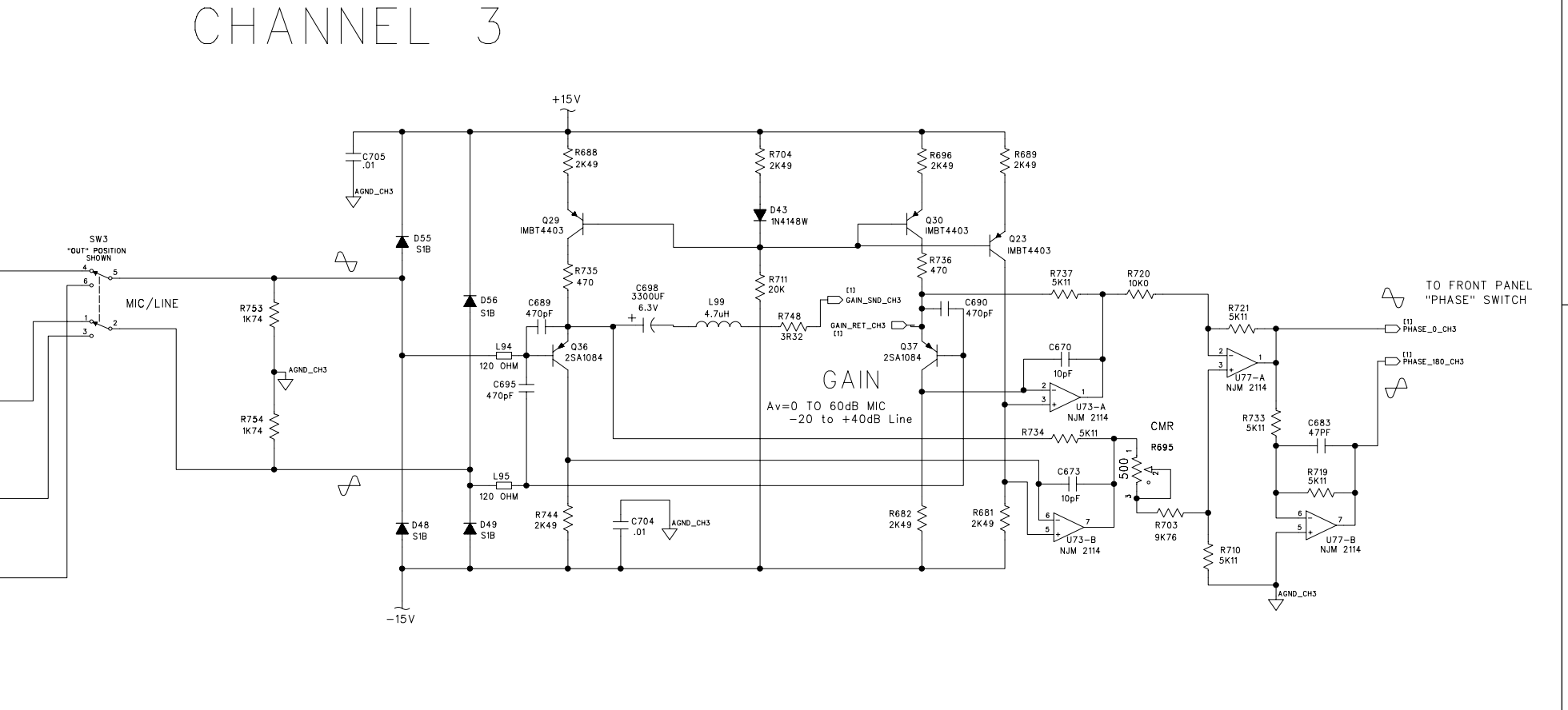
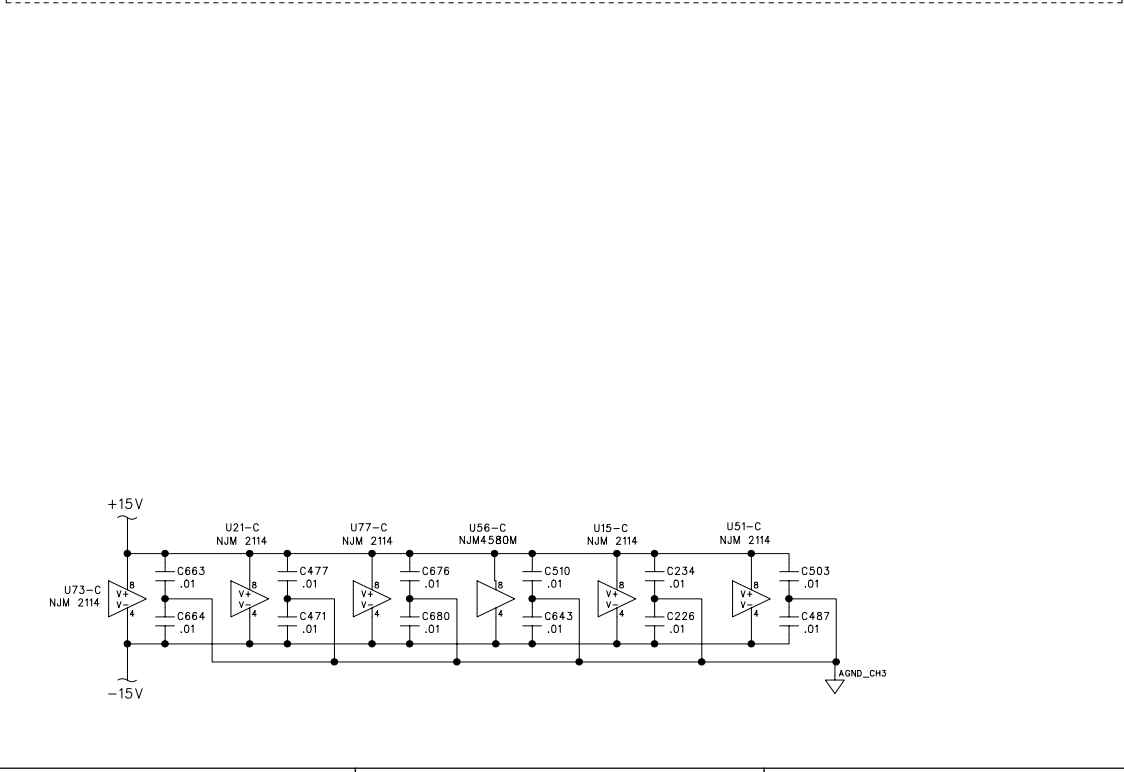
**MACKIE**  
Mackie Designs Inc. Woodinville, Wa.

**ONYX 800R: MAIN**

|           |             |                         |          |
|-----------|-------------|-------------------------|----------|
| SIZE: D   | SCALE: NONE | DWG. NO.: SCH0007715-00 | REV. B00 |
| DWG FILE: |             | SHEET 3 OF 18           |          |



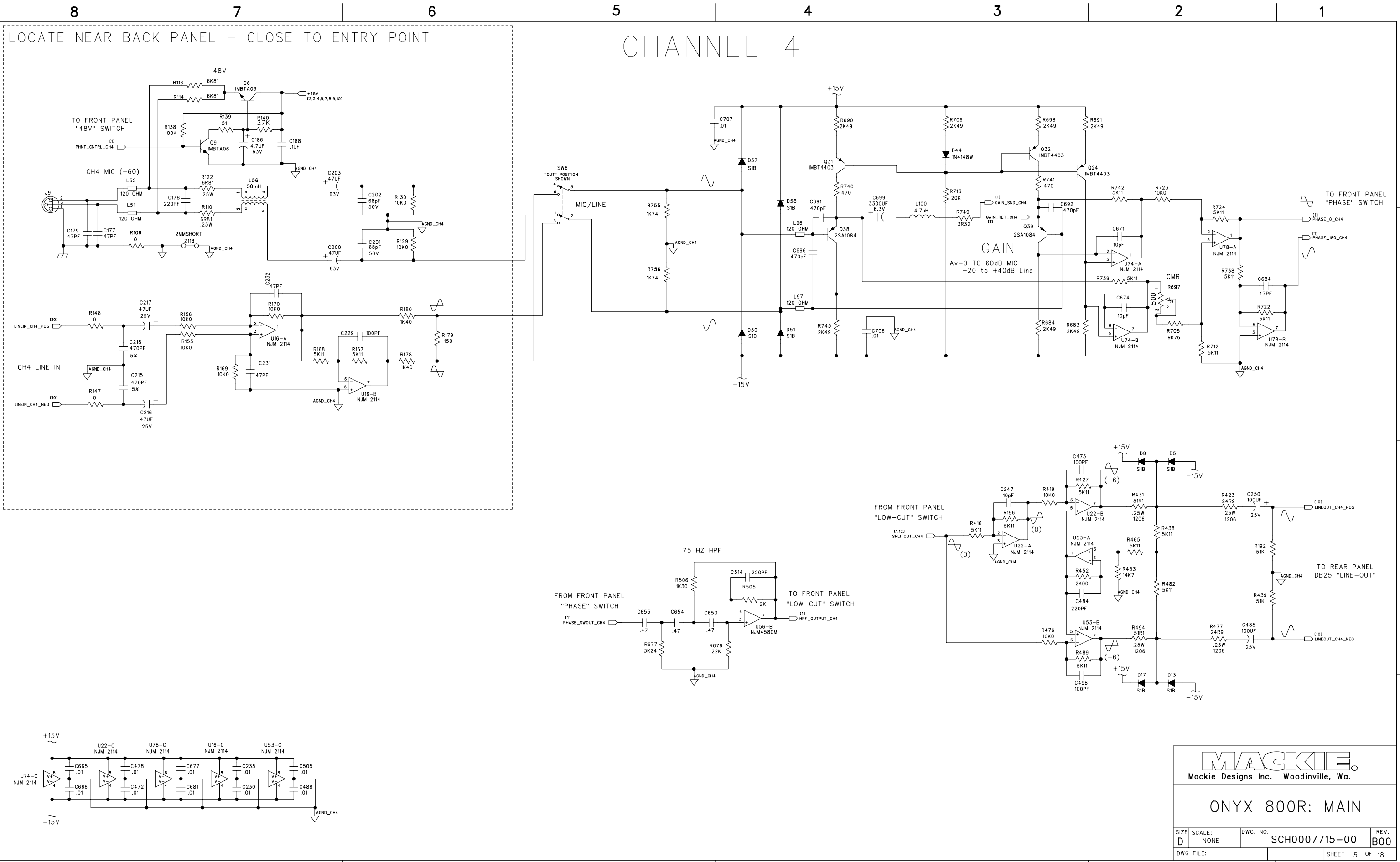
# CHANNEL 3



**MACKIE**  
Mackie Designs Inc. Woodinville, Wa.

ONYX 800R: MAIN

|           |             |                         |          |
|-----------|-------------|-------------------------|----------|
| SIZE: D   | SCALE: NONE | DWG. NO.: SCH0007715-00 | REV. B00 |
| DWG FILE: |             | SHEET 4 OF 18           |          |



LOCATE NEAR BACK PANEL - CLOSE TO ENTRY POINT

# CHANNEL 4

**MACKIE**  
Mackie Designs Inc. Woodinville, Wa.

ONYX 800R: MAIN

|           |             |                         |          |
|-----------|-------------|-------------------------|----------|
| SIZE: D   | SCALE: NONE | DWG. NO.: SCH0007715-00 | REV. B00 |
| DWG FILE: |             | SHEET 5 OF 18           |          |

LOCATE NEAR BACK PANEL - CLOSE TO ENTRY POINT

CHANNEL 5

D

D

C

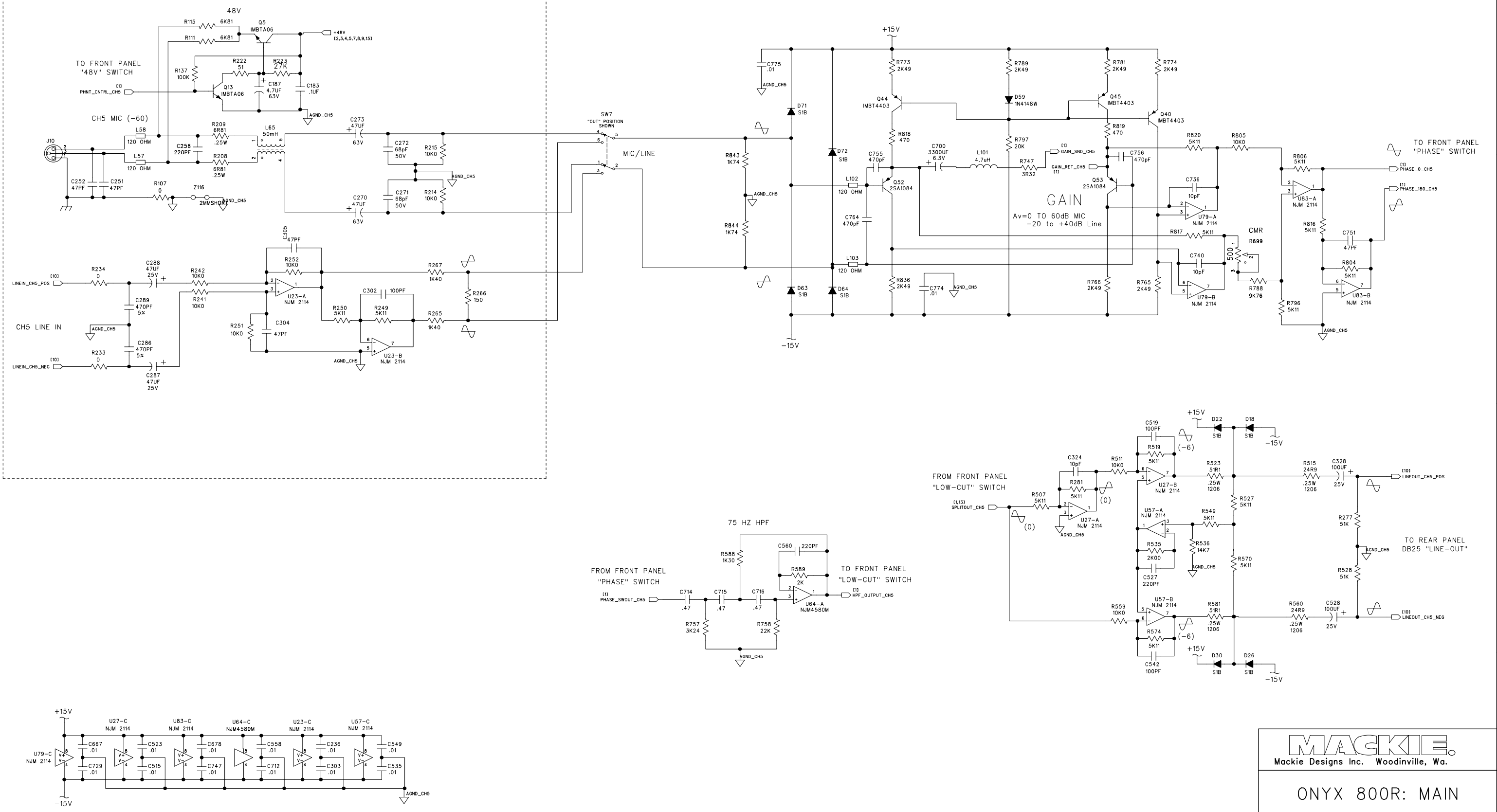
C

B

B

A

A



**MACKIE**  
Mackie Designs Inc. Woodinville, Wa.

ONYX 800R: MAIN

|           |             |                         |          |
|-----------|-------------|-------------------------|----------|
| SIZE: D   | SCALE: NONE | DWG. NO.: SCH0007715-00 | REV. B00 |
| DWG FILE: |             | SHEET 6 OF 18           |          |



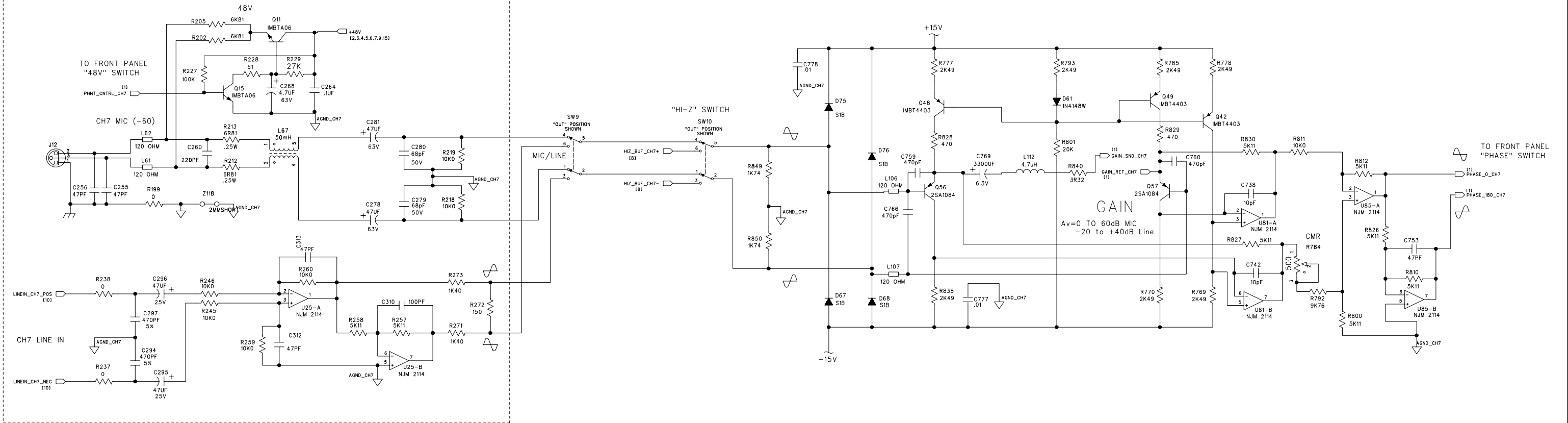


LOCATE NEAR BACK PANEL - CLOSE TO ENTRY POINT

# CHANNEL 7

D

D

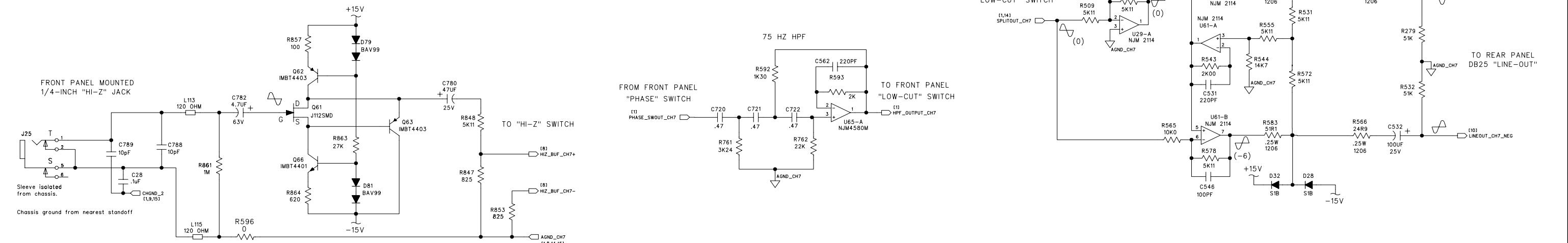


C

C

B

B



A

A



**MACKIE**  
Mackie Designs Inc. Woodinville, Wa.

ONYX 800R: MAIN

|           |             |                         |          |
|-----------|-------------|-------------------------|----------|
| SIZE: D   | SCALE: NONE | DWG. NO.: SCH0007715-00 | REV. B00 |
| DWG FILE: |             | SHEET 8 OF 18           |          |

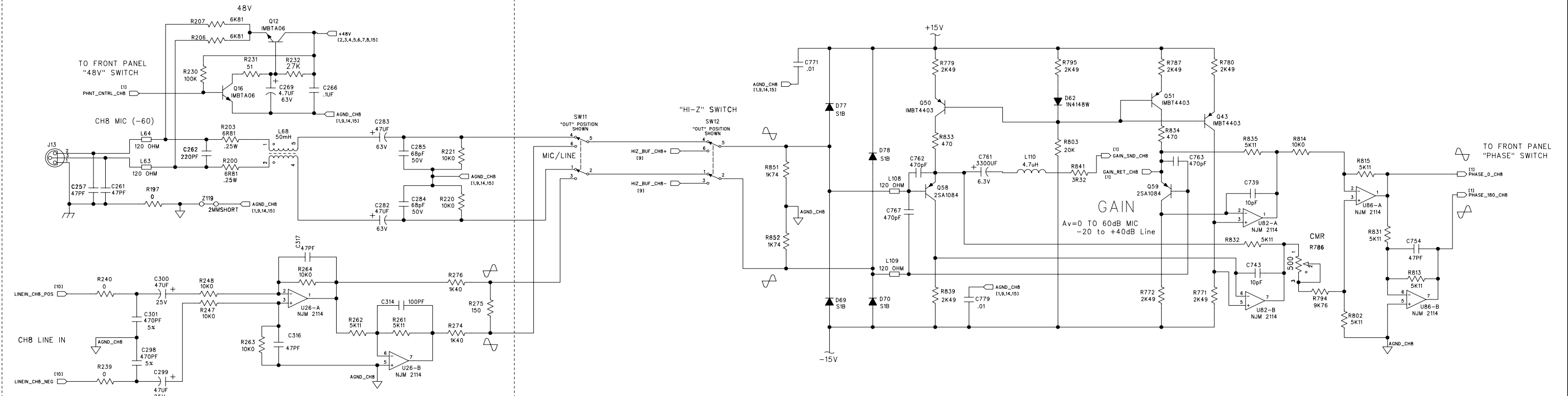


LOCATE NEAR BACK PANEL - CLOSE TO ENTRY POINT

# CHANNEL 8

D

D

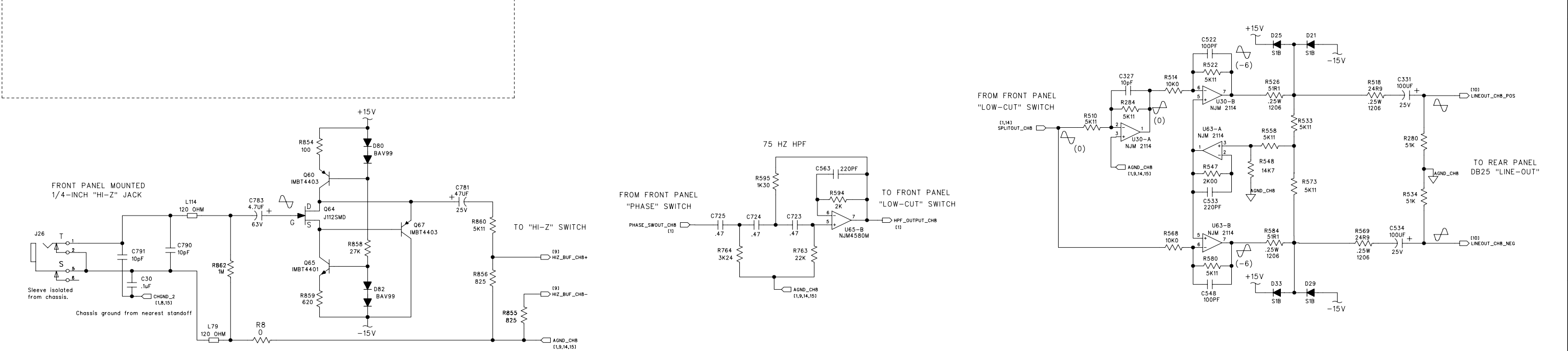


C

C

B

B



A

A



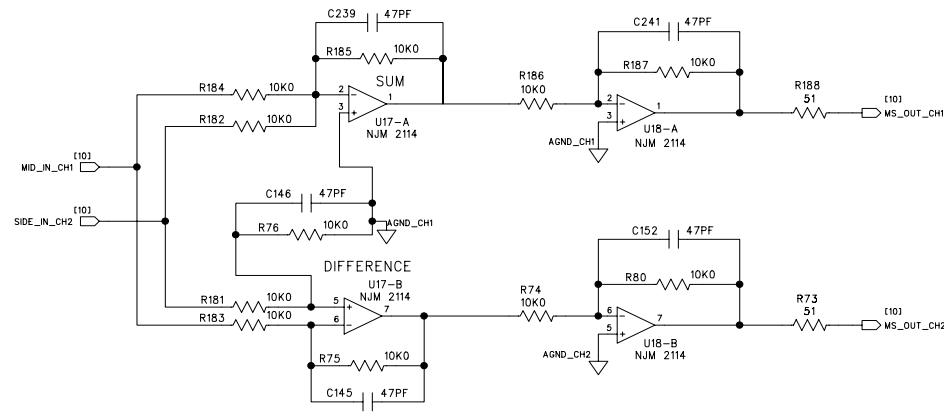
**MACKIE**  
Mackie Designs Inc. Woodinville, Wa.

ONYX 800R: MAIN

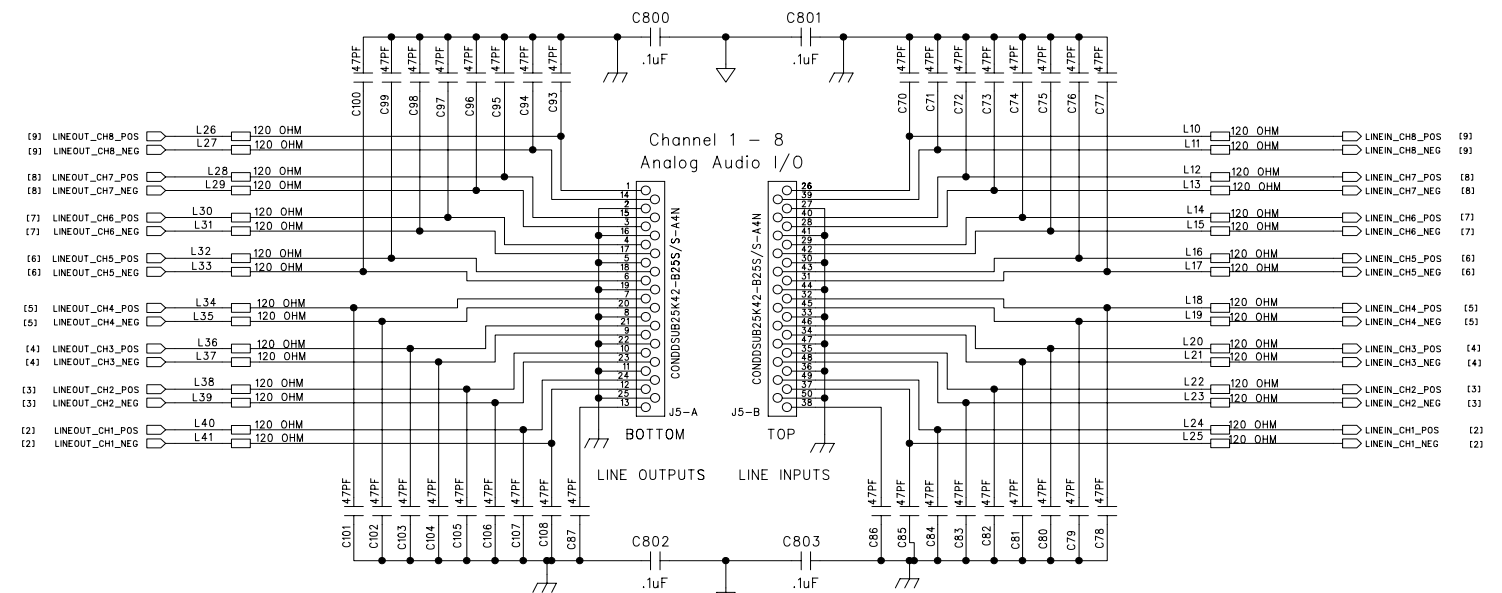
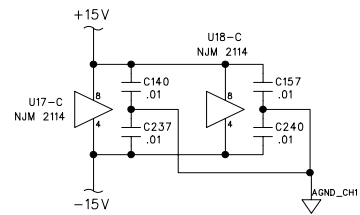
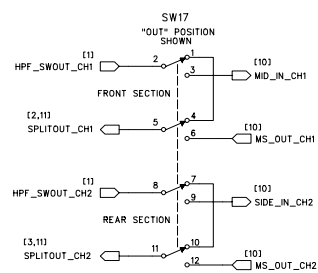
|           |             |                         |          |
|-----------|-------------|-------------------------|----------|
| SIZE: D   | SCALE: NONE | DWG. NO.: SCH0007715-00 | REV. B00 |
| DWG FILE: |             | SHEET 9 OF 18           |          |

# MID/SIDE MATRIX

# ANALOG I/O HEADERS



NORMAL MODE - SWITCH UP  
MID-SIDE MODE - SWITCH DOWN



**MACKIE**  
Mackie Designs Inc. Woodinville, Wa.

ONYX 800R: MAIN

|           |             |                         |           |
|-----------|-------------|-------------------------|-----------|
| SIZE: D   | SCALE: NONE | DWG. NO.: SCH0007715-00 | REV.: B00 |
| DWG FILE: |             | SHEET 10 OF 18          |           |

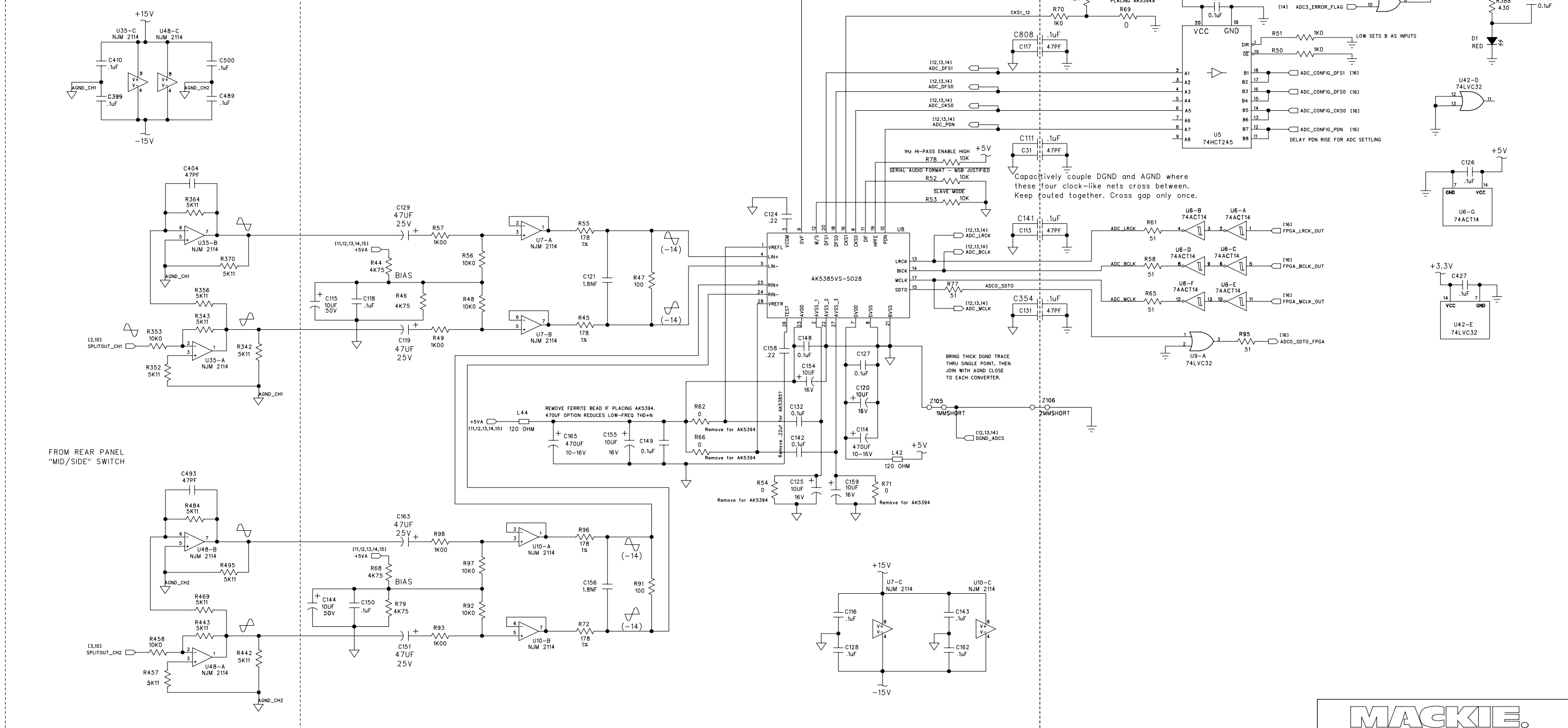
# A-TO-D CHANNELS 1 & 2

PLACE OVER AGND PLANE

PLACE OVER DGND PLANE

LOCATE ALONG CHANNELS

LOCATE ALONG AGND/DGND EDGE



FROM REAR PANEL  
"MID/SIDE" SWITCH



## ONYX 800R: MAIN

|           |             |                         |          |
|-----------|-------------|-------------------------|----------|
| SIZE: D   | SCALE: NONE | DWG. NO.: SCH0007715-00 | REV. B00 |
| DWG FILE: |             | SHEET 11 OF 18          |          |

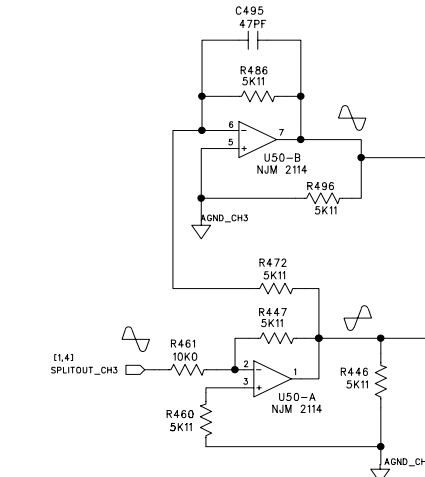
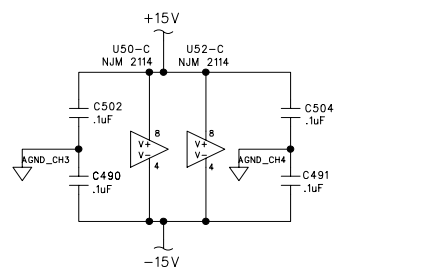
# A-T-O-D CHANNELS 3 & 4

PLACE OVER AGND PLANE

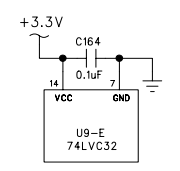
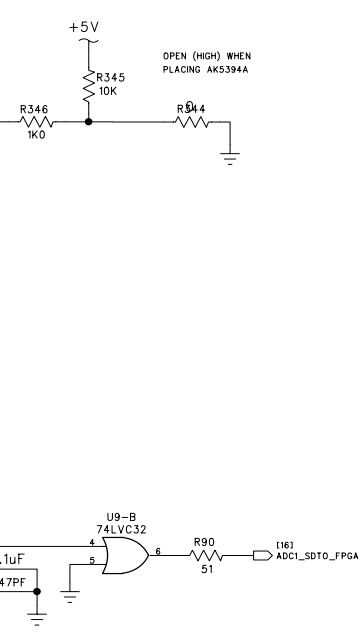
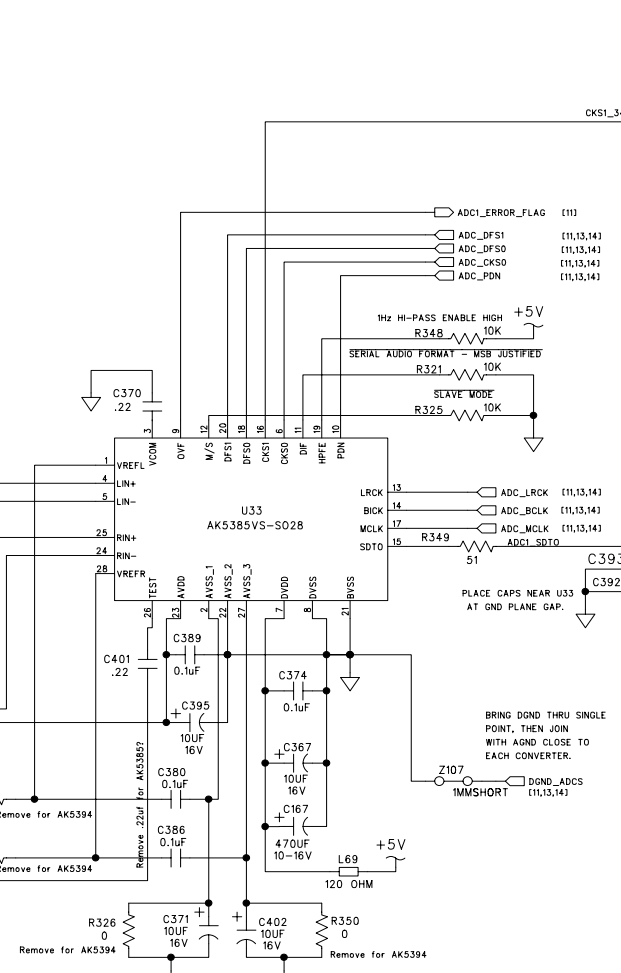
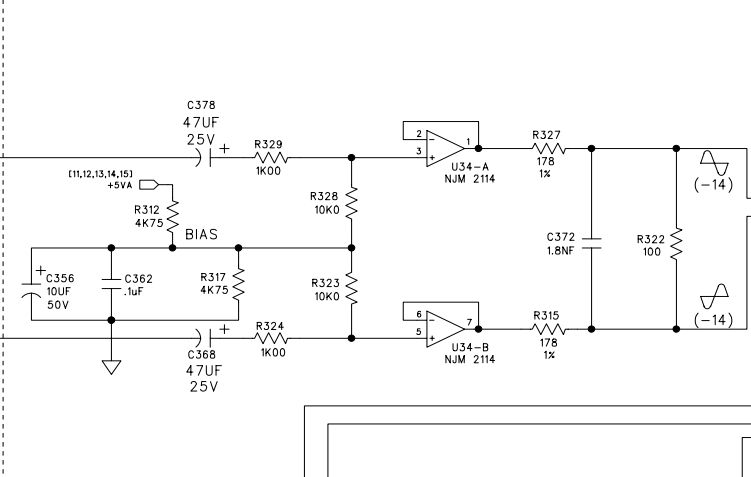
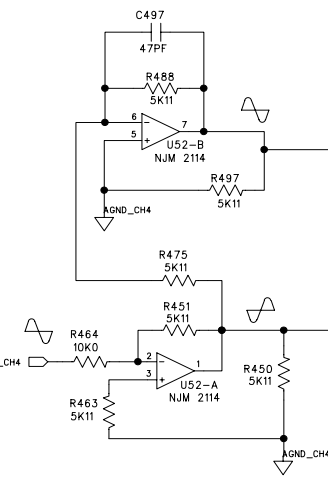
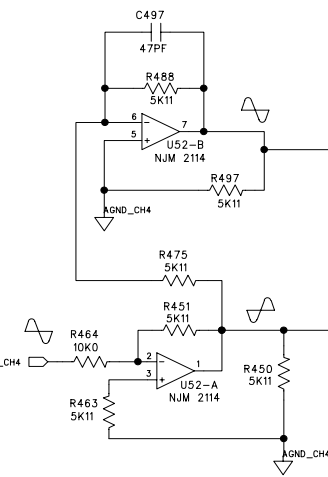
PLACE OVER DGND PLANE

LOCATE ALONG CHANNELS

LOCATE ALONG AGND/DGND EDGE



FROM FRONT PANEL "LOW-CUT" SWITCH



**MACKIE**  
Mackie Designs Inc. Woodinville, Wa.

ONYX 800R: MAIN

|           |             |                         |          |
|-----------|-------------|-------------------------|----------|
| SIZE: D   | SCALE: NONE | DWG. NO.: SCH0007715-00 | REV. B00 |
| DWG FILE: |             | SHEET 12 OF 18          |          |

# A-TO-D CHANNELS 5 & 6

PLACE OVER AGND PLANE

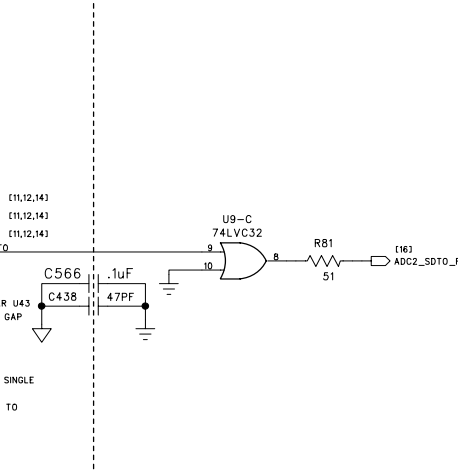
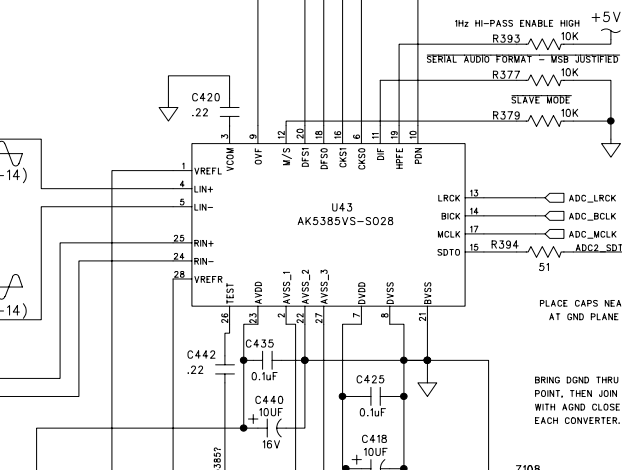
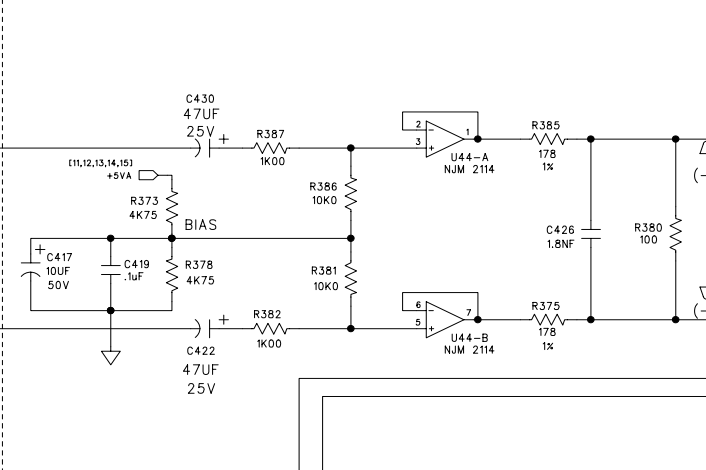
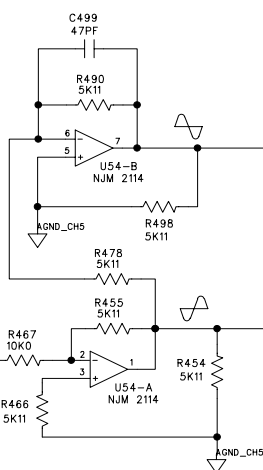
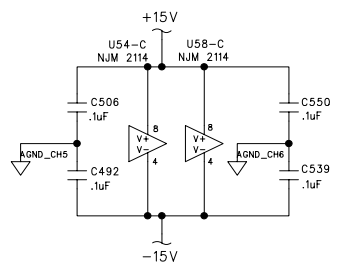
PLACE OVER DGND PLANE

D

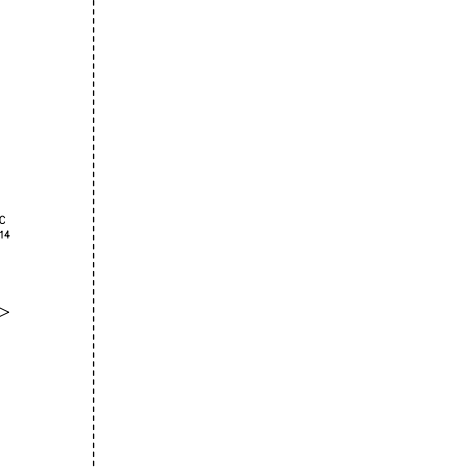
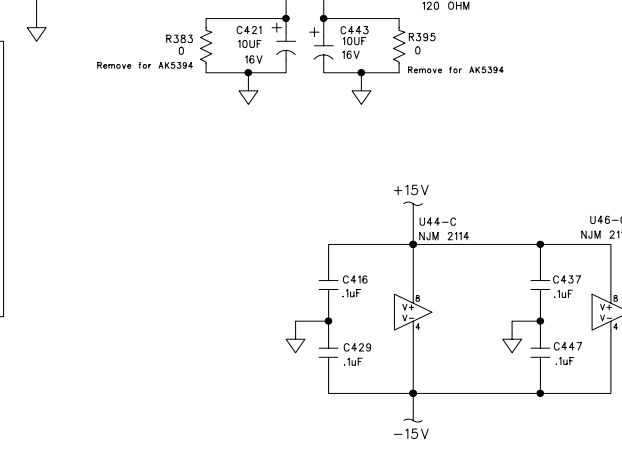
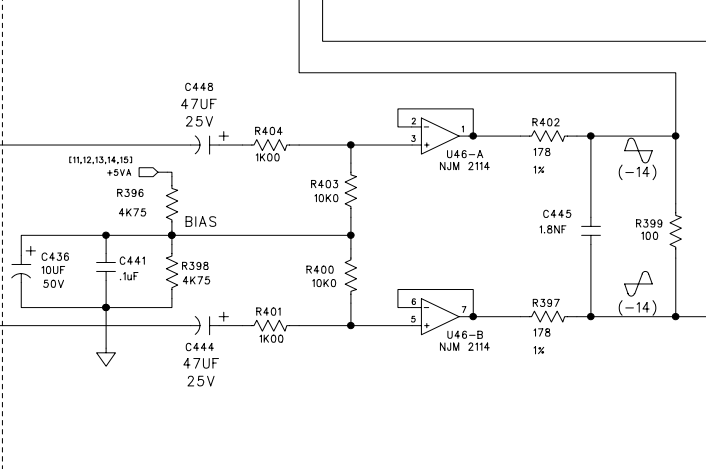
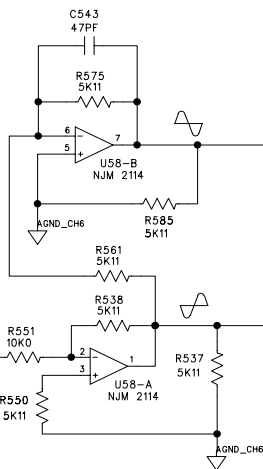
D

LOCATE ALONG CHANNELS

LOCATE ALONG AGND/DGND EDGE



FROM FRONT PANEL "LOW-CUT" SWITCH



B

B

A

A

**MACKIE**  
Mackie Designs Inc. Woodinville, Wa.

ONYX 800R: MAIN

|           |             |                         |           |
|-----------|-------------|-------------------------|-----------|
| SIZE: D   | SCALE: NONE | DWG. NO.: SCH0007715-00 | REV.: B00 |
| DWG FILE: |             | SHEET 13 OF 18          |           |

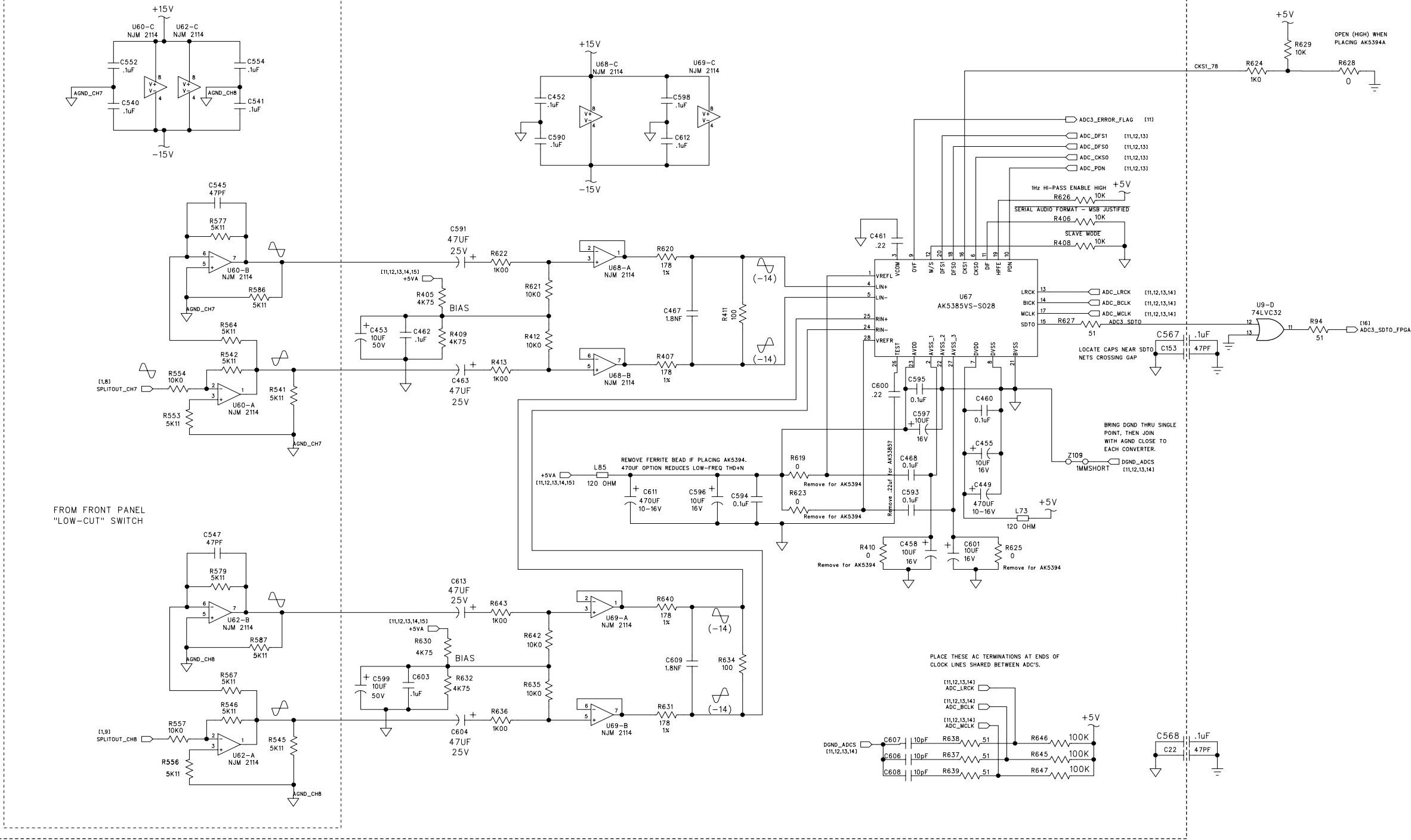
# A-TO-D CHANNELS 7 & 8

PLACE OVER AGND PLANE

PLACE OVER DGND PLANE

LOCATE ALONG CHANNELS

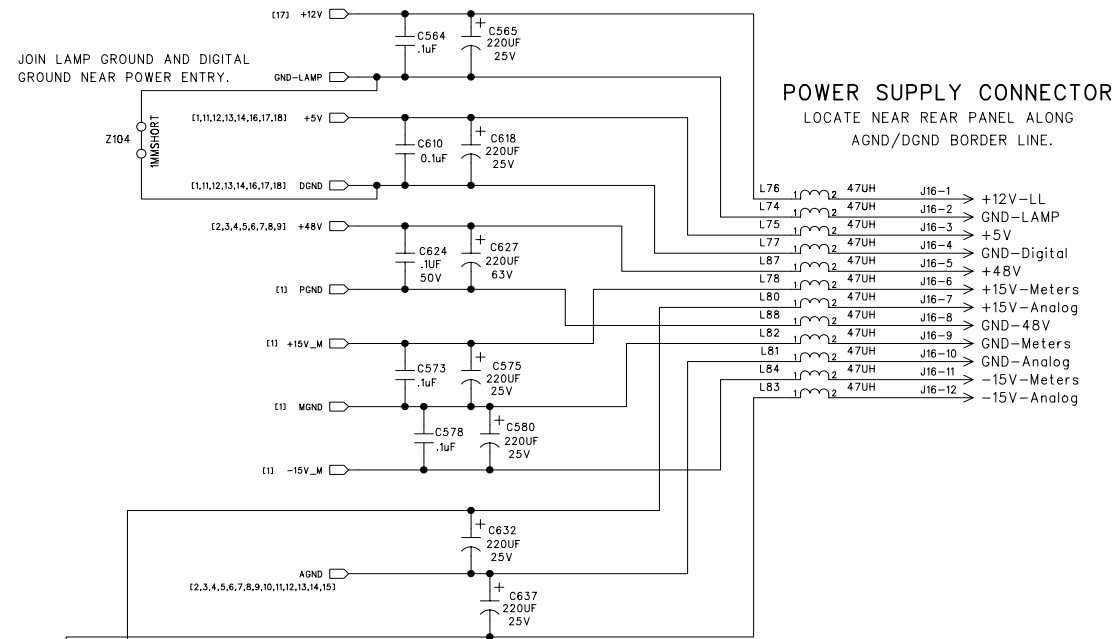
LOCATE ALONG AGND/DGND EDGE



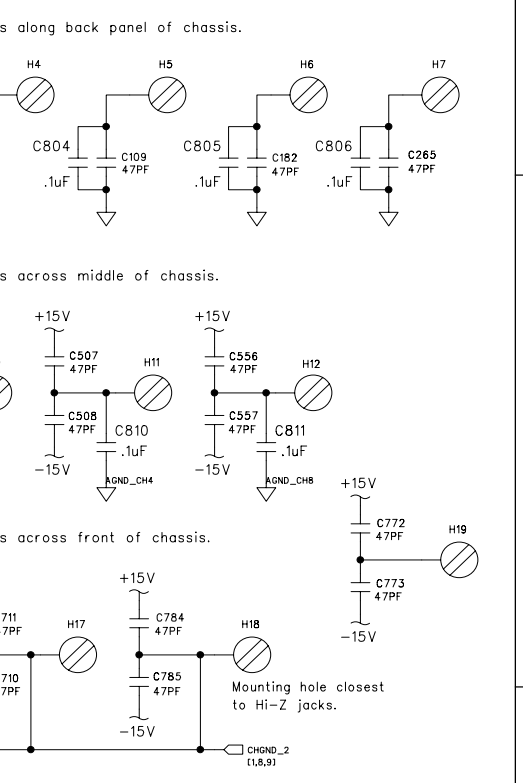
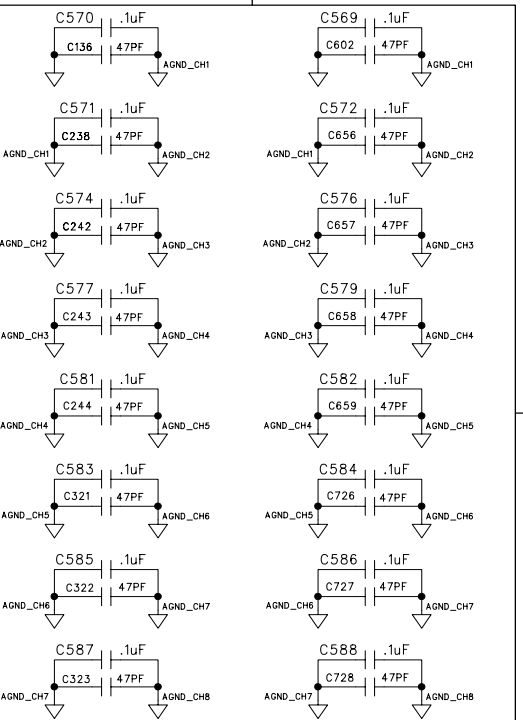
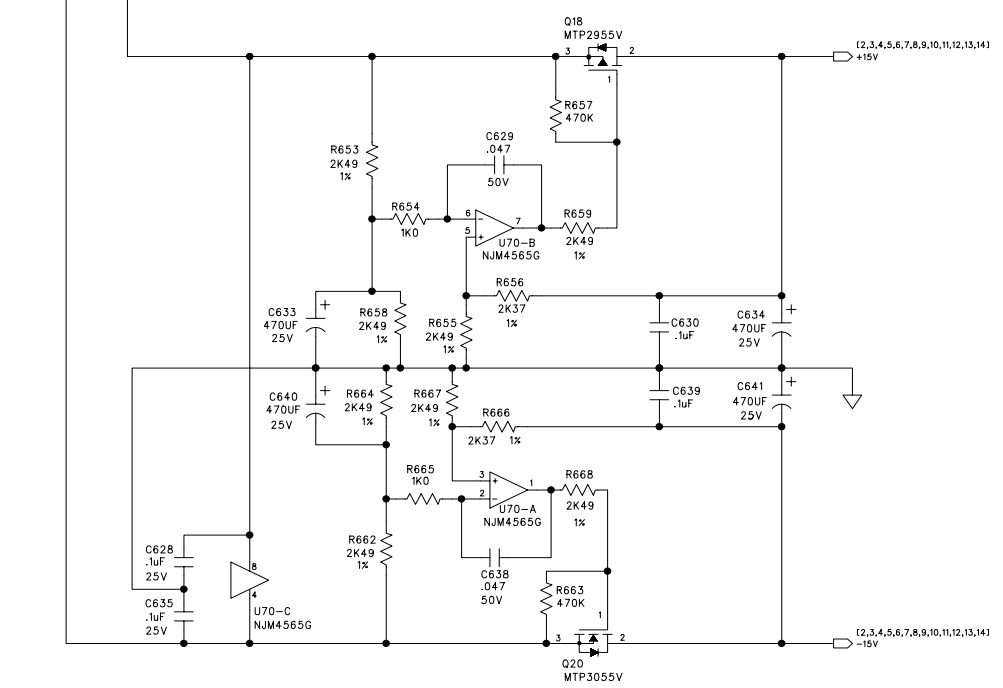
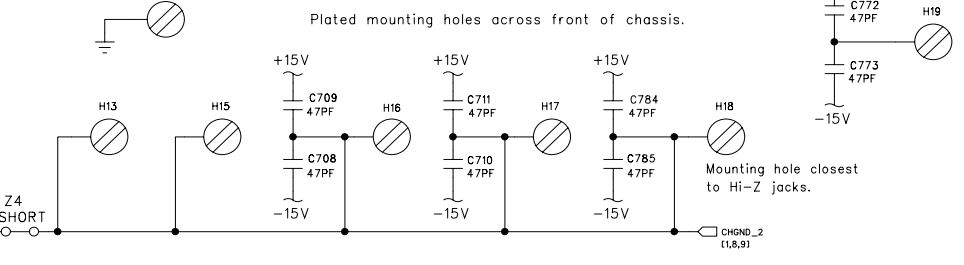
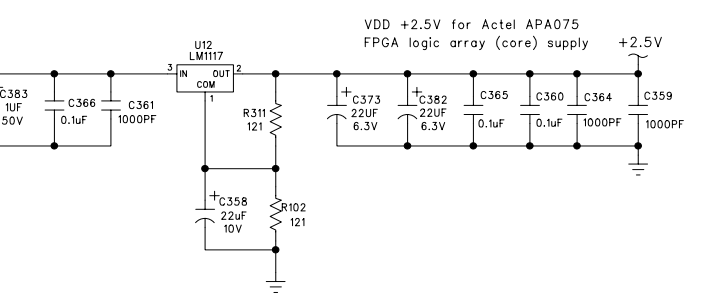
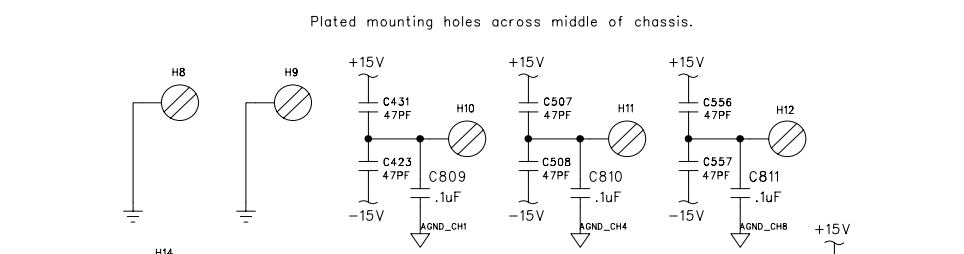
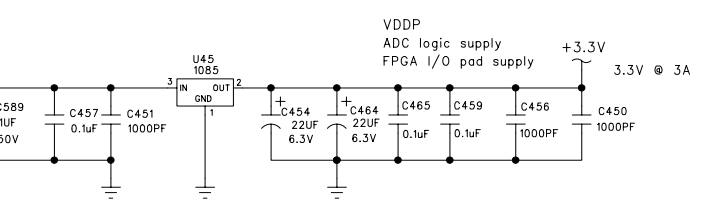
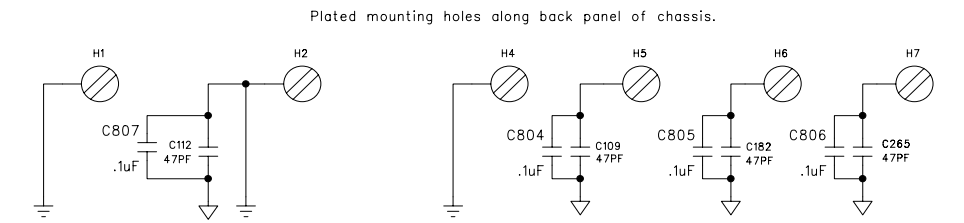
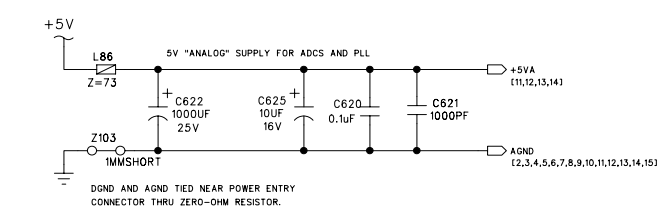
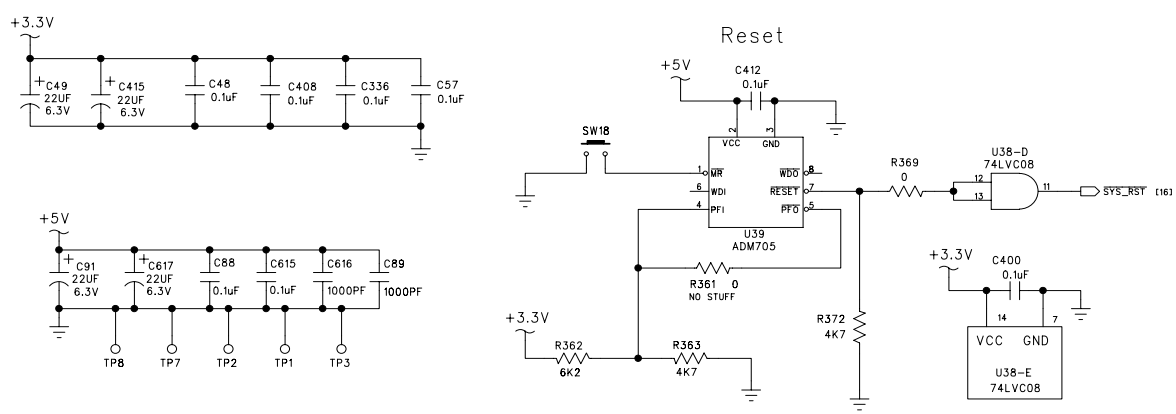
## ONYX 800R: MAIN

|           |             |                         |           |
|-----------|-------------|-------------------------|-----------|
| SIZE: D   | SCALE: NONE | DWG. NO.: SCH0007715-00 | REV.: B00 |
| DWG FILE: |             | SHEET 14 OF 18          |           |

# POWER ENTRY AND RESET



General decoupling and ground points spread evenly around digital section of board.



**MACKIE**  
Mackie Designs Inc. Woodinville, Wa.

ONYX 800R: MAIN

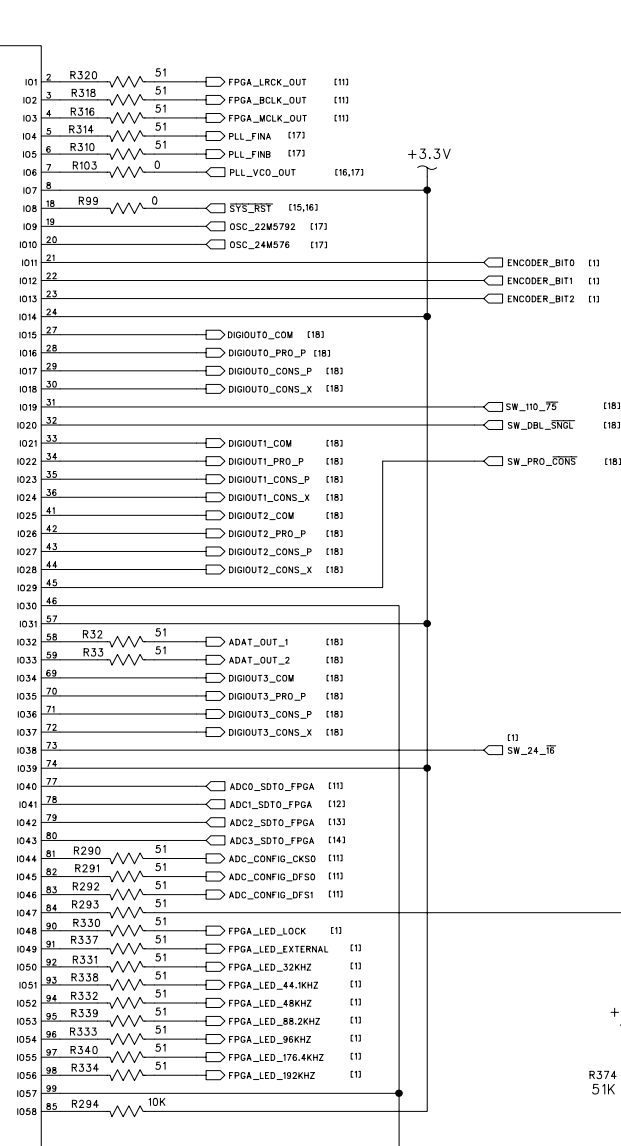
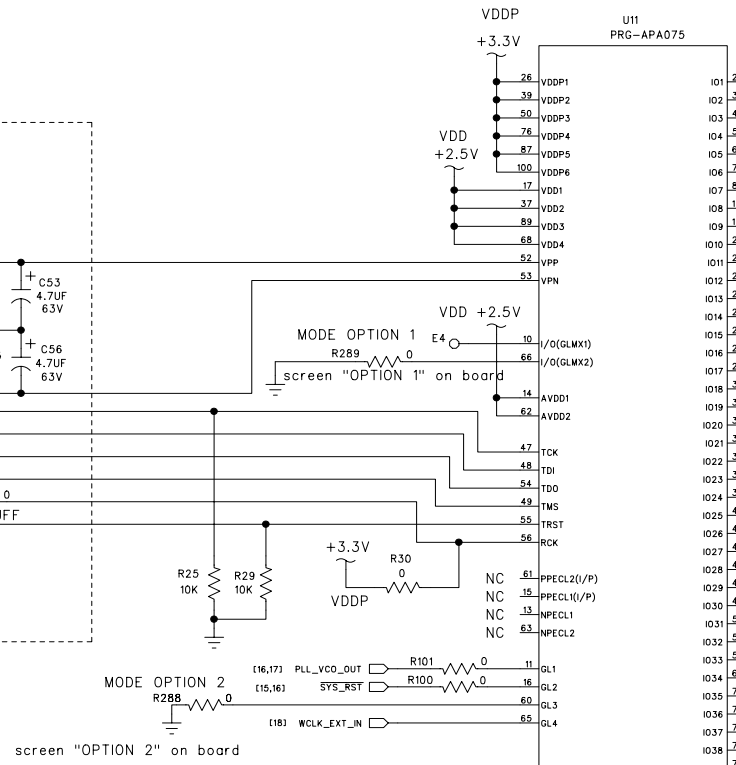
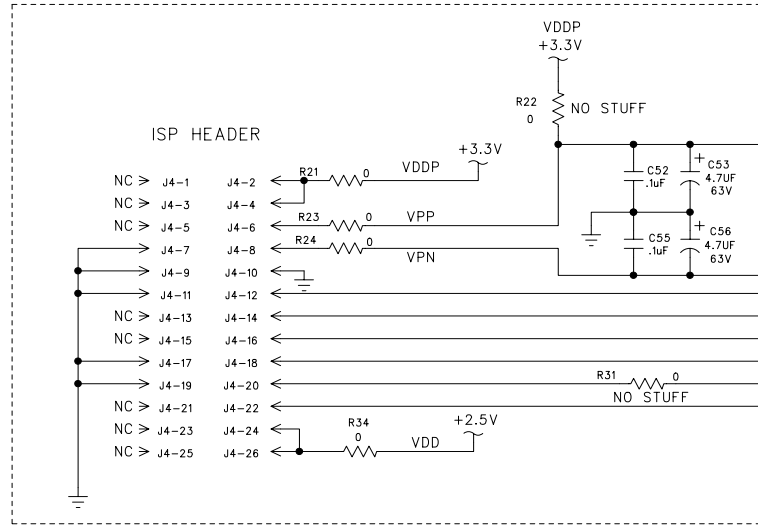
|           |             |                         |           |
|-----------|-------------|-------------------------|-----------|
| SIZE: D   | SCALE: NONE | DWG. NO.: SCH0007715-00 | REV.: B00 |
| DWG FILE: |             | SHEET 15 OF 18          |           |



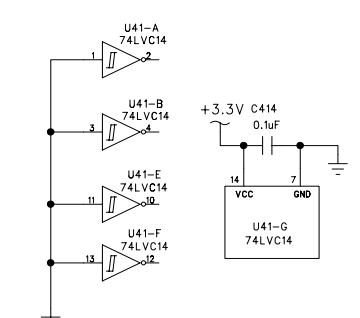
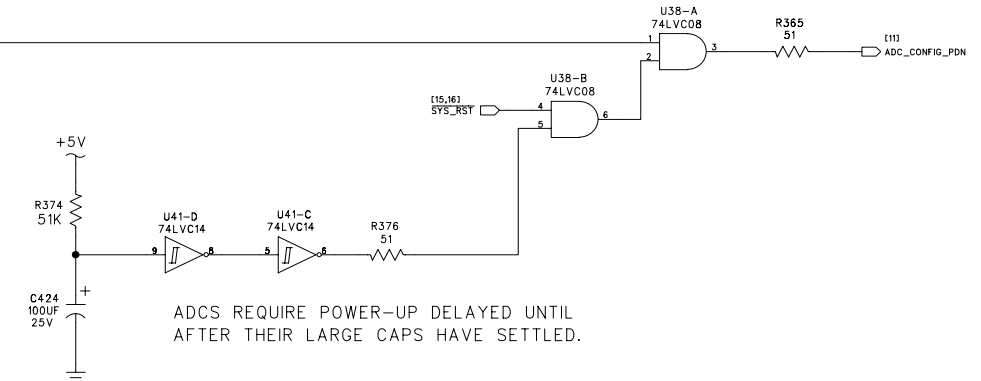
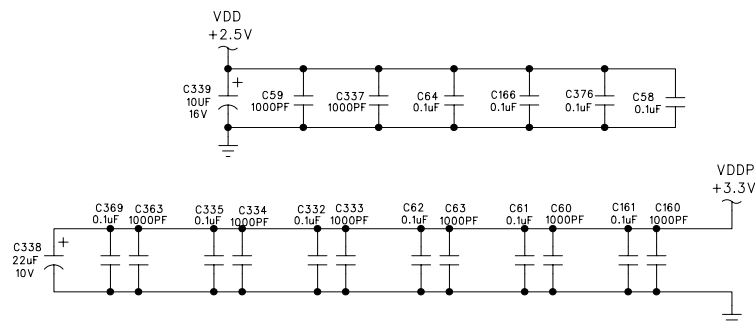
# FPGA

NOTE: FPGA pinout, footprint and ISP is compatible with future next generation Actel ProASIC (see GCJ - details are under NDA)

### JTAG INTERFACE - DEVELOPMENT ONLY.



### LOCAL DECOUPLING AROUND FPGA



**MACKIE**  
Mackie Designs Inc. Woodinville, Wa.

ONYX 800R: MAIN

|           |             |                         |           |
|-----------|-------------|-------------------------|-----------|
| SIZE: D   | SCALE: NONE | DWG. NO.: SCH0007715-00 | REV.: B00 |
| DWG FILE: |             | SHEET 16 OF 18          |           |

# PLL AND CLOCKS

D

C

B

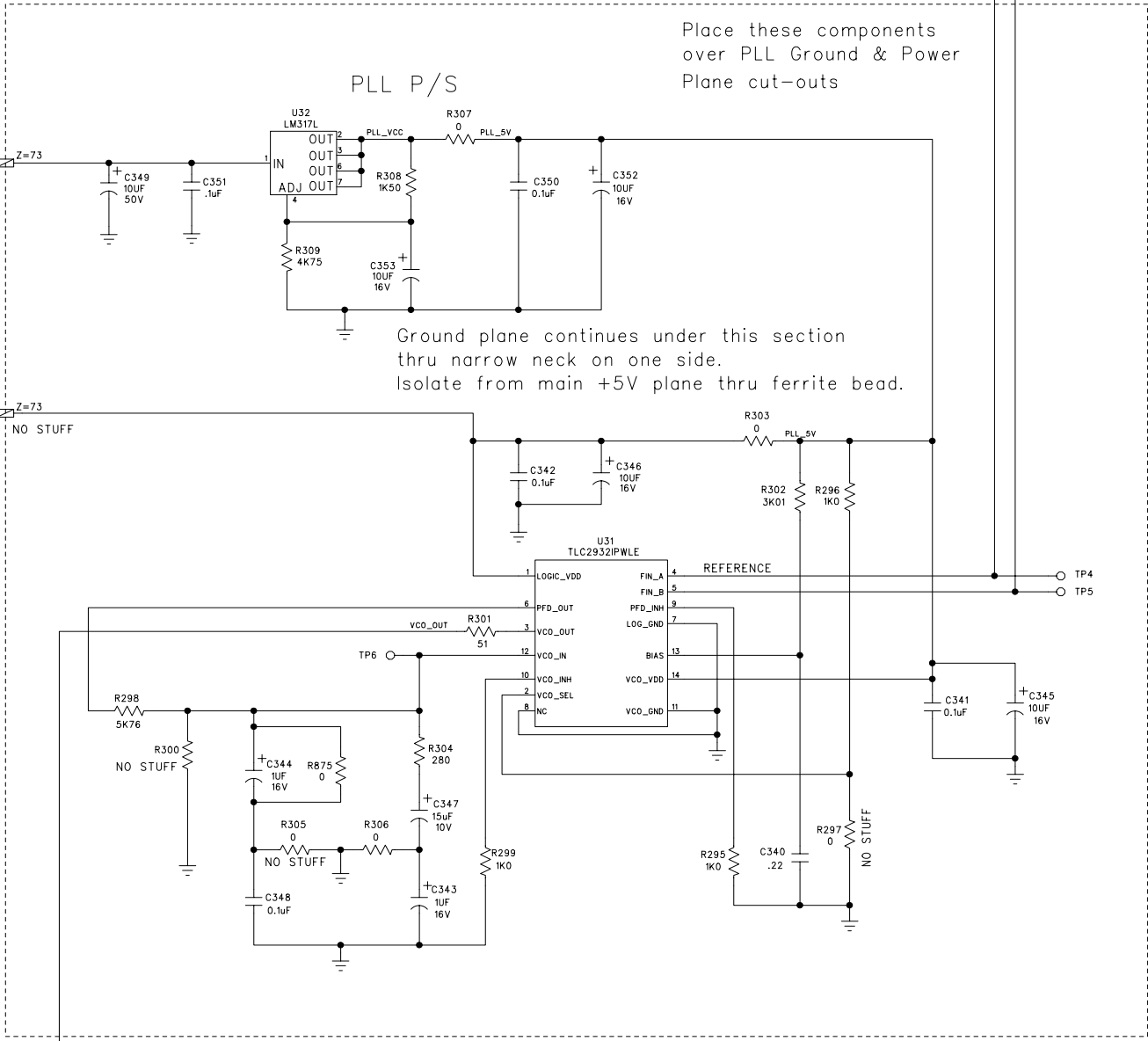
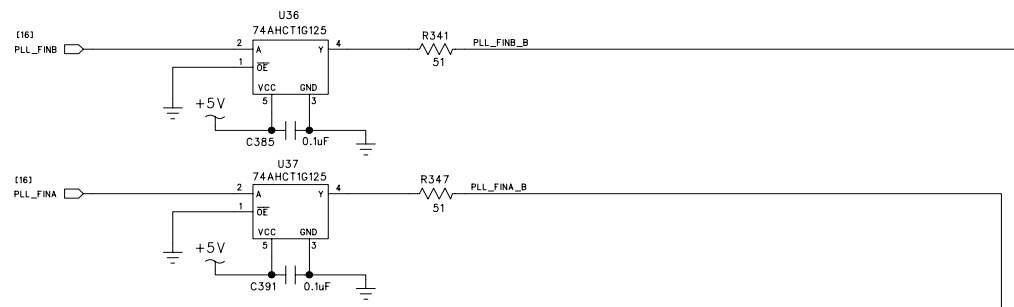
A

D

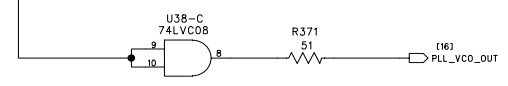
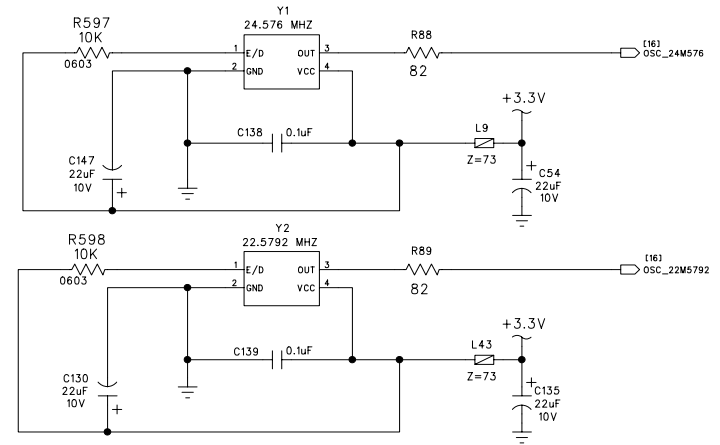
C

B

A



LOCATE THESE FERRITE BEADS OVER "TONGUE" OF GROUND PLANE CONNECTING ISOLATED AREA TO MAIN DGND SECTION.



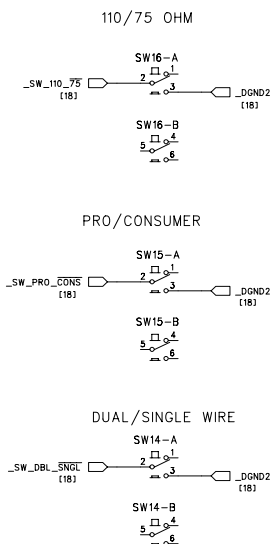
**MACKIE**  
Mackie Designs Inc. Woodinville, Wa.

ONYX 800R: MAIN

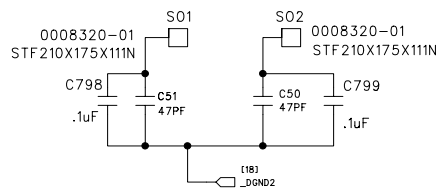
|           |             |                         |           |
|-----------|-------------|-------------------------|-----------|
| SIZE: D   | SCALE: NONE | DWG. NO.: SCH0007715-00 | REV.: B00 |
| DWG FILE: |             | SHEET 17 OF 18          |           |

# REAR PANEL DIGITAL I/O

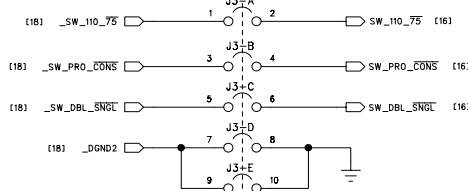
## SWITCH BOARD BREAK-AWAY FOR FORMAT SELECT SWITCHES



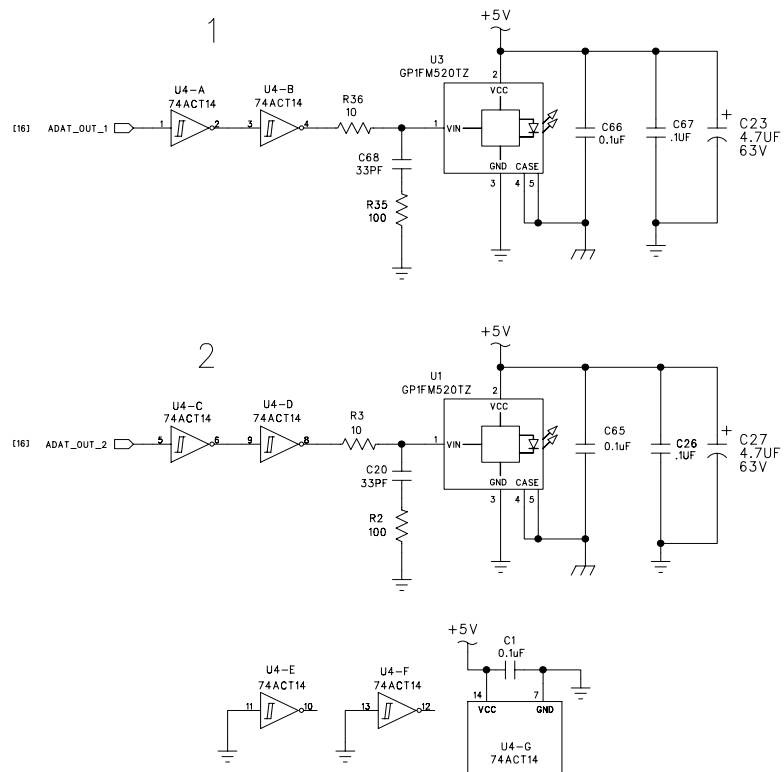
### CHASSIS MOUNTING POINTS



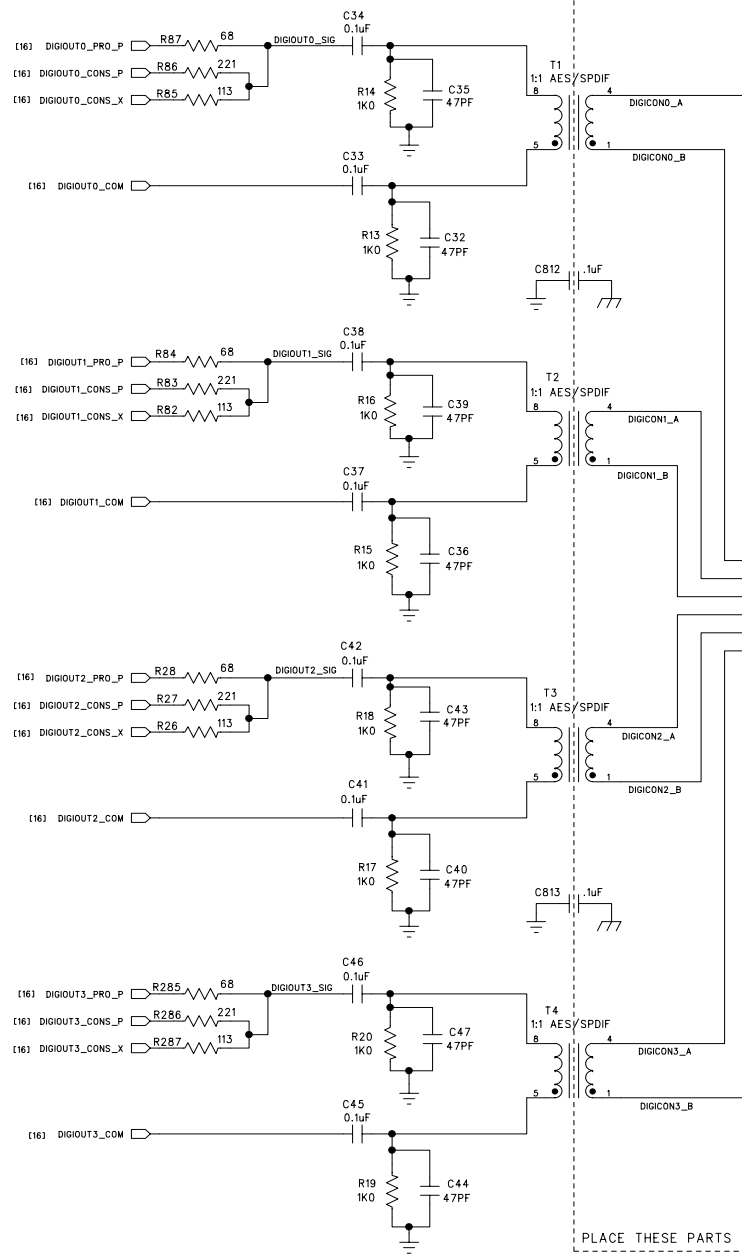
### "SWITCH BOARD" BREAK-AWAY SIDE



## ADAT OPTICAL OUT

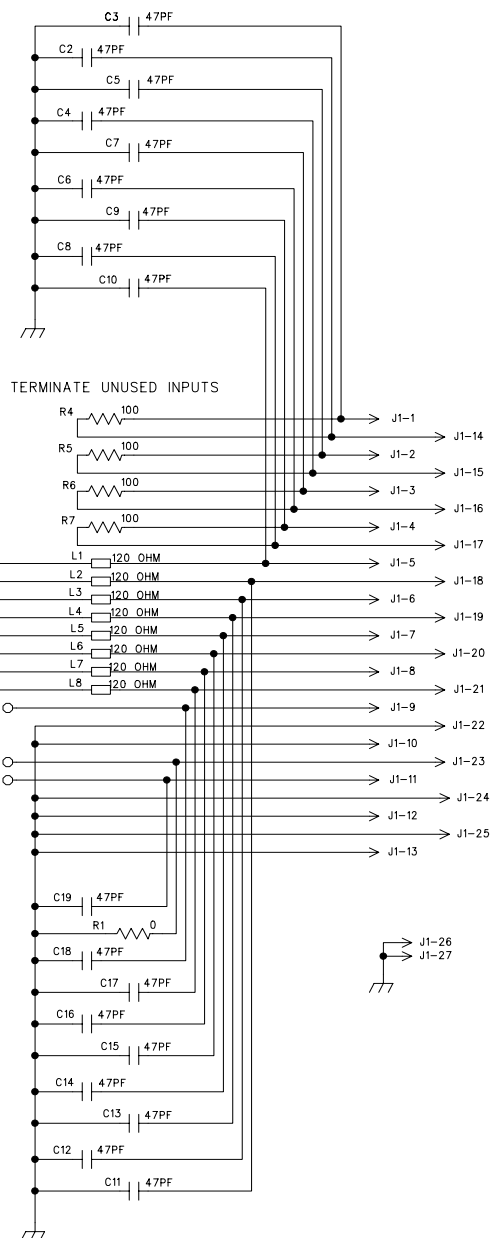


LOCATE ISOLATION TRANSFORMERS AS CLOSE TO OUTPUT CONNECTOR "J1" AS POSSIBLE. TRANSFORMERS BRIDGE GAP BETWEEN DGND AND CHGND PLANE AREAS



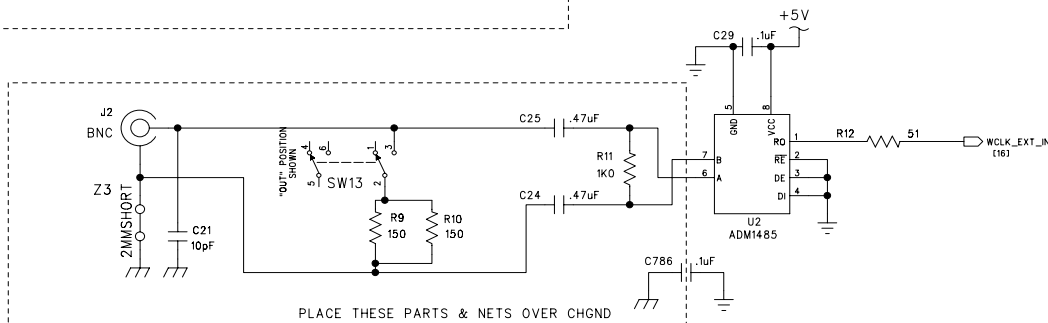
PLACE THESE PARTS & NETS OVER CHGND

## AES3 or S/PDIF output DSUB-25



Z1 and Z2 short across gaps between planes near clock-like signals going across them.

## WORDCLOCK INPUT



PLACE THESE PARTS & NETS OVER CHGND

**MACKIE**  
Mackie Designs Inc. Woodinville, Wa.

ONYX 800R: MAIN

|           |             |                         |           |
|-----------|-------------|-------------------------|-----------|
| SIZE: D   | SCALE: NONE | DWG. NO.: SCH0007715-00 | REV.: B00 |
| DWG FILE: |             | SHEET 18 OF 18          |           |