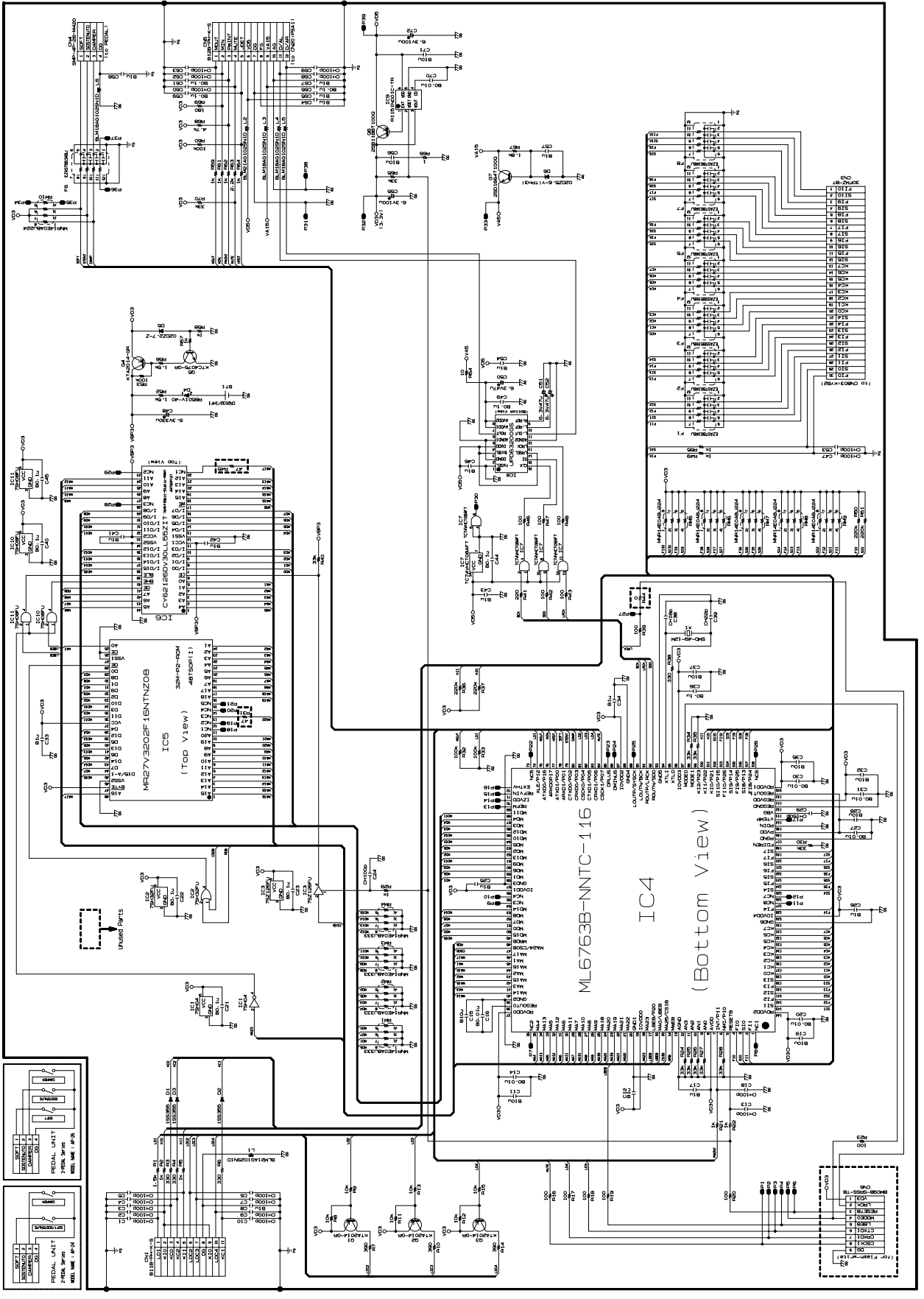
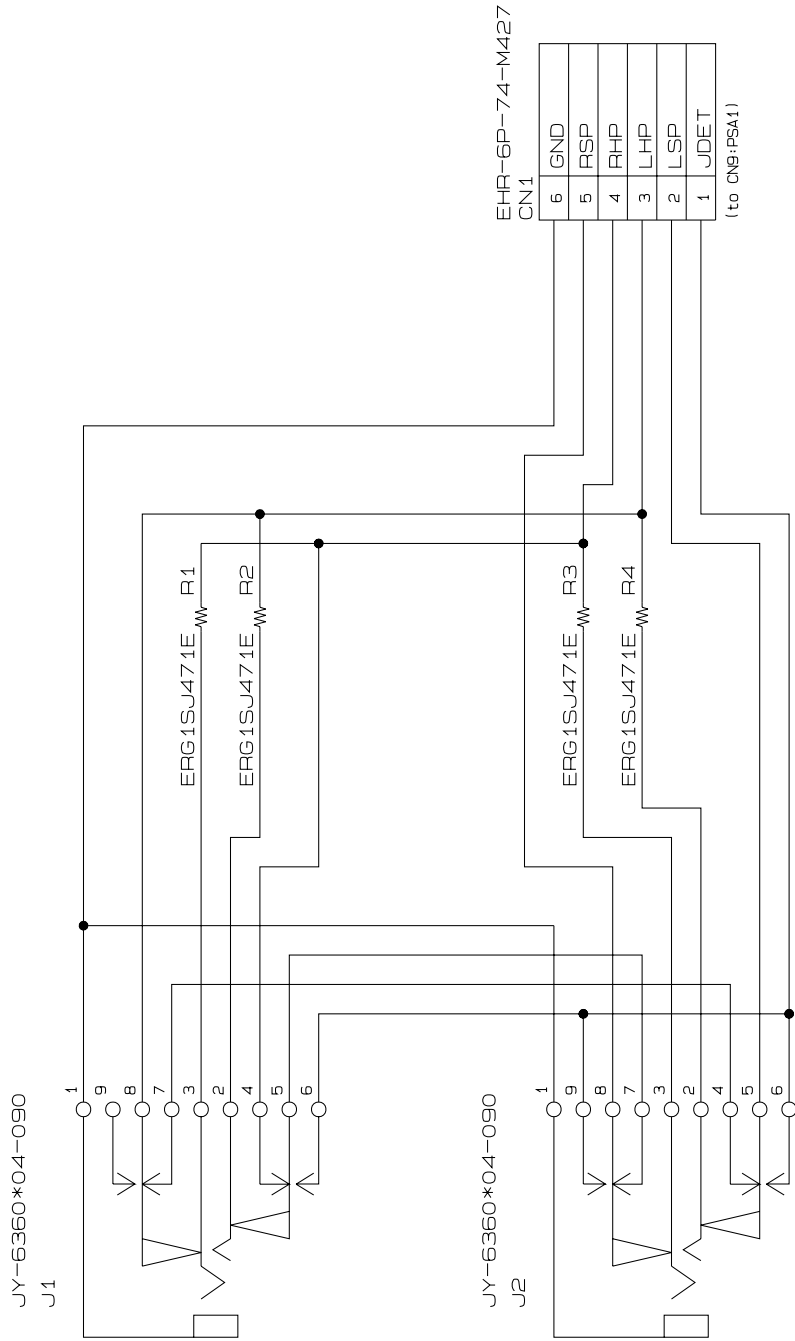


SCHEMATIC DIAGRAMS

MAIN PCB M420-MAA1



JACK PCB M420-PSA2



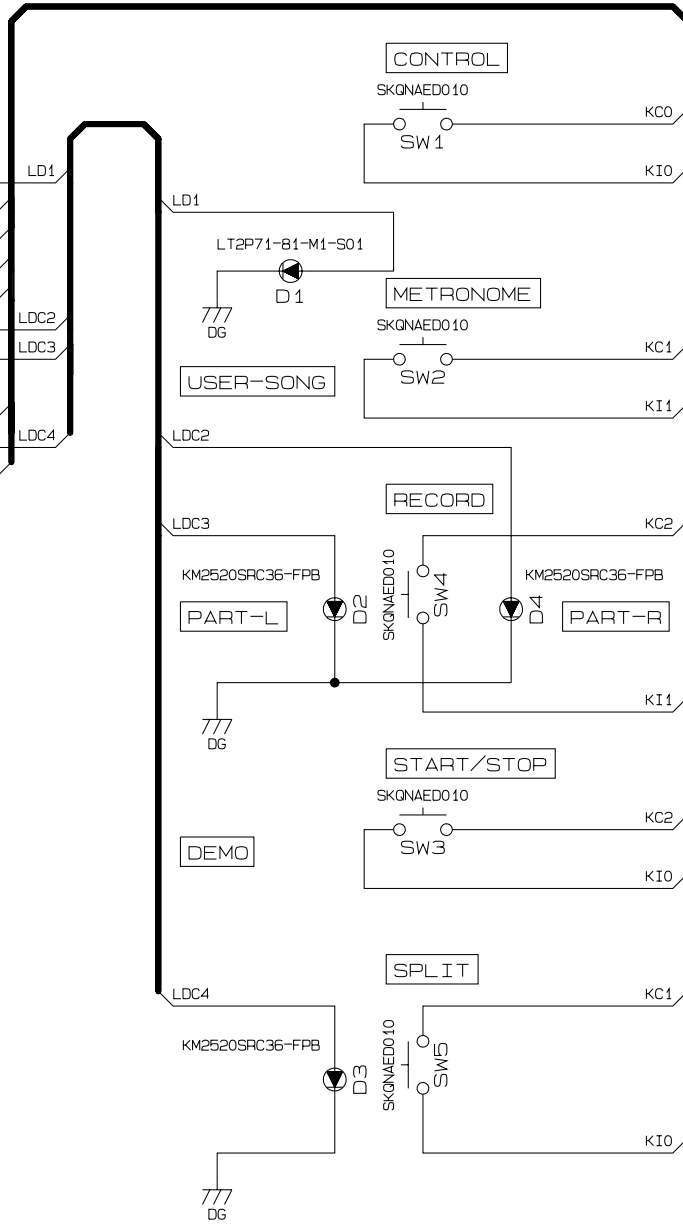
CONSOLE PCB M420-PSA3

JB20-11P-101-M420
CN1

LD1	1	KI0
KI0	2	KC0
KC0	3	KC2
KC2	4	KI1
KI1	5	LDC2
LDC2	6	LDC3
LDC3	7	LDC4
DG	8	KI0
KI0	9	LDC4
LDC4	10	KC1
KC1	11	

(to CN1:MAA1)

DG

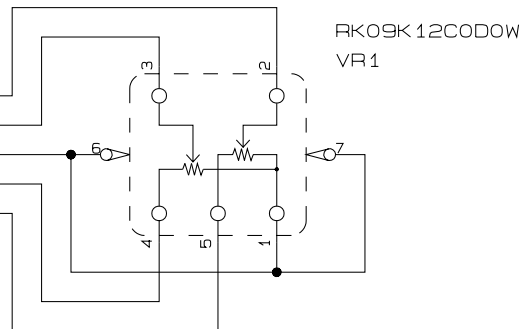


PHR-5P-99-M427
CN2

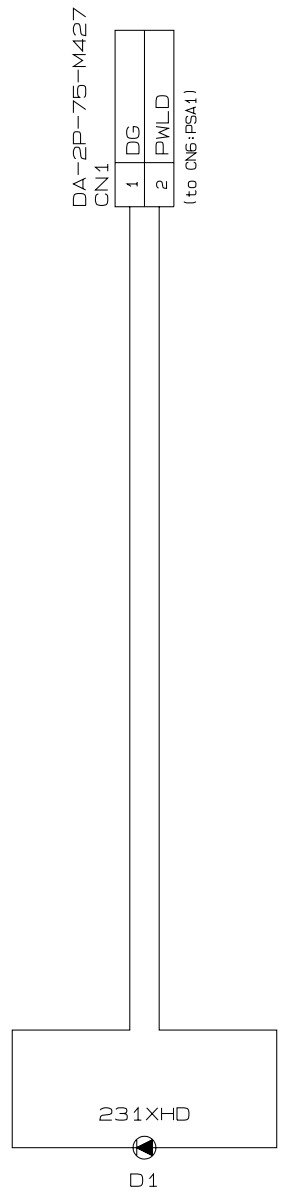
Y (ROUT)	1
O (LOUT)	2
BK (AG)	3
R (LIN)	4
BR (RIN)	5

(to CN18:PSA1)

AG

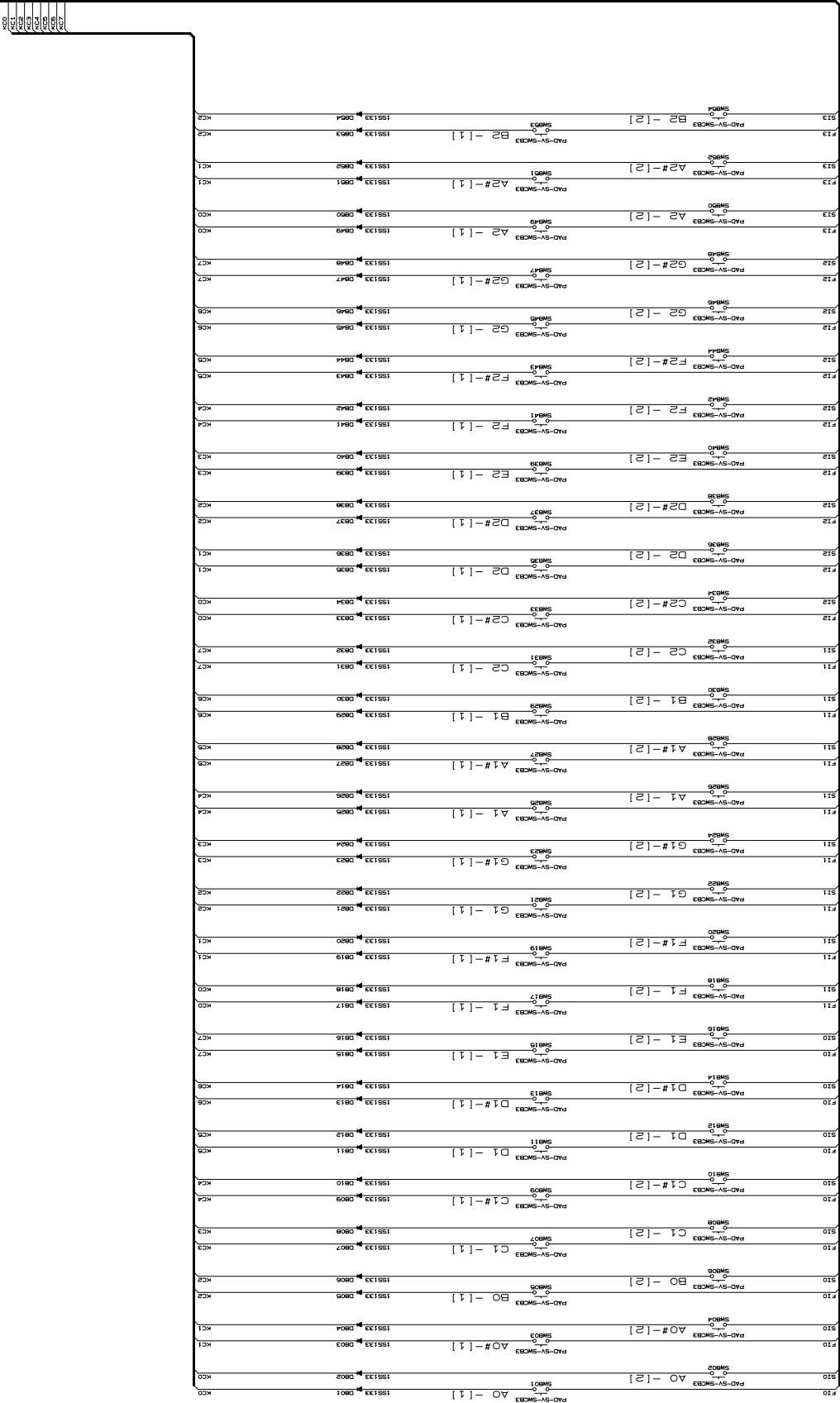


LED PCB M420-PSA4



Keyboard PCB MPCK-KYA1

PCB	100
PCB	101
PCB	102
PCB	103
PCB	104
PCB	105
PCB	106
PCB	107
PCB	108
PCB	109
PCB	110
PCB	111
PCB	112
PCB	113
PCB	114
PCB	115
PCB	116
PCB	117
PCB	118
PCB	119
PCB	120
PCB	121
PCB	122
PCB	123
PCB	124
PCB	125
PCB	126
PCB	127
PCB	128
PCB	129
PCB	130
PCB	131
PCB	132
PCB	133
PCB	134
PCB	135
PCB	136
PCB	137
PCB	138
PCB	139
PCB	140
PCB	141
PCB	142
PCB	143
PCB	144
PCB	145
PCB	146
PCB	147
PCB	148
PCB	149
PCB	150
PCB	151
PCB	152
PCB	153
PCB	154
PCB	155
PCB	156
PCB	157
PCB	158
PCB	159
PCB	160
PCB	161
PCB	162
PCB	163
PCB	164
PCB	165
PCB	166
PCB	167
PCB	168
PCB	169
PCB	170
PCB	171
PCB	172
PCB	173
PCB	174
PCB	175
PCB	176
PCB	177
PCB	178
PCB	179
PCB	180
PCB	181
PCB	182
PCB	183
PCB	184
PCB	185
PCB	186
PCB	187
PCB	188
PCB	189
PCB	190
PCB	191
PCB	192
PCB	193
PCB	194
PCB	195
PCB	196
PCB	197
PCB	198
PCB	199
PCB	200



- A0
- A0#
- B0
- C1
- C1#
- D1
- D1#
- E1
- F1
- F1#
- G1
- G1#
- A1
- A1#
- B1
- C2
- C2#
- D2
- D2#
- E2
- F2
- F2#
- G2
- G2#
- A2
- A2#
- B2

