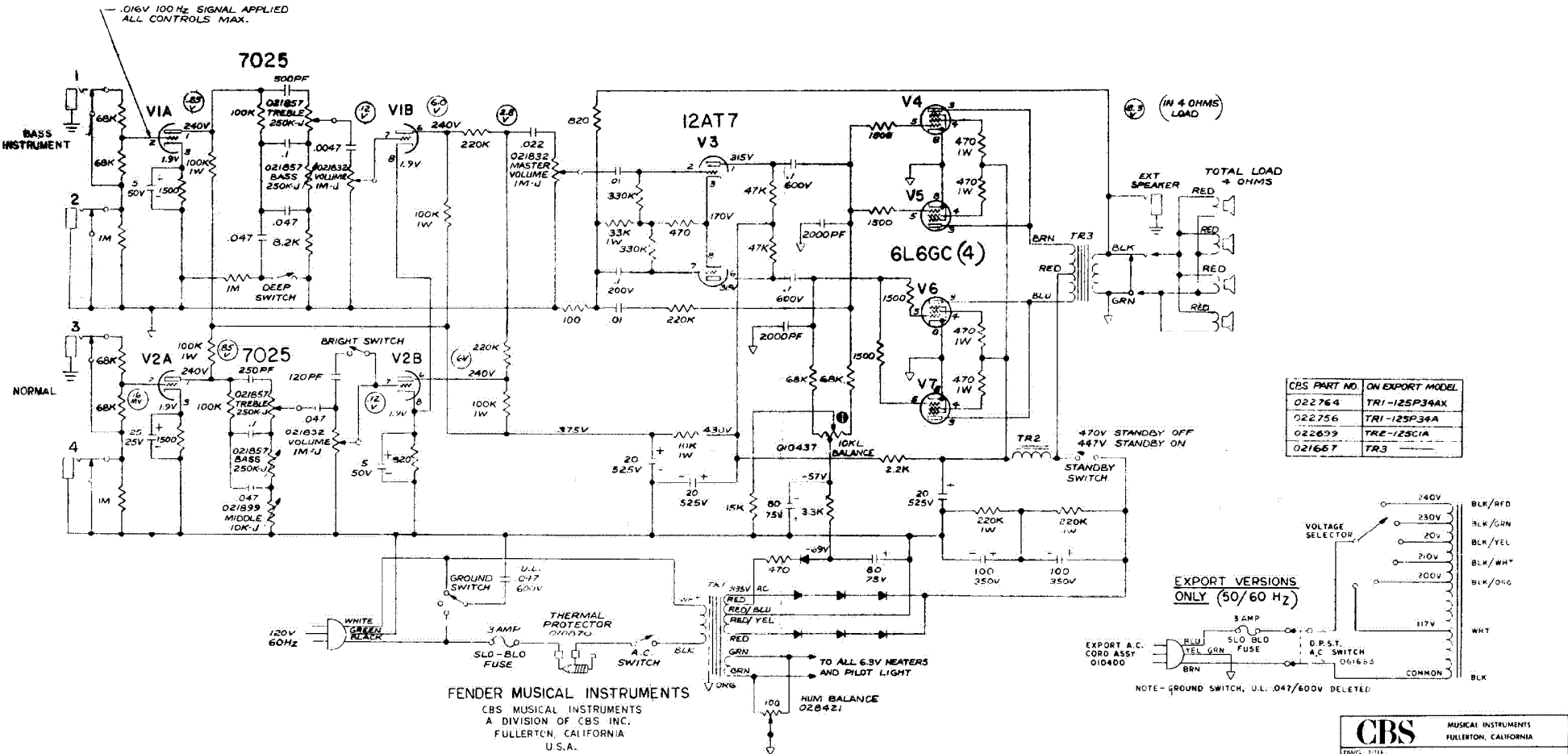


# FENDER MODEL BASSMAN 100-AMP

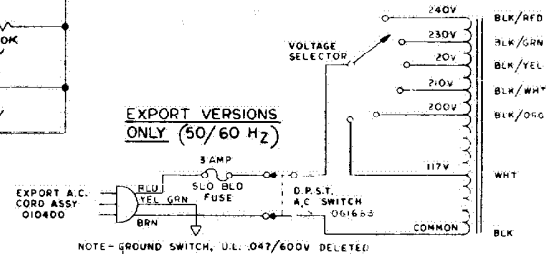
THIS PRODUCT MANUFACTURED UNDER ONE OR MORE OF THE FOLLOWING U.S. PATENTS:  
 #281778 #2973681 #192859 AND PATENTS PENDING

## NOTES:

1. VOLTAGES READ TO GROUND WITH V.T. V.M.
2. ALL RESISTORS 1/2 WATT 10% TOLERANCE IF NOT SPECIFIED
3. ALL CAPACITORS ARE AT LEAST 600V RATING IF NOT SPECIFIED.
4. (V) ARE AC VOLTAGES, FOR TEST ASSISTANCE.
5. 010870 USED IN SOME VERSIONS.



| CBS PART NO. | ON EXPORT MODEL |
|--------------|-----------------|
| 022764       | TRI-125P34AX    |
| 022756       | TRI-125P34A     |
| 022699       | TRE-125CIA      |
| 021667       | TR3             |



FENDER MUSICAL INSTRUMENTS  
 CBS MUSICAL INSTRUMENTS  
 A DIVISION OF CBS INC.  
 FULLERTON, CALIFORNIA  
 U.S.A.

**CBS** MUSICAL INSTRUMENTS  
 FULLERTON, CALIFORNIA

ENG. 1-111

— SCHEMATIC —  
**BASSMAN 100WATTS**  
**R.M.S. AMP T.T.**

CHK. NO. **010303** **F**