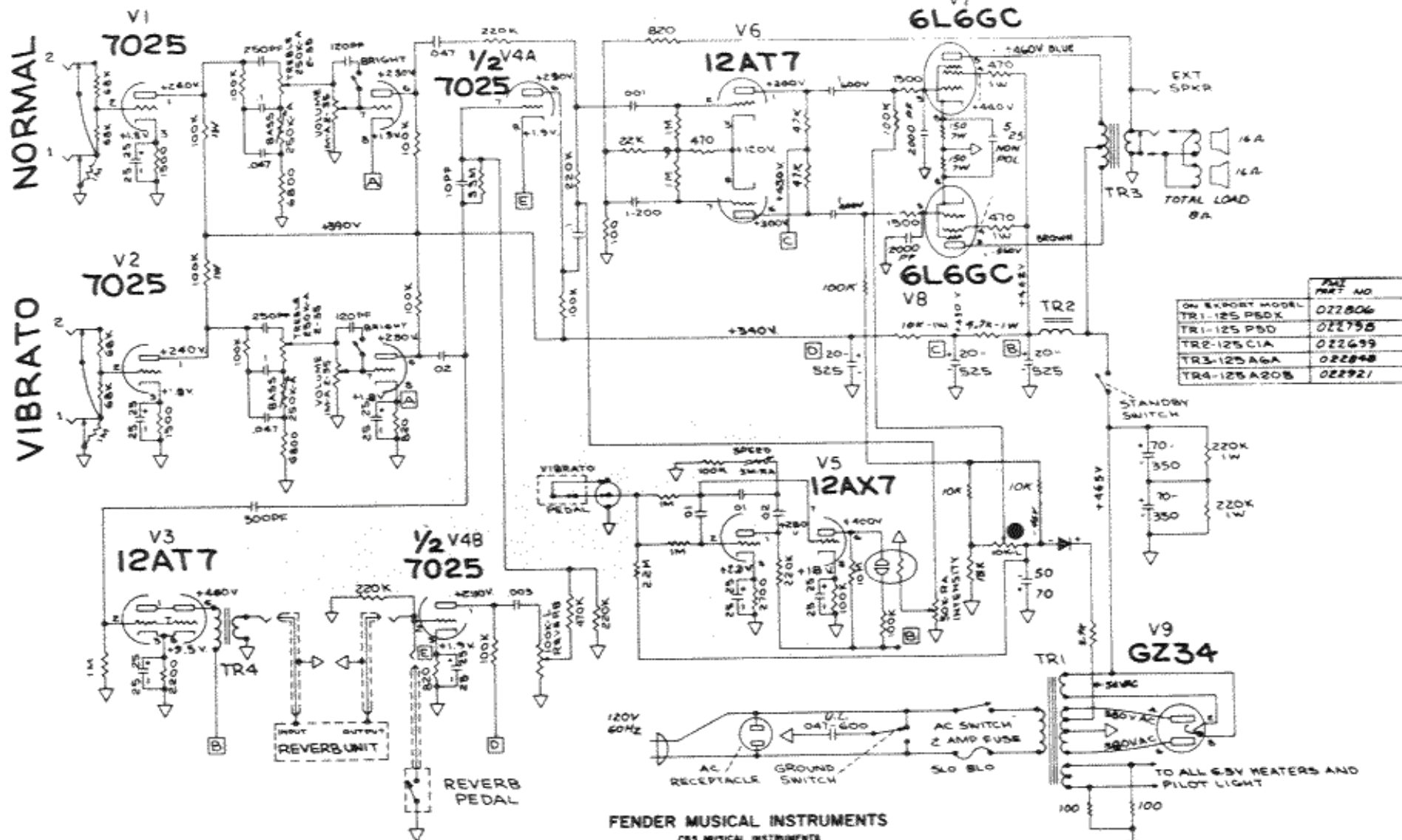


FENDER "PRO-REVERB-AMP AB668" SCHEMATIC

NOTICE

THIS PRODUCT MANUFACTURED UNDER ONE OR MORE OF THE FOLLOWING U.S. PATENTS -
 CIRCUIT PATENT # 2811008, # 2973461
 DESIGN PATENT # 192858
 PATENTS PENDING

1 VOLTAGE READ TO GROUND WITH ELECTRONIC VOLTMETER VALUES SHOWN FOR 20% VARIATION FROM AVG
 2 ALL RESISTORS 1/2 WATT 10% TOLERANCE IF NOT SPECIFIED
 3 ALL CAPACITORS AT LEAST 400 VOLT RATING IF NOT SPECIFIED



ON EXPORT MODEL	FULL PART NO
TR1-125 P50K	022806
TR1-125 P50	022758
TR2-125 C1A	022699
TR3-125 A6A	022648
TR4-125 A20B	022921

FENDER MUSICAL INSTRUMENTS
 CBS MUSICAL INSTRUMENTS
 A DIVISION OF COLUMBIA BROADCASTING SYSTEMS INC.
 SANTA ANA, CALIFORNIA
 U.S.A.

DWG NO.	REL NO.	REV.	DWG NO.	REV.
480	480	D	047753	B
SCALE	MODE	FOR OTHER AMP	SHEET	OF 2

Fender MUSICAL INSTRUMENTS
 SANTA ANA, CALIFORNIA
 DWG TITLE
SCHEMATIC & WIRING DIAGRAM
PRO-REVERB-AMP AB668