

LM391 Audio Power Driver

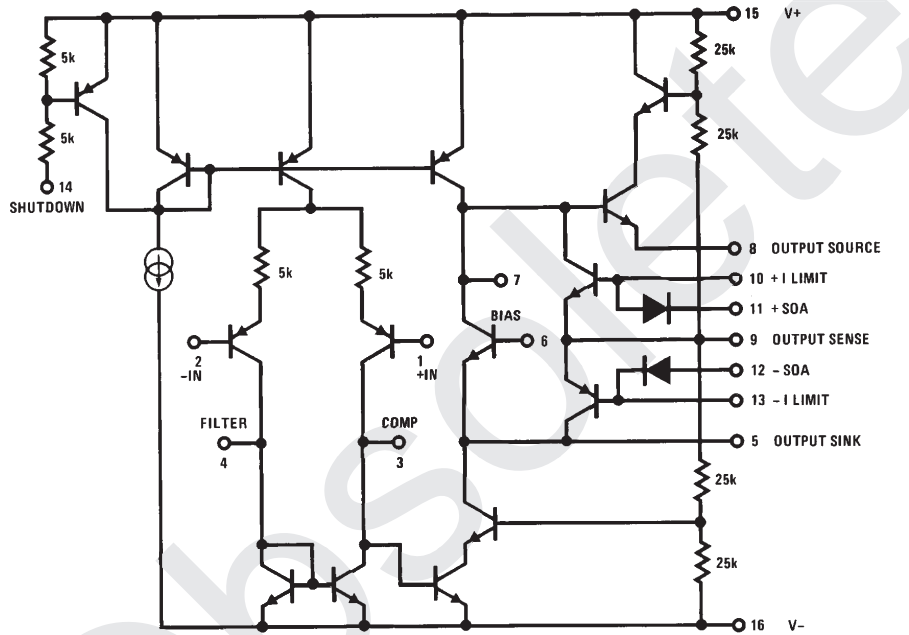
General Description

The LM391 audio power driver is designed to drive external power transistors in 10 to 100 watt power amplifier designs. High power supply voltage operation and true high fidelity performance distinguish this IC. The LM391 is internally protected for output faults and thermal overloads; circuitry providing output transistor protection is user programmable.

Features

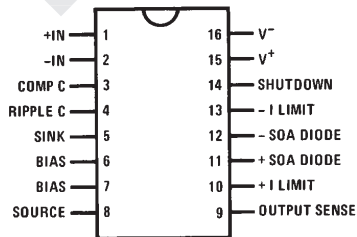
- High Supply Voltage ± 50V max
- Low Distortion 0.01%
- Low Input Noise 3 μ V
- High Supply Rejection 90 dB
- Gain and Bandwidth Selectable
- Dual Slope SOA Protection
- Shutdown Pin

Equivalent Schematic and Connection Diagram



TL/H/7146-1

Dual-In-Line Package



TL/H/7146-2

Top View

Order Number LM391N-100
See NS Package Number N16A