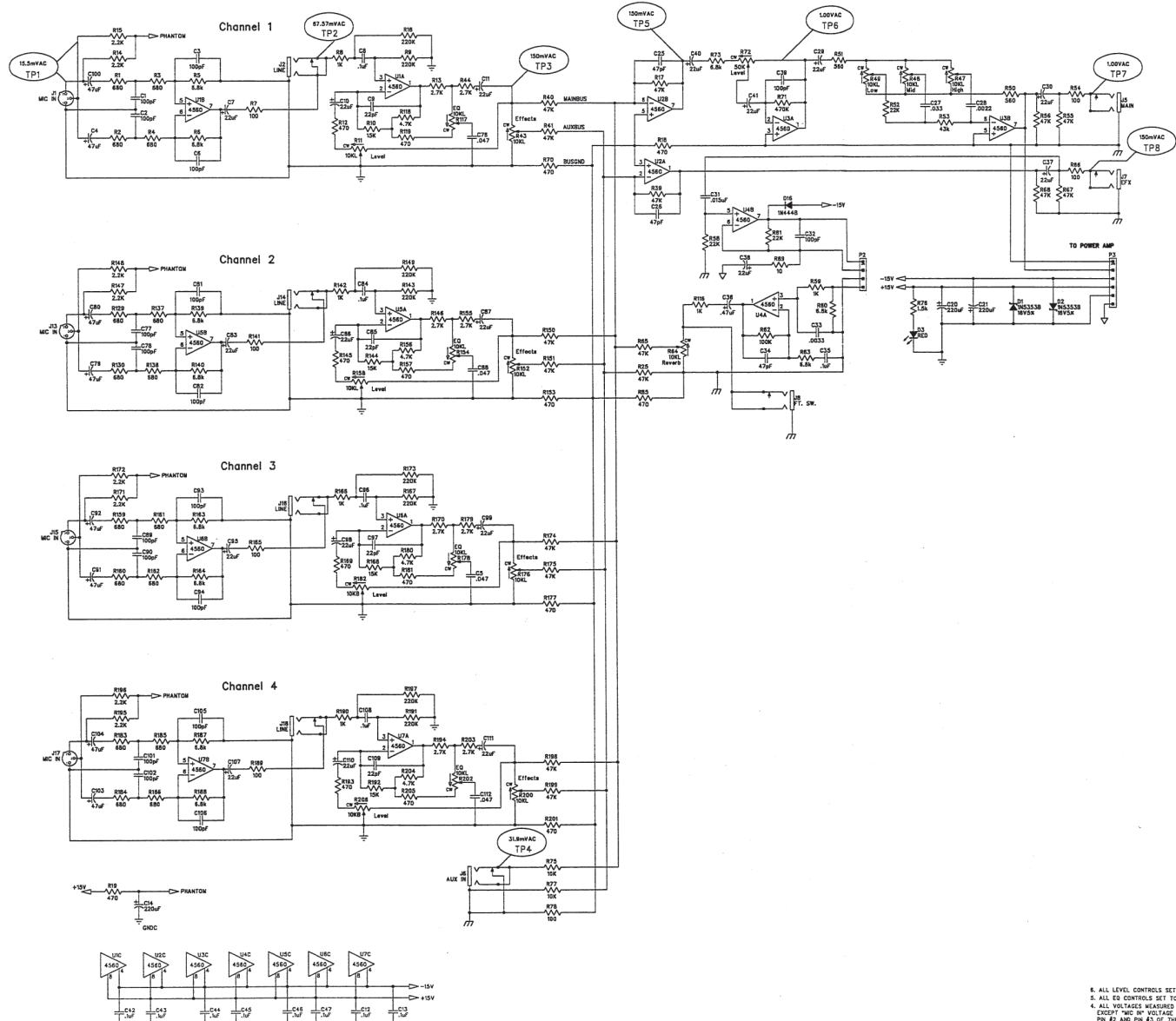


REVISIONS			
REV.	DESCRIPTION	DATE	APPROVED
A	PR 345	13-AUG-97	E M M
B	EC 2281	13-APR-99	E M M



1. ALL LEVEL CONTROLS SET TO MAXIMUM.
2. ALL EQ CONTROLS SET TO MID.
3. ALL VOLTAGES MEASURED WITH RESPECT TO GROUND.
4. ALL VOLTAGES MEASURED WITH RESPECT TO GROUND EXCEPT TWO 10V VOLTAGE WHICH IS MEASURED BETWEEN PIN #2 AND PIN #3 OF THE INPUT JACK, USING A 50WV VOLTAGE MAY VARY BY 20%.
5. ALL POLARIZED CAPACITORS IN µF, 50V, 25%. ALL UNPOLARIZED CAPACITORS IN µF, 50V, 5%. ALL RESISTORS IN OHMS, 1/4W, 5%. NOTES: (UNLESS OTHERWISE NOTED)

THIS DOCUMENT CONTAINS INFORMATION OF A PROPRIETARY NATURE TO FENDER MUSICAL INSTRUMENTS AND IS SUBMITTED TO YOU IN CONFIDENCE AND SHALL NOT BE DISCLOSED OR TRANSMITTED TO OTHERS WITHOUT AUTHORIZATION FROM FENDER MUSICAL INSTRUMENTS.

Fender MUSICAL INSTRUMENTS
2621 Research Drive
Corona, CA 91720 USA

CHECKED BY: B. Y. Lee
CK DATE: 14-11-99

APPROVED BY: [Signature]
AP DATE: 15-12-99

DRAWN: JLA ENGR: JLA

FILE: Z34SPRE.SCH

TITLE: SERVICE DIAGRAM, LT8 PREAMP

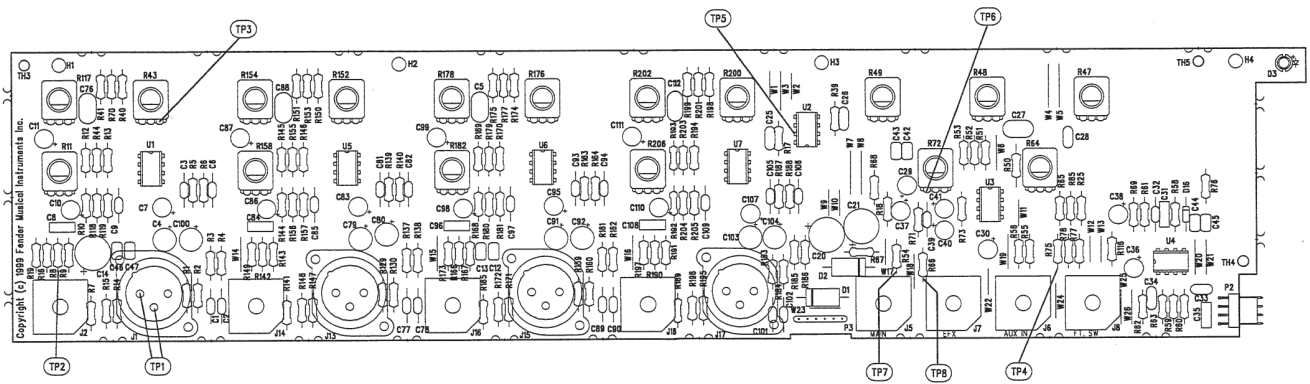
SIZE: D DRAWING NUMBER: 0051868000

REV. B


RELEASE DATE: 29-APR-97 SHEET: 1 OF 2

8 7 6 5 4 3 2 1

REVISIONS			
REV.	DESCRIPTION	DATE	APPROVED
A	PR345 RELEASE	13-AUG-97	E M M
B	EC 2281	13-APR-99	E M M



FILM/DWG: SERVICE DIAGRAM
 DATABASE: Z34SPRE DATE: 13-APR-99

<small>THIS DOCUMENT CONTAINS INFORMATION OF A PROPRIETARY NATURE TO FENDER MUSICAL INSTRUMENTS AND IS SUBMITTED TO YOU IN CONFIDENCE AND SHALL NOT BE DISCLOSED OR TRANSMITTED TO OTHERS WITHOUT AUTHORIZATION FROM FENDER MUSICAL INSTRUMENTS.</small>		 MUSICAL INSTRUMENTS 2621 Research Drive Corona, CA 91720 USA	
CHECKED BY: <i>[Signature]</i> CK DATE: 14-APR-99		TITLE: SERVICE DIAGRAM LTB PREAMP	
APPROVED BY: <i>[Signature]</i> AP DATE: 15 APR 99		SIZE: C	DRAWING NUMBER: 0051868000
DRAWN: JLA	ENGR: JLA	RELEASE DATE: 29-APR-97	REV. B SHEET 2 OF 2
DATABASE FILE: Z34SPRE.PCB			

NOTES: (UNLESS OTHERWISE NOTED)

8 7 6 5 4 3 2 1

8

7

6

5

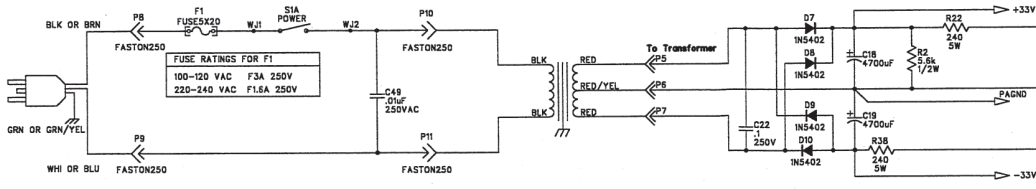
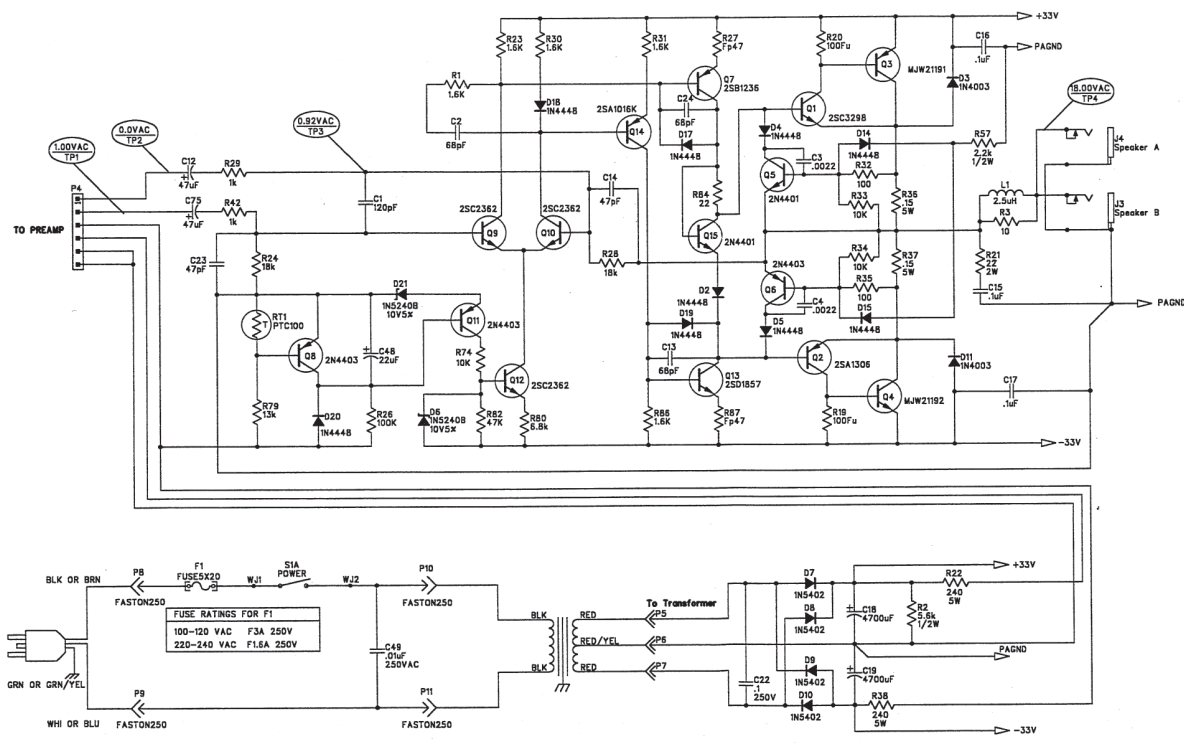
4

3

2

1

REVISIONS			
REV.	DESCRIPTION	DATE	APPROVED
A	PR 345 RELEASE	13-AUG-97	E M M
B	EC 2281	13-APR-99	E M M



FUSE RATINGS FOR F1
 100-120 VAC F3A 250V
 220-240 VAC F1.5A 250V

- 6. ALL LEVEL CONTROLS SET TO MAXIMUM.
- 5. ALL EQ CONTROLS SET TO MID.
- 4. ALL VOLTAGES MEASURED WITH RESPECT TO GROUND EXCEPT "MIC IN" VOLTAGE WHICH IS MEASURED BETWEEN PIN #2 AND PIN #3 OF THE INPUT JACK, USING A DVM OF AT LEAST 1M AC IMPEDANCE AND 10M DC INPUT IMPEDANCE. VOLTAGES MAY VARY BY 20%.
- 3. ALL POLARIZED CAPACITORS IN uF; 50V, 20%. 2. ALL UNPOLARIZED CAPACITORS IN uF; 50V, 5%. 1. ALL RESISTORS IN OHMS; 1/4W, 5%.

NOTES: (UNLESS OTHERWISE NOTED)

THIS DOCUMENT CONTAINS INFORMATION OF A PROPRIETARY NATURE TO FENDER MUSICAL INSTRUMENTS AND IS SUBMITTED TO YOU IN CONFIDENCE AND SHALL NOT BE DISCLOSED OR TRANSMITTED TO OTHERS WITHOUT AUTHORIZATION FROM FENDER MUSICAL INSTRUMENTS.

Fender MUSICAL INSTRUMENTS
 2621 Research Drive
 Corona, CA 91720 USA

CHECKED BY: *[Signature]* TITLE: SERVICE DIAGRAM, LTb POWER AMP
 CK DATE: 15 APR 99
 APPROVED BY: *[Signature]* SIZE: DRAWING NUMBER: 0051869000 REV. B
 AP DATE: 15 APR 99
 DRAWN: JLA ENGR: JLA
 FILE: Z34SPWR.SCH RELEASE DATE: 28-APR-97 SHEET: 1 OF 2

8

7

6

5

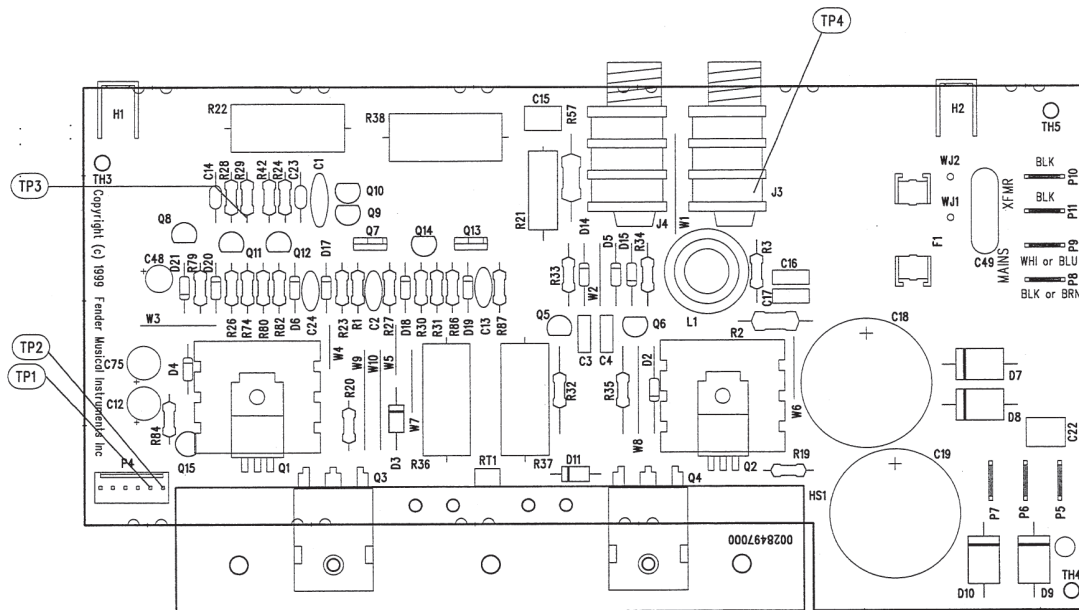
4

3

2


1

REVISIONS			
REV.	DESCRIPTION	DATE	APPROVED
A	PR 345 RELEASE	13-AUG-97	E M M
B	EC 2281	13-APR-99	E M M



FILM/DWG:	SERVICE DIAGRAM
DATABASE:	Z345PWR DATE: 13-APR-99

NOTES: (UNLESS OTHERWISE NOTED)

THIS DOCUMENT CONTAINS INFORMATION OF A PROPRIETARY NATURE TO FENDER MUSICAL INSTRUMENTS AND IS SUBMITTED TO YOU IN CONFIDENCE AND SHALL NOT BE DISCLOSED OR TRANSMITTED TO OTHERS WITHOUT AUTHORIZATION FROM FENDER MUSICAL INSTRUMENTS.		 MUSICAL INSTRUMENTS 2621 Research Drive Corona, CA 91720 USA	
CHECKED BY: <i>B. N. C.</i> CK DATE: <i>15-APR-99</i>		TITLE: SERVICE DIAGRAM LTB POWER AMP	
APPROVED BY: <i>E. J. A.</i> AP DATE: <i>15-APR-99</i>		SIZE B	DRAWING NUMBER 0051869000
DRAWN: JLA ENGR: JLA		RELEASE DATE: 29-APR-97	REV. B SHEET 2 OF 2
DATABASE FILE: Z345PWR.PCB			