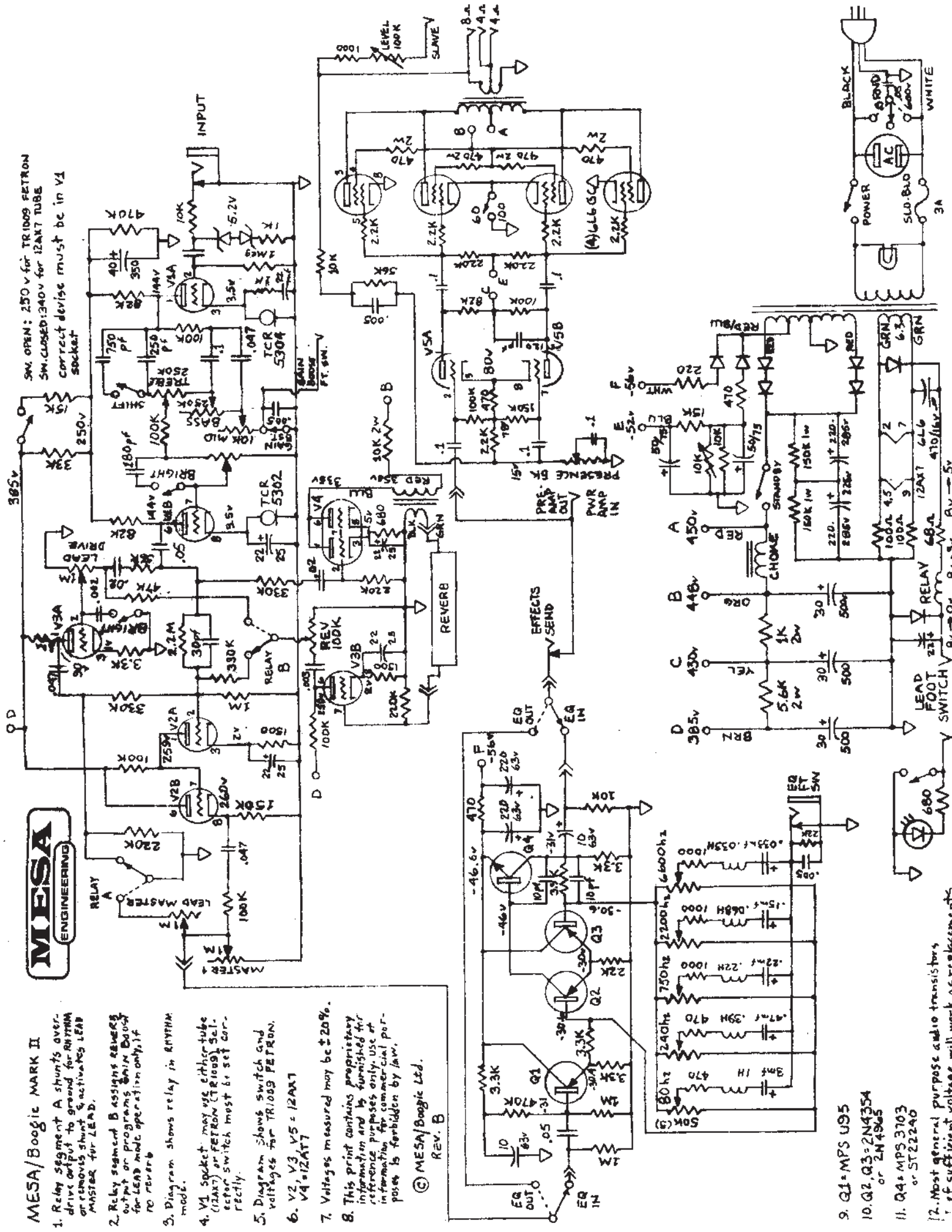


MESA ENGINEERING

MESA/Boogie MARK II

1. Relay segment A shunts overdrive output to ground for RHYTHM or removes shunt & activates LEAD MASTER for LEAD.
2. Relay segment B assigns REVERB output or programs GAIN Boost for LEAD mode operation only if NO REVERB.
3. Diagram shows relay in RHYTHM mode.
4. V1 socket may use either tube (12AX7 or 6TR100) set. selector switch must be set correctly.
5. Diagram shows switch and voltages for 6TR100 PETRON.
6. V2, V3, V5 = 12AX7
7. Voltages measured may be $\pm 20\%$.
8. This print contains proprietary information and is furnished for reference purposes only. Use of information for commercial purposes is forbidden by law.

© MESA/Boogie Ltd.
REV. B



9. Q1 = MPS U95
10. Q2, Q3 = 2N4354 or 2N4965
11. Q4 = MPS 3703 or ST22240

12. Most general purpose audio transistors if sufficient voltage will work as replacements.