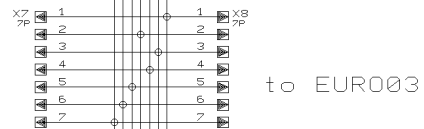


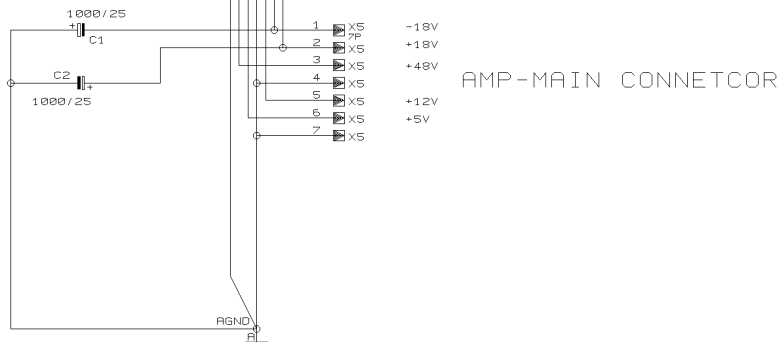
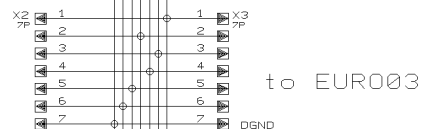
METER BRIDGE  
 (for BA6822 METERBOARDS ONLY !!!)



to EUR002



to EUR003



REVISIONS

C

DRAWN

CHECKED

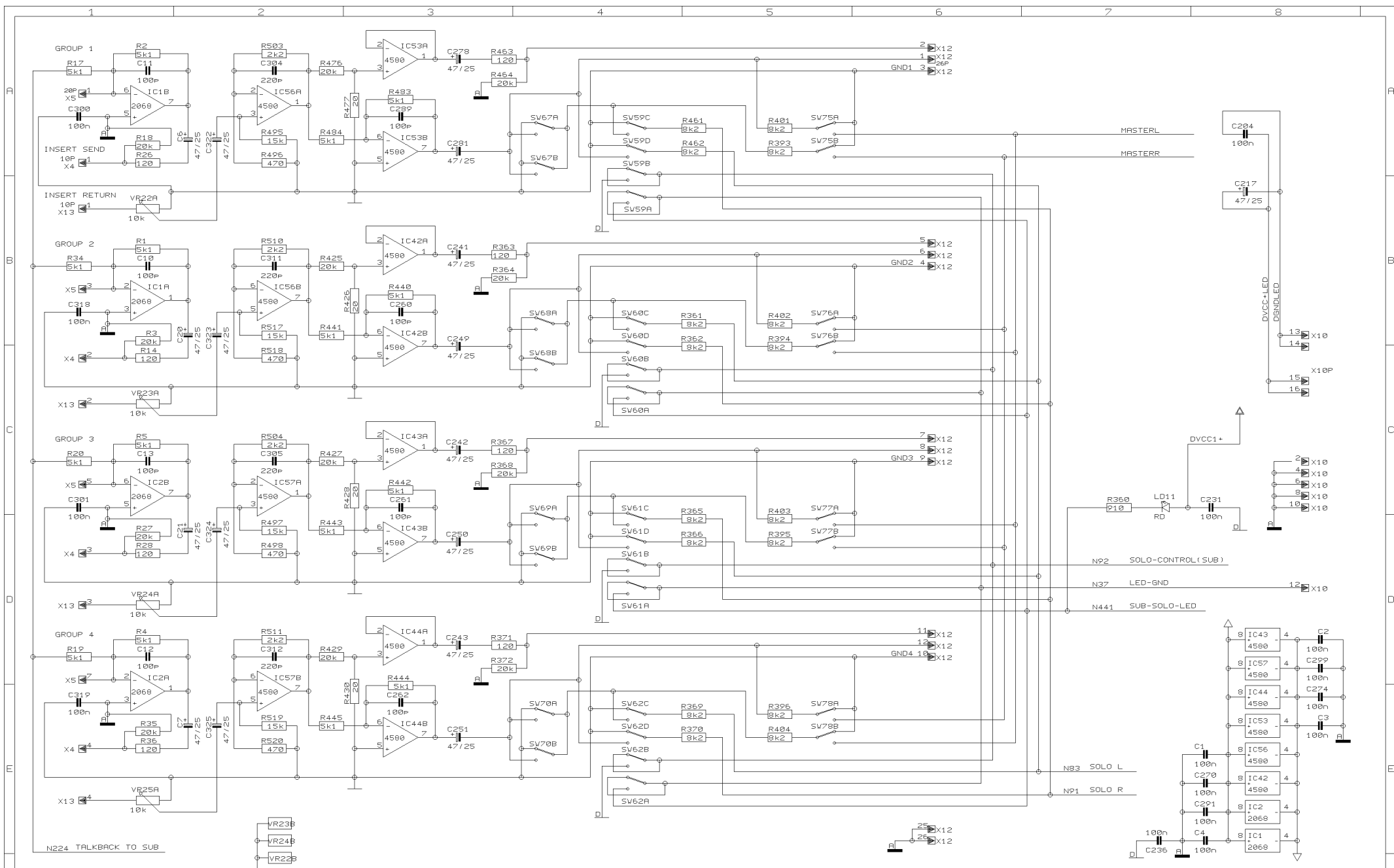
DATE 05.02. 1  
 9:10

BEHRINGER®

Specialized Studio Equipment

PROJECT  
 EURO01  
 MX9000  
 POWER DISTRIBUTION

SHEET 1 OF 1 SHEETS TOTAL



REVISIONS E (23/07/01)

DRAWN R

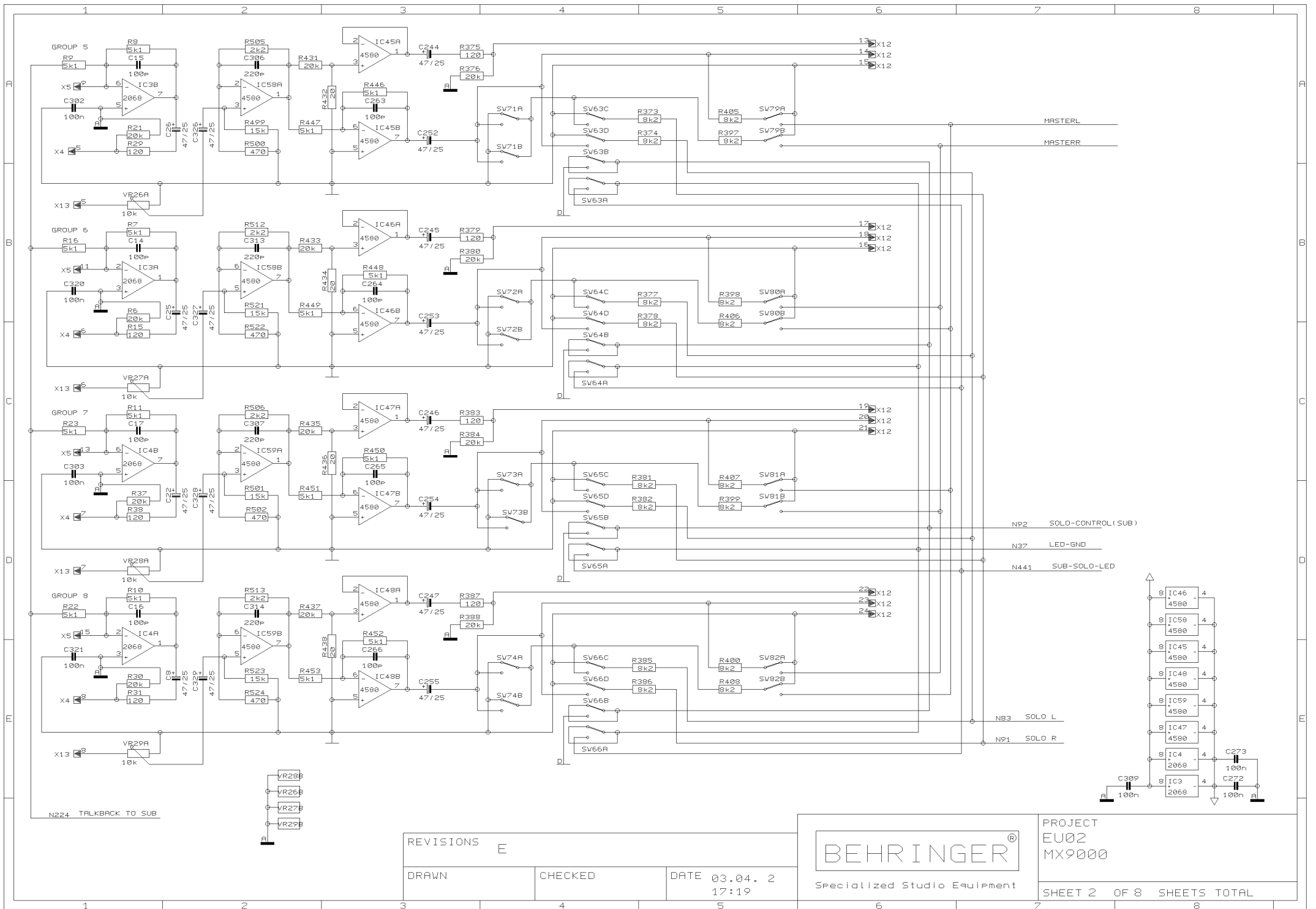
CHECKED

DATE 03.04. 2  
17:19



PROJECT  
EU02  
MX9000

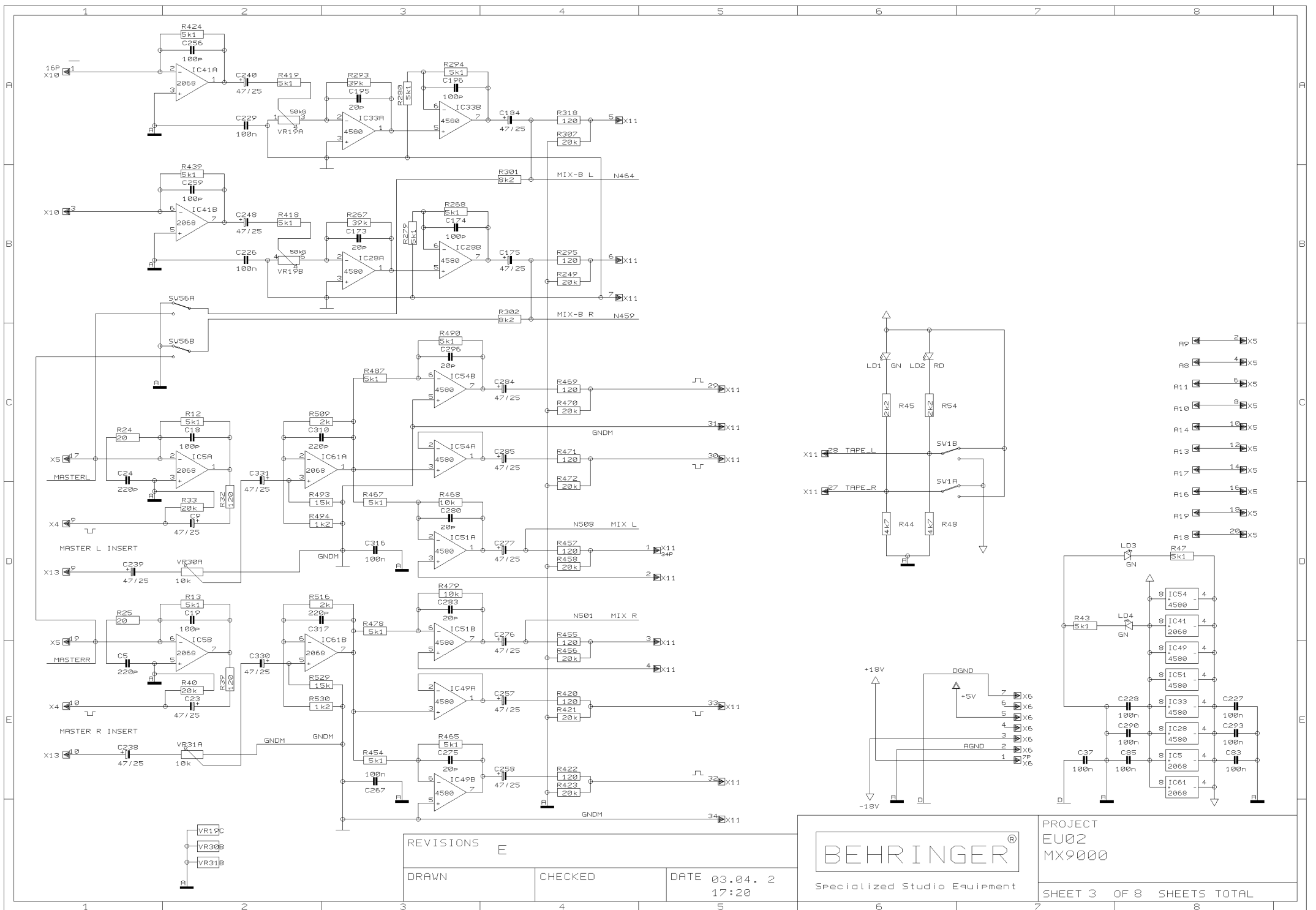
SHEET 1 OF 8 SHEETS TOTAL



REVISIONS		
E		
DRAWN	CHECKED	DATE 03.04. 2 17:19

  
 Specialized Studio Equipment

PROJECT  
 EU02  
 MX9000  
 SHEET 2 OF 8 SHEETS TOTAL



REVISIONS E

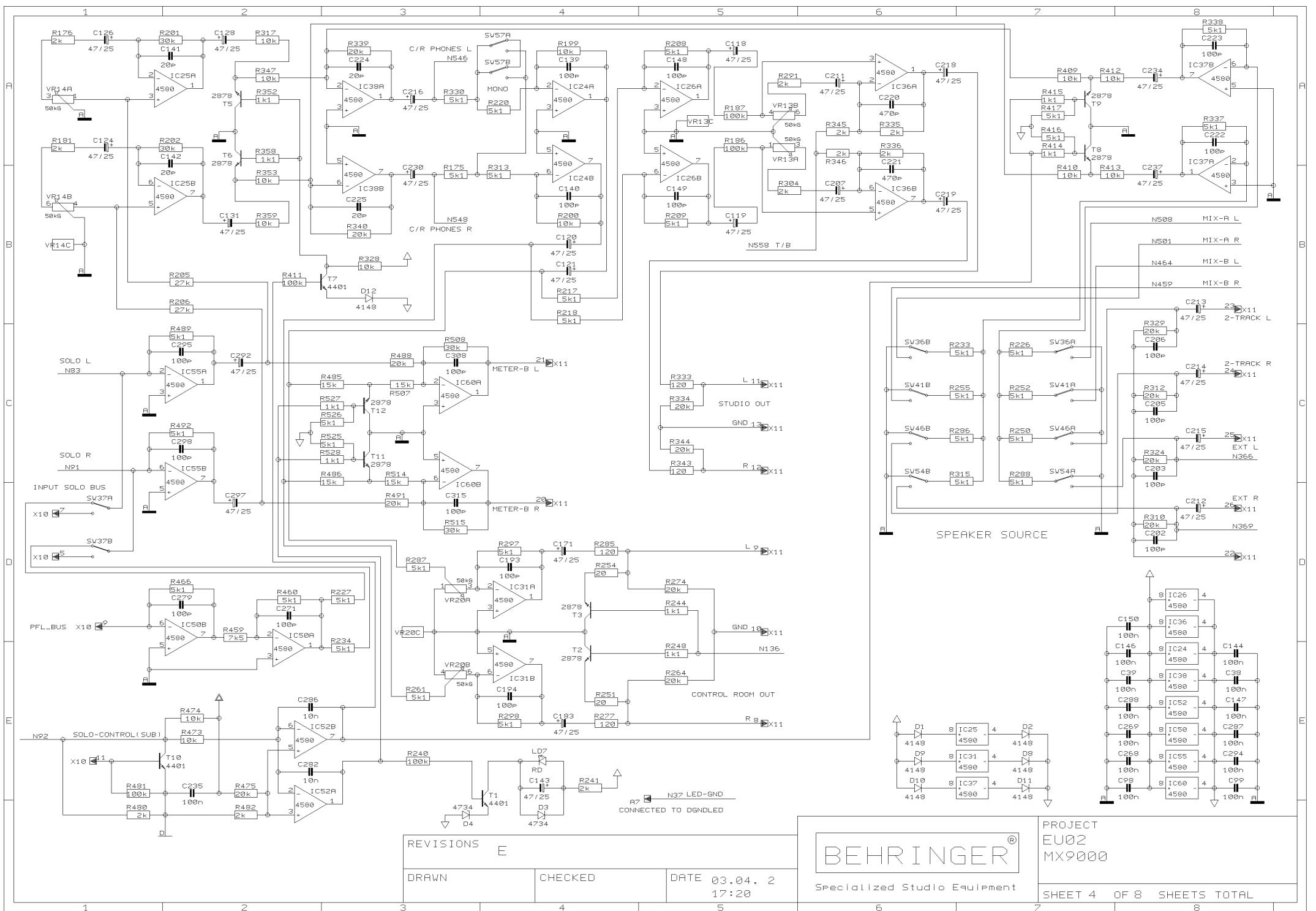
DRAWN

CHECKED

DATE 03.04. 2  
17:20



PROJECT  
EU02  
MX9000  
SHEET 3 OF 8 SHEETS TOTAL



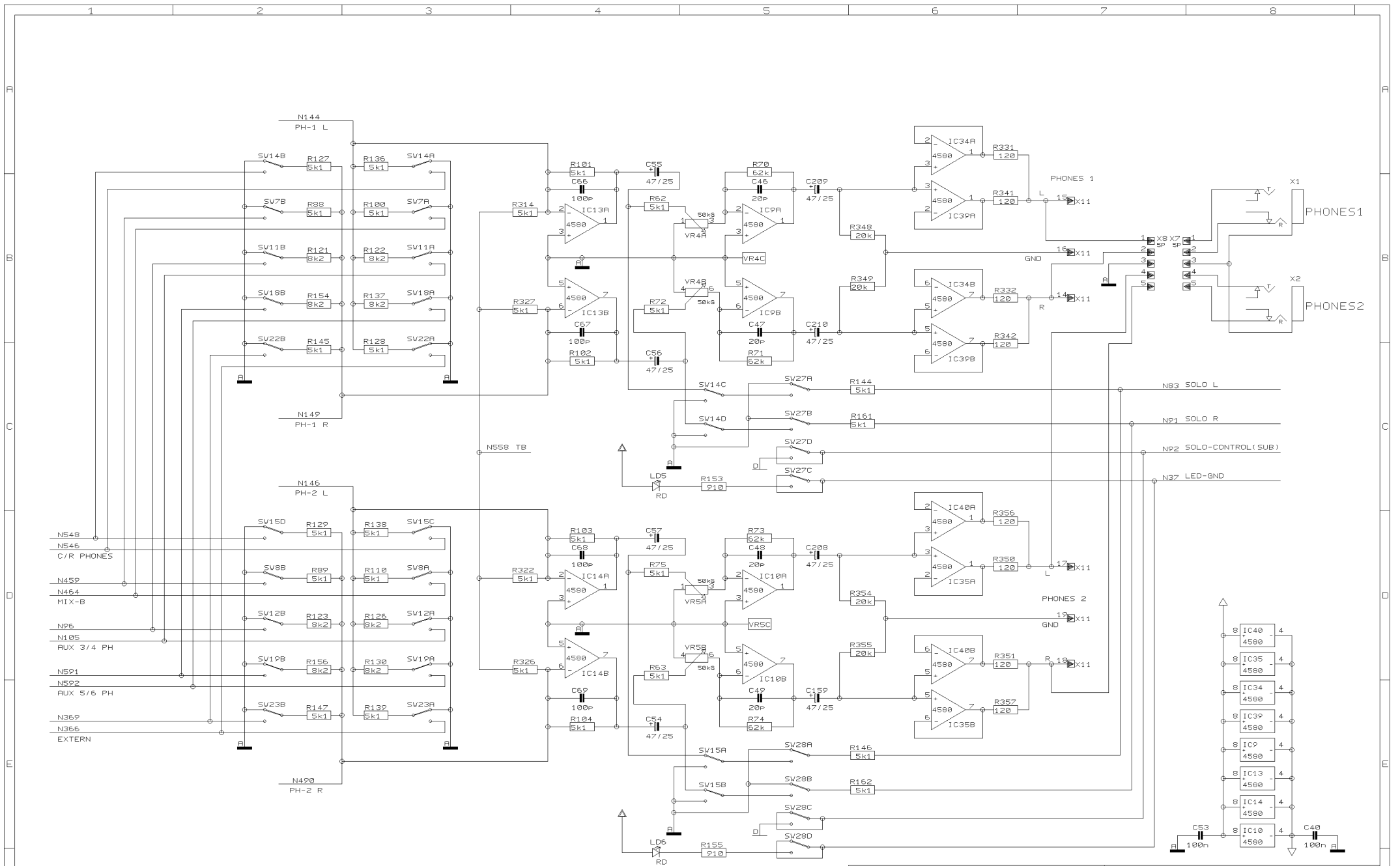
REVISIONS		
E		
DRAWN	CHECKED	DATE 03.04. 2 17:20

## BEHRINGER®

Specialized Studio Equipment

PROJECT: EU02  
MX9000

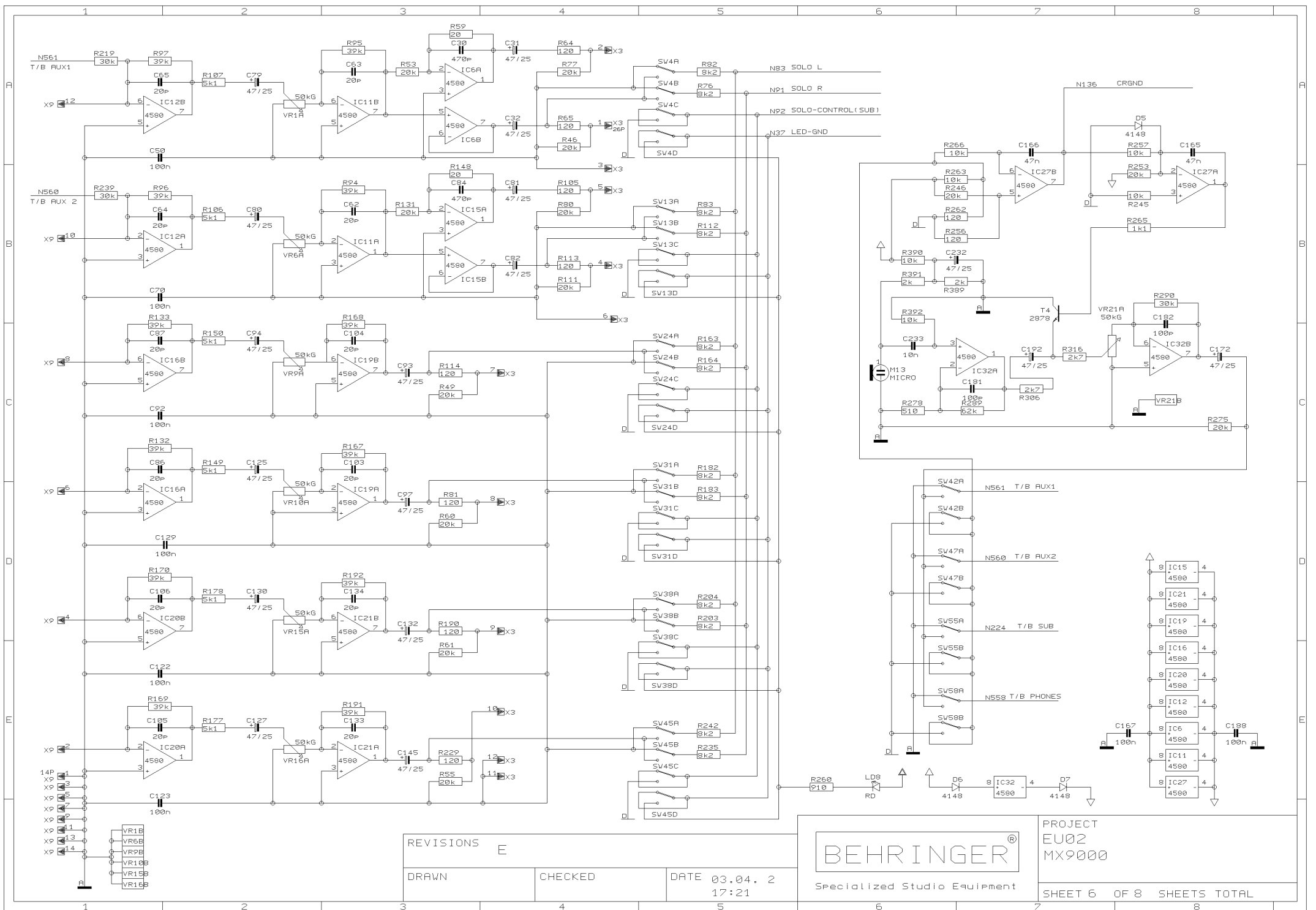
SHEET 4 OF 8 SHEETS TOTAL



REVISIONS		
E		
DRAWN	CHECKED	DATE 03.04. 2 17:21

  
 Specialized Studio Equipment

PROJECT  
 EU02  
 MX9000  
 SHEET 5 OF 8 SHEETS TOTAL



REVISIONS E

DRAWN

CHECKED

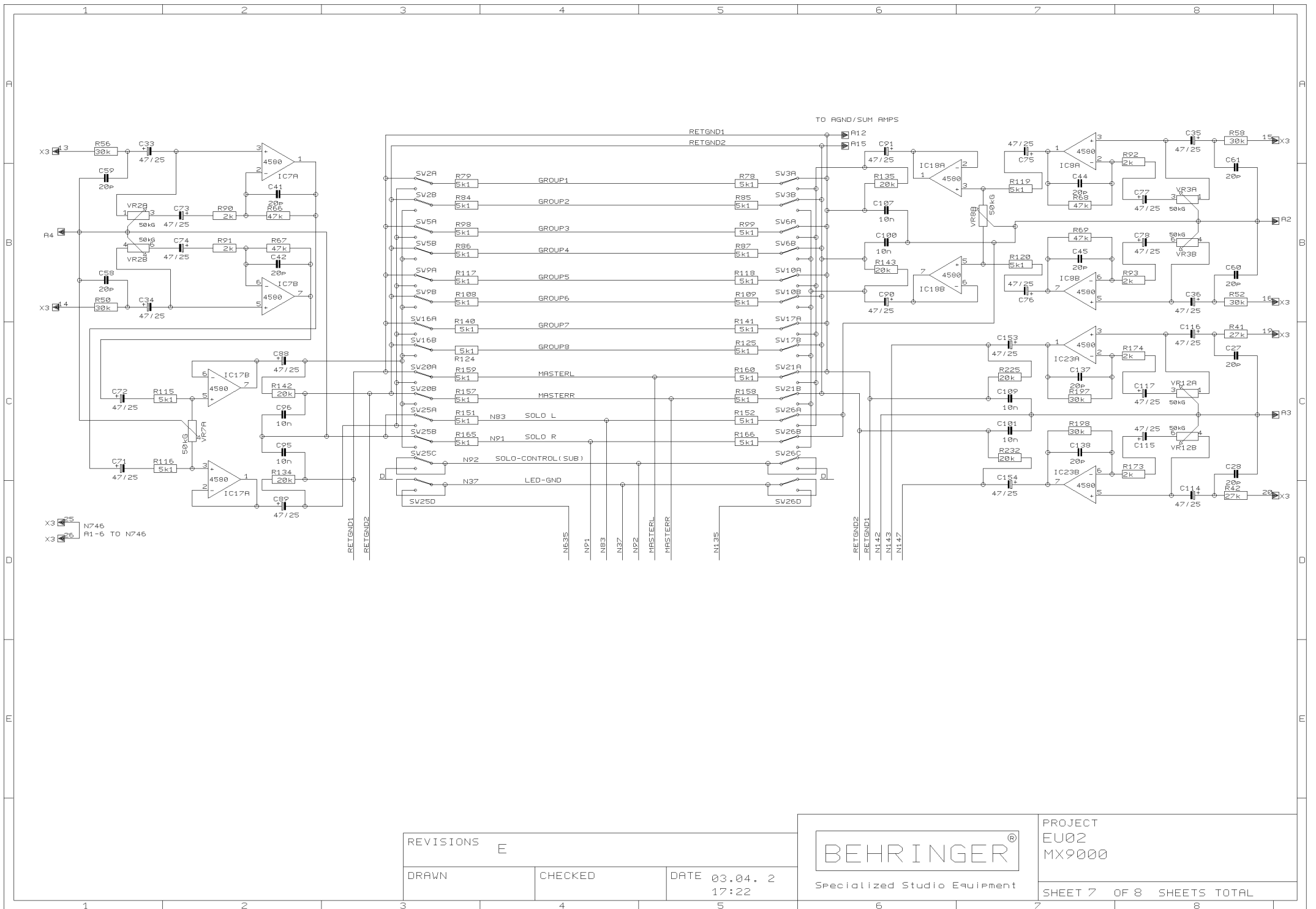
DATE 03.04. 2  
17:21



Specialized Studio Equipment

PROJECT  
EU02  
MX9000

SHEET 6 OF 8 SHEETS TOTAL

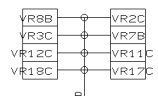
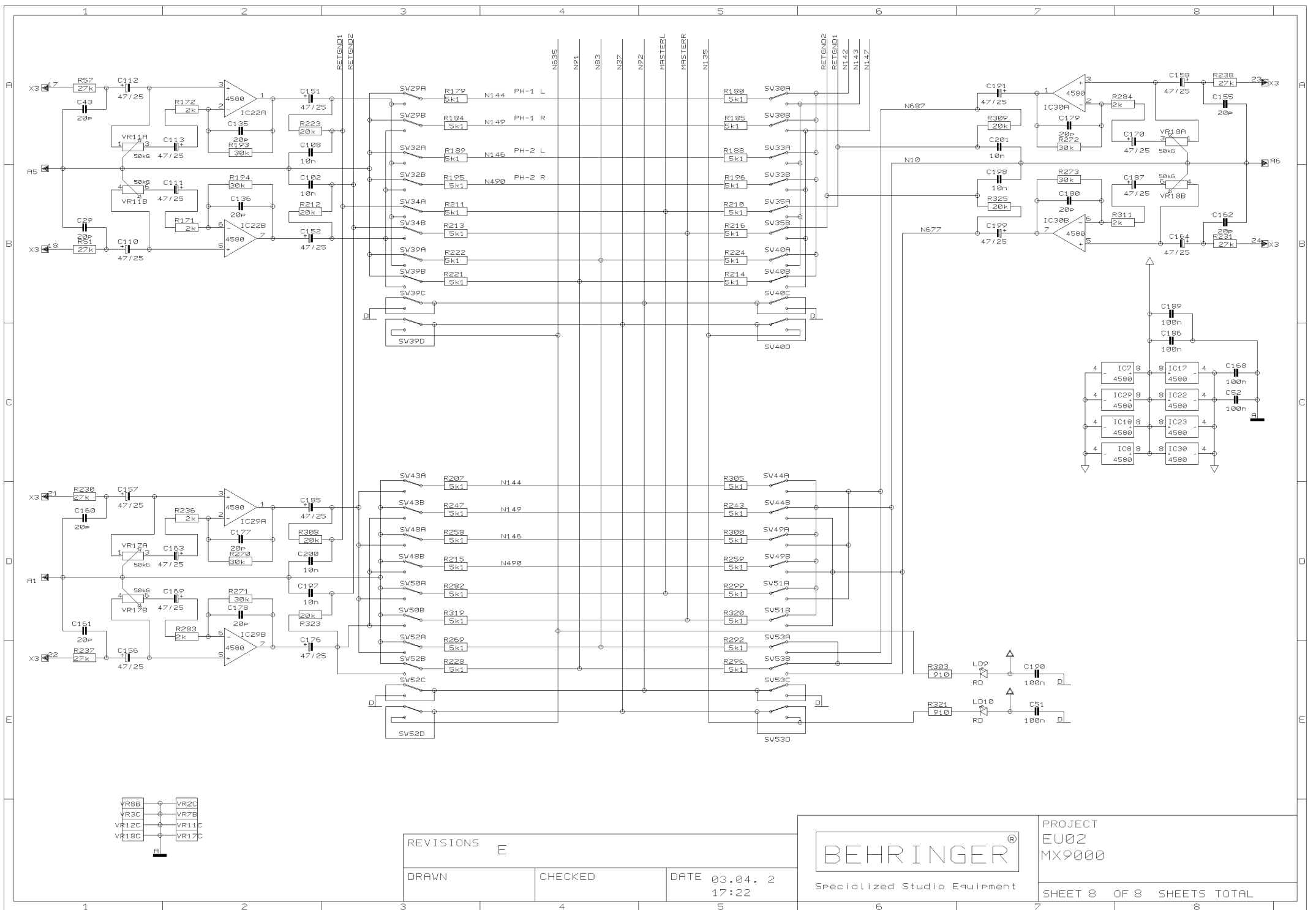


REVISIONS		E
DRAWN	CHECKED	DATE 03.04. 2 17:22

  
 Specialized Studio Equipment

PROJECT	EU02
	MX9000
SHEET 7 OF 8 SHEETS TOTAL	

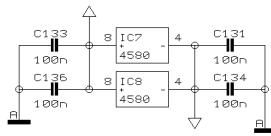
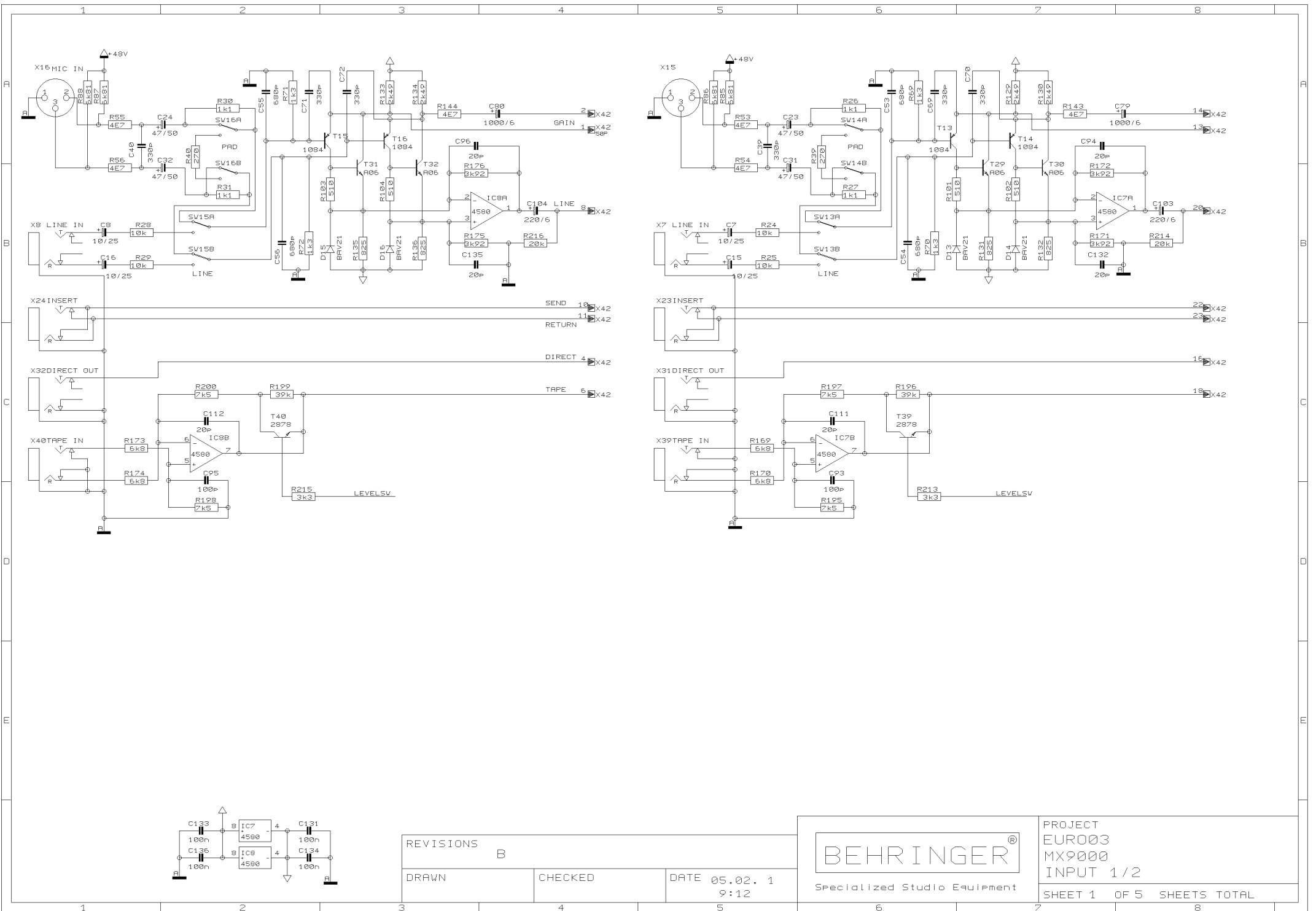




REVISIONS		
E		
DRAWN	CHECKED	DATE 03.04.2 17:22

  
 Specialized Studio Equipment

PROJECT  
 EU02  
 MX9000  
 SHEET 8 OF 8 SHEETS TOTAL



REVISIONS

B

DRAWN

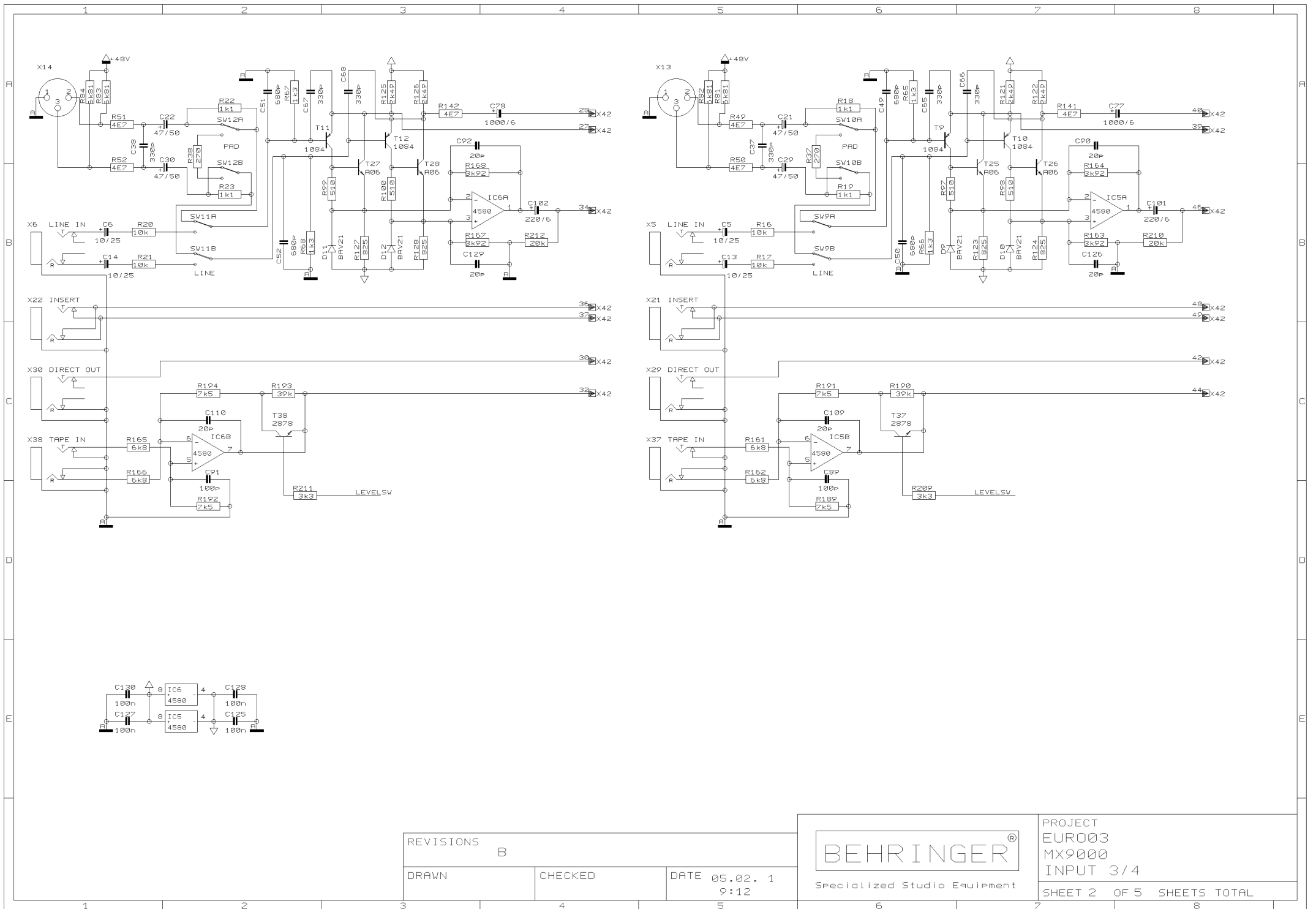
CHECKED

DATE 05.02. 1  
9:12



PROJECT  
EURO03  
MX9000  
INPUT 1/2

SHEET 1 OF 5 SHEETS TOTAL



REVISIONS

B

DRAWN

CHECKED

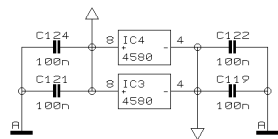
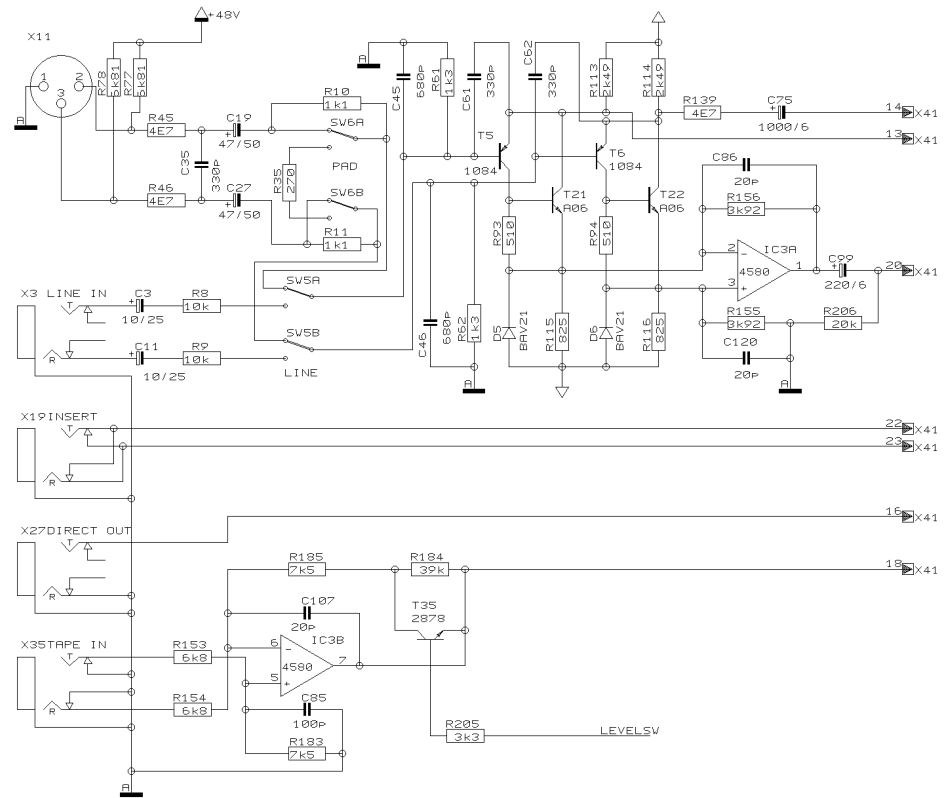
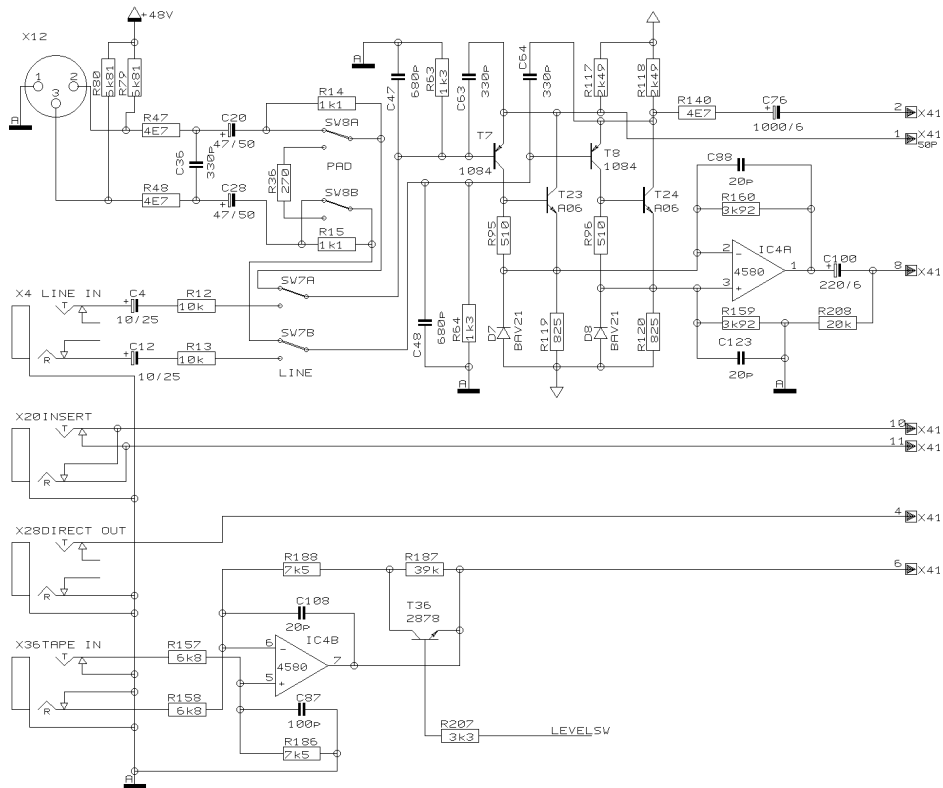
DATE 05.02. 1  
9:12

BEHRINGER®

Specialized Studio Equipment

PROJECT  
EURO03  
MX9000  
INPUT 3/4

SHEET 2 OF 5 SHEETS TOTAL



REVISIONS

B

DRAWN

CHECKED

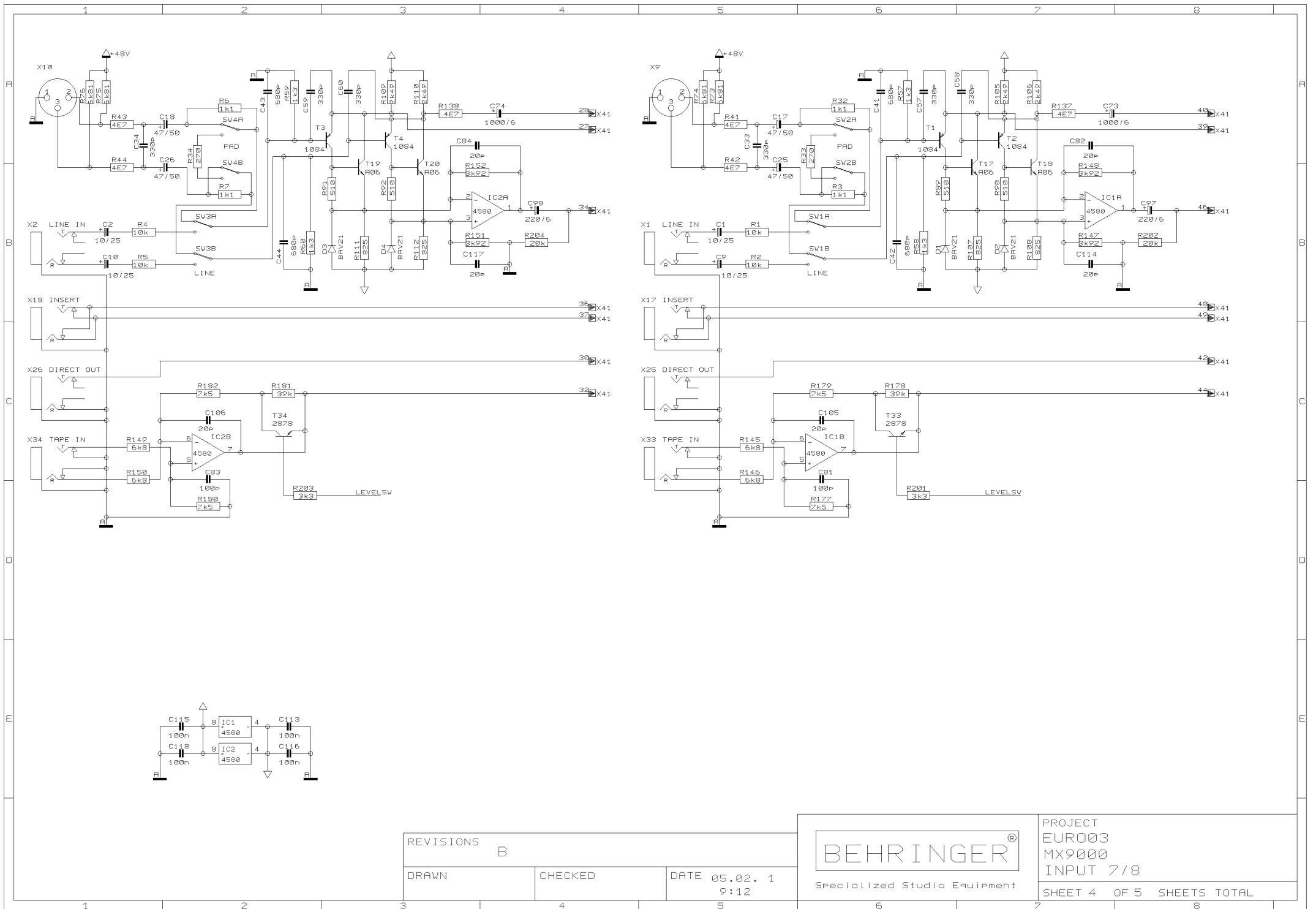
DATE 05.02. 1  
9:12

BEHRINGER®

Specialized Studio Equipment

PROJECT  
EURO03  
MX9000  
INPUT 5/6

SHEET 3 OF 5 SHEETS TOTAL



REVISIONS

B

DRAWN

CHECKED

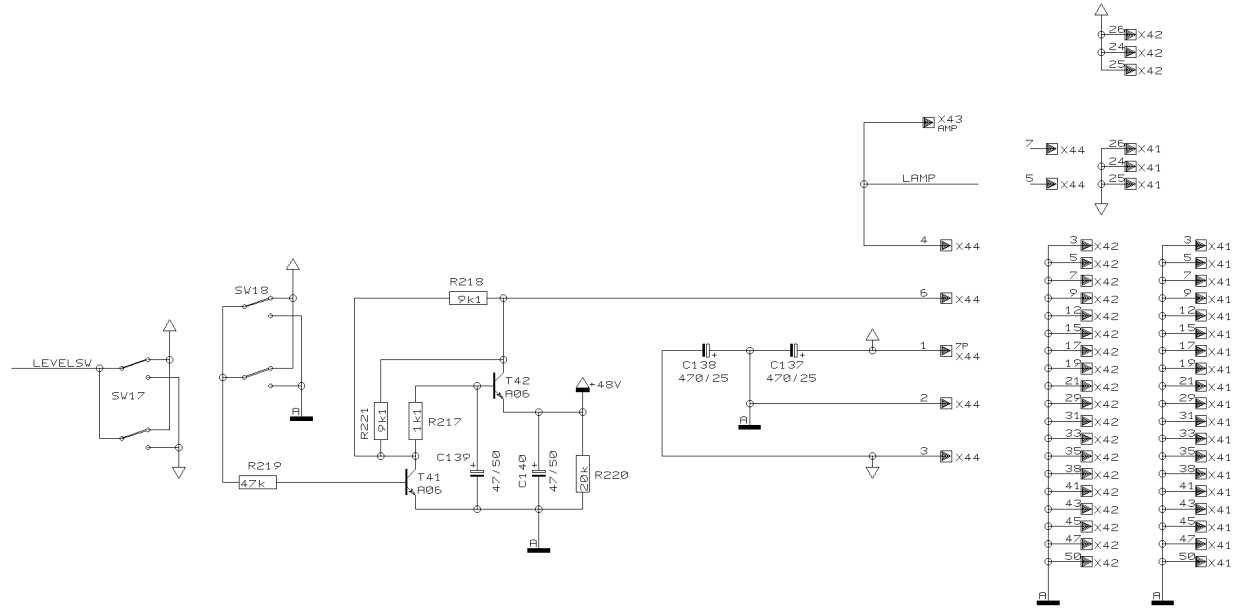
DATE 05.02. 1  
9:12

BEHRINGER®

Specialized Studio Equipment

PROJECT  
EURO03  
MX9000  
INPUT 7/8

SHEET 4 OF 5 SHEETS TOTAL



REVISIONS

B

DRAWN

CHECKED

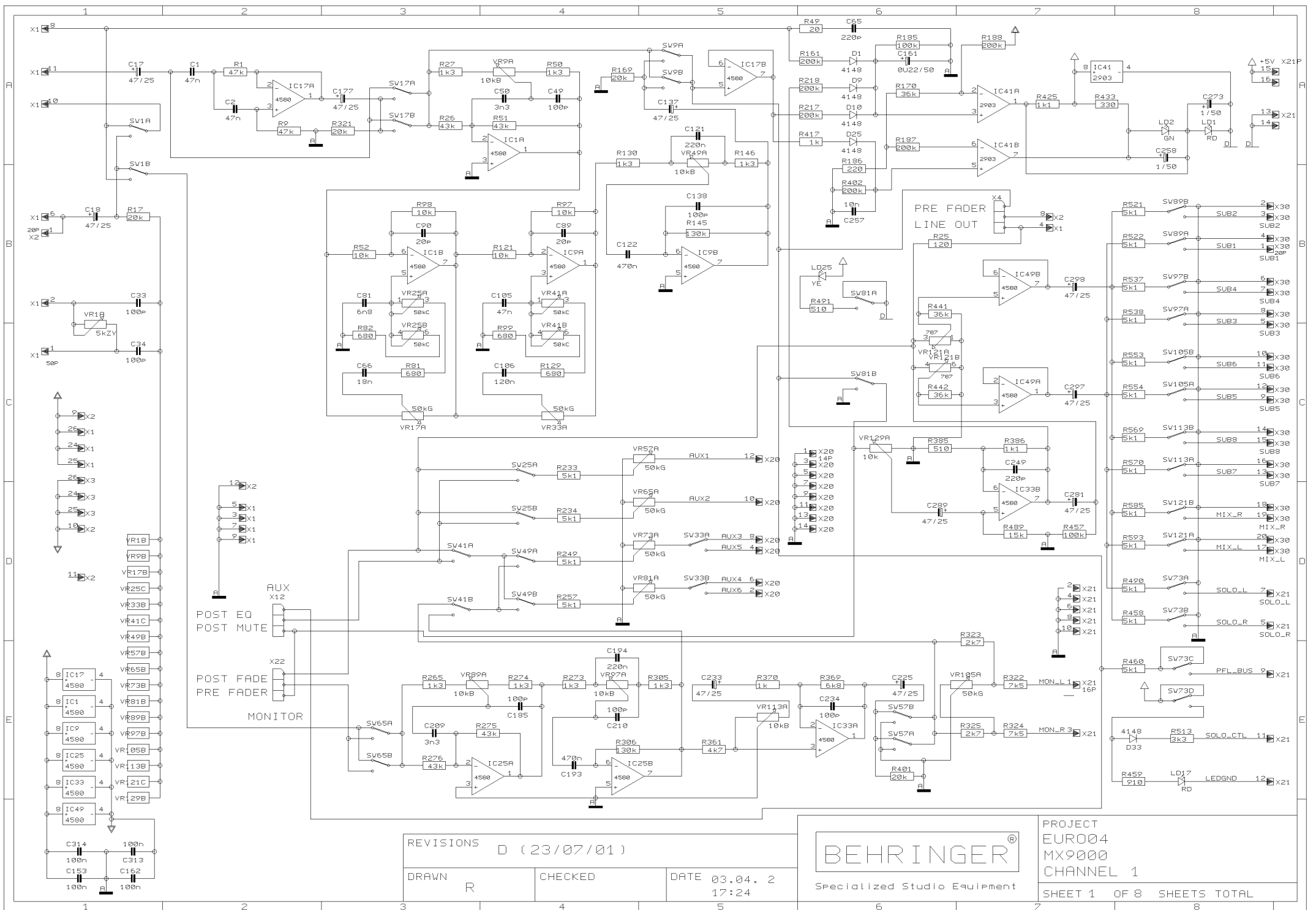
DATE 05.02. 1  
9:12

BEHRINGER®

Specialized Studio Equipment

PROJECT  
EURO03  
MX9000  
POWER DISTRIBUTION

SHEET 5 OF 5 SHEETS TOTAL



REVISIONS D (23/07/01)

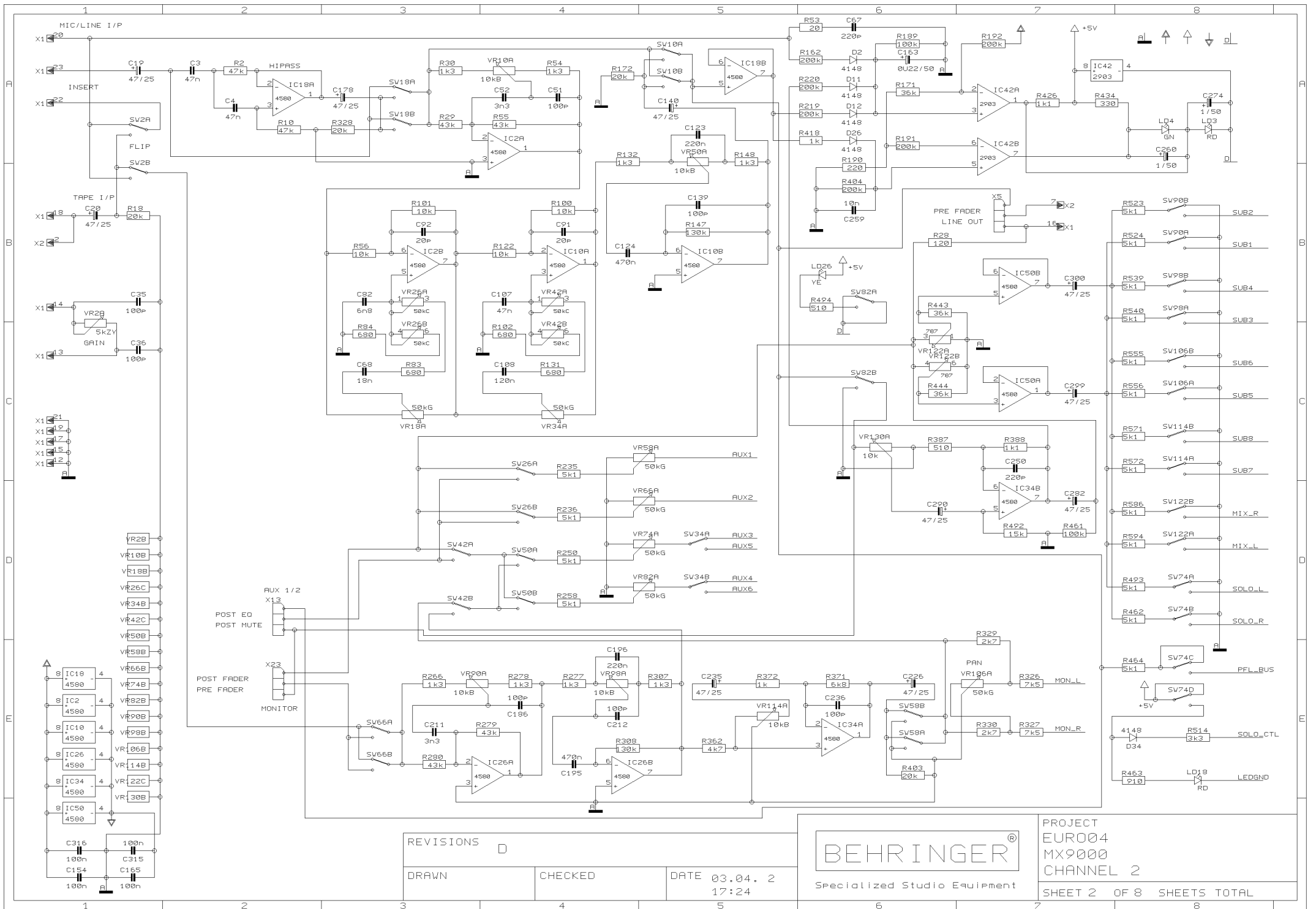
DRAWN R

CHECKED

DATE 03.04. 2  
17:24



PROJECT  
EURO04  
MX9000  
CHANNEL 1  
SHEET 1 OF 8 SHEETS TOTAL



REVISIONS D

DRAWN

CHECKED

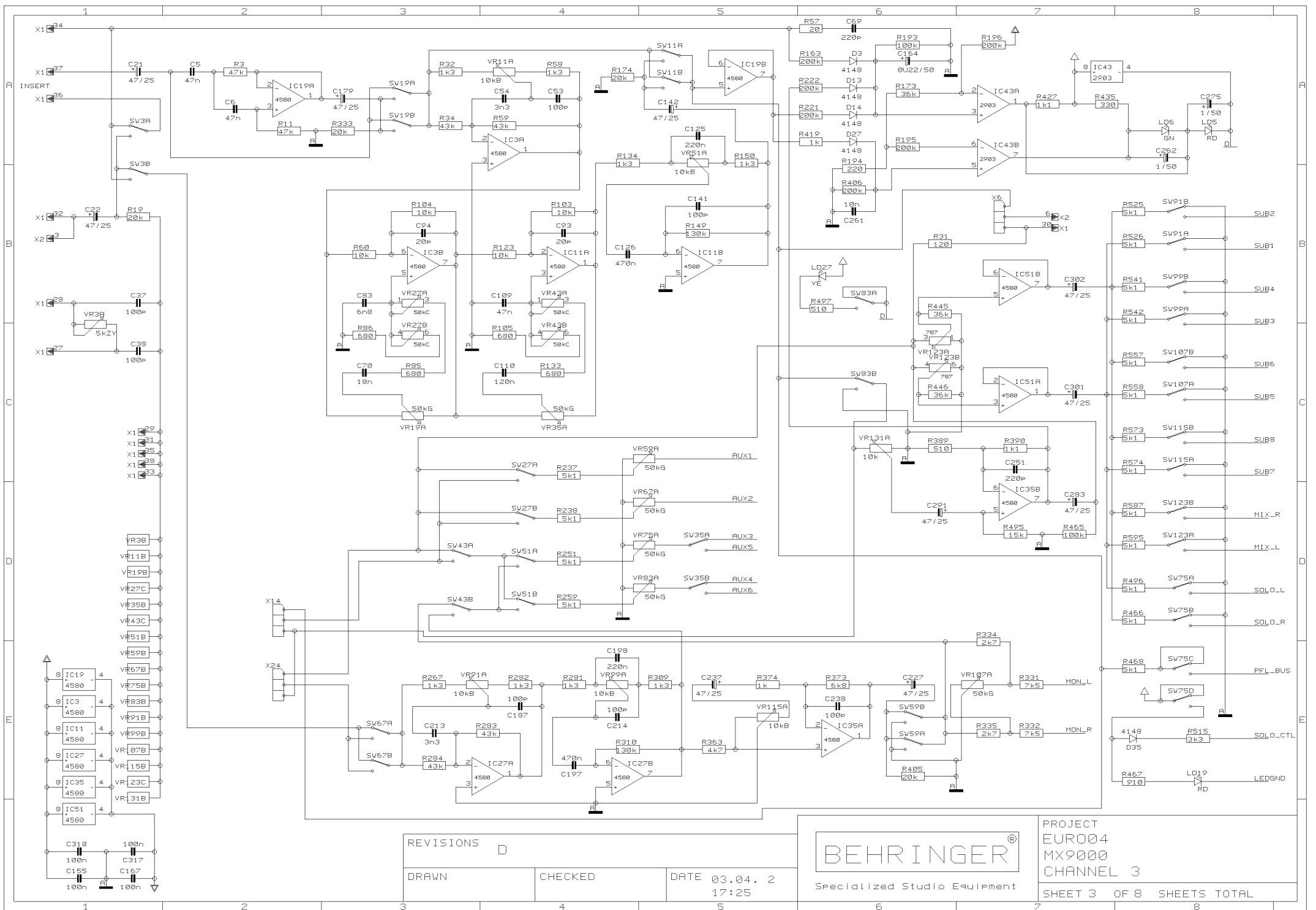
DATE 03.04. 2  
17:24

**BEHRINGER**<sup>®</sup>  
Specialized Studio Equipment

PROJECT  
EURO04  
MX9000  
CHANNEL 2

SHEET 2 OF 8 SHEETS TOTAL

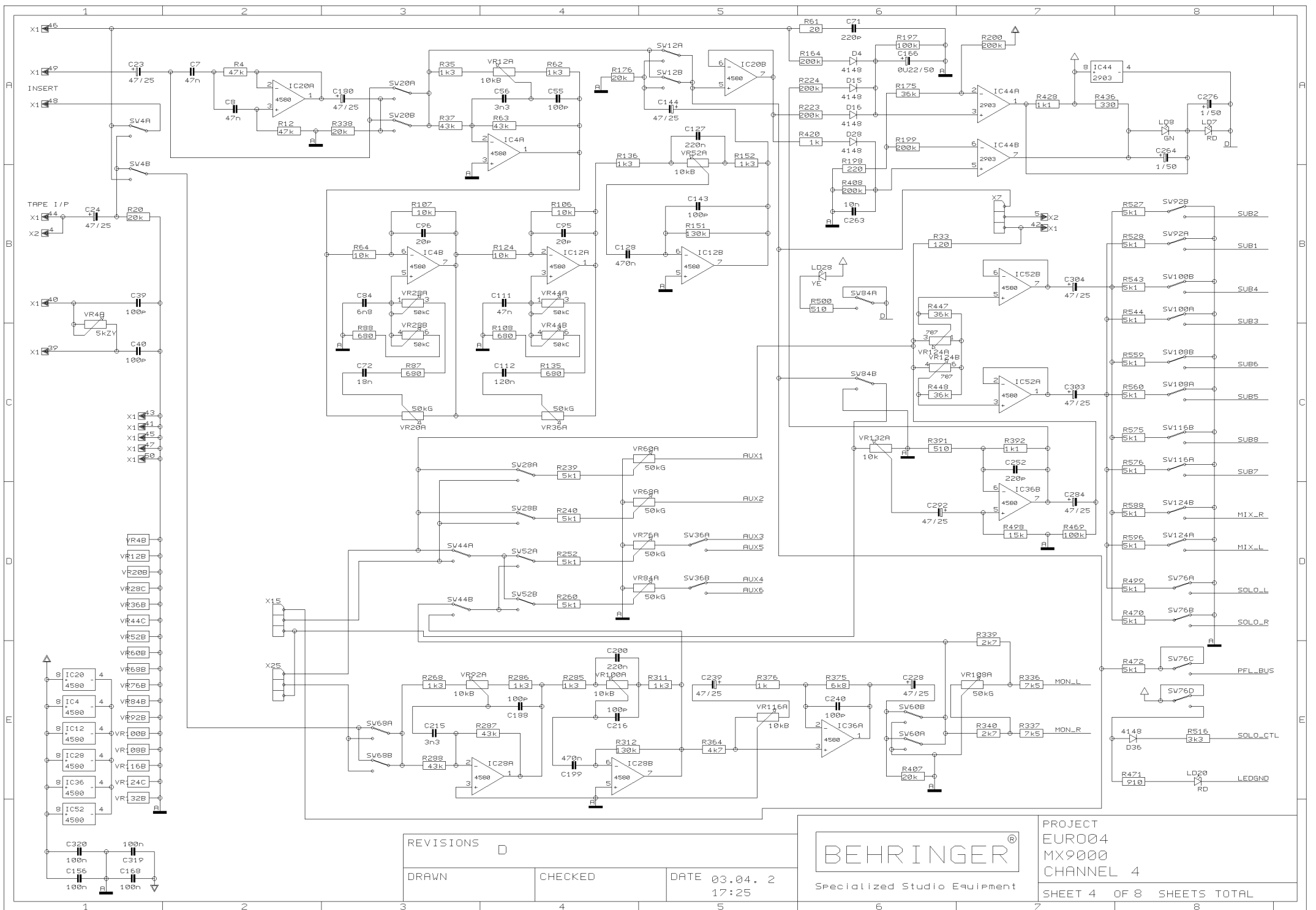




REVISIONS		D
DRAWN	CHECKED	DATE 03.04. 2 17:25



PROJECT  
EURO04  
MX9000  
CHANNEL 3  
SHEET 3 OF 8 SHEETS TOTAL



REVISIONS D

DRAWN

CHECKED

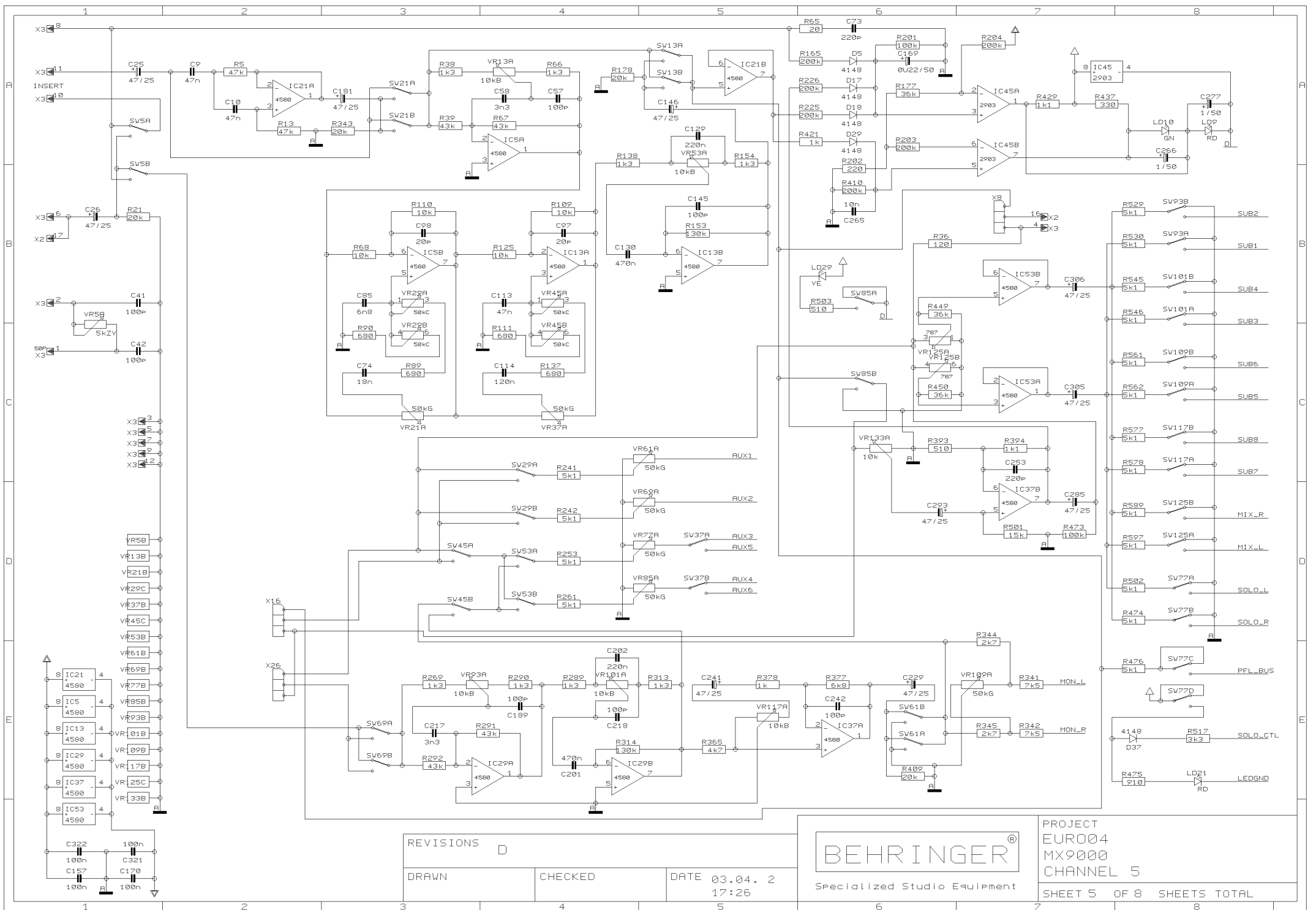
DATE 03.04. 2  
17:25

BEHRINGER®

Specialized Studio Equipment

PROJECT  
EURO04  
MX9000  
CHANNEL 4

SHEET 4 OF 8 SHEETS TOTAL



REVISIONS D

DRAWN

CHECKED

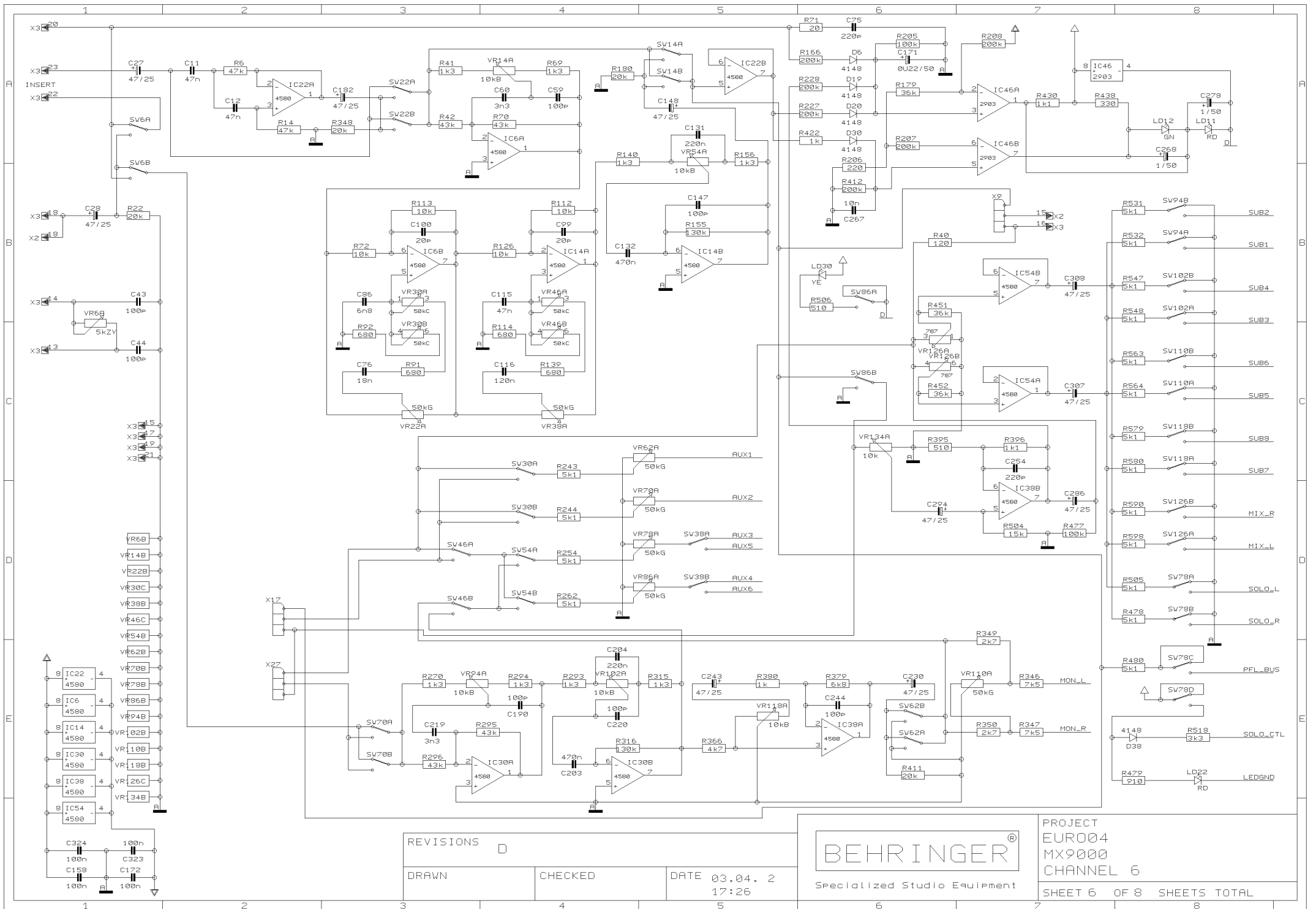
DATE 03.04. 2  
17:26

BEHRINGER®

Specialized Studio Equipment

PROJECT  
EURO04  
MX9000  
CHANNEL 5

SHEET 5 OF 8 SHEETS TOTAL



REVISIONS D

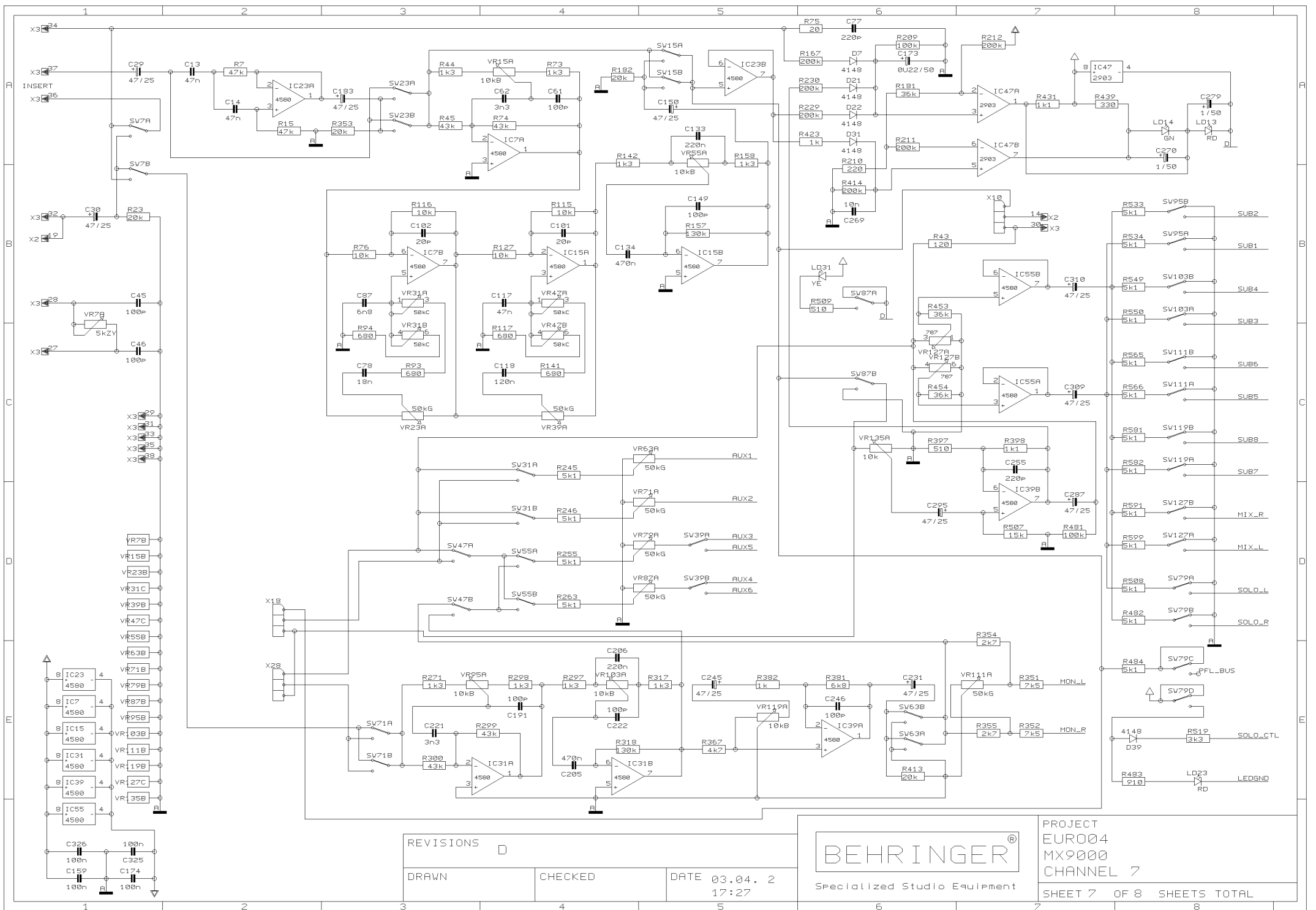
DRAWN

CHECKED

DATE 03.04. 2  
17:26

**BEHRINGER**  
Specialized Studio Equipment

PROJECT  
EURO04  
MX9000  
CHANNEL 6  
SHEET 6 OF 8 SHEETS TOTAL



REVISIONS

D

DRAWN

CHECKED

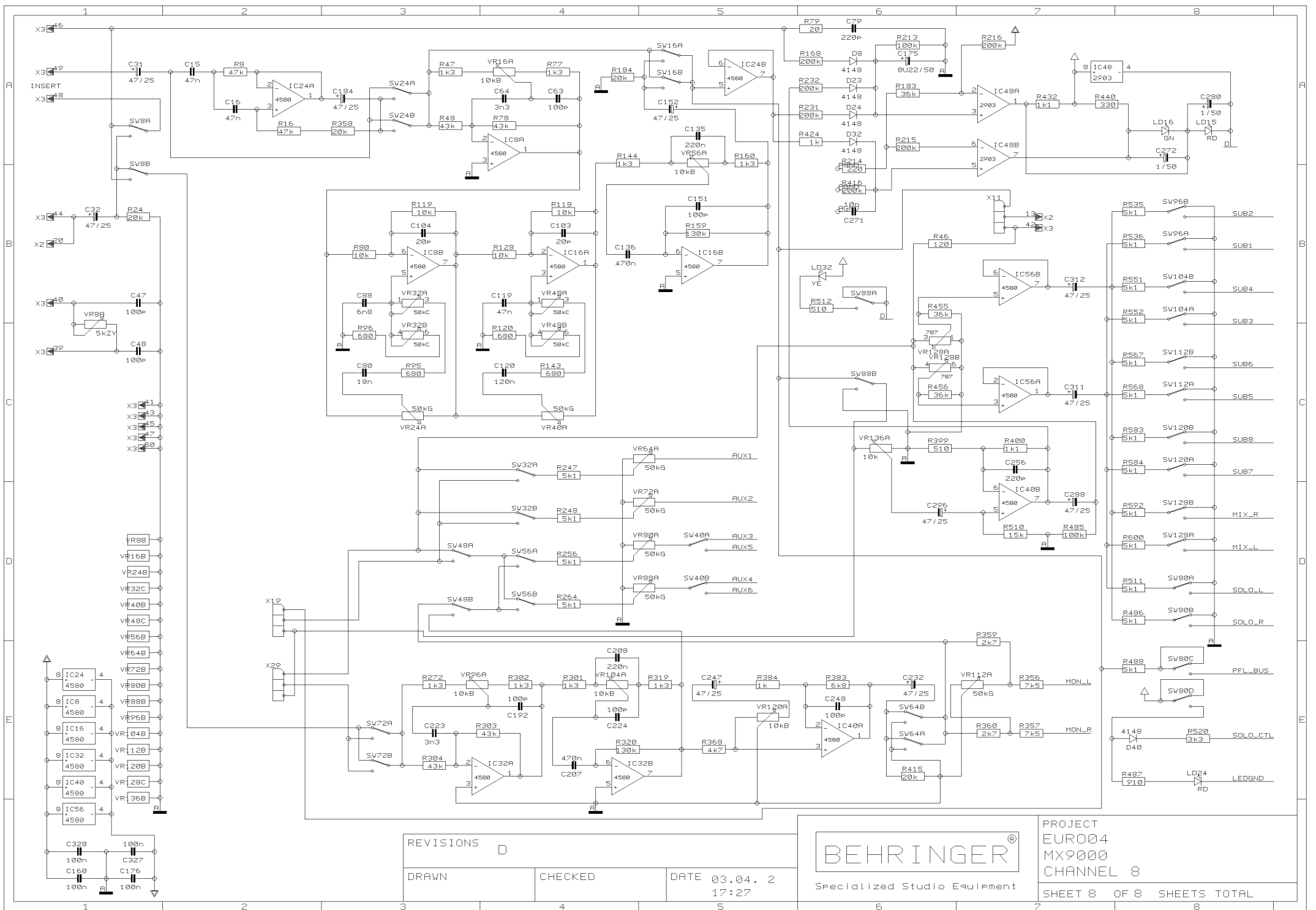
DATE 03.04. 2  
17:27

BEHRINGER®

Specialized Studio Equipment

PROJECT  
EURO04  
MX9000  
CHANNEL 7

SHEET 7 OF 8 SHEETS TOTAL



REVISIONS D

DRAWN

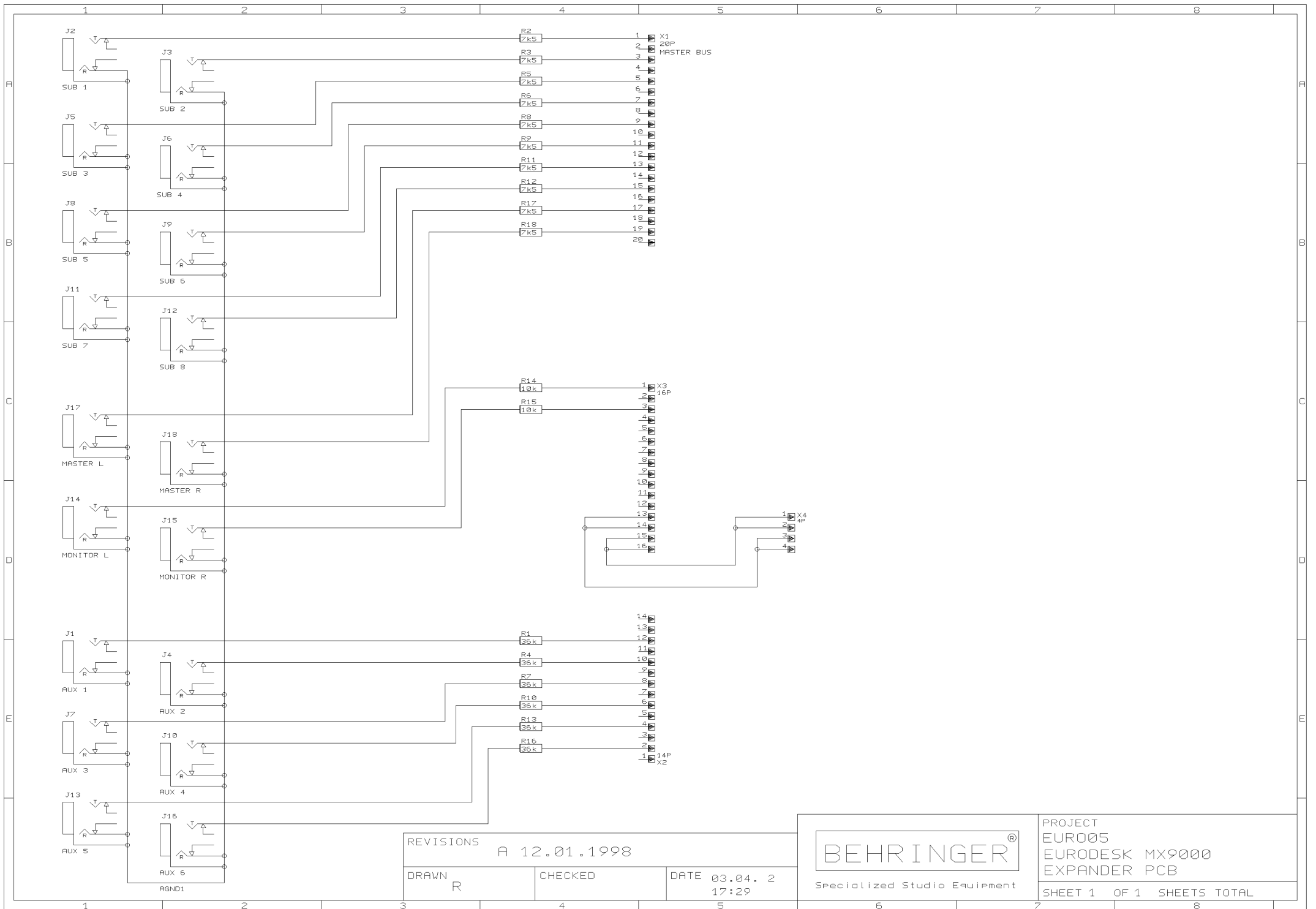
CHECKED

DATE 03.04. 2  
17:27



PROJECT  
EURO04  
MX9000  
CHANNEL 8

SHEET 8 OF 8 SHEETS TOTAL



REVISIONS A 12.01.1998

DRAWN R

CHECKED

DATE 03.04. 2  
17:29

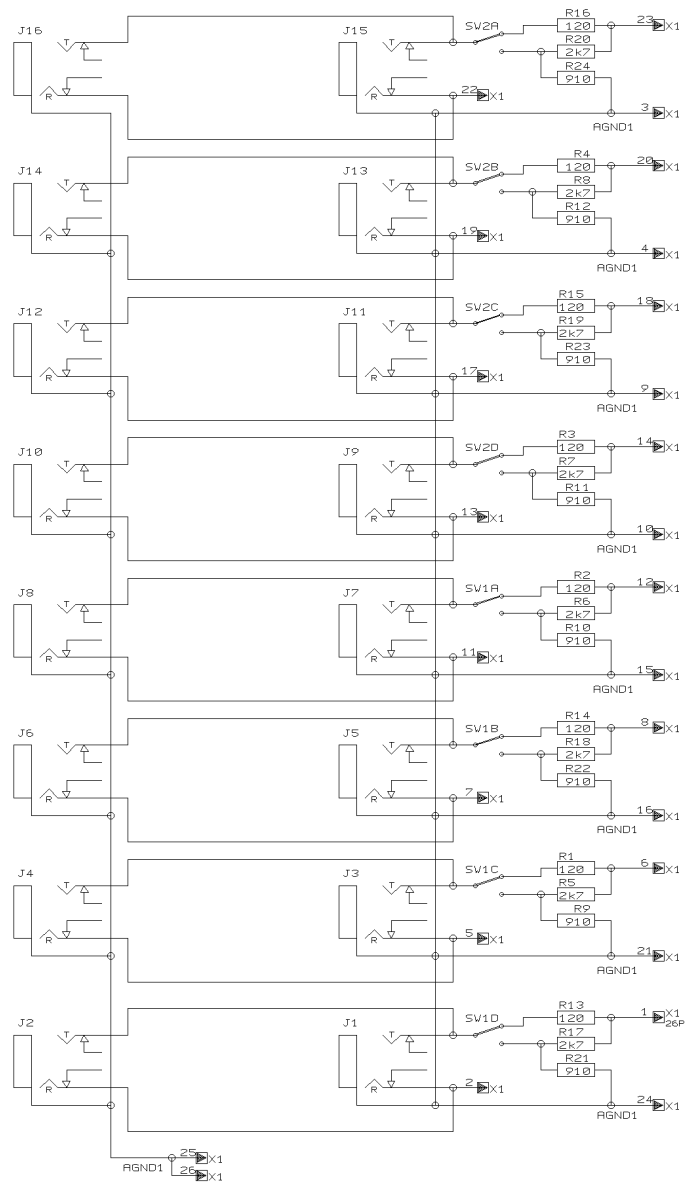


PROJECT  
EURO05  
EURODESK MX9000  
EXPANDER PCB

SHEET 1 OF 1 SHEETS TOTAL

SUBGROUP OUT

TO X10 ON EURO02/MASTER



REVISIONS

A

DRAWN

CHECKED

DATE 05.02. 1  
9:16

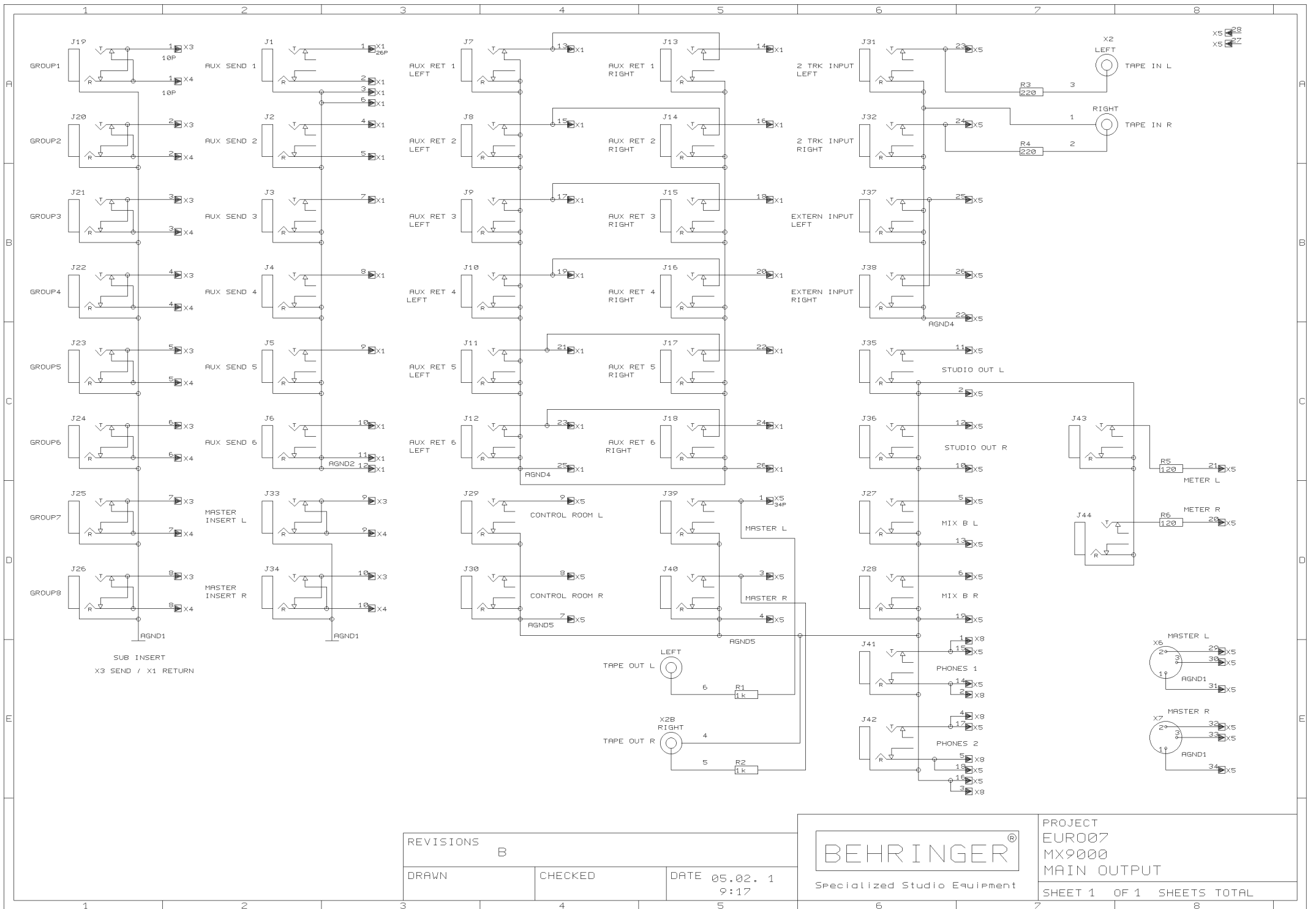


Specialized Studio Equipment

PROJECT  
EURO06  
EURODESK MX9000  
OUTPUT BOARD

SHEET 1 OF 1 SHEETS TOTAL





REVISIONS

B

DRAWN

CHECKED

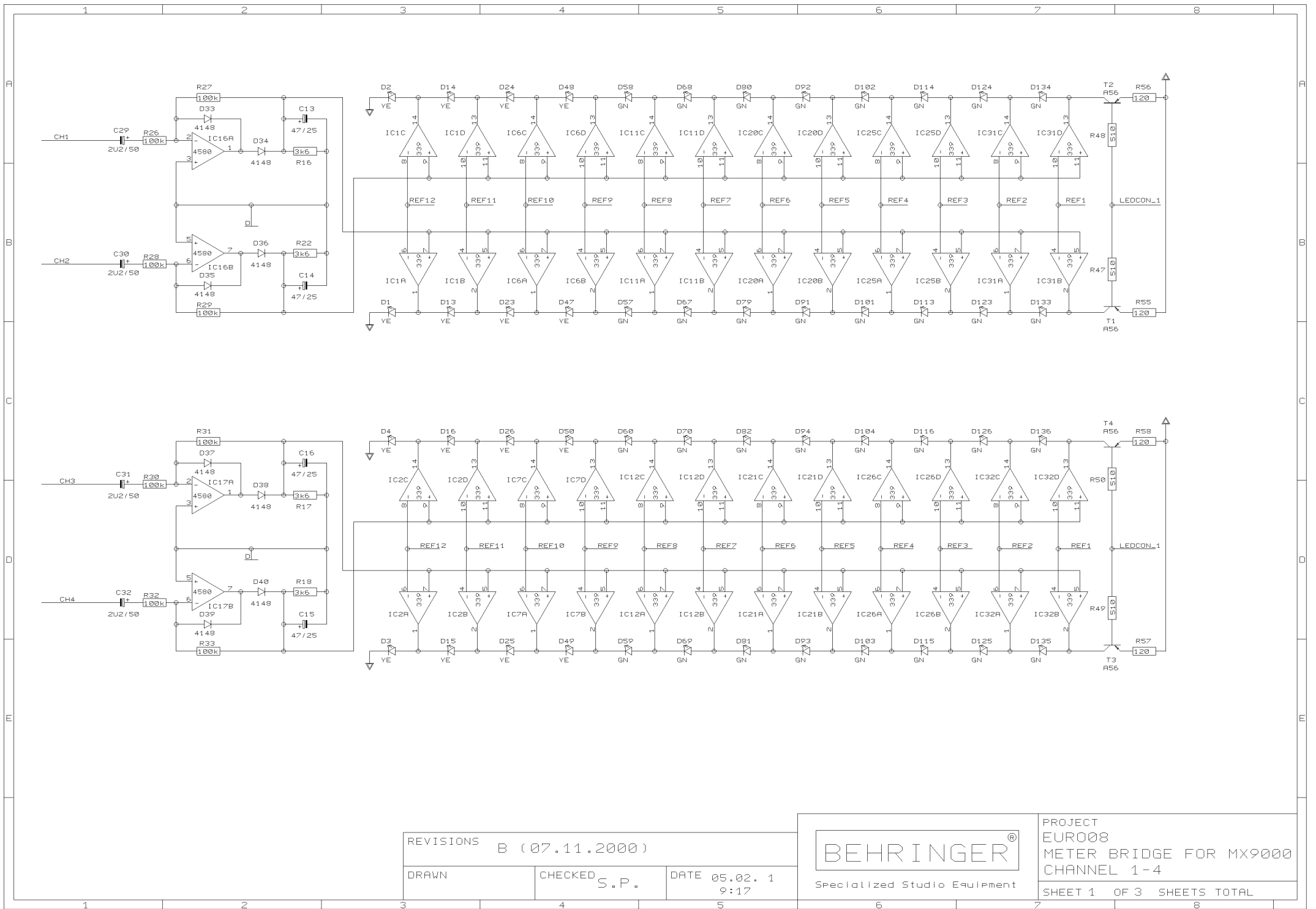
DATE 05.02. 1  
9:17



Specialized Studio Equipment

PROJECT  
EURO07  
MX9000  
MAIN OUTPUT

SHEET 1 OF 1 SHEETS TOTAL



REVISIONS B (07.11.2000)

DRAWN

CHECKED S.P.

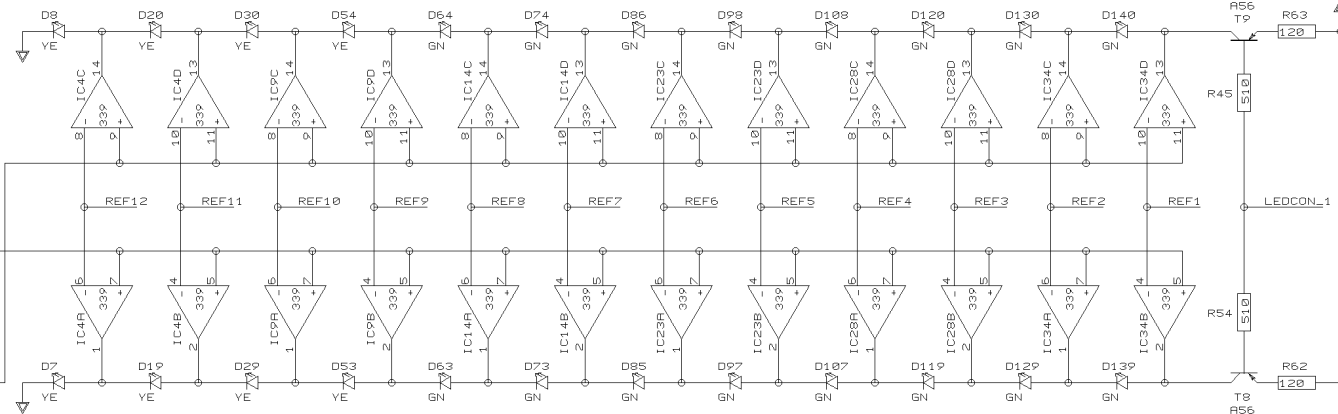
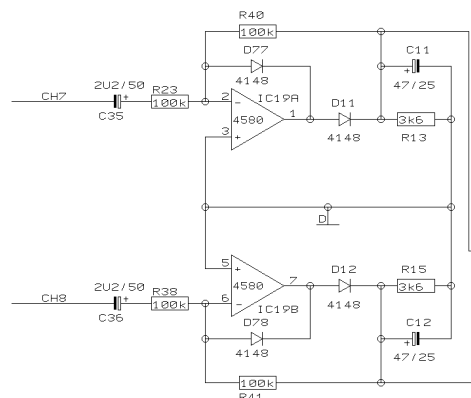
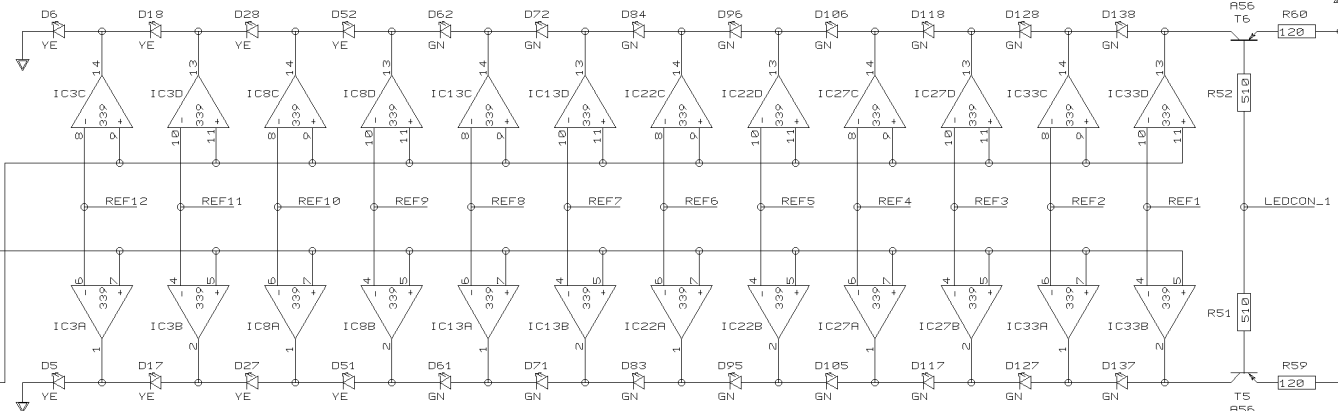
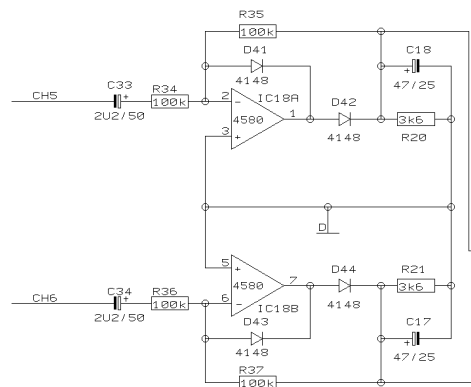
DATE 05.02. 1  
9:17

BEHRINGER®

Specialized Studio Equipment

PROJECT  
EURO08  
METER BRIDGE FOR MX9000  
CHANNEL 1-4

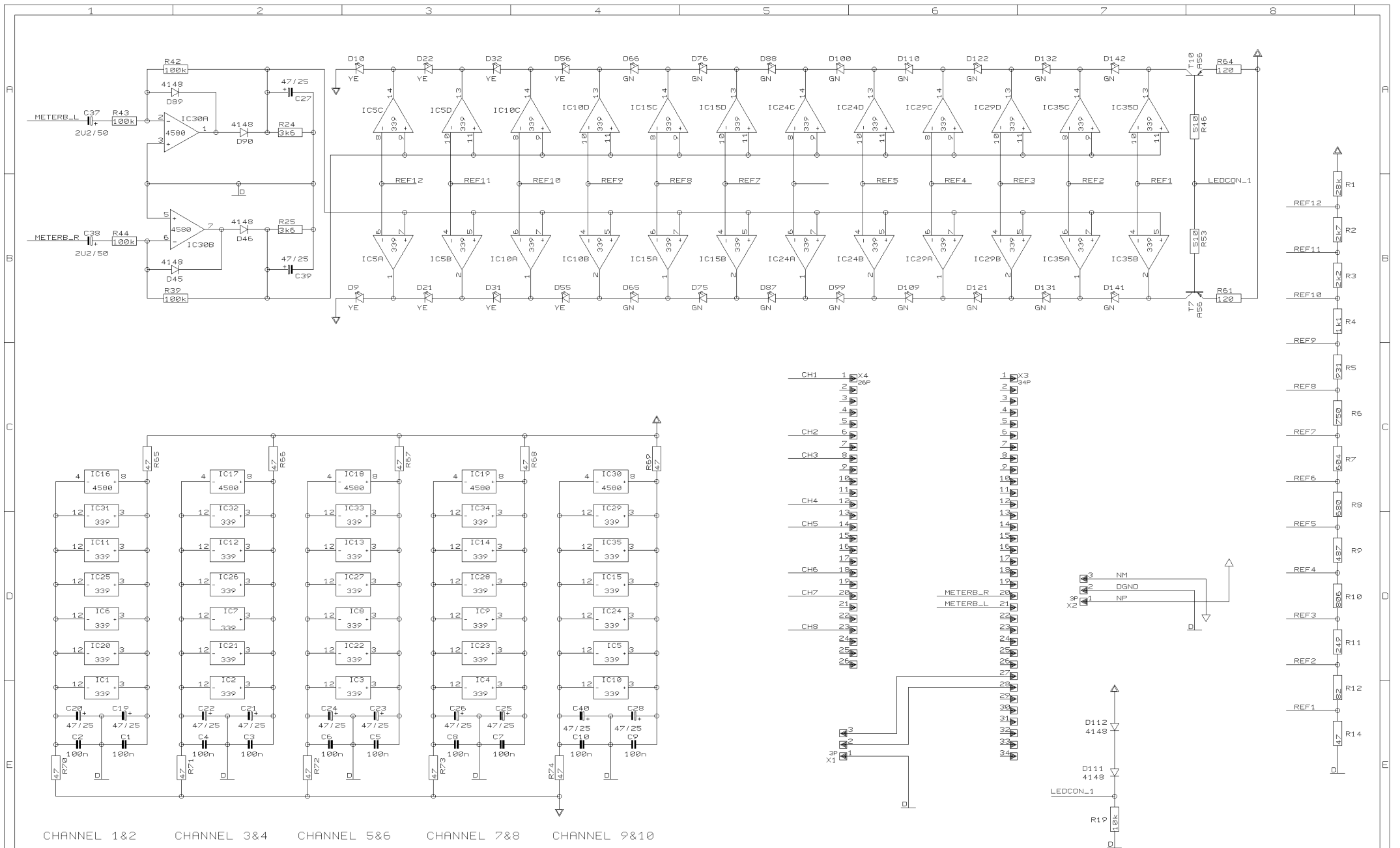
SHEET 1 OF 3 SHEETS TOTAL



REVISIONS		B
DRAWN	CHECKED	DATE 05.02. 1 9:17



PROJECT  
EURO08  
METER BRIDGE FOR MX9000  
CHANNEL 5-8  
SHEET 2 OF 3 SHEETS TOTAL



REVISIONS

B

DRAWN

CHECKED

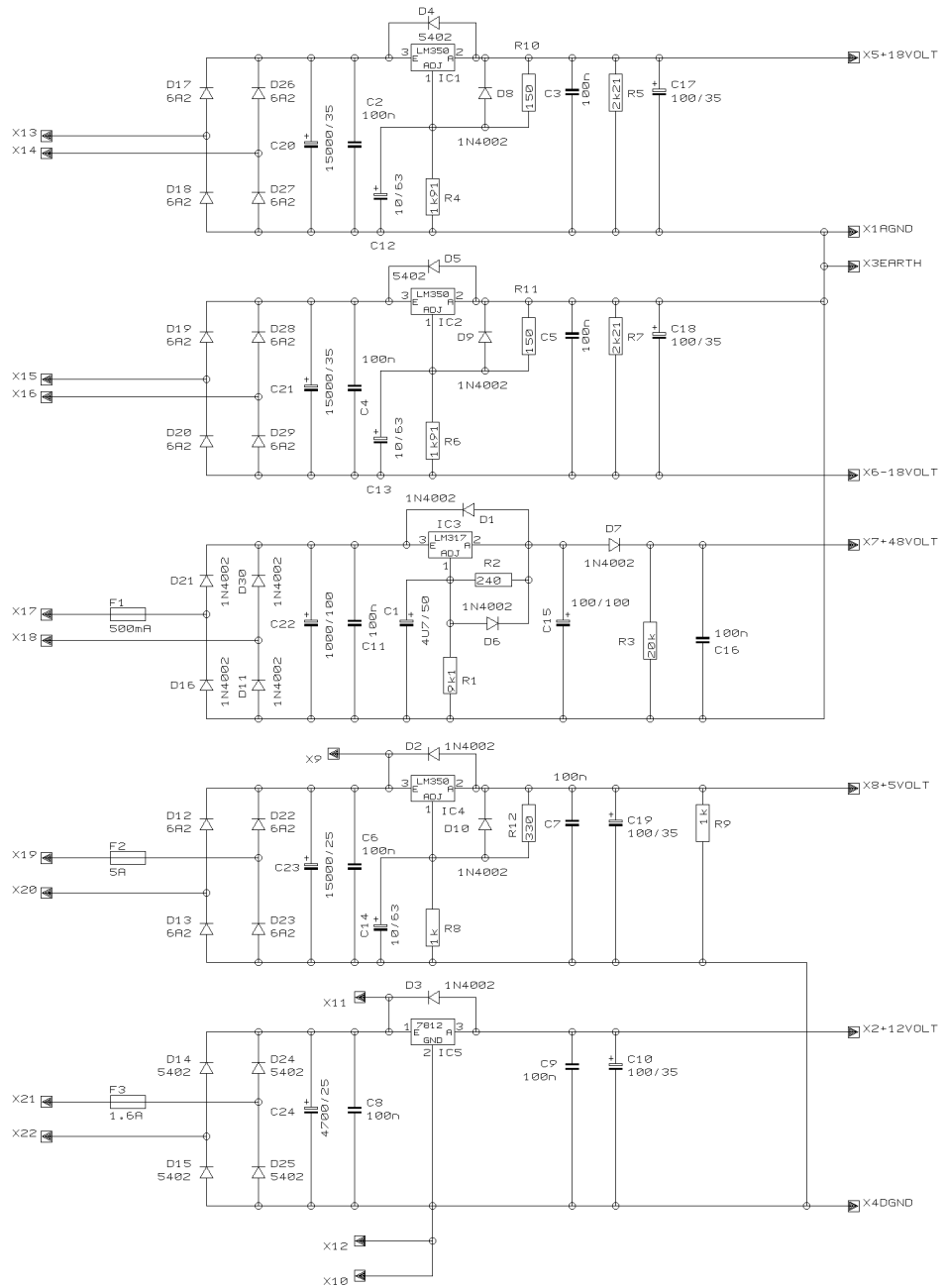
DATE 05.02. 1  
9:17

BEHRINGER®

Specialized Studio Equipment

PROJECT  
EURO08  
METER BRIDGE FOR MX9000  
CHANNEL 9&10 + P-SUPPLY

SHEET 3 OF 3 SHEETS TOTAL



REVISIONS

F

DRAWN

UB

CHECKED

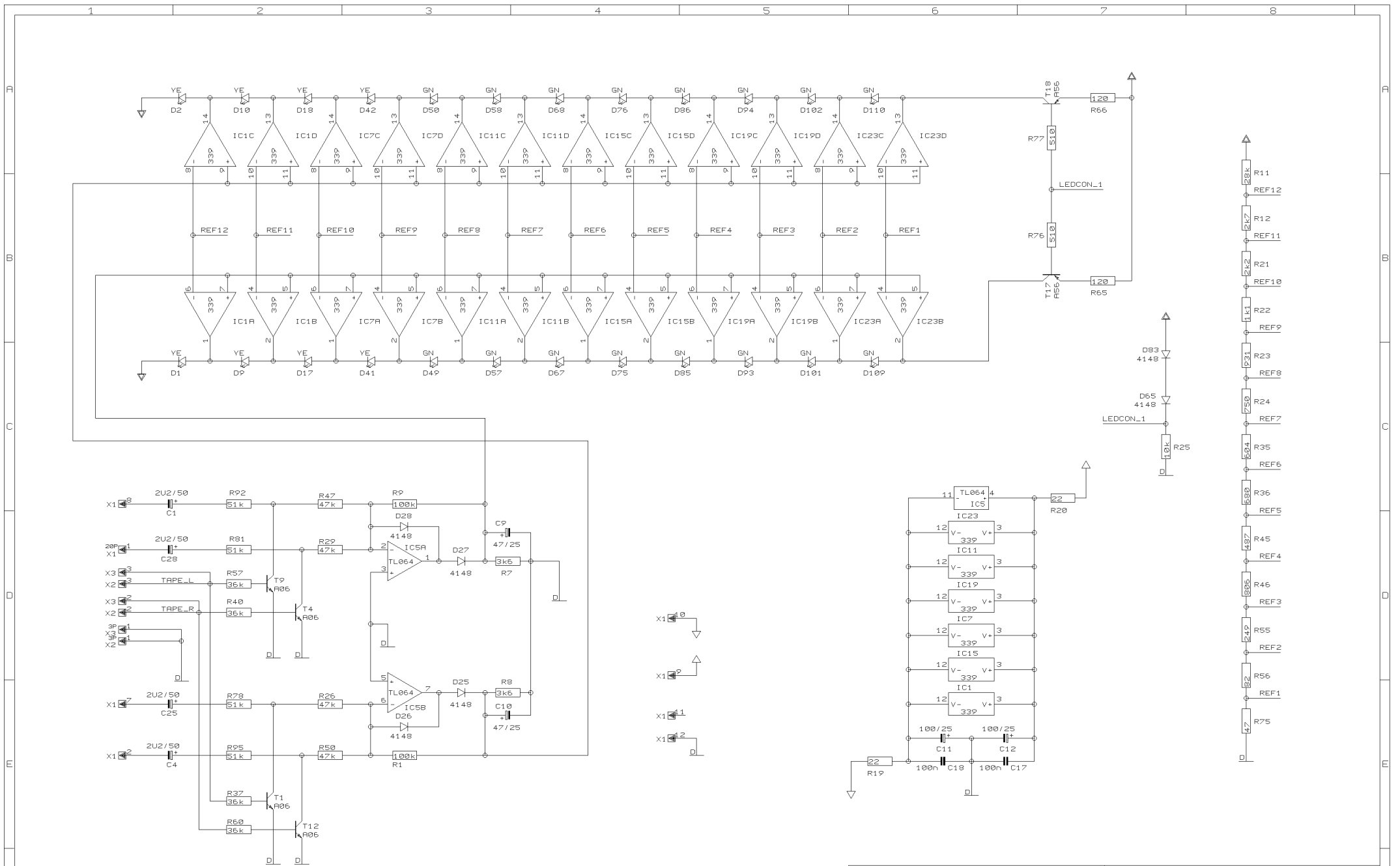
DATE 05.02. 1  
9:19

BEHRINGER®

Specialized Studio Equipment

PROJECT  
EURO09  
EURODESK MX8000  
POWER SUPPLY

SHEET 1 OF 1 SHEETS TOTAL



REVISIONS C (07.11.2000)

DRAWN

CHECKED

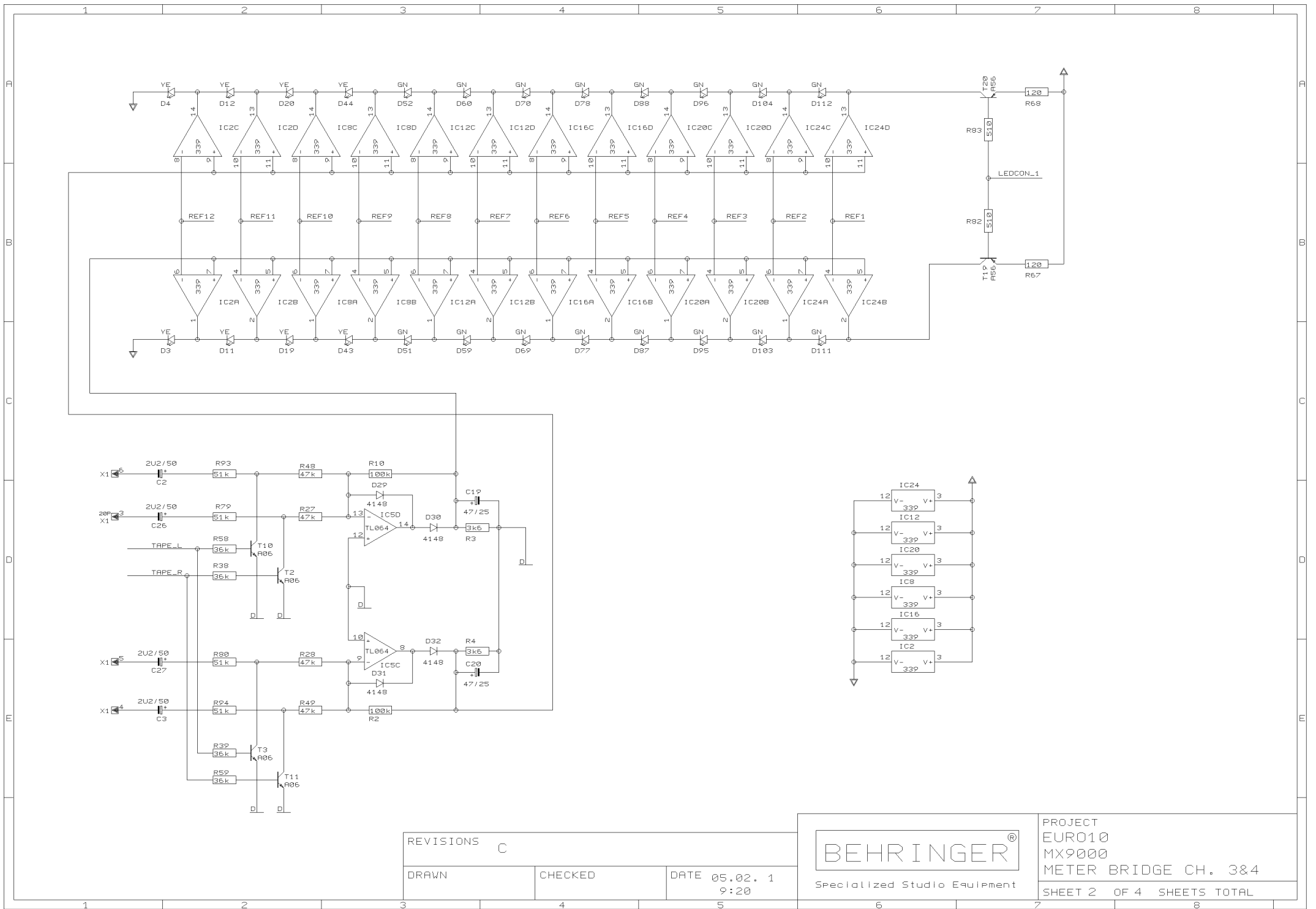
DATE 05.02. 1  
9:20

BEHRINGER®

Specialized Studio Equipment

PROJECT  
EURO10  
MX9000  
METER BRIDGE CH. 1&2

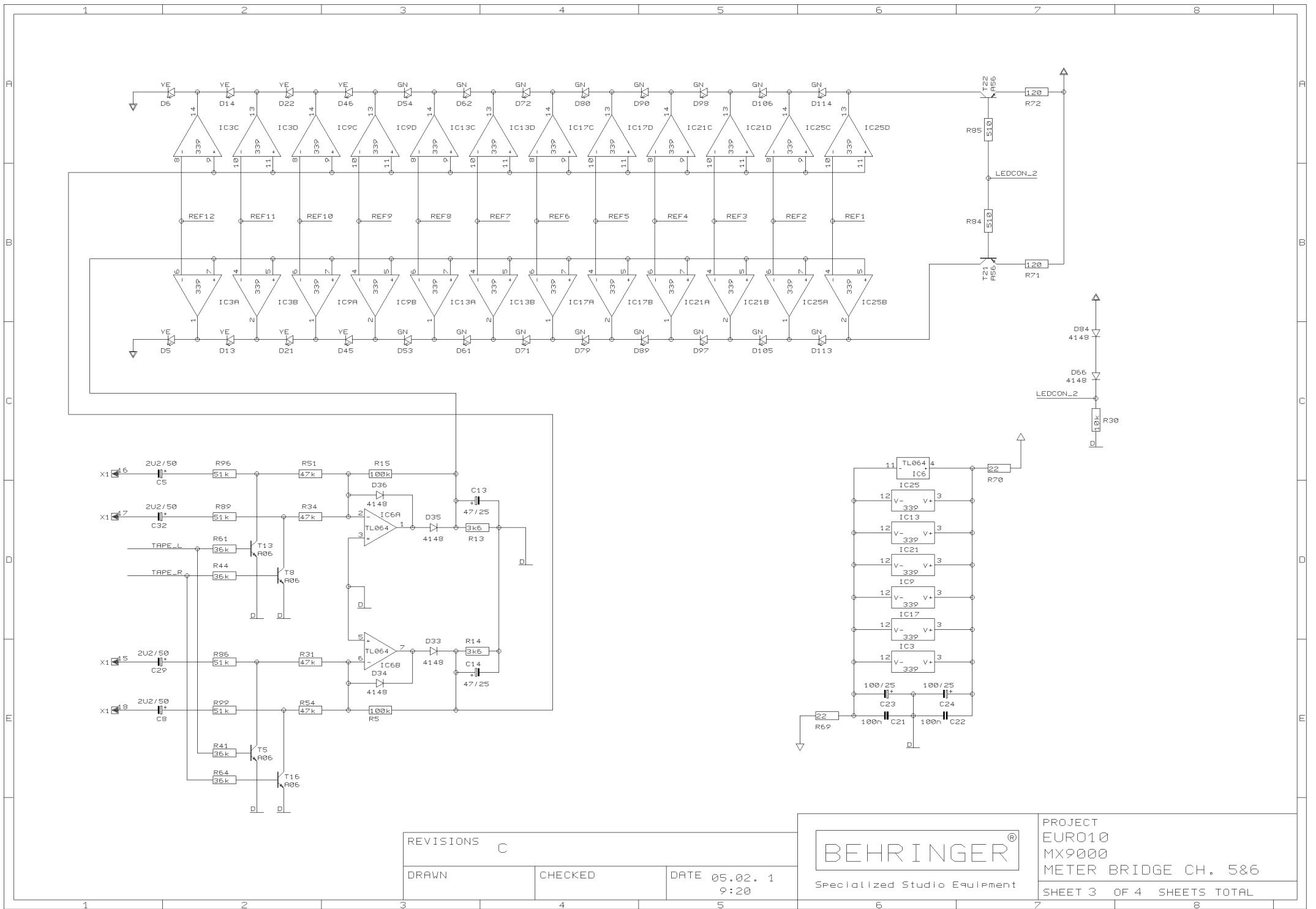
SHEET 1 OF 4 SHEETS TOTAL



REVISIONS		
C		
DRAWN	CHECKED	DATE 05.02. 1 9:20



PROJECT	EURO10
	MX9000
	METER BRIDGE CH. 3&4
SHEET 2	OF 4 SHEETS TOTAL

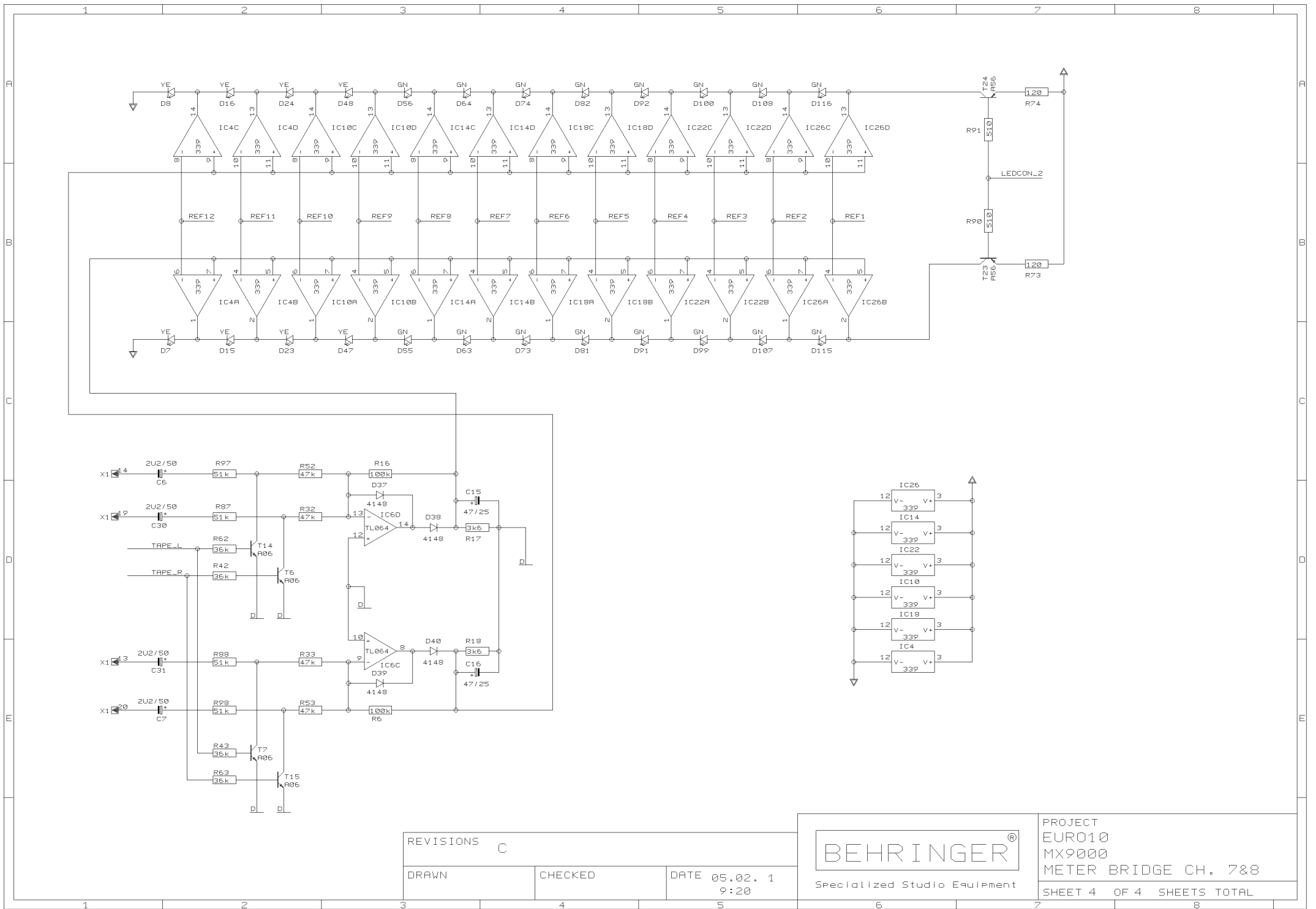


REVISIONS		
C		
DRAWN	CHECKED	DATE 05.02. 1 9:20



PROJECT  
 EURO10  
 MX9000  
 METER BRIDGE CH. 5&6  
 SHEET 3 OF 4 SHEETS TOTAL





REVISIONS C

DRAWN

CHECKED

DATE 05.02. 1  
9:20



PROJECT  
EURO10  
MX9000  
METER BRIDGE CH. 7&8  
SHEET 4 OF 4 SHEETS TOTAL

**MX8000**  
**MX9000**

DC POWER IN	
E	+ 18 V --
F	- 18 V --
D	+ 48V --
B	<del>+ 18 V</del> <sup>+12V</sup> --
A	+ 5 V --

