

***MESA/BOOGIE***<sup>®</sup>

*F-30*

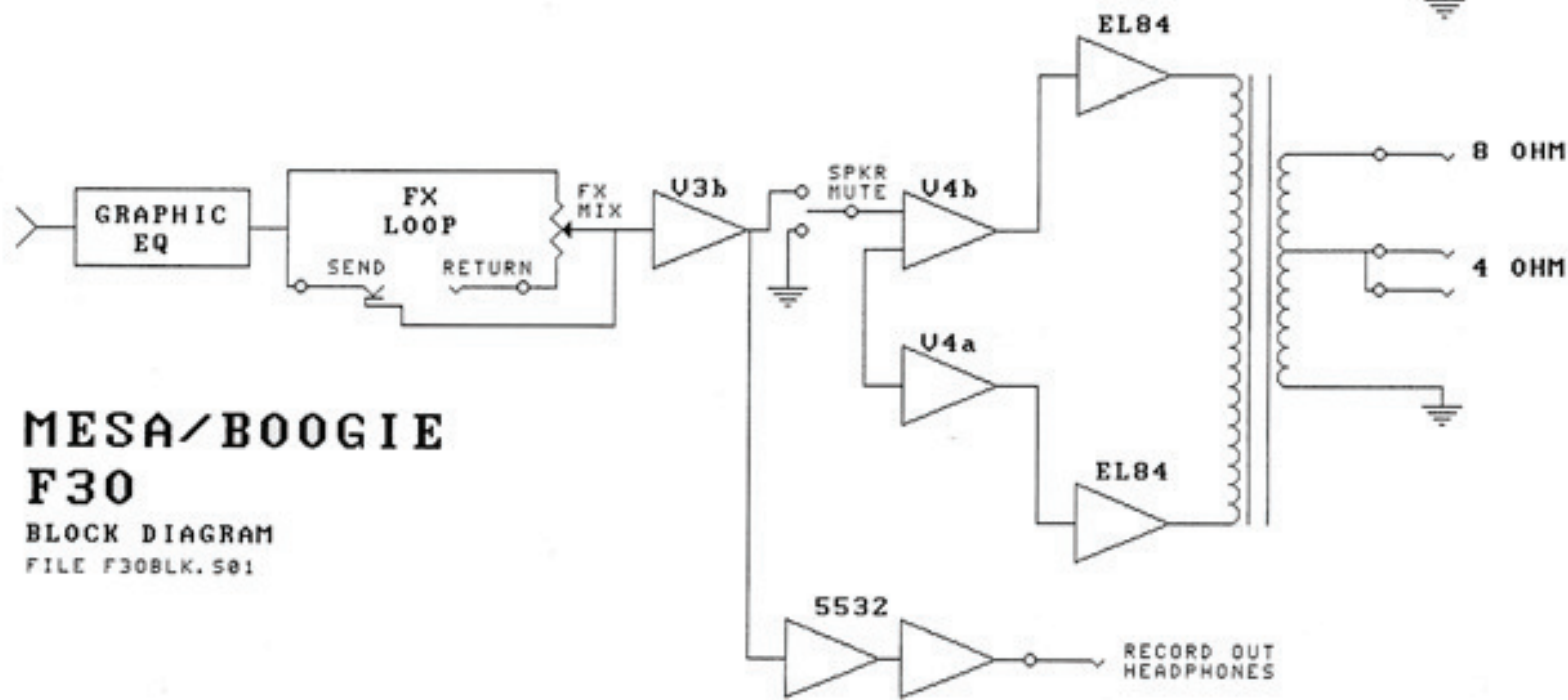
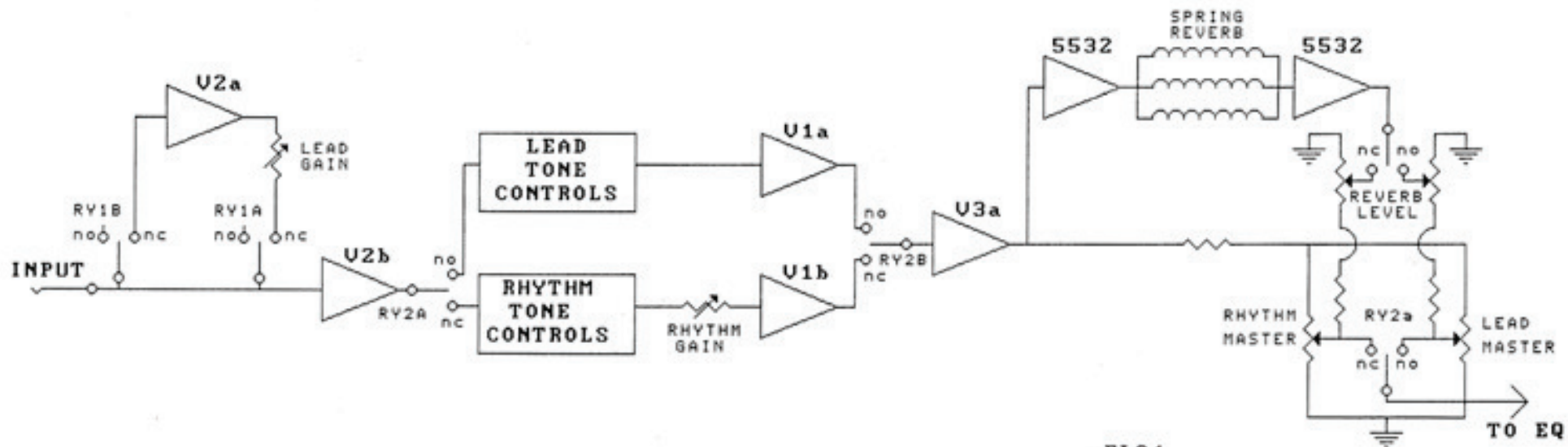
**FRONT PANEL**

| <b>CHANNEL 1</b>        |             |                   |
|-------------------------|-------------|-------------------|
| <b>Control Function</b> | <b>Type</b> | <b>Mesa Part#</b> |
| Gain                    | Pot<br>Knob | 591842<br>408115  |
| Treble                  | Pot<br>Knob | 593148<br>408115  |
| Middle                  | Pot<br>Knob | 593736<br>408115  |
| Bass                    | Pot<br>Knob | 593148<br>408115  |
| Reverb                  | Pot<br>Knob | 593150<br>408115  |
| Master                  | Pot<br>Knob | 592738<br>408115  |

| <b>CHANNEL 2</b>        |             |                   |
|-------------------------|-------------|-------------------|
| <b>Control Function</b> | <b>Type</b> | <b>Mesa Part#</b> |
| Gain                    | Pot<br>Knob | 593739<br>408115  |
| Treble                  | Pot<br>Knob | 592738<br>408115  |
| Middle                  | Pot<br>Knob | 593737<br>408115  |
| Bass                    | Pot<br>Knob | 593739<br>408115  |
| Reverb                  | Pot<br>Knob | 593150<br>408115  |
| Master                  | Pot<br>Knob | 592794<br>408115  |

| <b>MISC PARTS</b>       |              |                   |
|-------------------------|--------------|-------------------|
| <b>Control Function</b> | <b>Type</b>  | <b>Mesa Part#</b> |
| Input                   | Jack         | 610120            |
| Channel Select          | Switch       | 607303            |
| <b>Pilot Light</b>      | Light        | 703047            |
|                         | Lens         | 703782            |
| <b>Standby Power</b>    | Light Holder | 703850            |
|                         | Switch       | 601073            |
|                         | Switch       | 601073            |

| <b>REAR PANEL</b>       |             |  |
|-------------------------|-------------|--|
| <b>MISC PARTS</b>       |             |  |
| <b>Control Function</b> | <b>Type</b> | <b>Mesa Part#</b>                              |
| <b>Fuse Holder</b>      | Domestic    | Cap/Holder<br>Fuse                             |
|                         | Export      | Cap/Holder<br>Fuse                             |
| Record/Phones           | Jack        | 790347<br>790200<br>790346<br>795101<br>618100 |
| <b>FX Loop</b>          | Mix Level   | Pot<br>Knob                                    |
|                         | Send        | Jack   |
| Return                  | Jack        | 593737<br>408004<br>618100<br>618100           |
| Speaker Mute            | Switch      | 600115   |
| Speaker Outs(3)         | Jack        | 618100   |
| AC                      | Jack        | 613713   |
| Footswitch              | Jack        | 613615   |



## MESA/BOOGIE F30

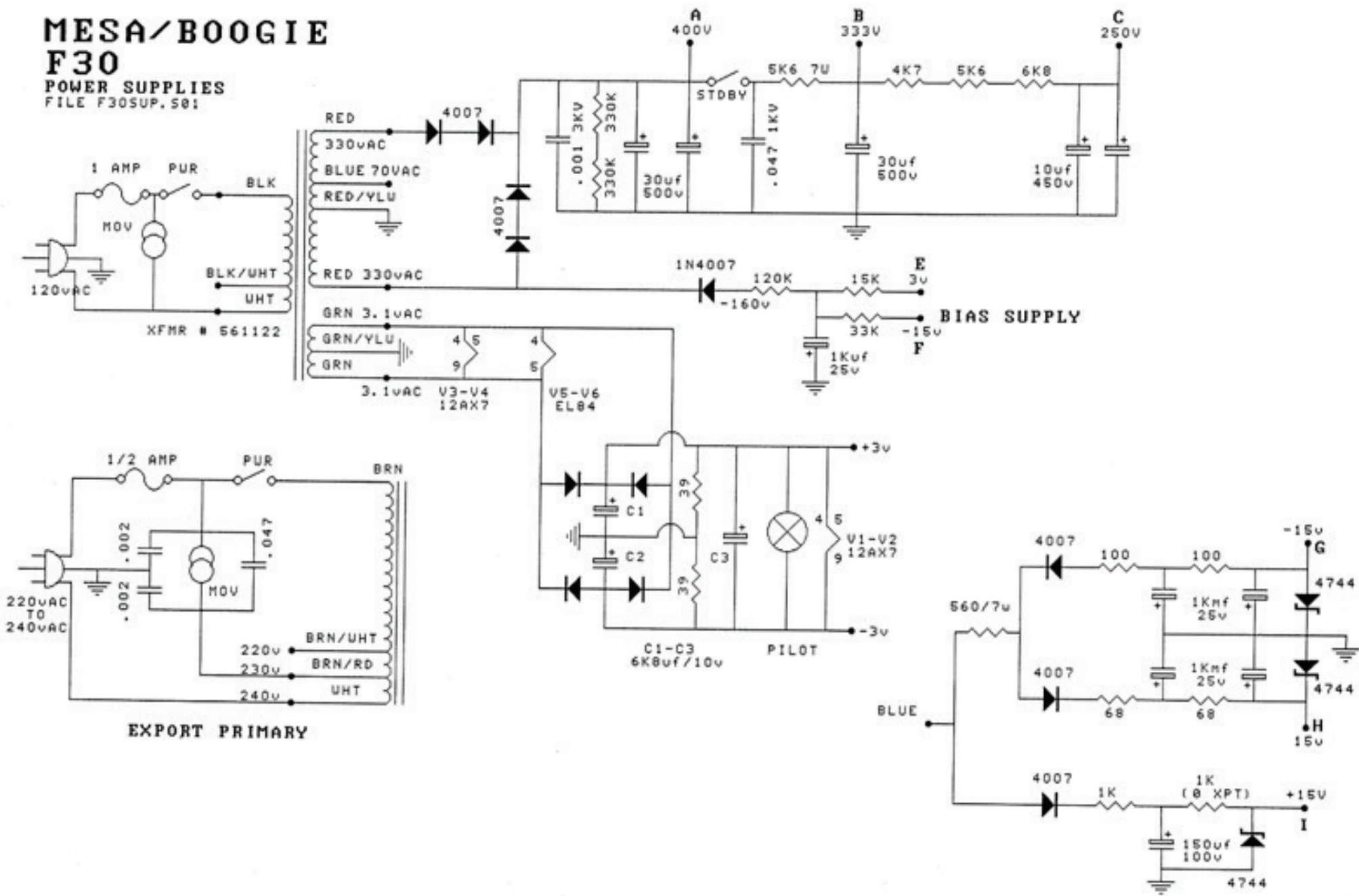
BLOCK DIAGRAM  
FILE F30BLK.501

# MESA/BOOGIE

## F30

POWER SUPPLIES

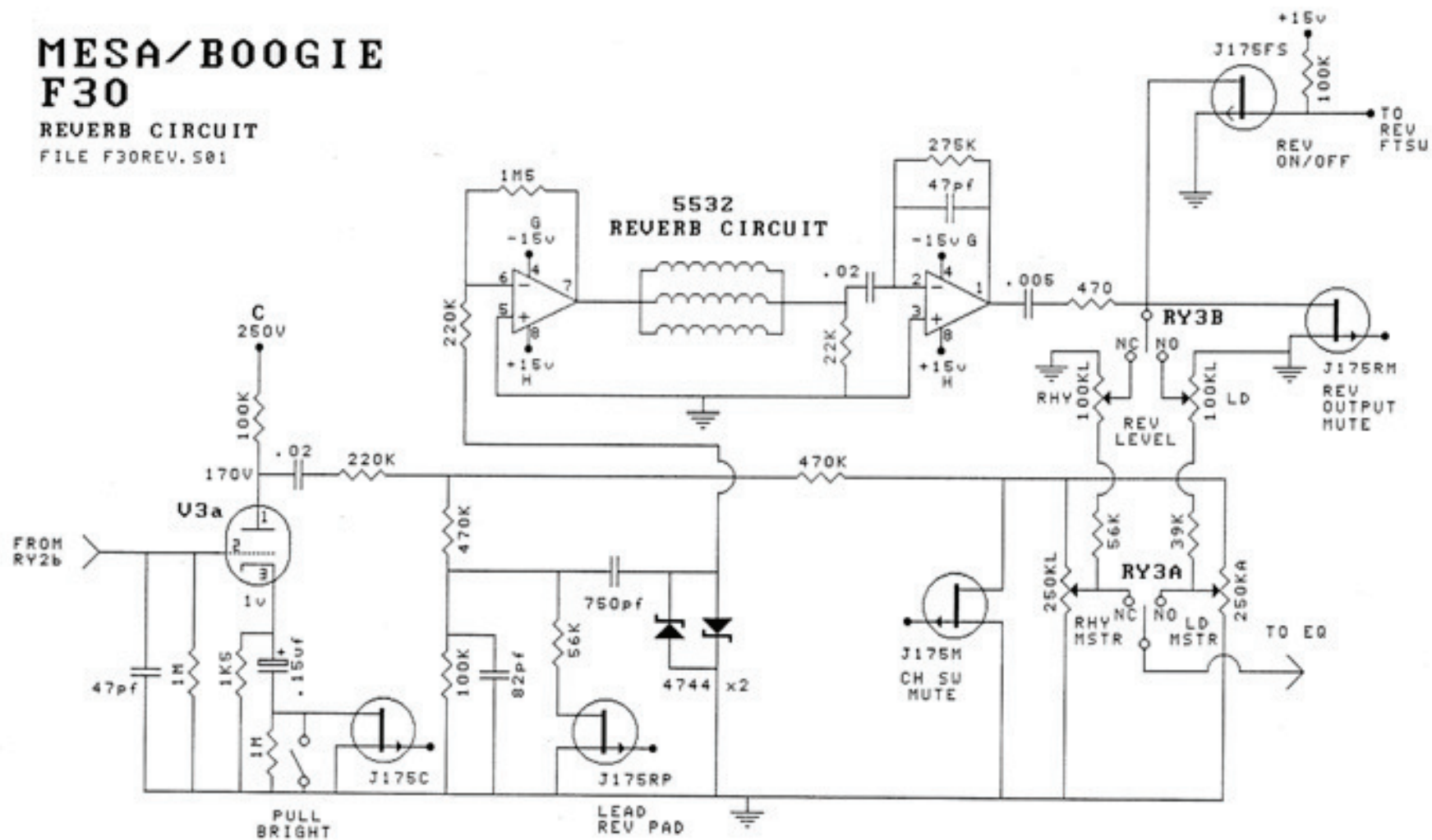
FILE F30SUP.501



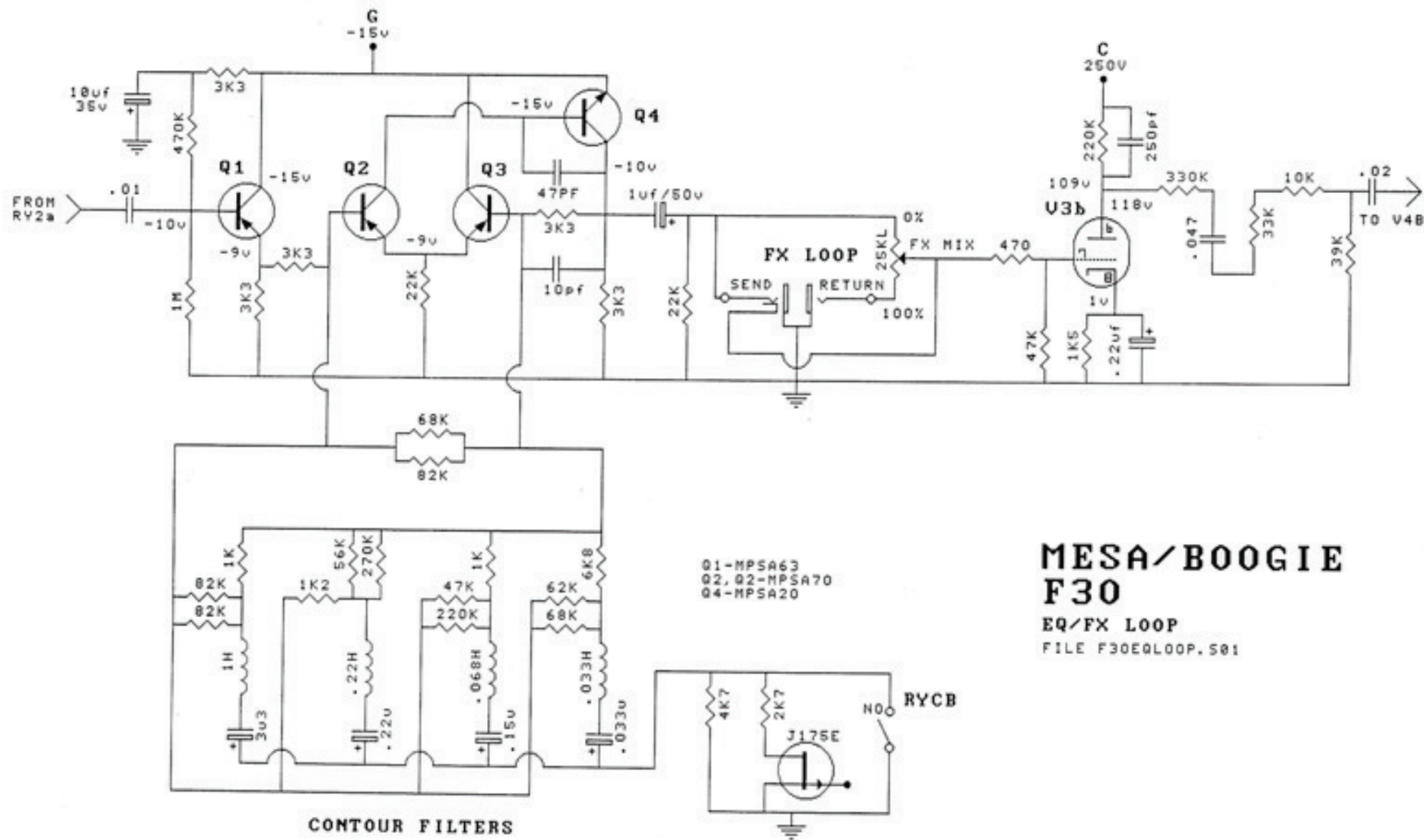


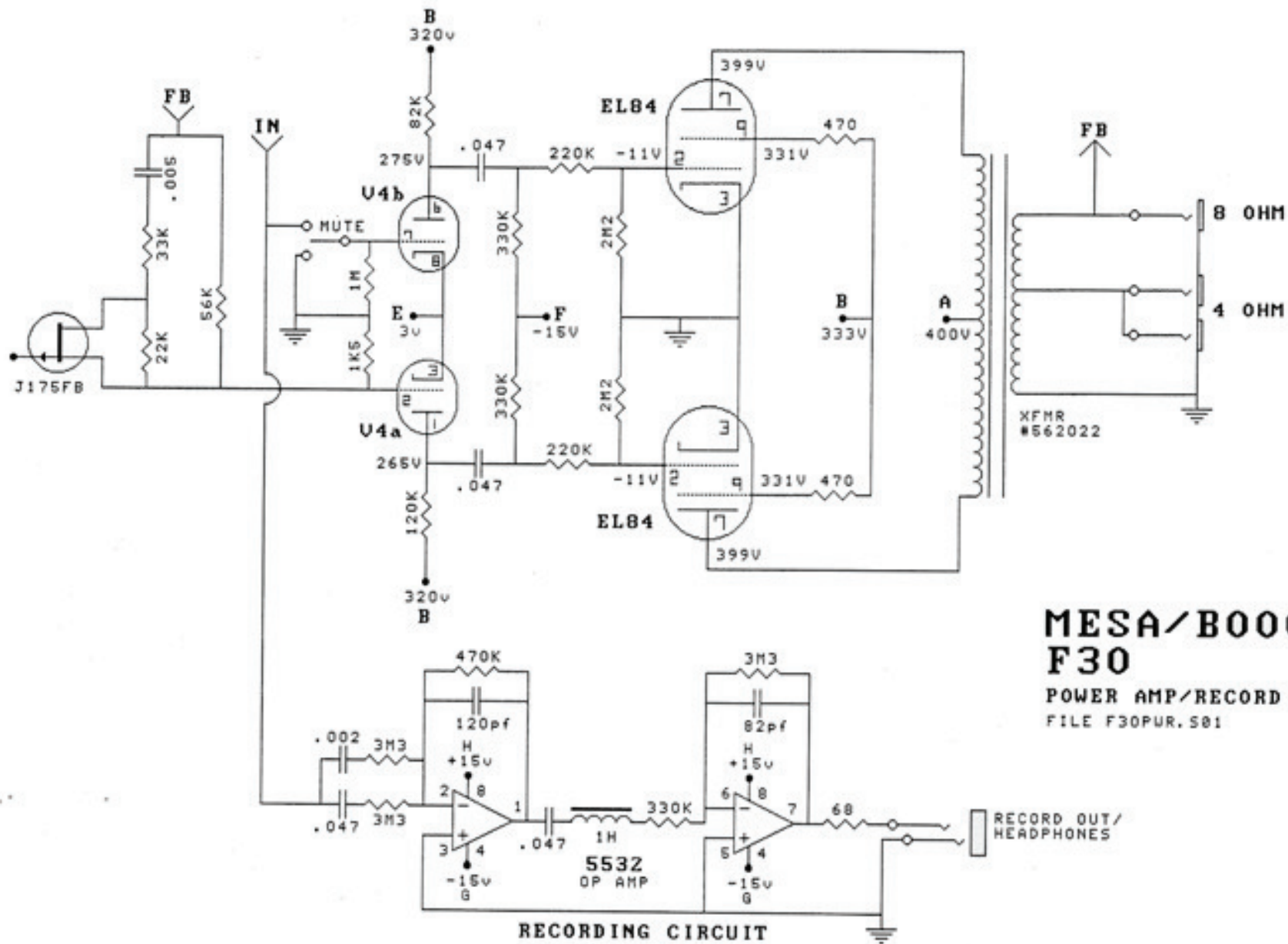
# MESA/BOOGIE F30

REVERB CIRCUIT  
FILE F30REV.501



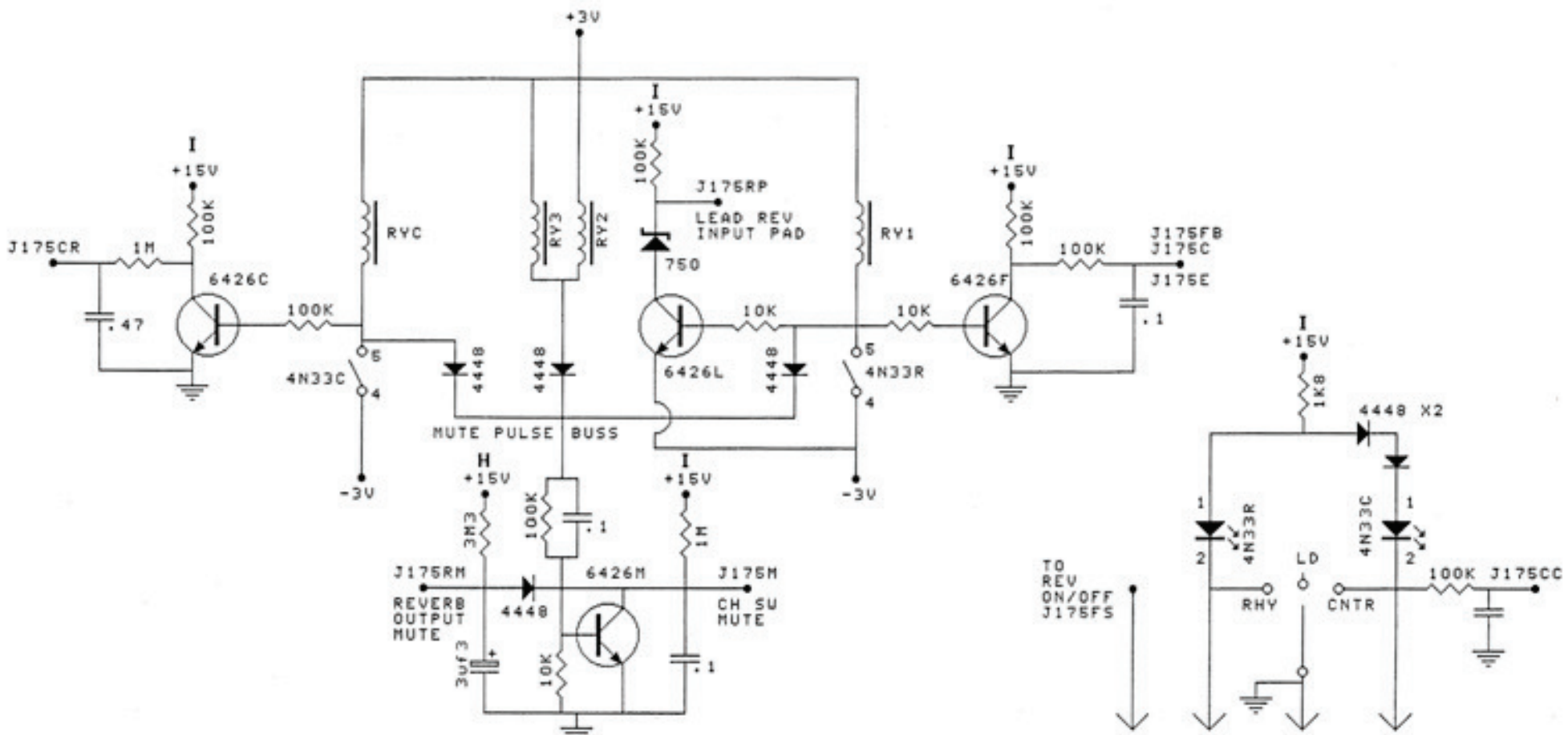




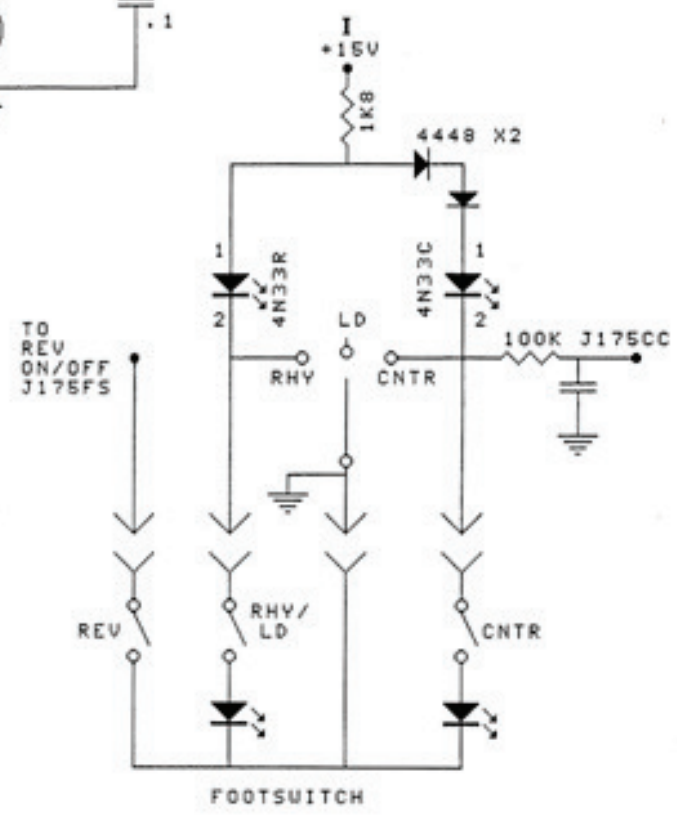


**MESA/BOOGIE**  
**F30**  
 POWER AMP/RECORD OUT  
 FILE F30PUR.S01





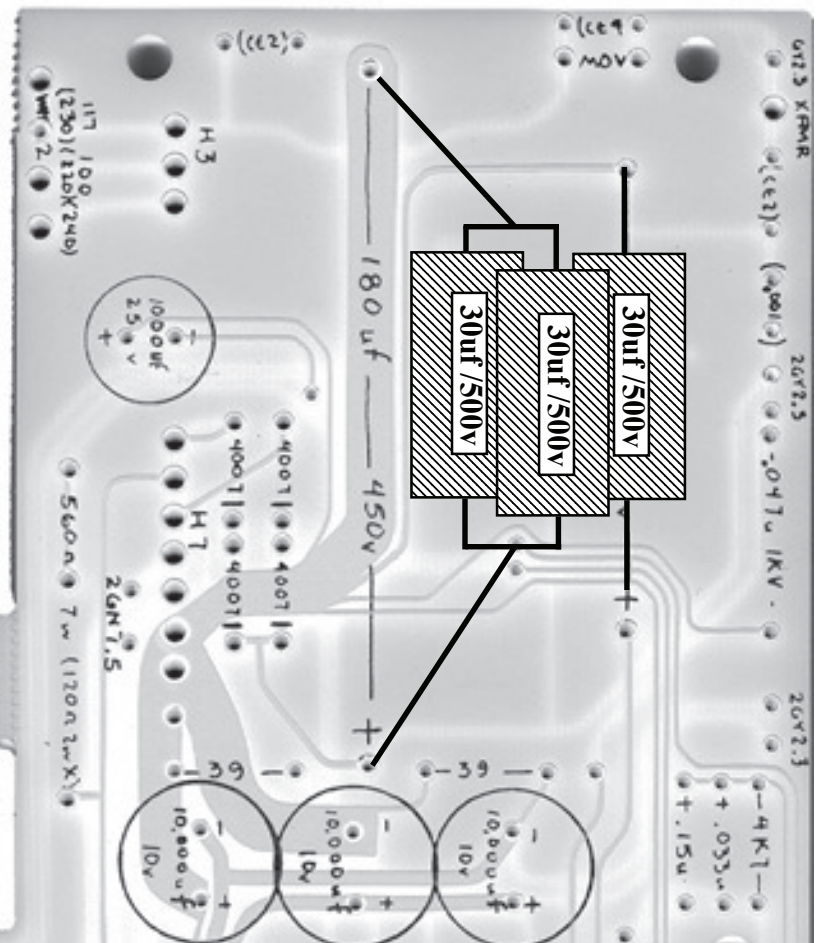
**MESA/BOOGIE**  
**F30**  
 SWITCHING MATRIX  
 FILE F30SU1.501



# F-30™

## Power Supply Mod

-Replaces 180uf / 450v filter cap with two 30uf / 500v filter caps in parallel



1 Remove 180uf / 450v cap.

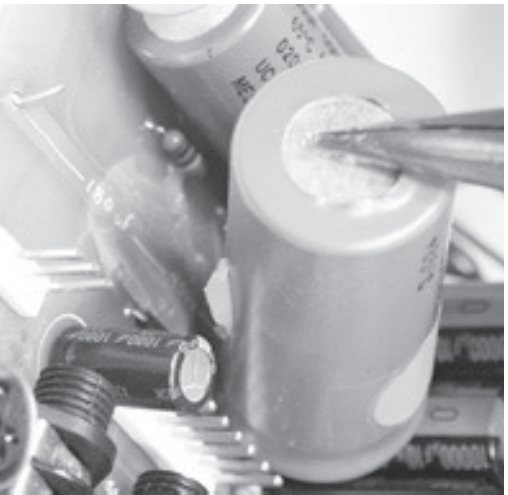
2 To remove cap: Clip leads at midpoint. Pull firmly upwards to break glue bond (see below).

*\*\*note: If cap is extremely difficult to remove: Cut the plastic, remove the metal cap, peel off plastic.*

3 Install two 30uf / 500v as shown above.

4 Glue caps to board with silicon.

### Breaking Glue Bond



### Finished Installation

