

6 5 4 3 2 1

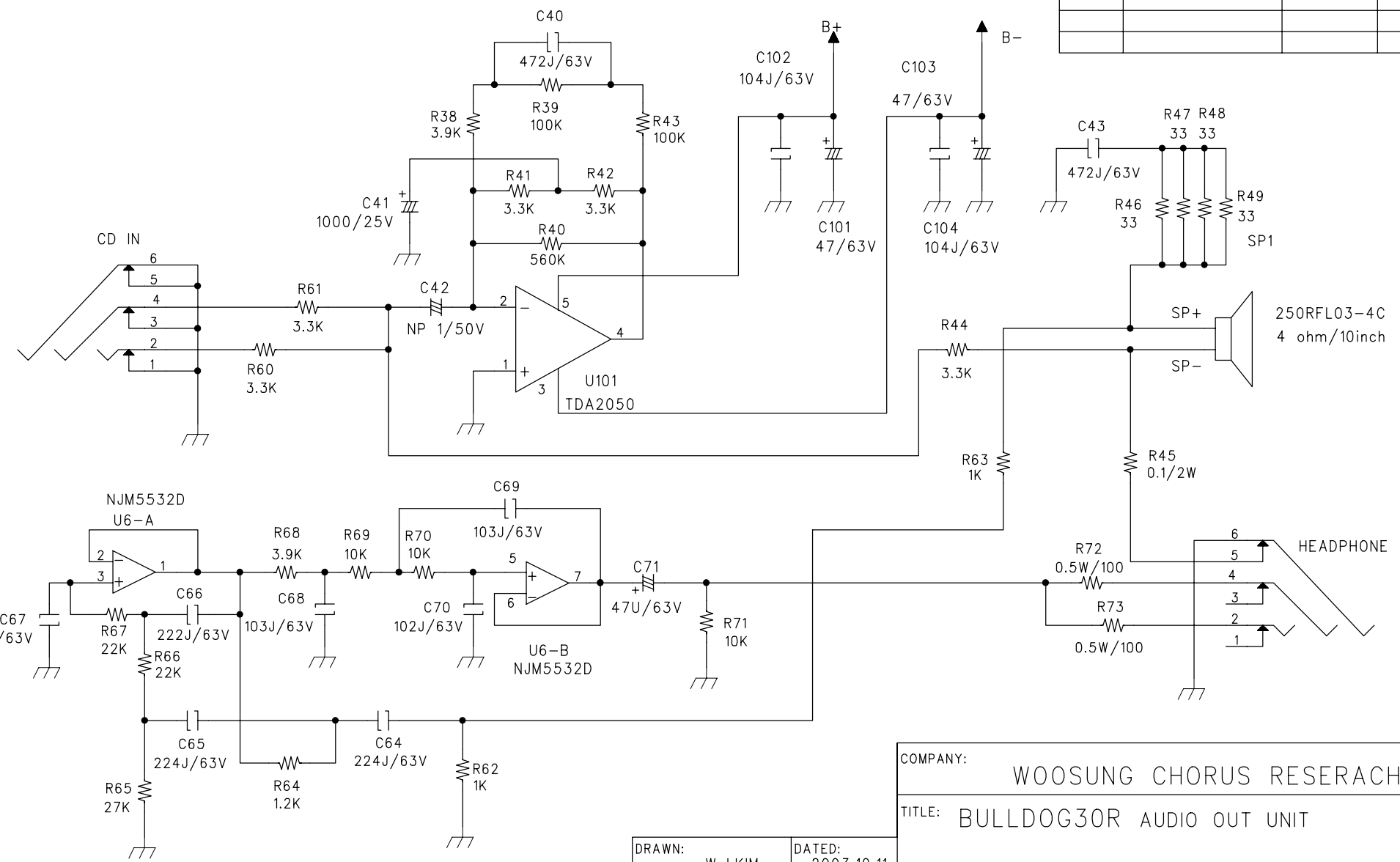
D

C

B

A

REVISION RECORD			
LTR	ECO NO:	APPROVED:	DATE:



COMPANY: WOOSUNG CHORUS RESERACH

TITLE: BULLDOG30R AUDIO OUT UNIT

DRAWN:	W.J.KIM	DATED:	2003.10.11
CHECKED:		DATED:	
QUALITY CONTROL:		DATED:	
RELEASED:		DATED:	

CODE:	SIZE:	DRAWING NO:	REV:
			1

D

C

B

A

6

5

4

3

2

1

REVISION RECORD			
LTR	ECO NO:	APPROVED:	DATE:

D

D

C

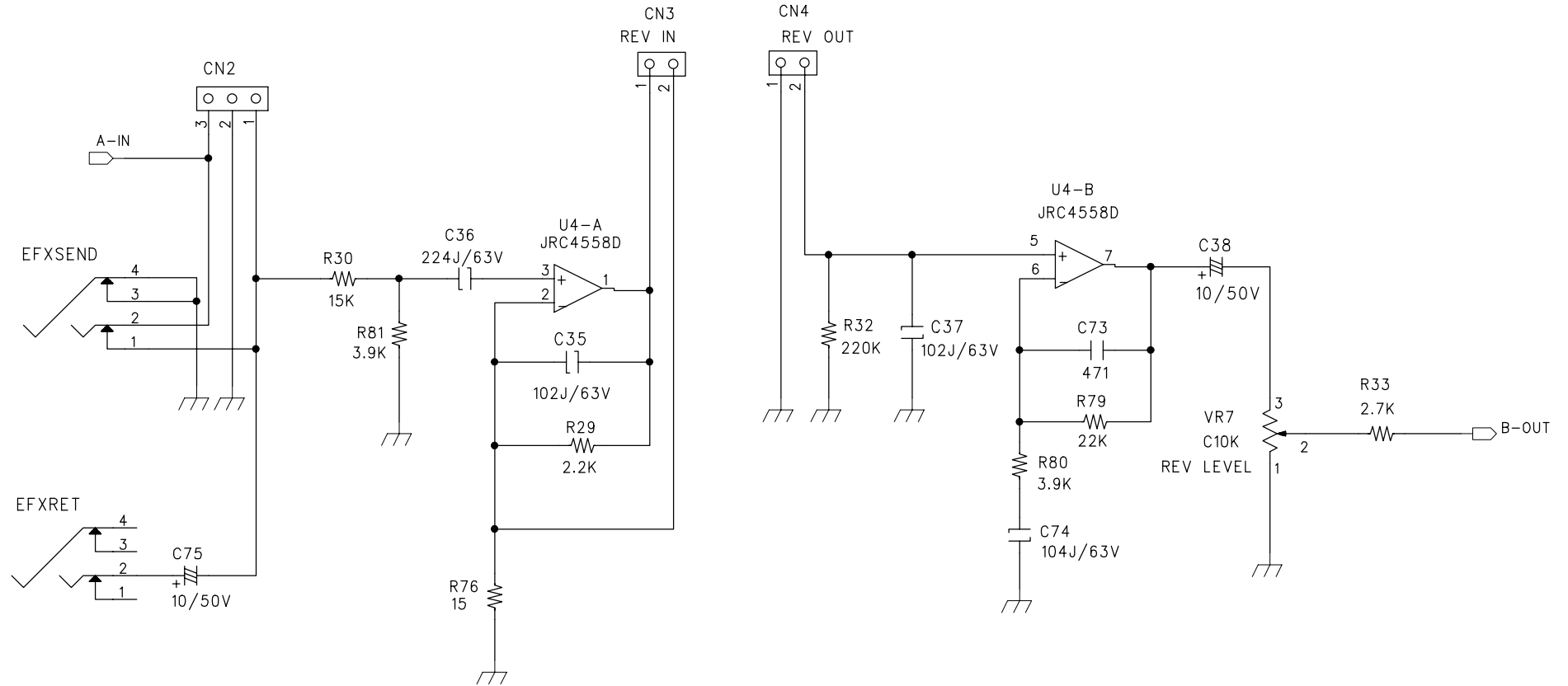
C

B

B

A

A

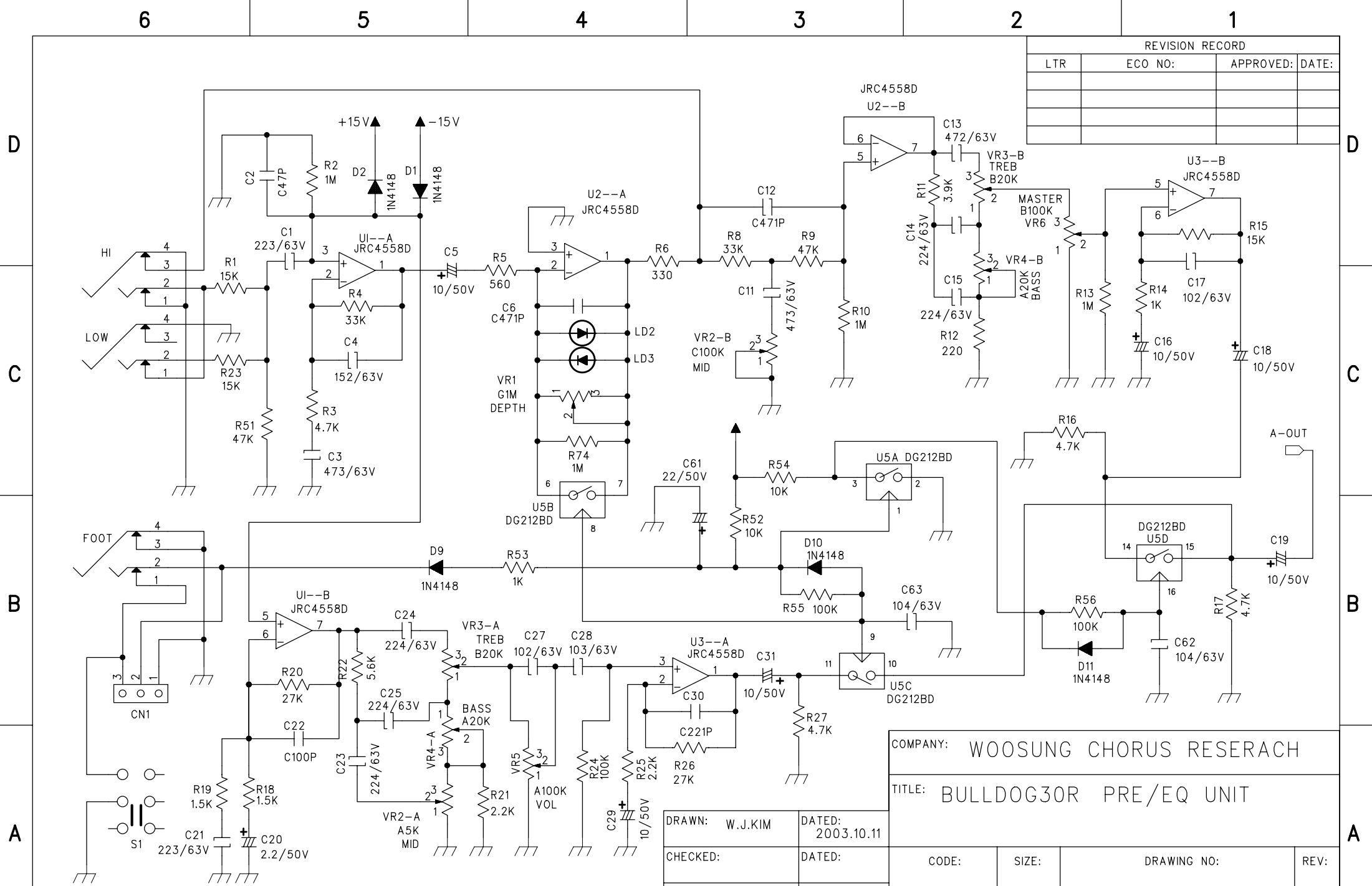


COMPANY: WOOSUNG CHORUSRESERACH

TITLE: BULLDOG30R REVERB IN/OUT

DRAWN: W.J.KIM	DATED: 2003.10.11
CHECKED:	DATED:
QUALITY CONTROL:	DATED:
RELEASED:	DATED:

CODE:	SIZE:	DRAWING NO:	REV: 1
-------	-------	-------------	-----------



REVISION RECORD			
LTR	ECO NO:	APPROVED:	DATE:

COMPANY: WOOSUNG CHORUS RESERACH

TITLE: BULLDOG30R PRE/EQ UNIT

DRAWN: W.J.KIM	DATED: 2003.10.11
CHECKED:	DATED:
QUALITY CONTROL:	DATED:
RELEASED:	DATED:

CODE:	SIZE:	DRAWING NO:	REV:
			1
SCALE:			SHEET: 4 OF 4

6

5

4

3

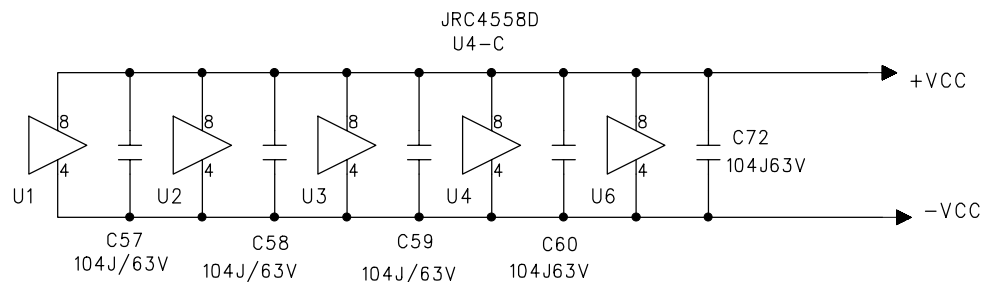
2

1

REVISION RECORD			
LTR	ECO NO:	APPROVED:	DATE:

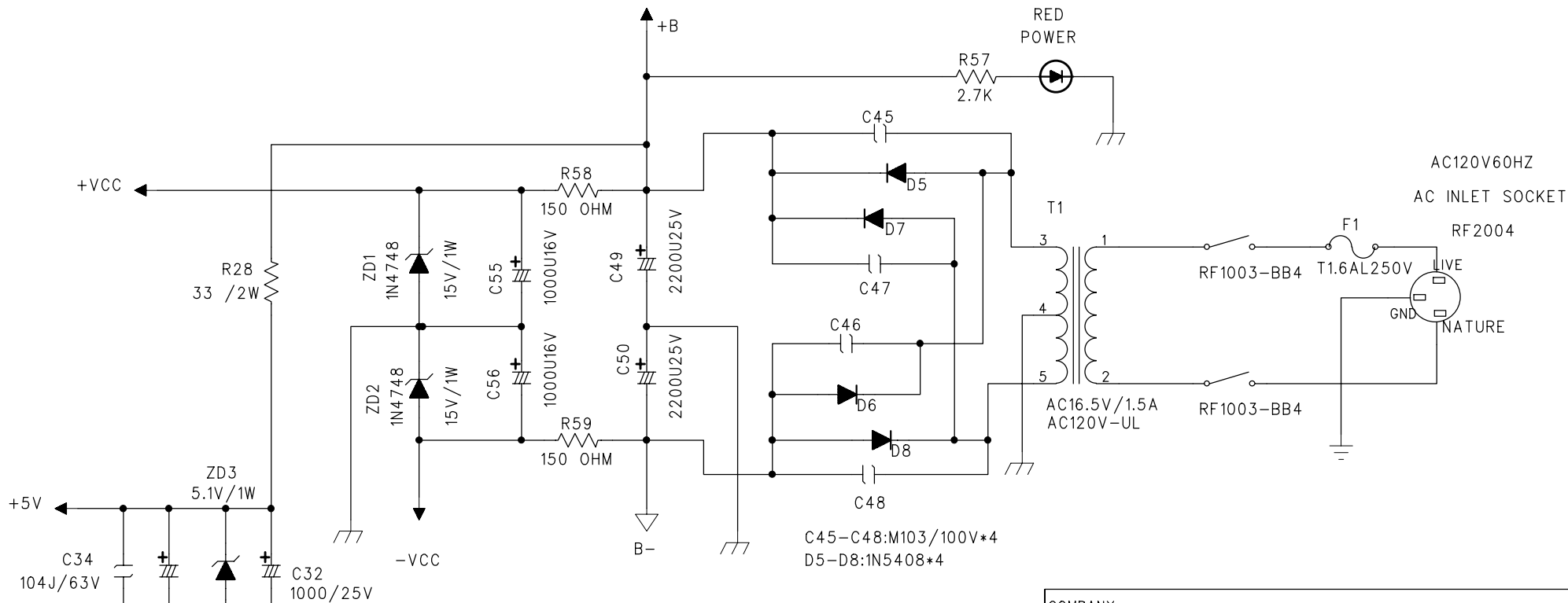
D

D



C

C



B

B

A

A

COMPANY: WOOSUNG CHORUS RESERACH

TITLE: BULLDOG30R AC POWER UNIT

DRAWN: W.J.KIM	DATED: 2003.10.11
CHECKED:	DATED:
QUALITY CONTROL:	DATED:
RELEASED:	DATED:

CODE:	SIZE:	DRAWING NO:	REV: 1
-------	-------	-------------	--------