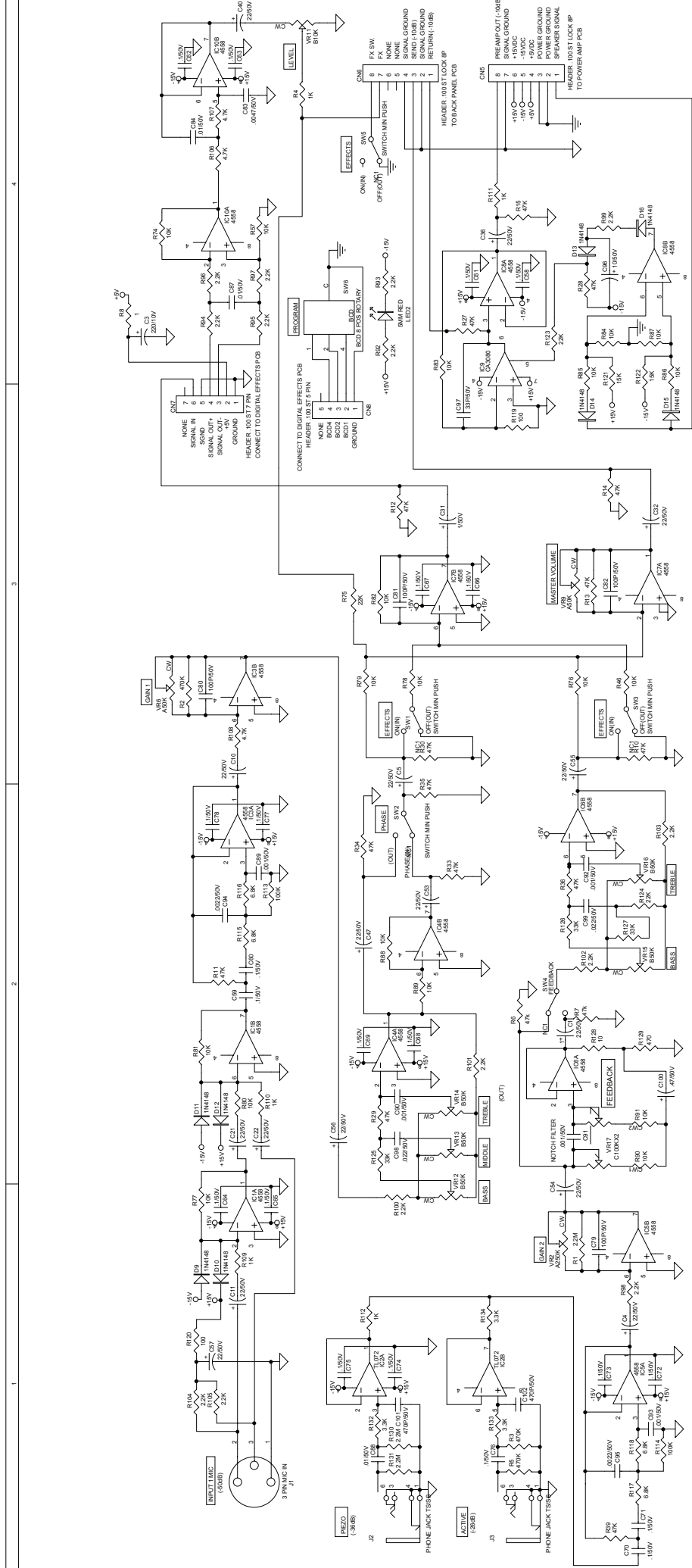


**30-Aug-2001**  
**Kustom Music**

---

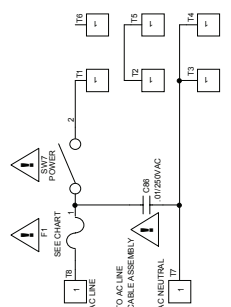
# **K2000 Series Schematics**

**65 Watt Models**  
**Revised August of 2001**

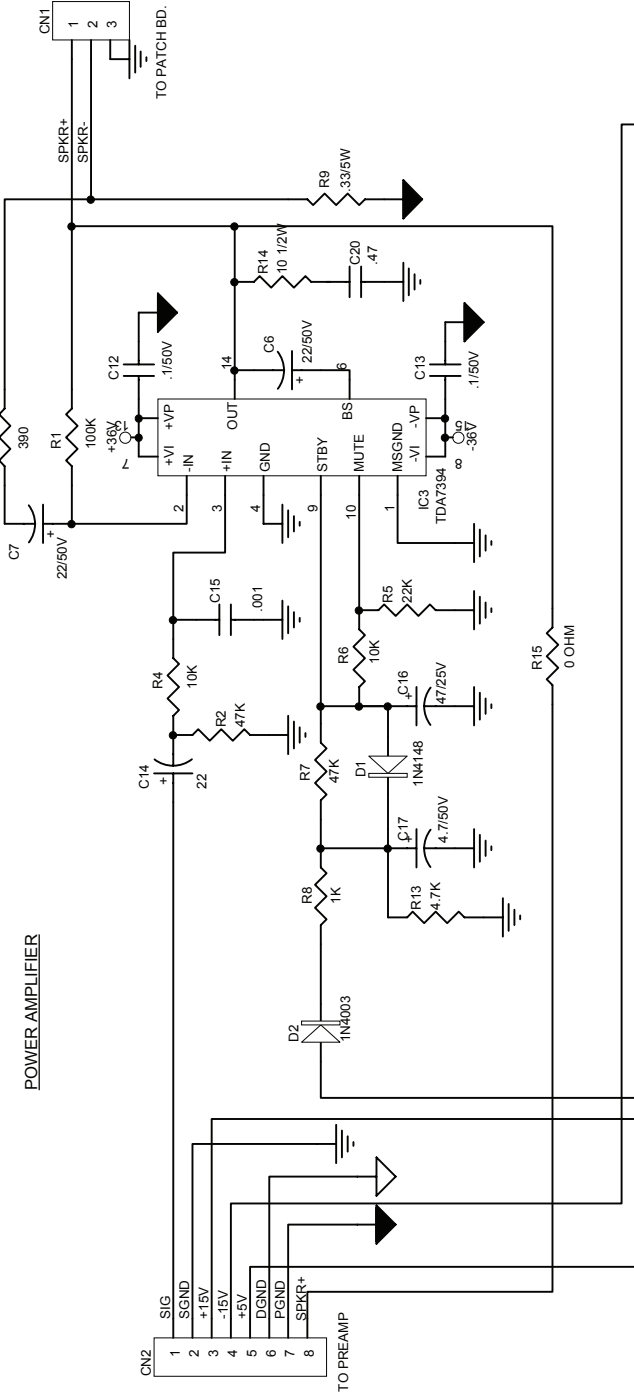


REPLACES CRITICAL COMPONENTS  
 REPLACE ONLY WITH IDENTICAL  
 CUSTOM PART

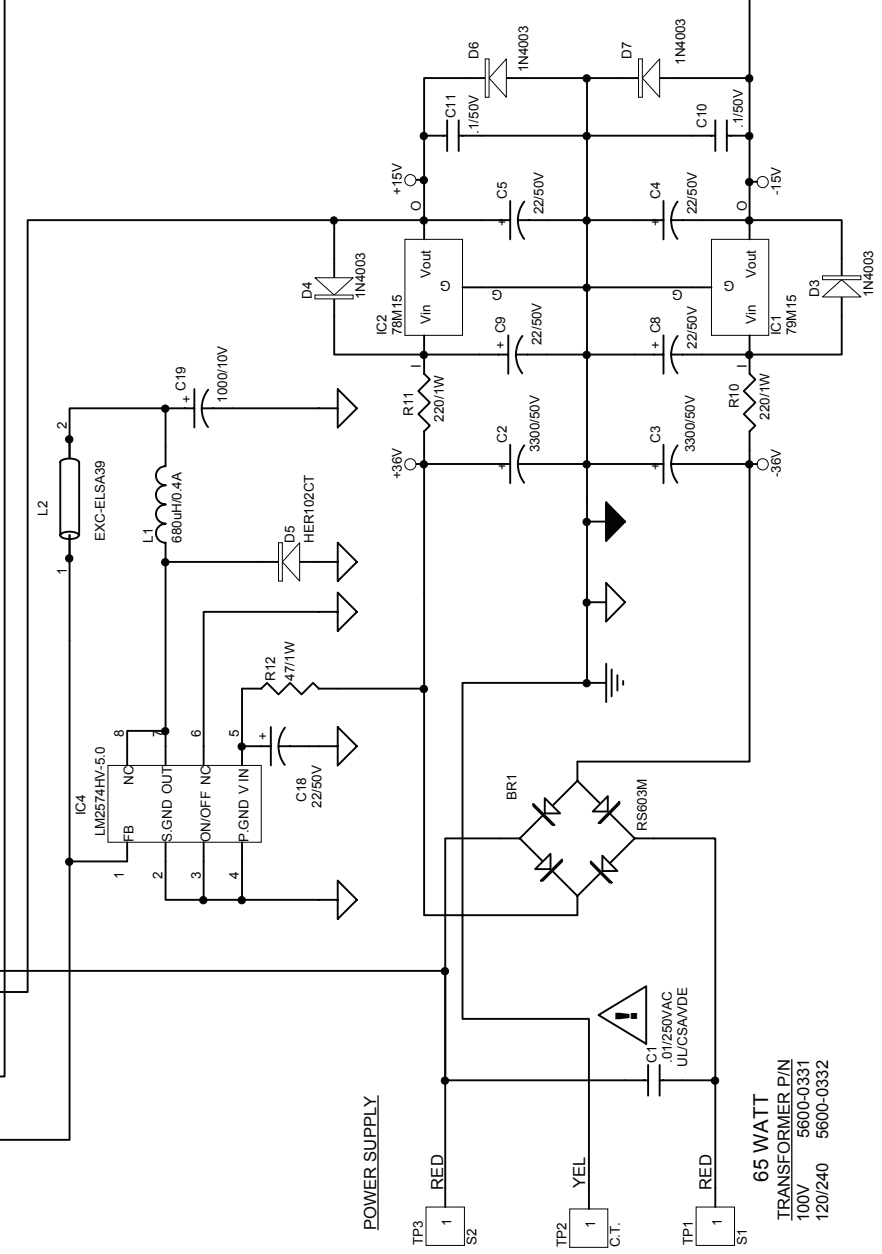
PRIMARY TRANSFORMER	T1	T2	T3	T4	T5	T6	T7	T8	T9
100V	FA02050	FA02050	FA02050	FA02050	FA02050	FA02050	FA02050	FA02050	FA02050
120V	FA02031	FA02031	FA02031	FA02031	FA02031	FA02031	FA02031	FA02031	FA02031
120V	FA02032	FA02032	FA02032	FA02032	FA02032	FA02032	FA02032	FA02032	FA02032
240V	FA02033	FA02033	FA02033	FA02033	FA02033	FA02033	FA02033	FA02033	FA02033



POWER AMPLIFIER



POWER SUPPLY



65 WATT  
TRANSFORMER P/N  
100V 5600-0331  
120/240 5600-0332

KAA65 POWER AMP

PCB P/N 1700-0600

Revision

Sheet of

Drawn By:

Size

Number

Date:

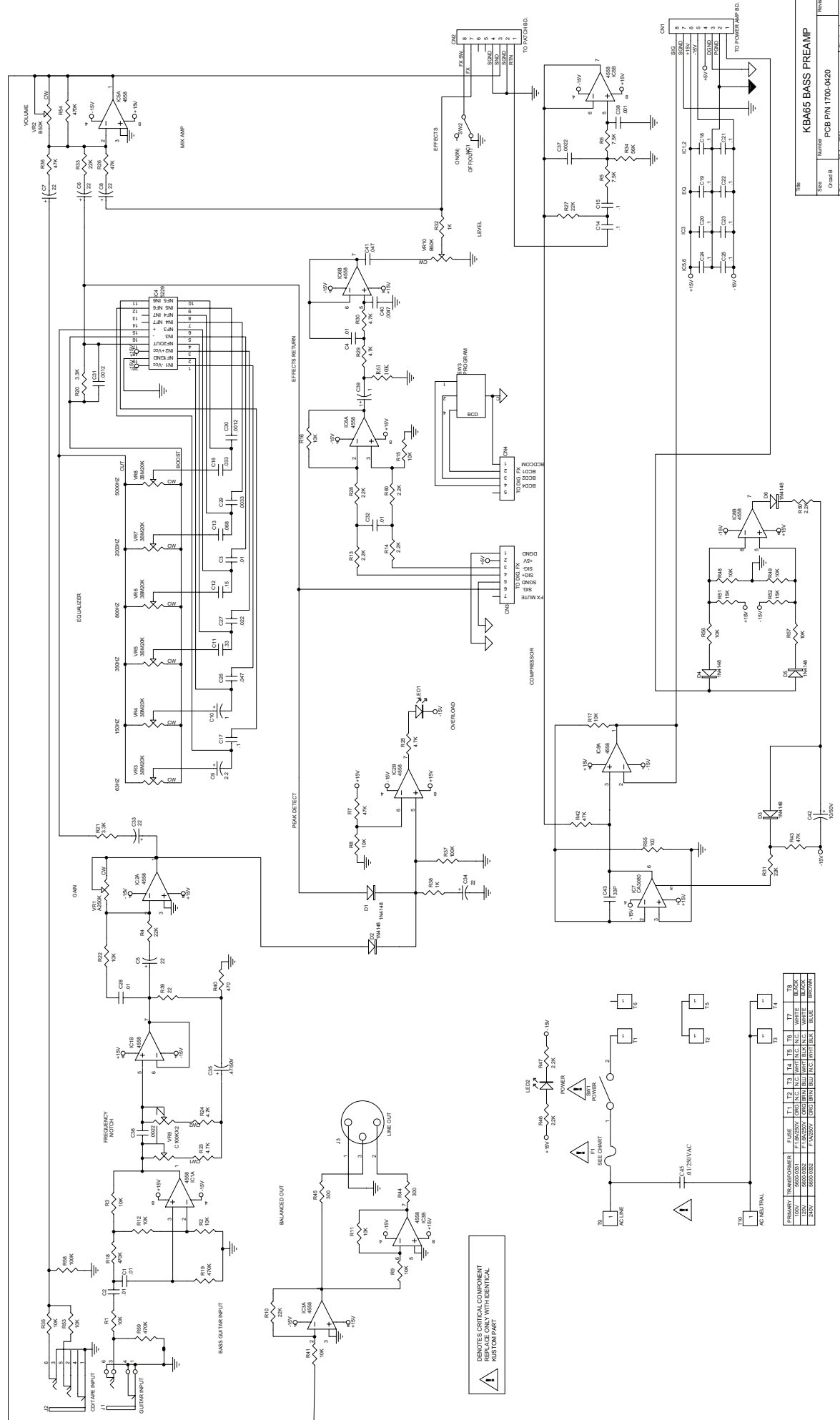
File:

30-Aug-2001

F:\K2000\KAA65 POWER AMP 29MAR01.Sch

4

4



**KBA65 BASS PREAMP**  
 PCB PIN 1700-0420

Rev. 1.0  
 Date: 01/15/00

Author: [Name]  
 Designer: [Name]

Checker: [Name]  
 Date: 01/15/00

Part: [Name]  
 Rev: 1.0

Sheet: 1 of 1

File: [Name]

Project: [Name]

Company: [Name]

Address: [Name]

City: [Name]

State: [Name]

Country: [Name]

Phone: [Name]

Fax: [Name]

E-mail: [Name]

Web: [Name]

URL: [Name]

Notes: [Name]

Comments: [Name]

Revisions: [Name]

Changes: [Name]

Issues: [Name]

Warnings: [Name]

Errors: [Name]

Messages: [Name]

Alerts: [Name]

Notifications: [Name]

Events: [Name]

Tasks: [Name]

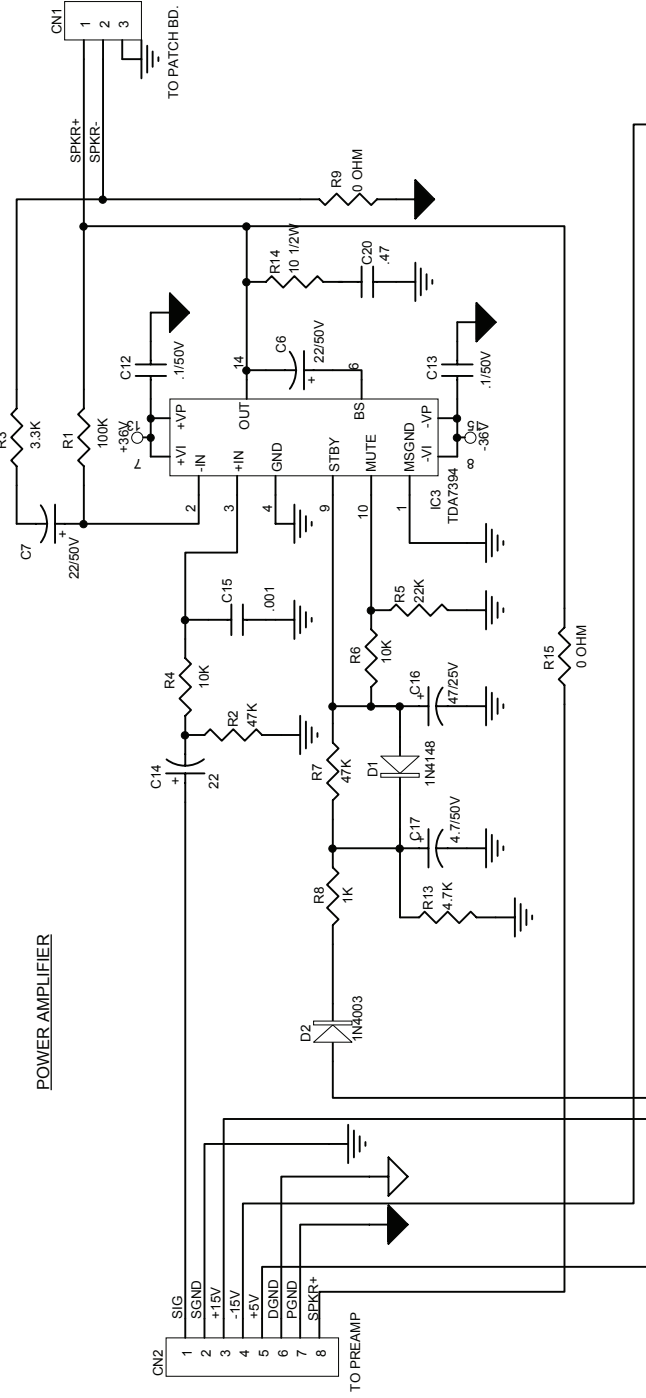
Projects: [Name]

Documents: [Name]

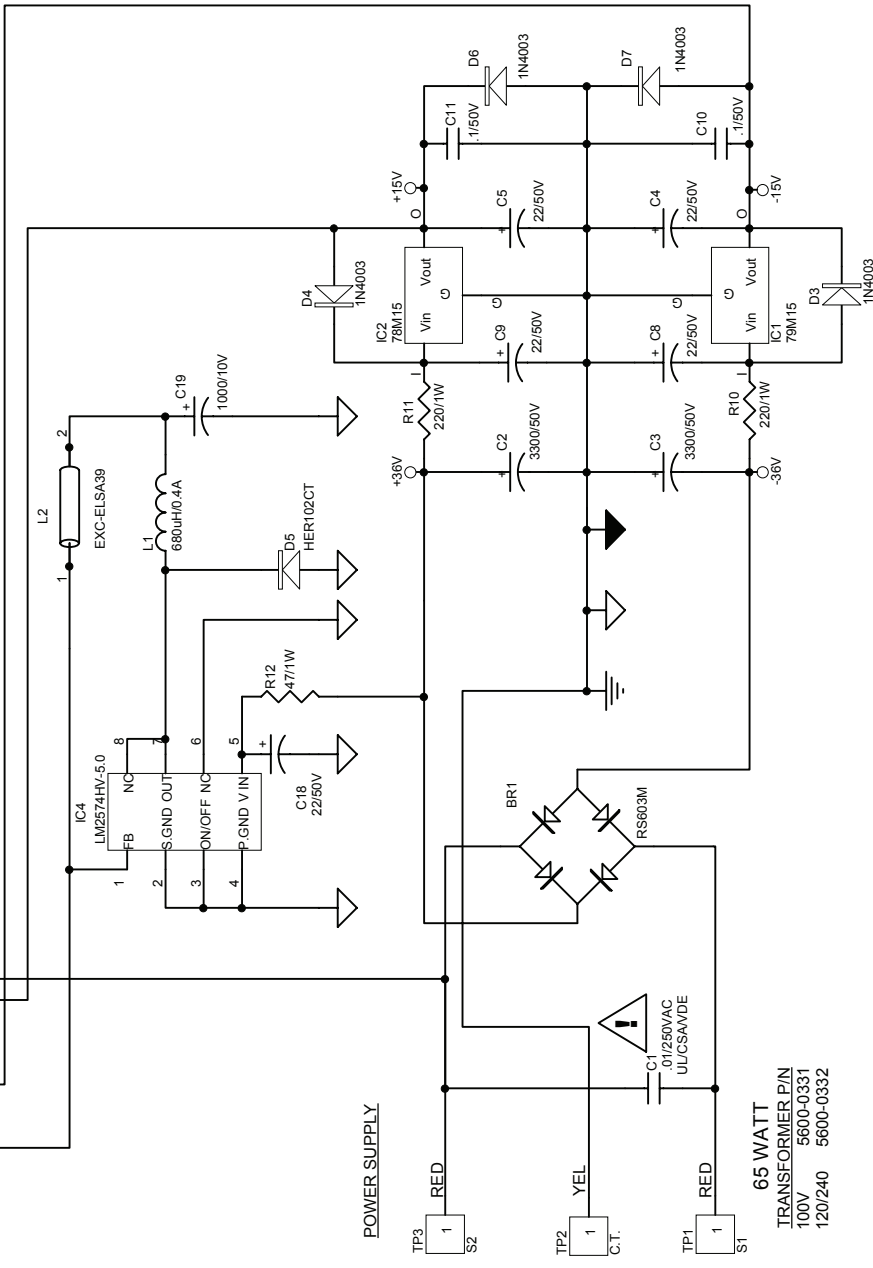
Files: [Name]

Directories: [Name]

POWER AMPLIFIER



POWER SUPPLY



65 WATT  
TRANSFORMER P/N  
100V 5600-0331  
120/240 5600-0332

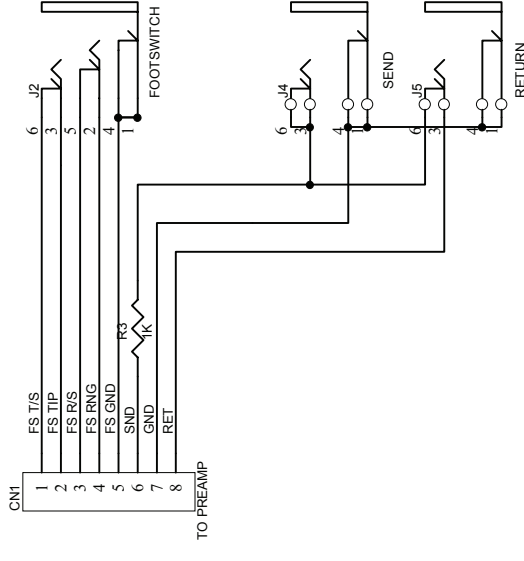
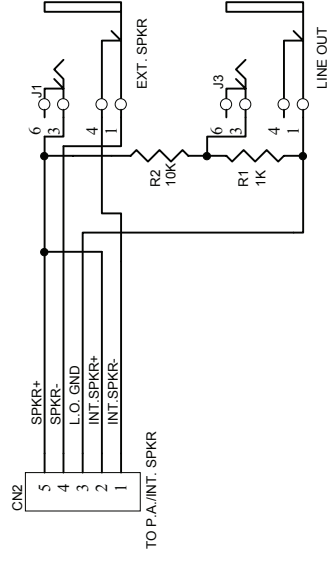
Title  
KBA65 POWER AMP

Size  
Letter  
Number  
PCB P/N 1700-0600

Date: 30-Aug-2001  
File: F:\K2000\KBA65 POWER AMP 30MAR01.Sch

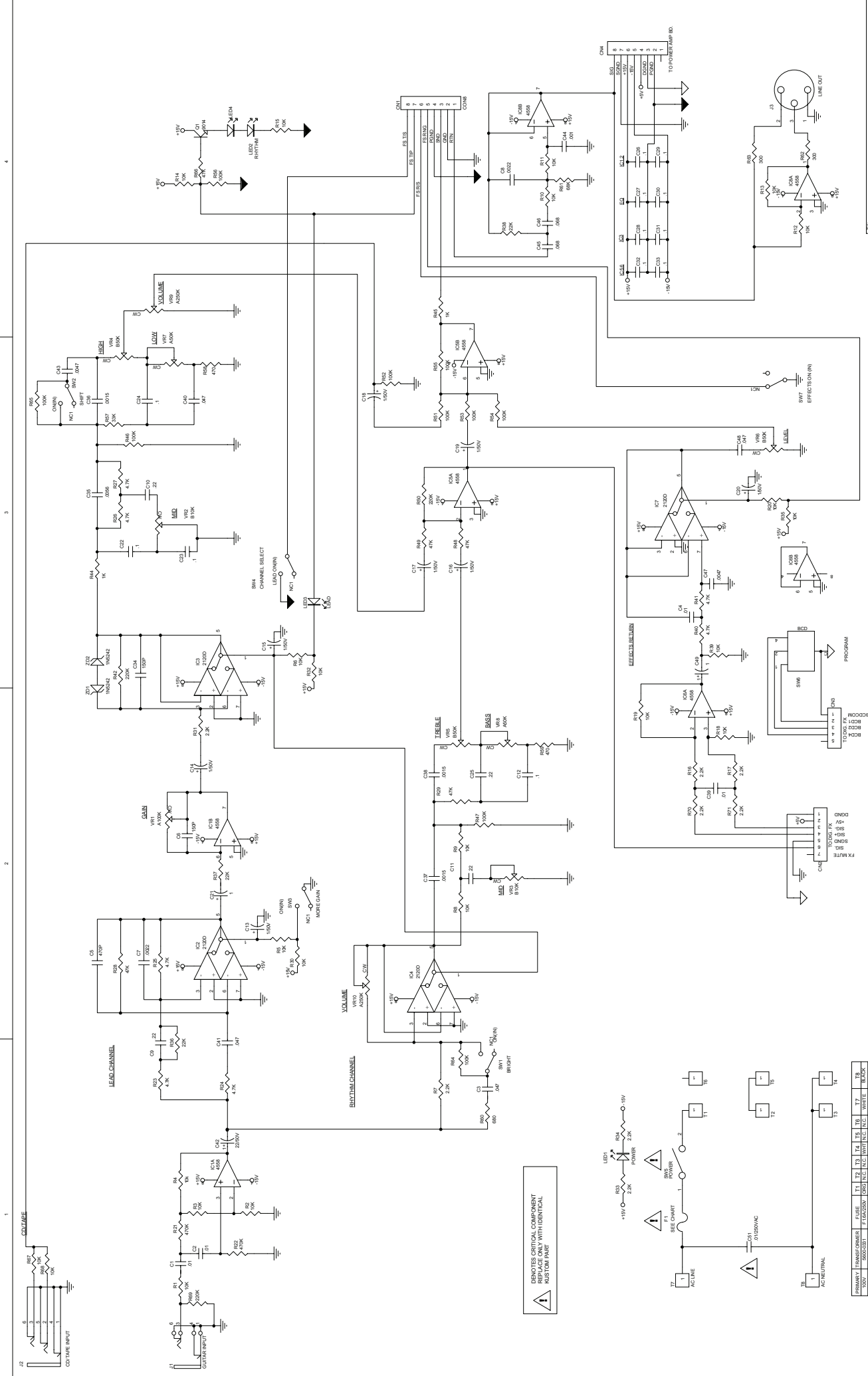
Revision

Sheet of  
Drawn By:

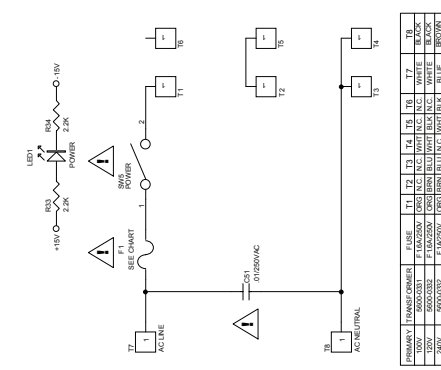


PATCH BD.

Title		KBA65 BACK PANEL	
Size	Number	Revision	
Letter	PCB P/N 1700-0400		
Date:	30-Aug-2001	Sheet	of
File:	F:\K2000\KBA65 BACK PANEL JACK.DWG	001	001

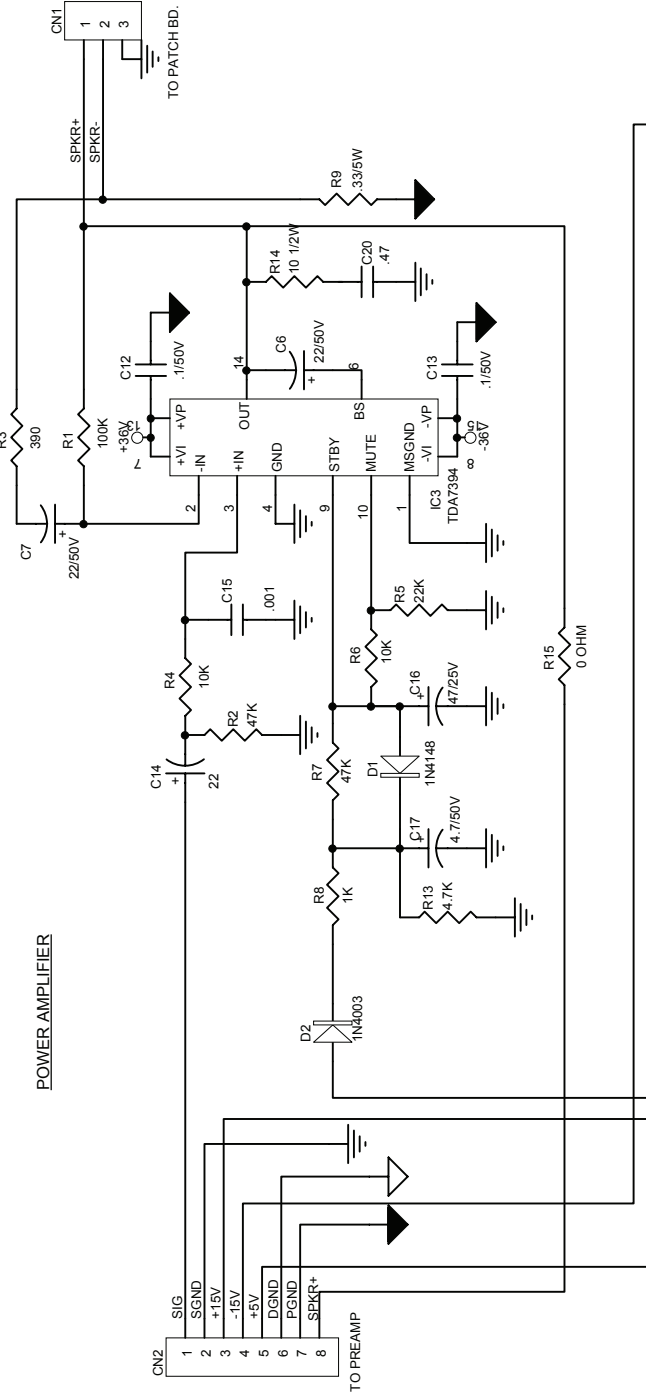


NOTES: CRITICAL COMPONENT INSTANT PART

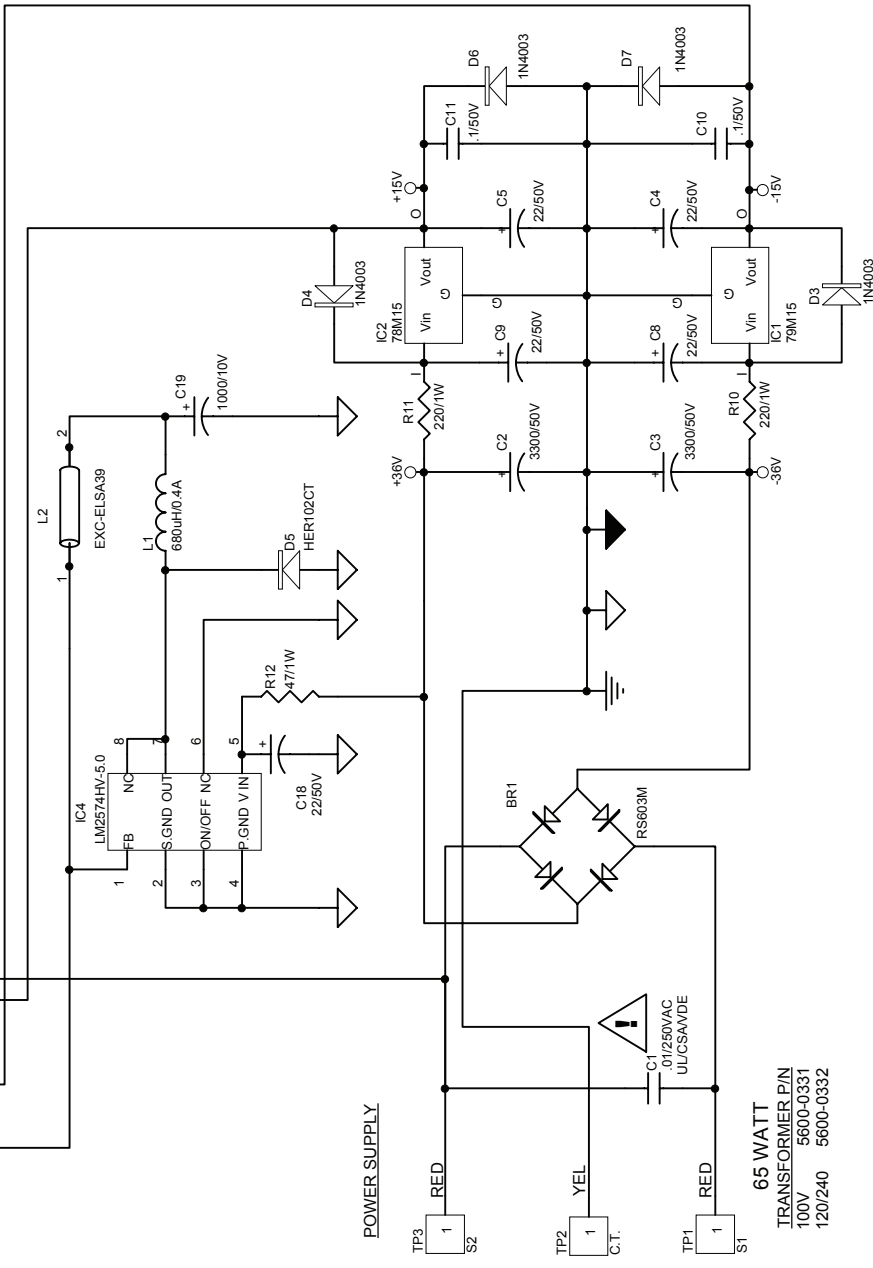


PRIMARY	TRANSFORMER	1	2	3	4	5	6	7	8	9	10	11	12	13	14	15	16	17	18
150V	150V	150V	150V	150V	150V	150V	150V	150V	150V	150V	150V	150V	150V	150V	150V	150V	150V	150V	150V
250V	250V	250V	250V	250V	250V	250V	250V	250V	250V	250V	250V	250V	250V	250V	250V	250V	250V	250V	250V
300V	300V	300V	300V	300V	300V	300V	300V	300V	300V	300V	300V	300V	300V	300V	300V	300V	300V	300V	300V

POWER AMPLIFIER



POWER SUPPLY



65 WATT  
 TRANSFORMER P/N  
 100V 5600-0331  
 120/240 5600-0332

Title  
 KGA65 POWER AMP

Size  
 Letter  
 Number  
 PCB P/N 1700-0600

Date:  
 File:  
 30-Aug-2001  
 F:\K2000\KGA65 POWER AMP 29MAR01.Sch

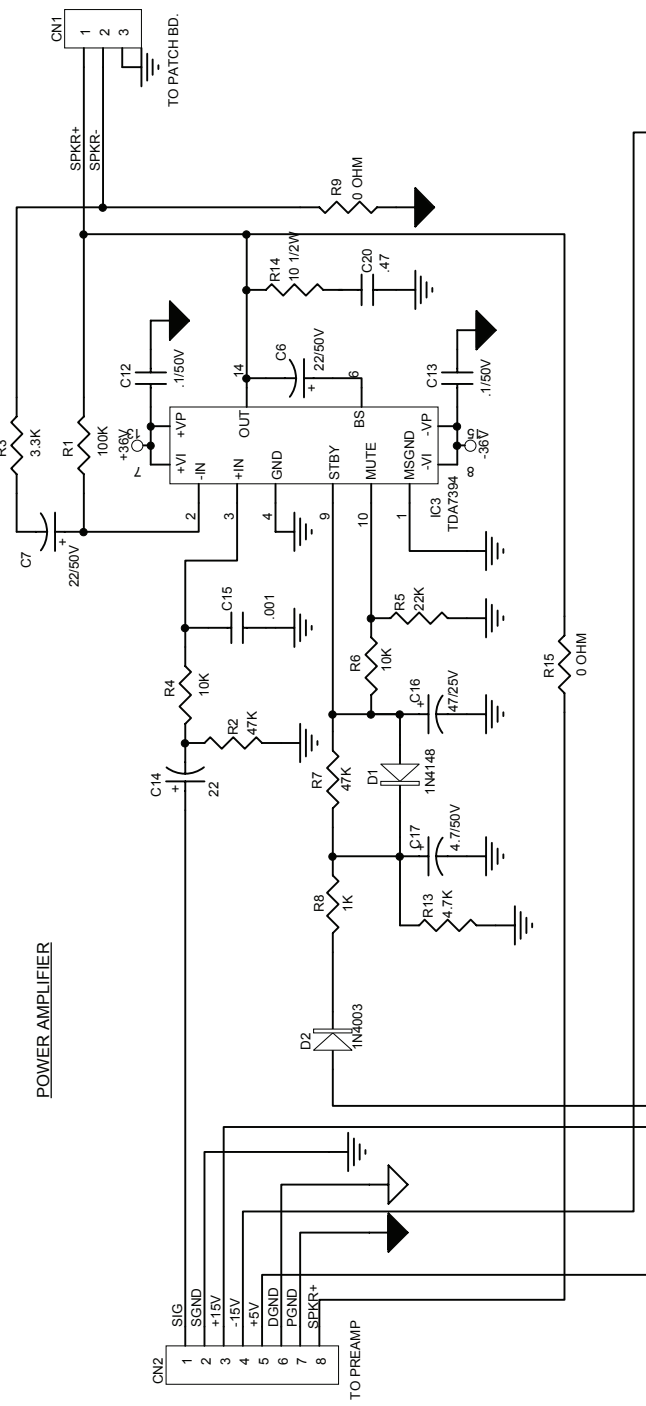
Revision

Sheet of  
 Drawn By:

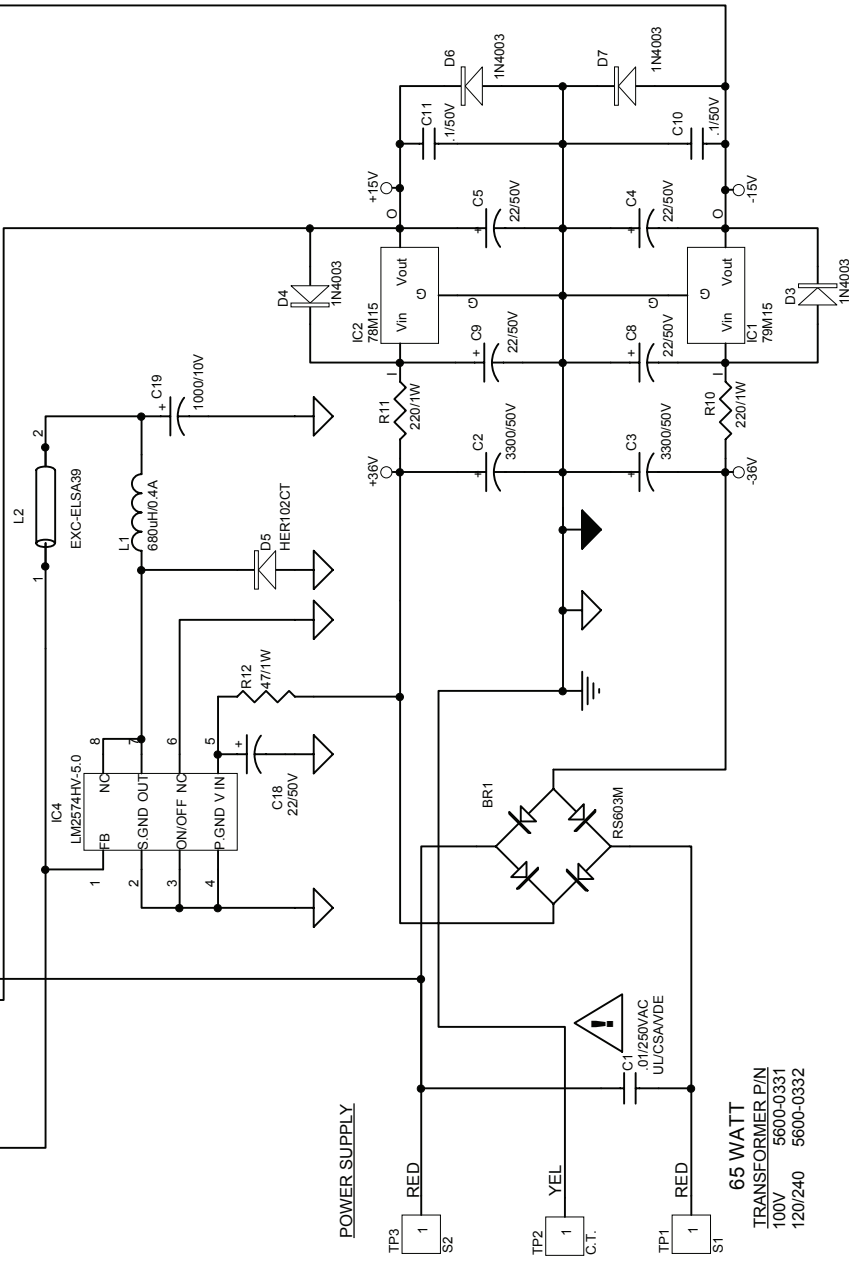




POWER AMPLIFIER

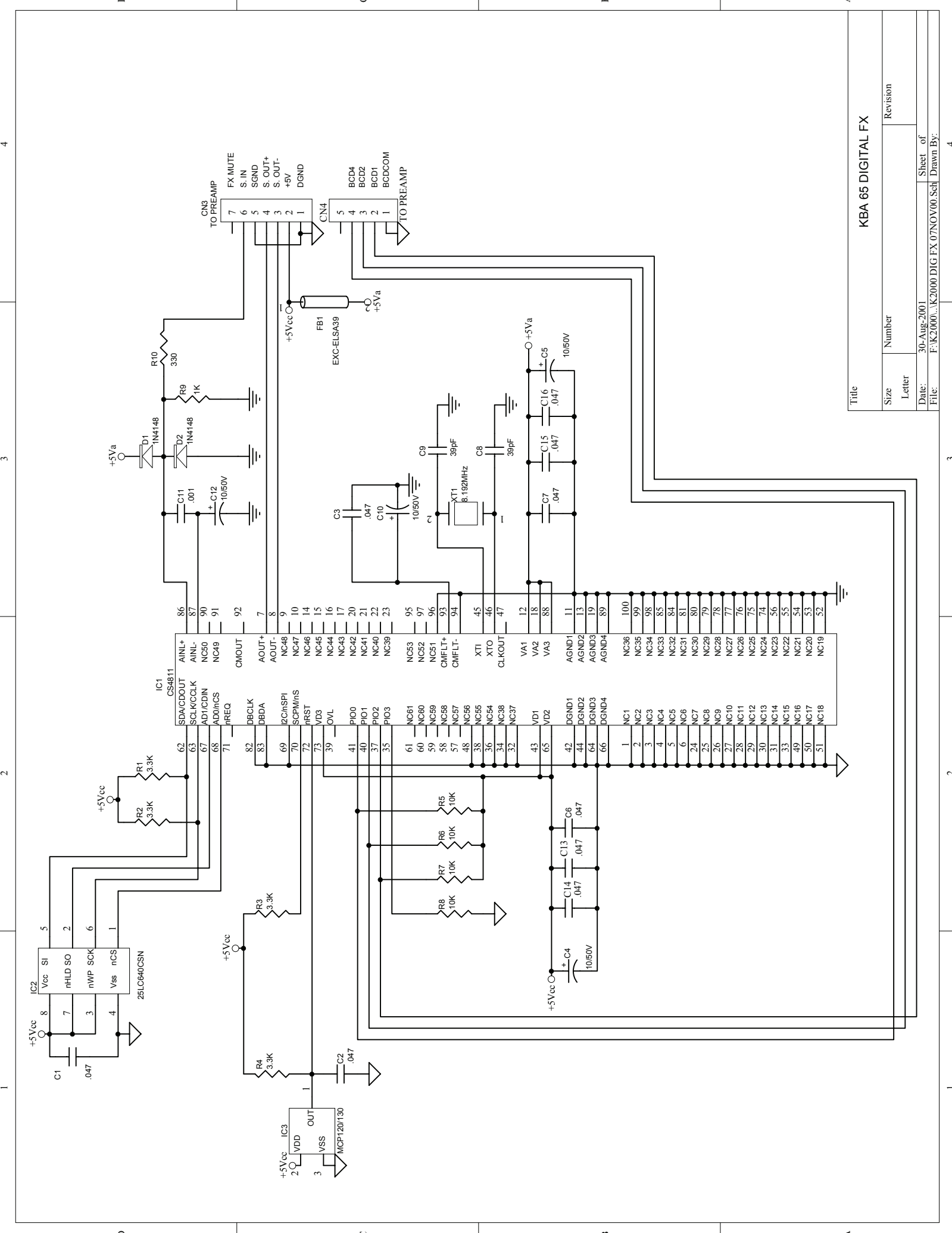


POWER SUPPLY



65 WATT  
TRANSFORMER P/N  
100V 5600-0-331  
120/240 5600-0-332

Title		KMA65 POWER AMP	
Size	Number	Revision	
Letter		PCB P/N 1700-0600	
Date:	30-Aug-2001	Sheet of	
File:	F:\K2000\KMA65 POWER AMP 30MAR01.Sch	Drawn By:	



Title		KBA 65 DIGITAL FX	
Size	Number	Revision	
Letter			
Date:	30-Aug-2001		Sheet of
File:	F:\K2000\K2000 DIG FX 07NOV00.Sch		Drawn By:

4  
3  
2  
1

4  
3  
2  
1

D C B A