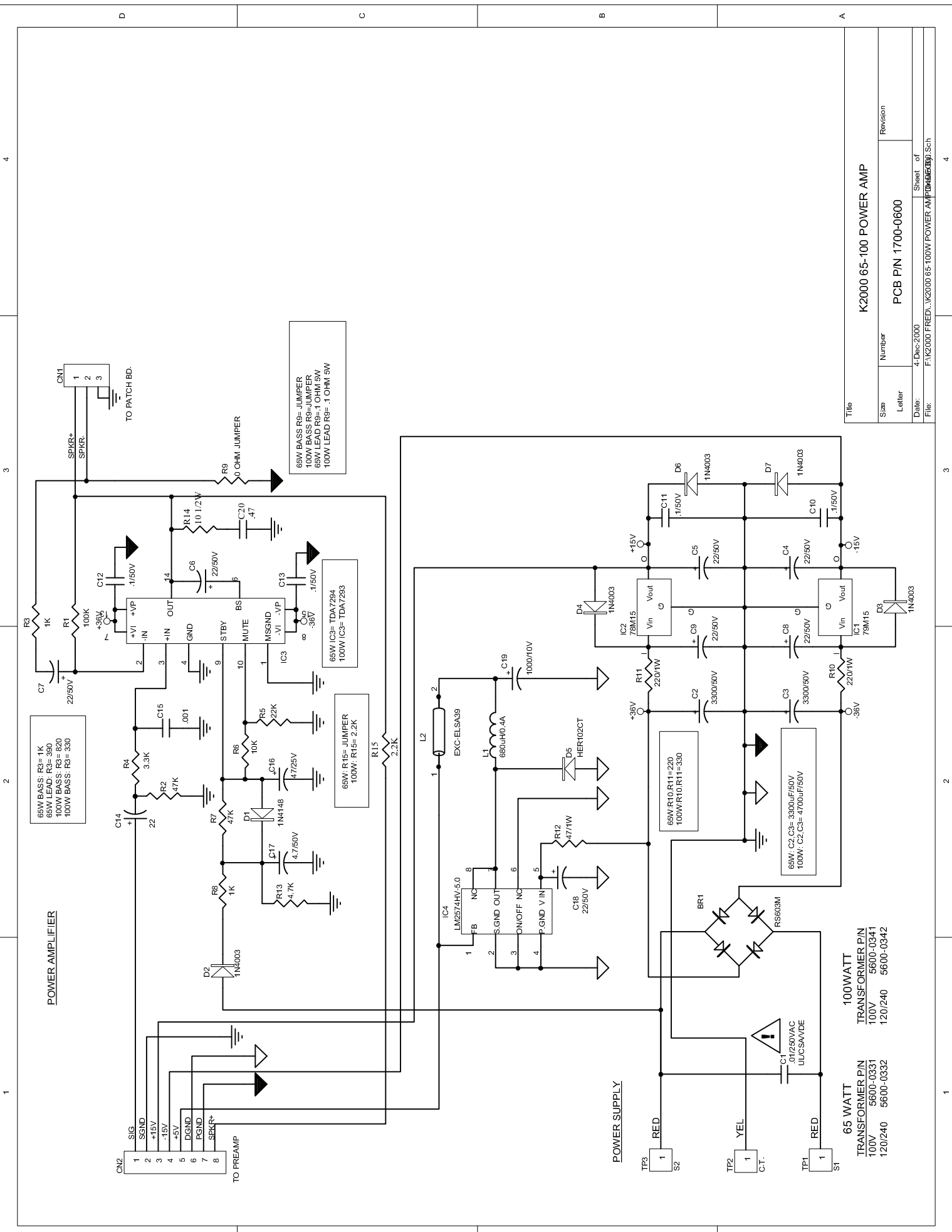


30-Aug-2000
Kustom Music

K2000 Series Schematics

65 Watt Models
Revised August of 2000



65W BASS: R3= 1K
 65W LEAD: R3= 390
 100W BASS: R3= 820
 100W BASS: R3= 330

65W IC3= TDA7294
 100W IC3= TDA7293

65W: R15= JUMPER
 100W: R15= 2.2K

65W: R10,R11=220
 100W: R10,R11=330

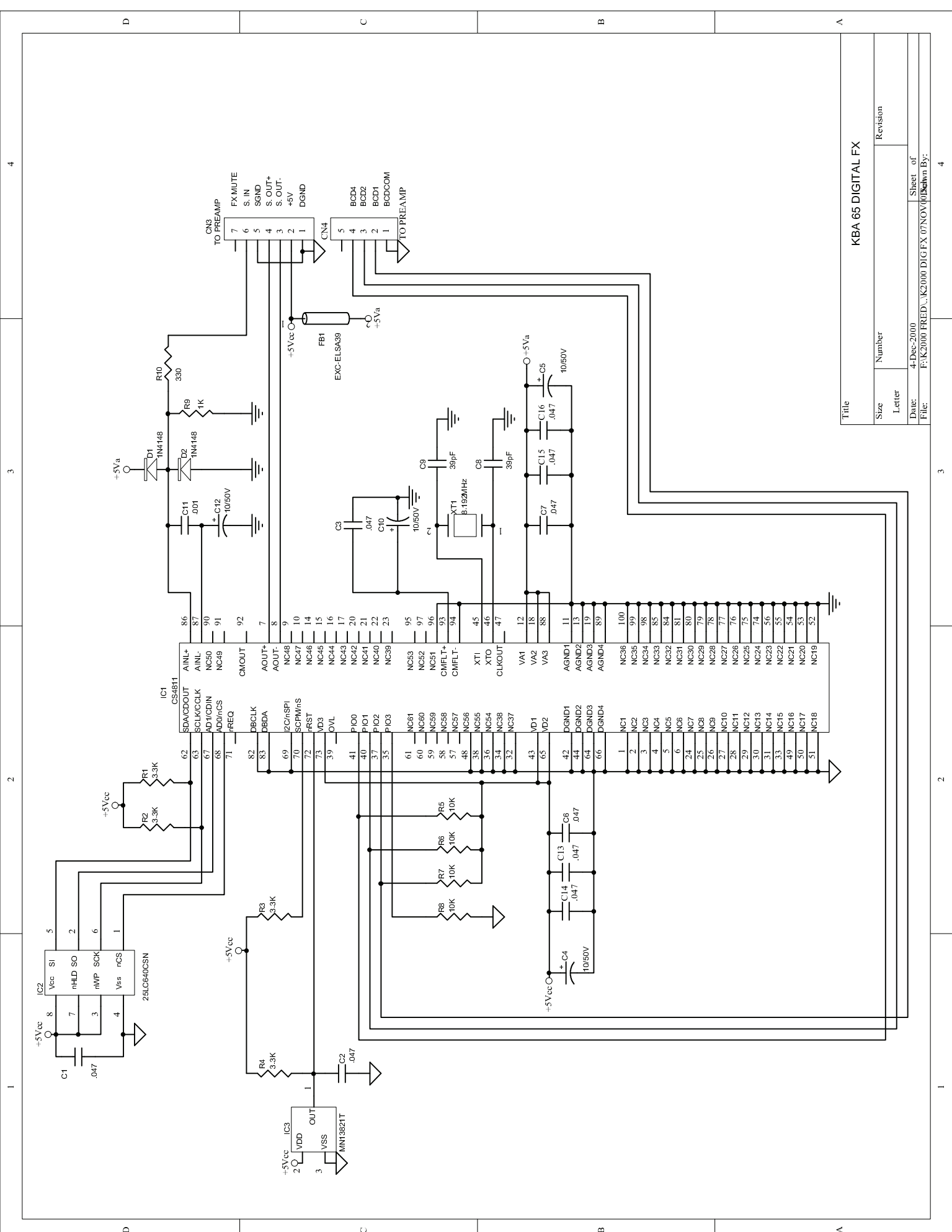
65W: C2,C3= 3300uF/50V
 100W: C2,C3= 4700uF/50V

65W BASS R9= JUMPER
 100W BASS R9= JUMPER
 65W LEAD R9= 1 OHM 1/5W
 100W LEAD R9= 1 OHM 1/5W

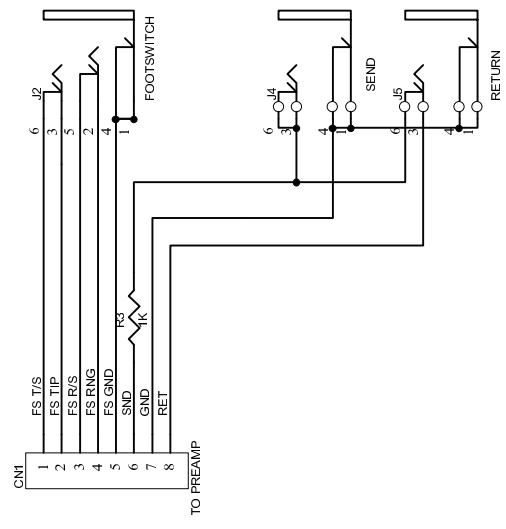
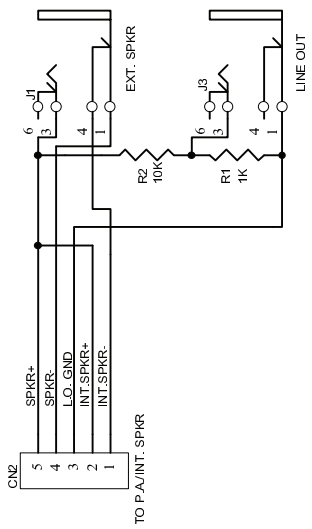
65 WATT
 TRANSFORMER PIN
 100V 5600-0331
 120/240 5600-0332

100WATT
 TRANSFORMER PIN
 100V 5600-0341
 120/240 5600-0342

Title		K2000 65-100 POWER AMP	
Size	Number	Letter	Revision
			PCB PIN 1700-0600
Date:	4 Dec-2000		Sheet of
File:	F:\K2000\FRED...K2000 65-100W POWER AMP\FredK2000.Sch		



Title		KBA 65 DIGITAL FX	
Size	Number	Revision	
Letter			
Date:	4 Dec-2000	Sheet of	4
File:	F:\K2000\FRED\...K2000 DIG.FX (7)NOV00	Drawn By:	



PATCH BD.

Title		KBA65 BACK PANEL	
Size	Number	Revision	
Letter	PCB P/N 1700-0400		
Date:	4 Dec-2000	Sheet of	4
File:	F:\K2000\FRED\...KBA65 BACK PANEL	Author	Y00.Sch