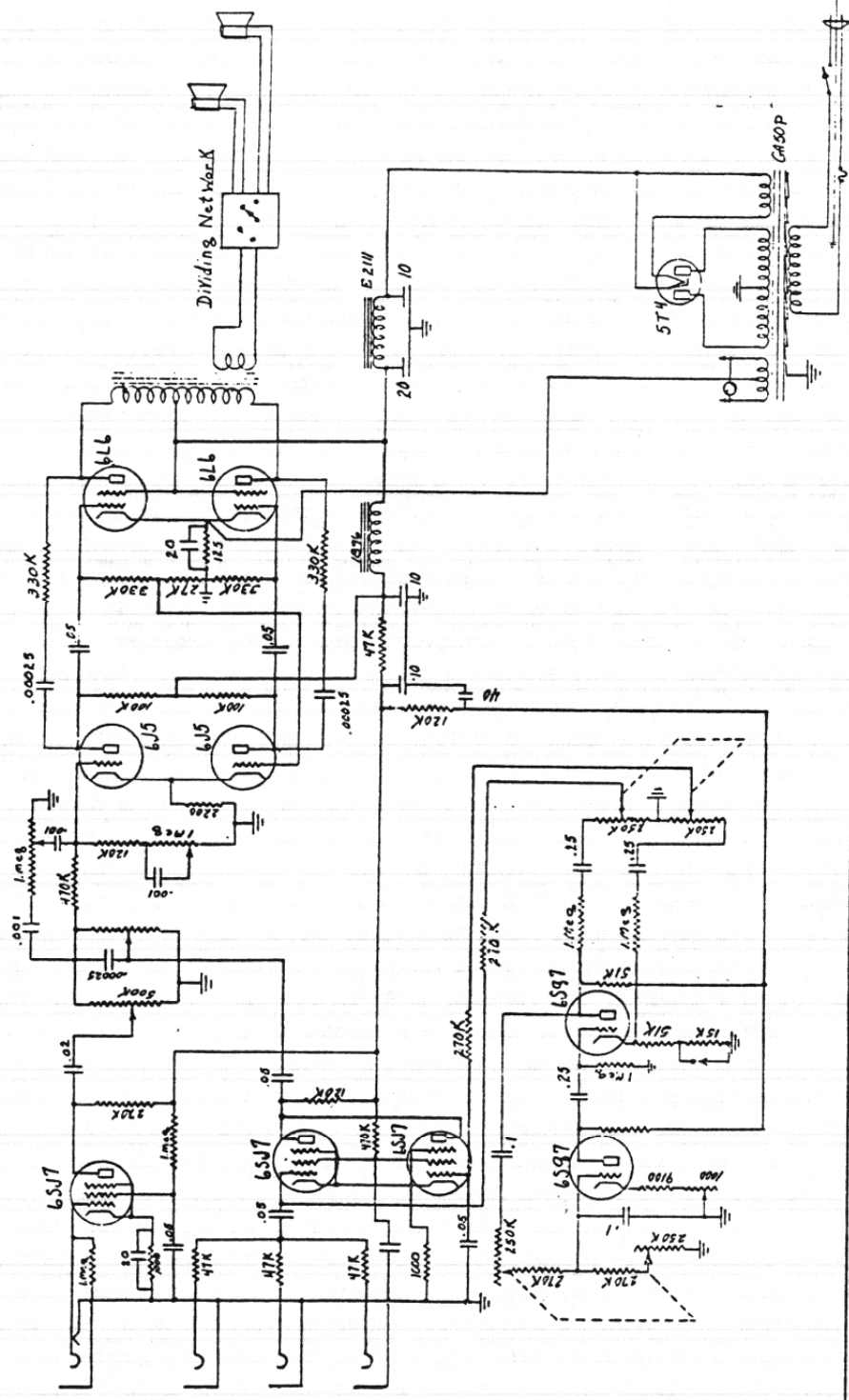


GA - CUSTOM



616	6J5	6S97	6S97	6S97	6S97
979	6L6	6L6	6L6	6L6	6L6
5T4					