

Notes:

- PCBs: Preamp JMS0E
- Rear sockets JMS1C
- All ICs MC1458
- * on pats indicates clockwise
- A-G refer to rivets on PCB

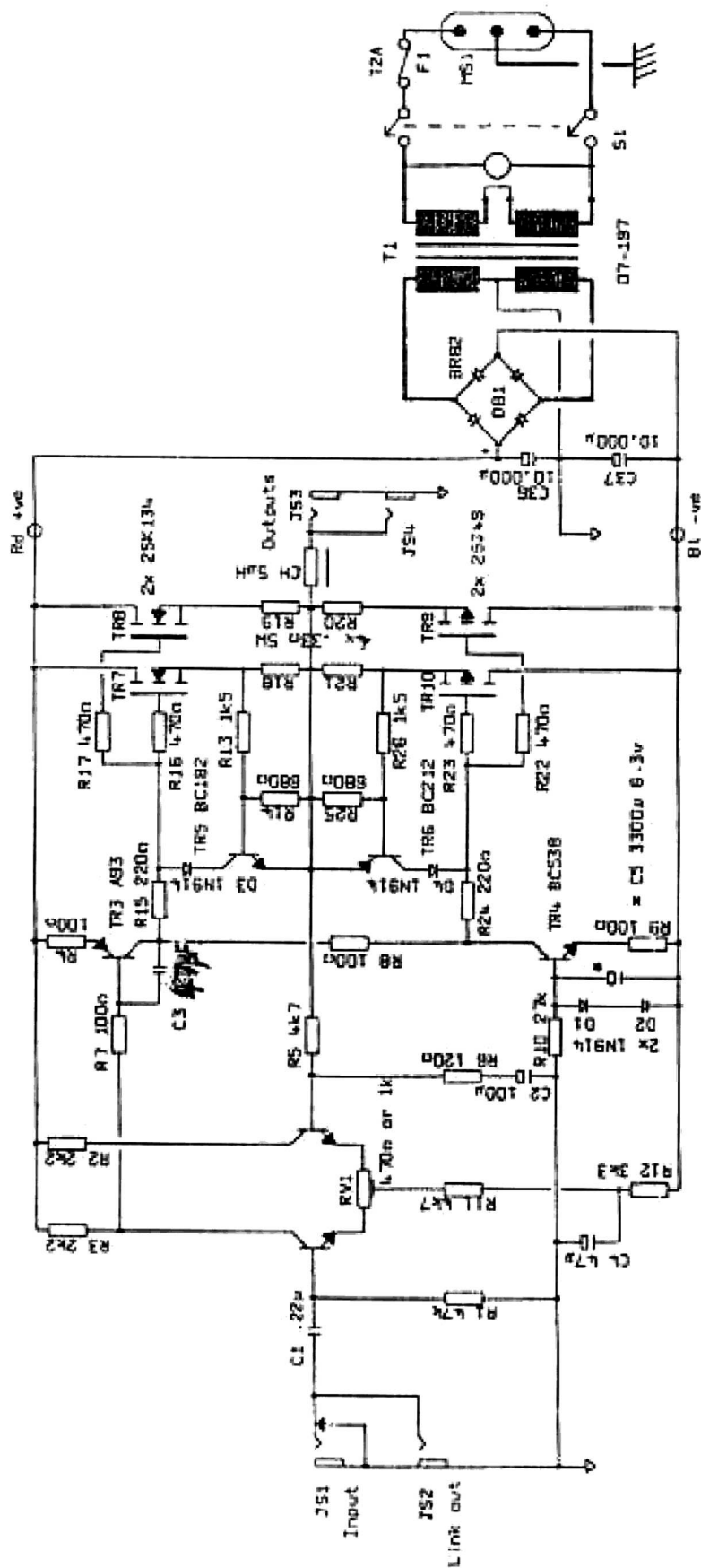
4	16-5-88	CPV
3	4-6-86	R.S.
2	10-5-85	
ISS. DATE		DRN.
DRAWING NUMBER		

3520 STD
Preamp

MARSHALL
JIM MARSHALL
PRODUCTS LTD.
BLEICHLEY
MILTON KEYNES
ENGLAND
File: 3520PRE.06H



PCBN 061 (M) JMB2
 Power stage - JMB2



3	21-4-88	CFV
2	4-6-86	R.S.
1	21-6-83	S.G.
ISS. DATE		DRN.
DRAWING NUMBER		
3520 STD		
3522		
MARSHALL		
JIM MARSHALL PRODUCTS LTD. BLECKLEY MELTON KEYNES ENGLAND File: B20 ECH		

