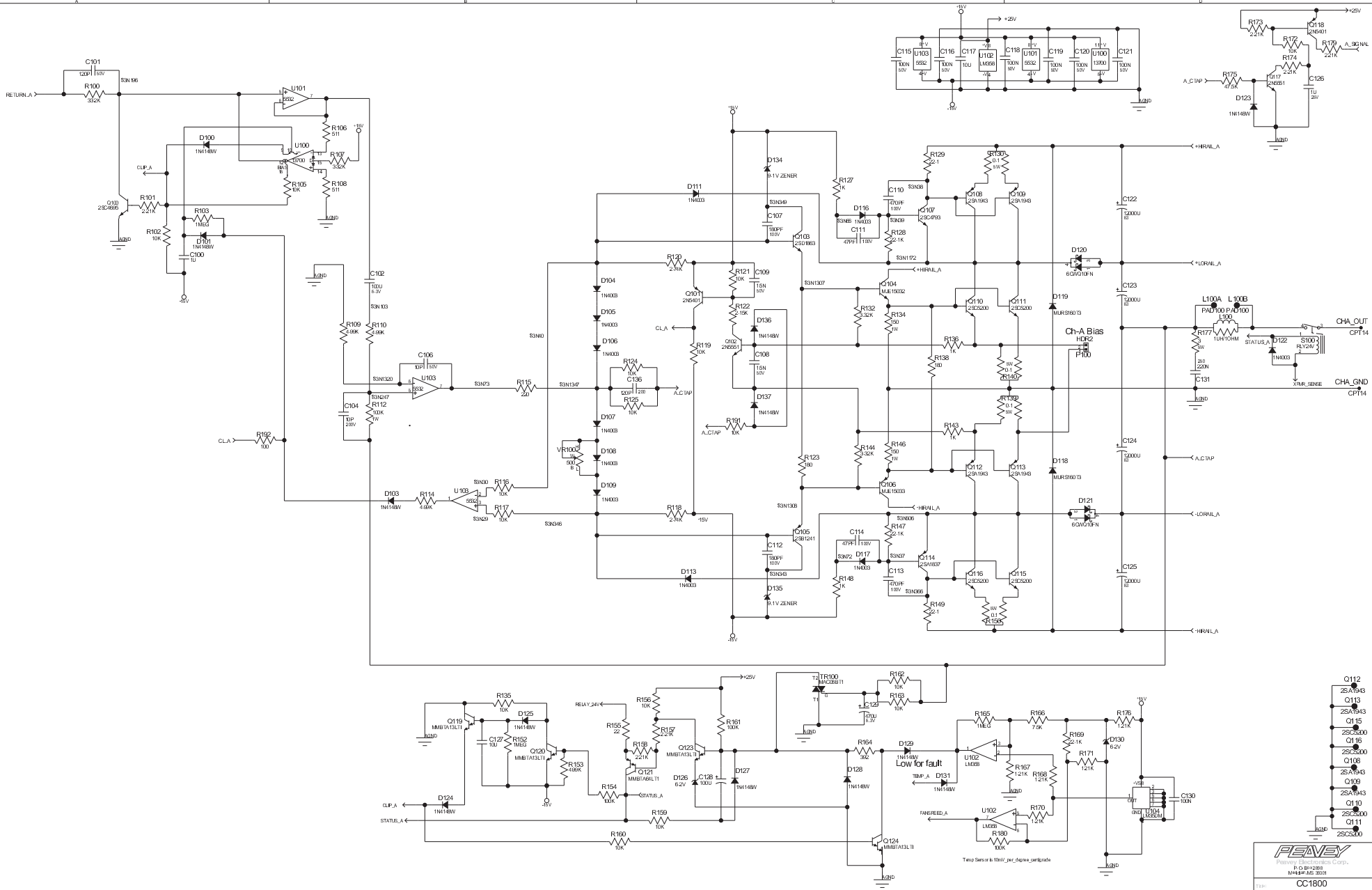
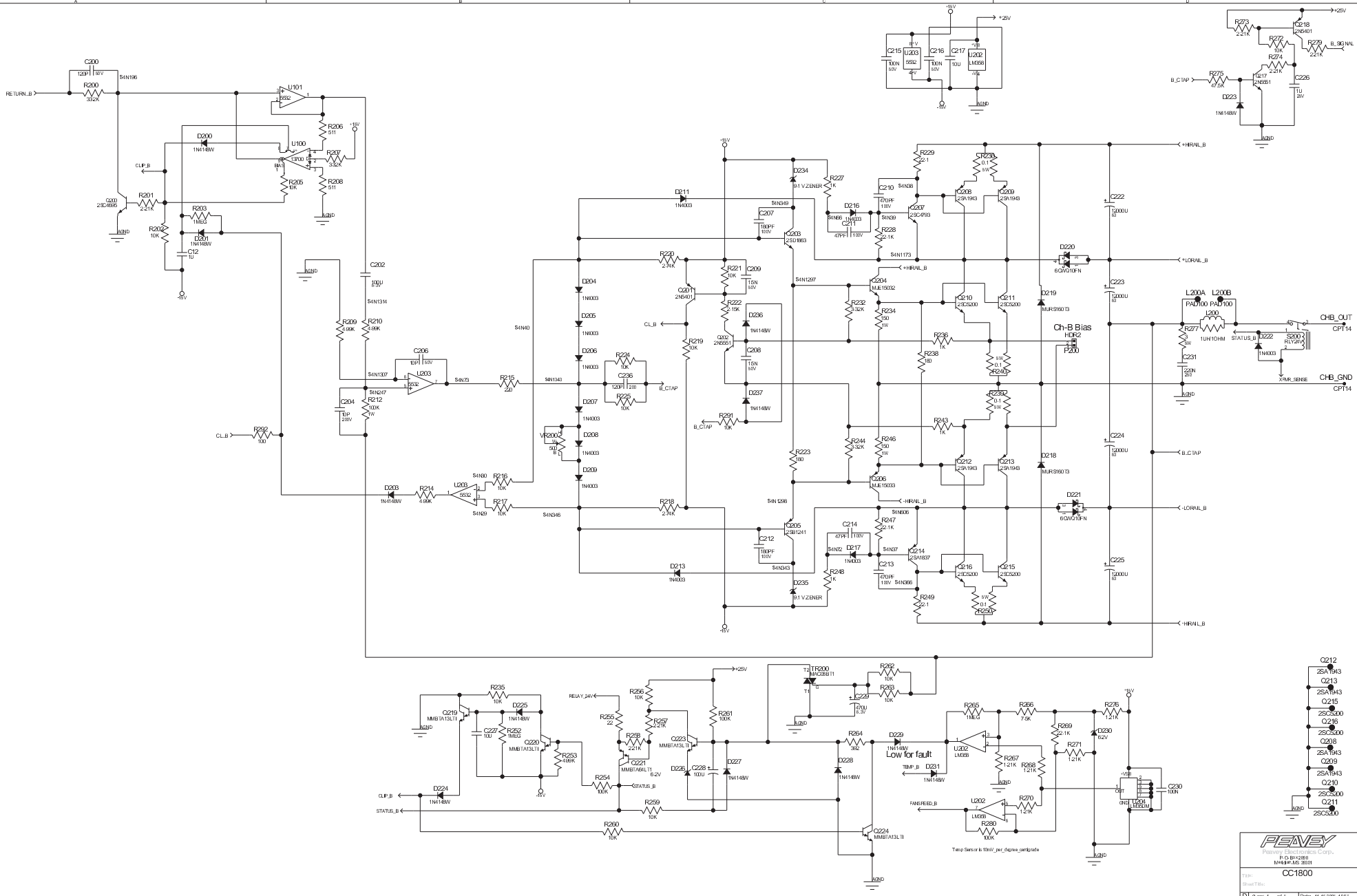


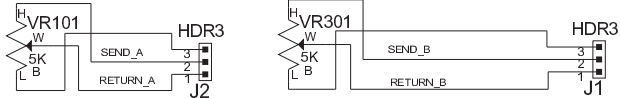
PAGE# 1 INTENTIONALLY LEFT BLANK



- Q112 2SA1943
- Q113 2SA1943
- Q115 2SC3200
- Q116 2SC3200
- Q119 2SA1943
- Q120 2SA1943
- Q121 2SC3200
- Q122 2SC3200

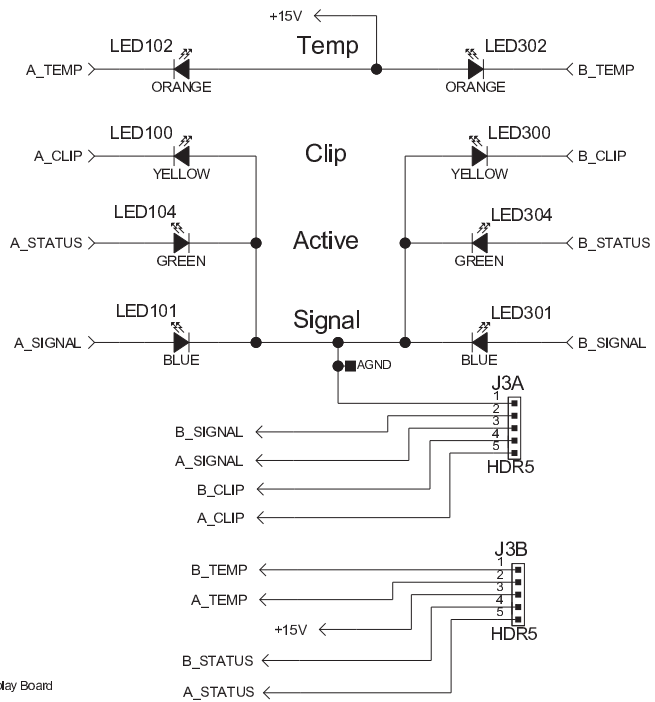


- Q212 2SA1943
- Q213 2SA1943
- Q214 2SA1943
- Q215 2SA1943
- Q216 2SA1943
- Q217 2SA1943
- Q218 2SA1943
- Q219 2SA1943
- Q220 2SA1943
- Q221 2SA1943
- Q222 2SA1943
- Q223 2SA1943
- Q224 2SA1943
- Q225 2SA1943
- Q226 2SA1943
- Q227 2SA1943
- Q228 2SA1943
- Q229 2SA1943
- Q230 2SA1943
- Q231 2SA1943
- Q232 2SA1943
- Q233 2SA1943
- Q234 2SA1943
- Q235 2SA1943
- Q236 2SA1943
- Q237 2SA1943
- Q238 2SA1943
- Q239 2SA1943
- Q240 2SA1943
- Q241 2SA1943
- Q242 2SA1943
- Q243 2SA1943
- Q244 2SA1943
- Q245 2SA1943
- Q246 2SA1943
- Q247 2SA1943
- Q248 2SA1943
- Q249 2SA1943
- Q250 2SA1943
- Q251 2SA1943
- Q252 2SA1943
- Q253 2SA1943
- Q254 2SA1943
- Q255 2SA1943
- Q256 2SA1943
- Q257 2SA1943
- Q258 2SA1943
- Q259 2SA1943
- Q260 2SA1943
- Q261 2SA1943
- Q262 2SA1943
- Q263 2SA1943
- Q264 2SA1943
- Q265 2SA1943
- Q266 2SA1943
- Q267 2SA1943
- Q268 2SA1943
- Q269 2SA1943
- Q270 2SA1943
- Q271 2SA1943
- Q272 2SA1943
- Q273 2SA1943
- Q274 2SA1943
- Q275 2SA1943
- Q276 2SA1943
- Q277 2SA1943
- Q278 2SA1943
- Q279 2SA1943
- Q280 2SA1943
- Q281 2SA1943
- Q282 2SA1943
- Q283 2SA1943
- Q284 2SA1943
- Q285 2SA1943
- Q286 2SA1943
- Q287 2SA1943
- Q288 2SA1943
- Q289 2SA1943
- Q290 2SA1943
- Q291 2SA1943
- Q292 2SA1943
- Q293 2SA1943
- Q294 2SA1943
- Q295 2SA1943
- Q296 2SA1943
- Q297 2SA1943
- Q298 2SA1943
- Q299 2SA1943
- Q300 2SA1943

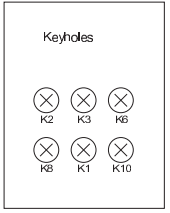
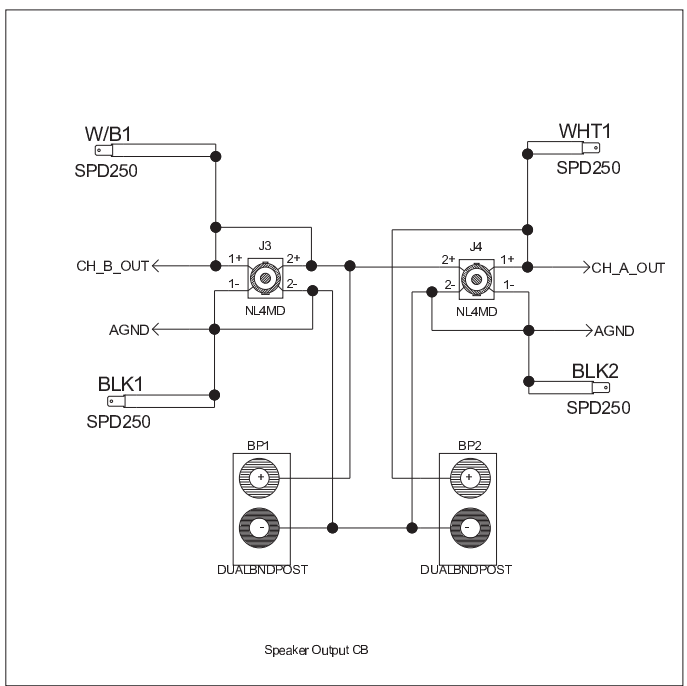


Ch-A

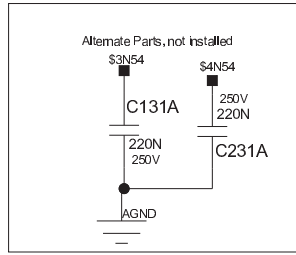
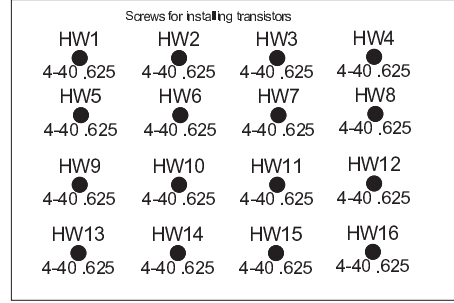
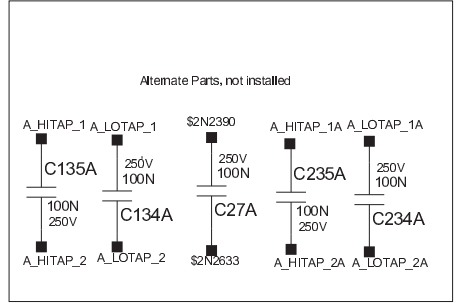
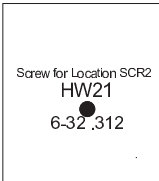
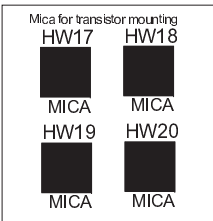
Ch-B



Display Board



HW22
FINHS



Title: CC1800

Sheet Title:

B Sheet 5 of 5 Date: 12-10-2004_17:00