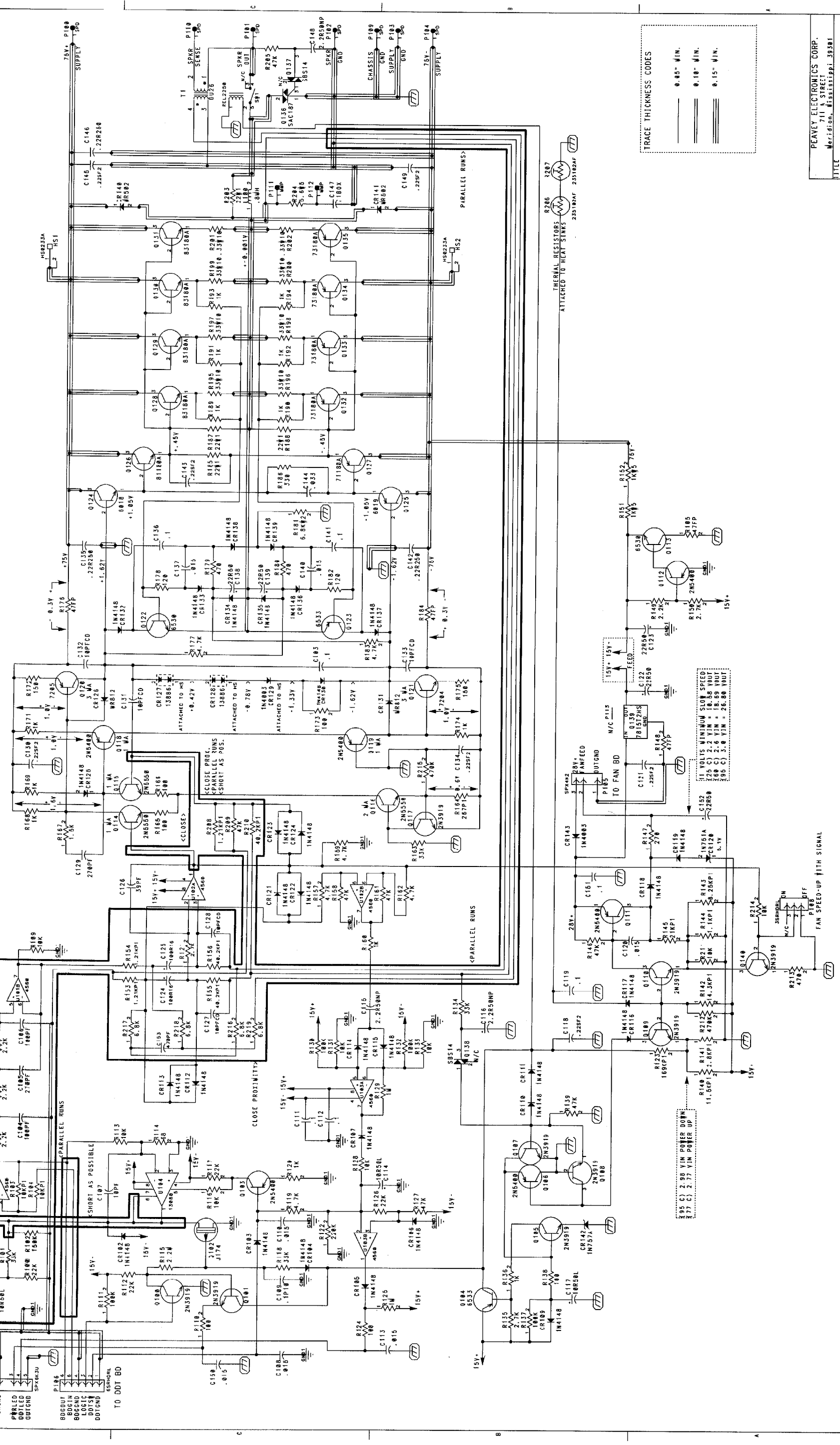
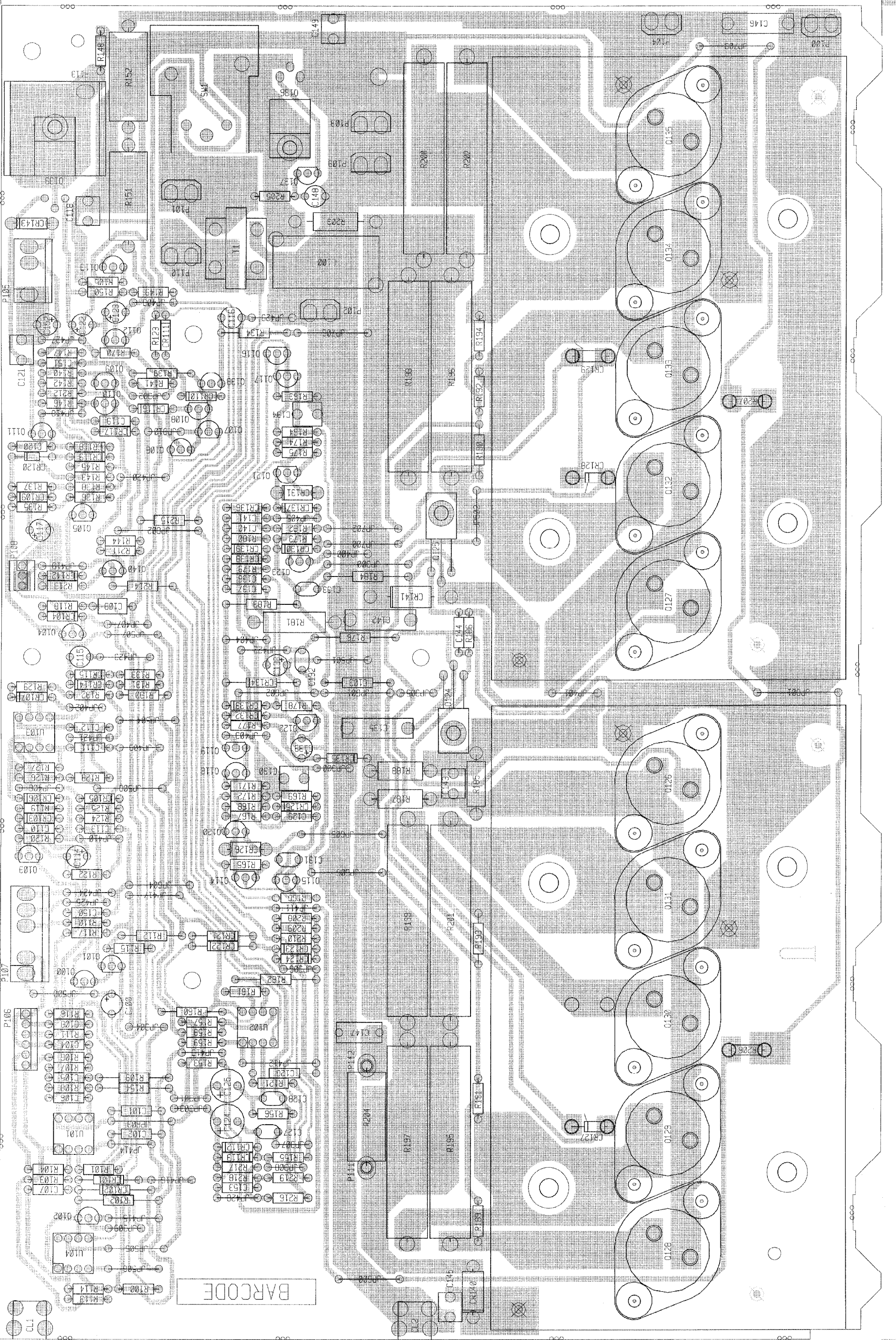


NOTICE: THIS CIRCUITRY IS PROTECTED BY U.S. PATENT NOS. 4,318,453 RE. 35,533 4,724,358 AND 4,192,751. FOREIGN #S 689566 357 74,536.1 54358 1,721,377 156,213 6,585,133 P. 406 1,658,408 6,585,133 P. 406 1,658,408 (PATENT PENDING) OWNED BY PEAVEY ELECTRONICS CORP. USE OR COPYING WITHOUT EXPRESS WRITTEN AUTHORITY FROM PEAVEY ELECTRONICS CORP. IS PROHIBITED AND VIOLATORS WILL BE PROSECUTED TO THE FULLEST EXTENT ALLOWED UNDER U.S. PATENT LAWS.



TRACE THICKNESS CODES  
 0.05" MIN.  
 0.10" MIN.  
 0.15" MIN.

PEAVEY ELECTRONICS CORP.  
 711 A STREET  
 Meridian, Mississippi 39301  
 TITLE  
 SIZE CODE NUMBER 81500081  
 DATE 15-OCT-99  
 SHEET 1 OF 1



BARCODE



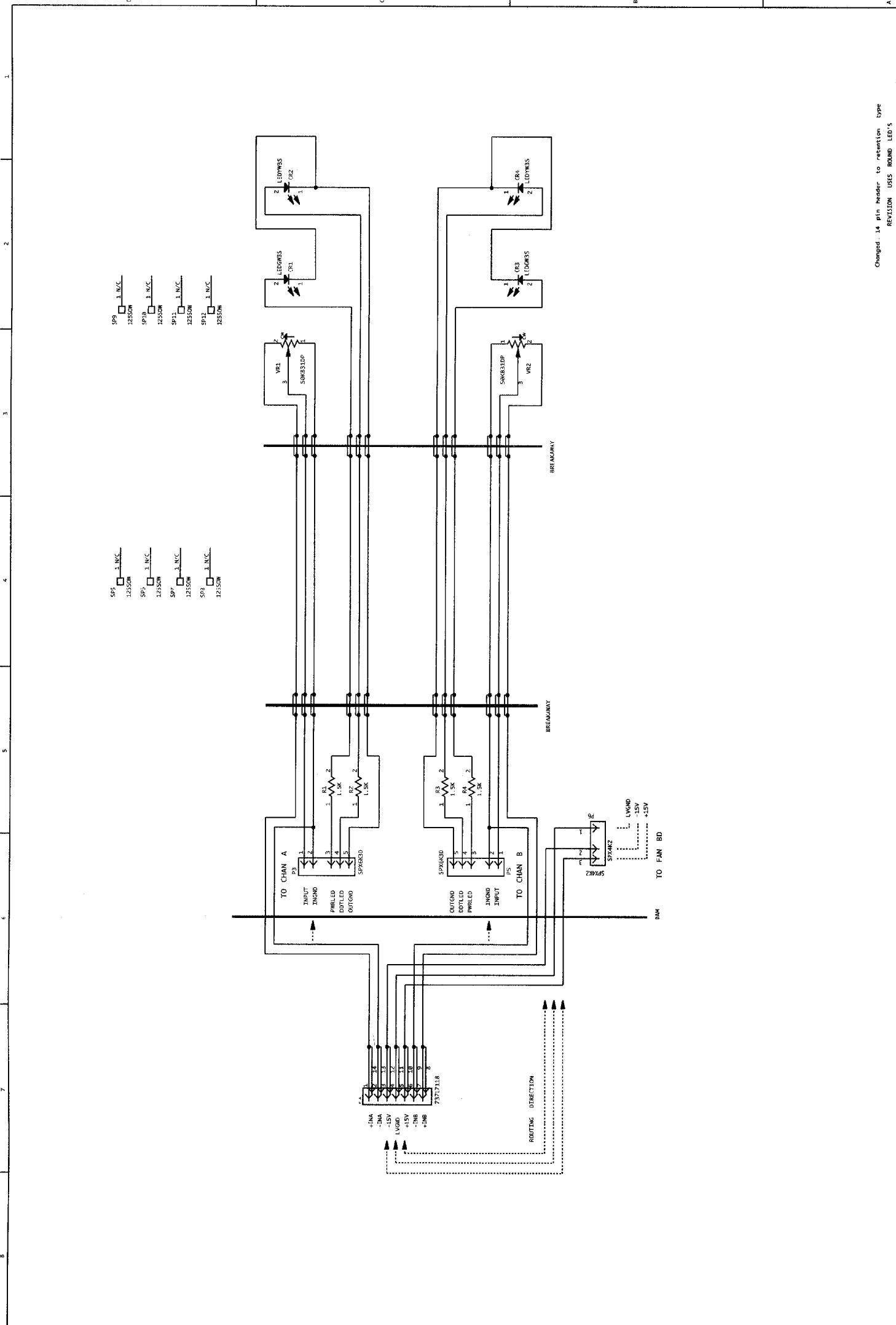




BOARD NAME: SC800SW INPUT/LEVEL

QTY.	PART NAME	VALUE	PART NUMBER	DESCRIPTION AND DEVICE DESIGNATIONS
1	LEDGW3S	LEDGW3S	70450046	GREEN T-1 LED W/ .300" SPACER T&A CR1
1	LEDYW3S	LEDYW3S	70450047	YELLOW T-1 LED W/ .300" SPACER T&A CR2
1	LEDGW3S	LEDGW3S	70450046	GREEN T-1 LED W/ .300" SPACER T&A CR3
1	LEDYW3S	LEDYW3S	70450047	YELLOW T-1 LED W/ .300" SPACER T&A CR4
1	14DRHDR	73717040	73717040	CONN 14-PIN 0.100 H F1
2	SPX6K3D	SPX6K3D	XXXXXXXXXX	5 EACH OF STAKE PINS F3, P5
1	SPX4K2	SPX4K2	XXXXXXXXXX	3 EACH OF STAKE PINS F6
4	1.5K	1.5K	70240018	1.5K-1/4W-5%-CF-R&R R1, R2, R3, R4
8	125SOW	7090C788	7090C788	SPACER, 1/8", R(#4), .187 SWAGE ALUM. SP5, SP6, SP7, SP8, SP9, SP10, SP11, SP12
2	50KB31DP	7119C138	7119C138	50K LINEAR 31 DETENT/WIRE TERMINAL VR1, VR2

\*\*\*\*\*

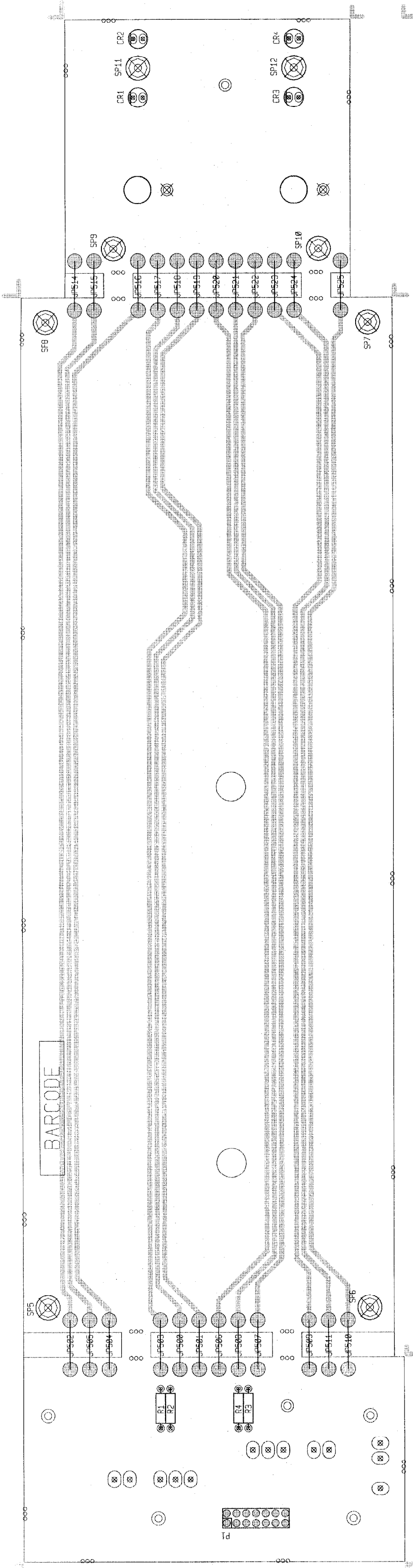


Changed 14 pin header to retention type  
REVISION USES ROUND LED'S

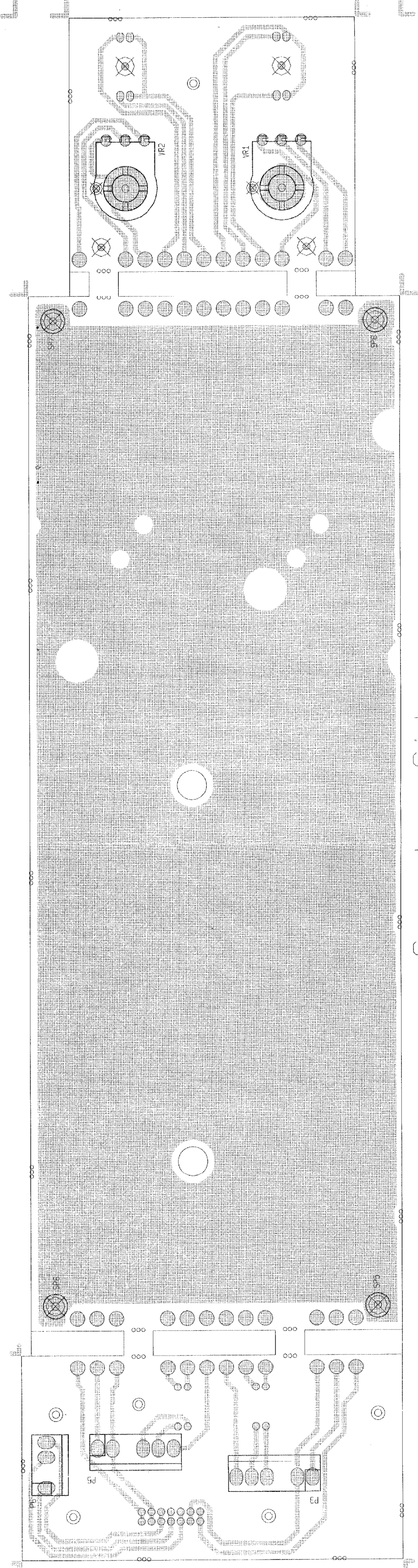
PENNEY ELECTRONICS CORP.	
14 SHEET 39291	
MERIDIAN, MISSISSIPPI	
TITLE	CS800S INPUT/LEVEL BID
SIZE	
CODE	
NUMBER	815008E1
REV	E
DATE	3-SEP-96
SHEET	1 OF 1

COMPANY PROPRIETARY INFORMATION

COPYRIGHT 1995 PENNEY ELECTRONICS CORP. PRINTED IN U.S.A.

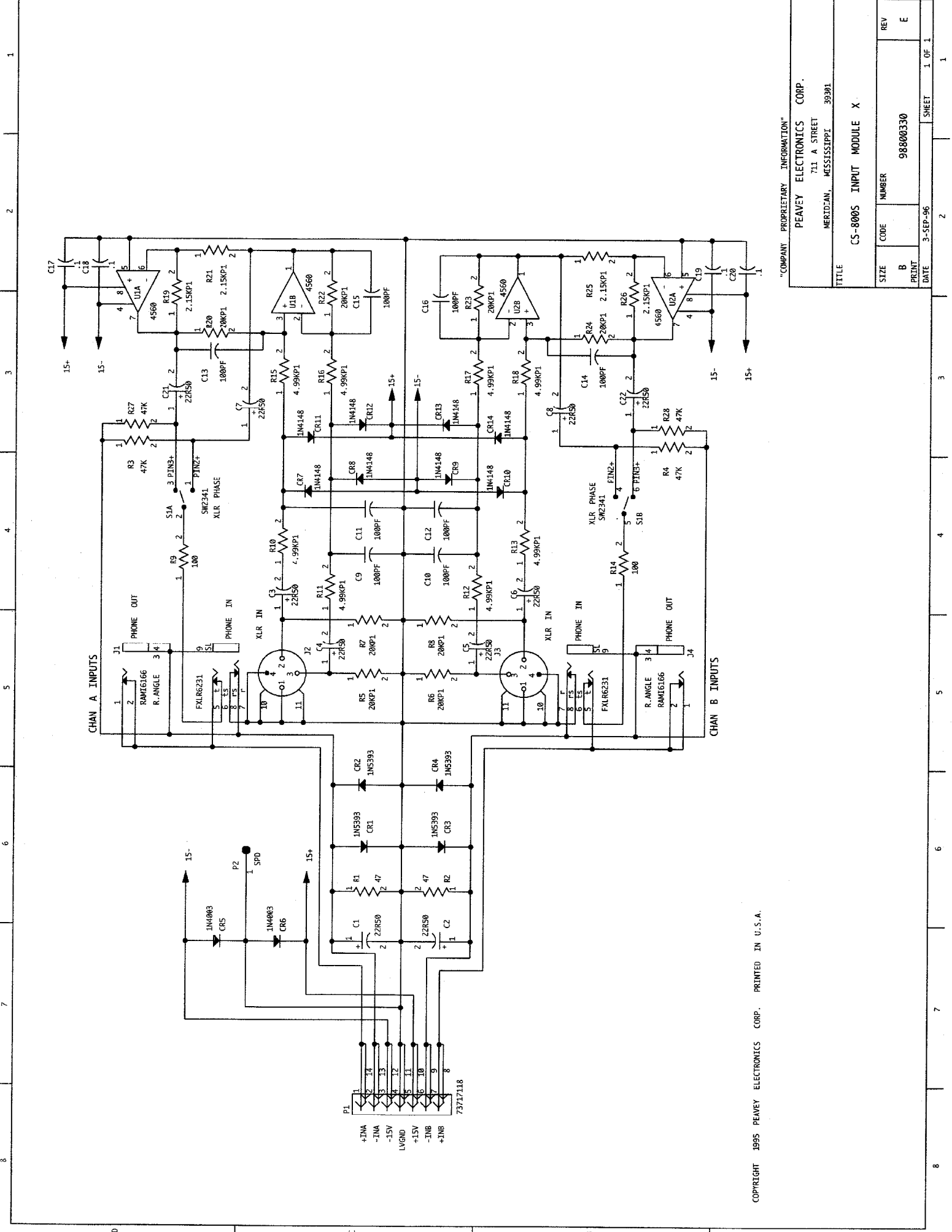


Primary Side



Secondary Side

CS800SW Input / Level 1



CHAN A INPUTS

CHAN B INPUTS

COPYRIGHT 1995 PEAVEY ELECTRONICS CORP. PRINTED IN U.S.A.

"COMPANY PROPRIETARY INFORMATION"

PEAVEY ELECTRONICS CORP.  
711 A STREET  
MERTIDIAN, MISSISSIPPI 39301

TITLE

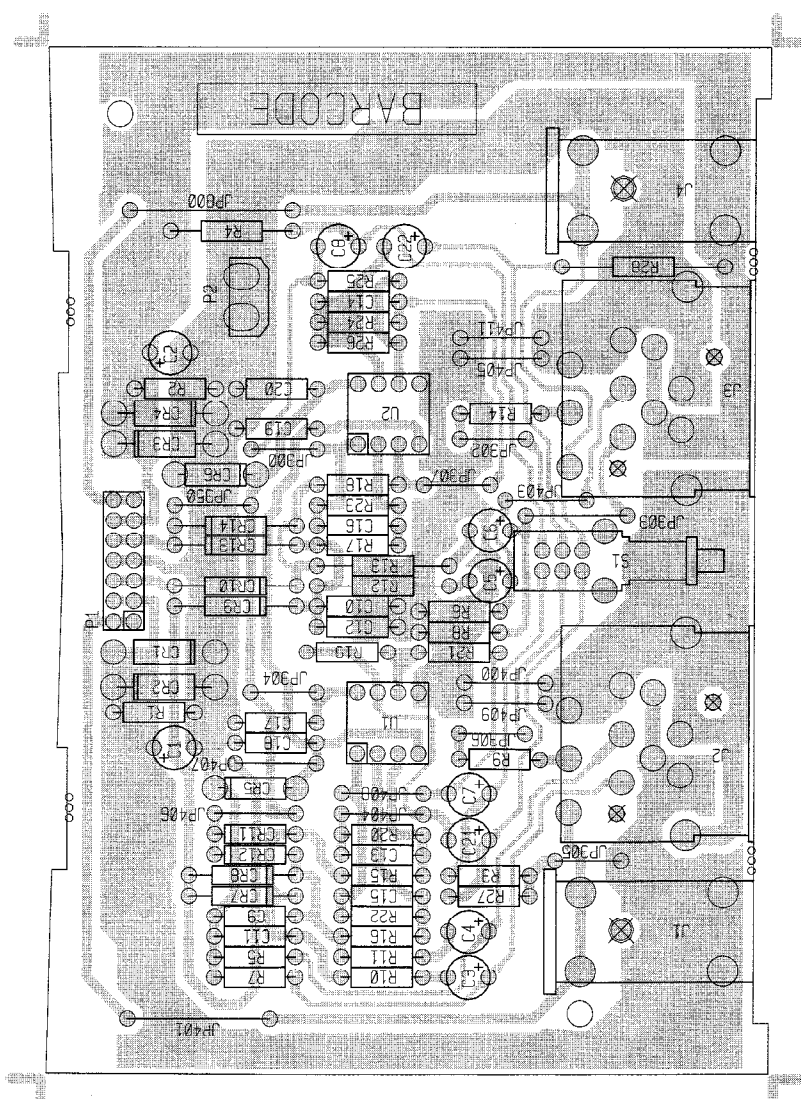
CS-800S INPUT MODULE X

SIZE	CODE	NUMBER	REV
B		98800330	E
PRINT			
DATE			

3-SEP-96 SHEET 1 OF 1

BOARD NAME: CS800SW IMX

QTY.	PART NAME	VALUE	PART NUMBER	DESCRIPTION AND DEVICE DESIGNATIONS
8	22R50	22R50	70320181	22MF--20%--50VDC--EL--T&A
8	100PF	100PF	70340054	C1, C2, C3, C4, C5, C6, C7, C8
4	.1	.1	70340100	100PF--10%--50VDC--T/C--T&R
2	22R50	22R50	70320181	C9, C10, C11, C12, C13, C14, C15, C16
4	1N5393	5393	70455393	.1MF--80-20%--50VDC--AXL--T&R
2	1N4003	1N4003	70464003	C17, C18, C19, C20
8	1N4148	4148	70464148	22MF--20%--50VDC--EL--T&A
1	RAMI6166	71466166	71466166	C21, C22
2	FXLR6231	71466231	71466231	1N5393--RL 200V, 1.5, 5& DIODE -T&R
1	RAMI6166	71466166	71466166	CR1, CR2, CR3, CR4
1	14DRDR	73717040	73717040	1N4003 200V SILICON DIODE
1	SPD	73716194	73716194	CR5, CR6
2	47	47	70240008	1N4148 75V 10MA SILICON DIODE
2	47K	47K	70240031	CR7, CR8, CR9, CR10, CR11, CR12, CR13, CR14
4	20K $\Omega$	20K $\Omega$	70241040	JK F/A 12.5MM INS MONO -88
1	100	100	70240010	J1
4	4.99K $\Omega$	4.99K $\Omega$	70241060	COMB COAXL FML XLR-1/4TK
1	100	100	70240010	J2, J3
4	4.99K $\Omega$	4.99K $\Omega$	70241060	JK R/A 12.5MM INS MONO -88
1	10K $\Omega$	10K $\Omega$	70241050	J4
1	20K $\Omega$	20K $\Omega$	70241040	CONN 14-PIN 0.100 H
1	10K $\Omega$	10K $\Omega$	70241050	P1
3	20K $\Omega$	20K $\Omega$	70241040	.250 FC MNT SPADE .093 PCB
2	47K	47K	70240031	F2
4	20K $\Omega$	20K $\Omega$	70241040	47--1/4W-5%--CF-T&R
1	100	100	70240010	R1, R2
4	4.99K $\Omega$	4.99K $\Omega$	70241060	47K-1/4W-5%--CF-T&R
1	100	100	70240010	R3, R4
4	4.99K $\Omega$	4.99K $\Omega$	70241060	20K-1/4W-1%--MF-T&R
1	10K $\Omega$	10K $\Omega$	70241050	R5, R6, R7, R8
1	20K $\Omega$	20K $\Omega$	70241040	100-1/4W-5%--CF-T&R
1	10K $\Omega$	10K $\Omega$	70241050	R9
1	20K $\Omega$	20K $\Omega$	70241040	4.99K-1/4W-1%--MF-T&R
1	10K $\Omega$	10K $\Omega$	70241050	R10, R11, R12, R13
3	20K $\Omega$	20K $\Omega$	70241040	100-1/4W-5%--CF-T&R
2	10K $\Omega$	10K $\Omega$	70241050	R14
2	47K	47K	70240031	4.99K-1/4W-1%--MF-T&R
1	SW2341	SW2341	71322341	R15, R16, R17, R18
2	4560	4560	70414560	10K-1/4W-1%--MF-T&R
				R19
				R20
				R21
				R22, R23, R24
				R25, R26
				R27, R28
				dpdt p/p r/a mini
				S1
				4560 DUAL OP AMP IC
				U1, U2

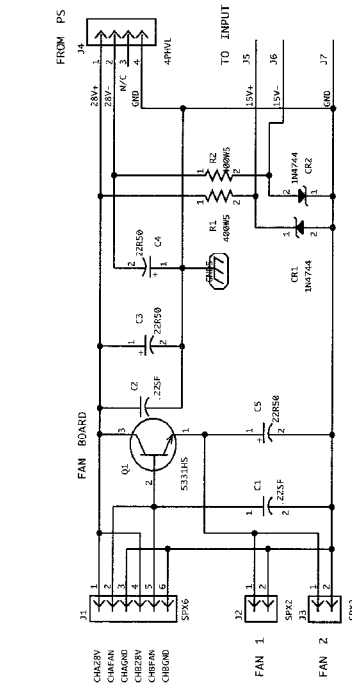
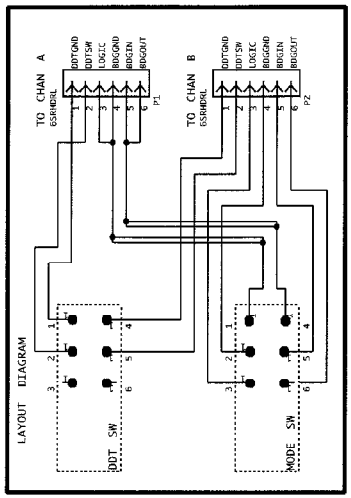
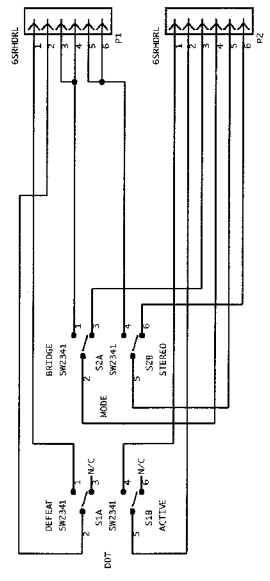


CS800SW Input Module "X"

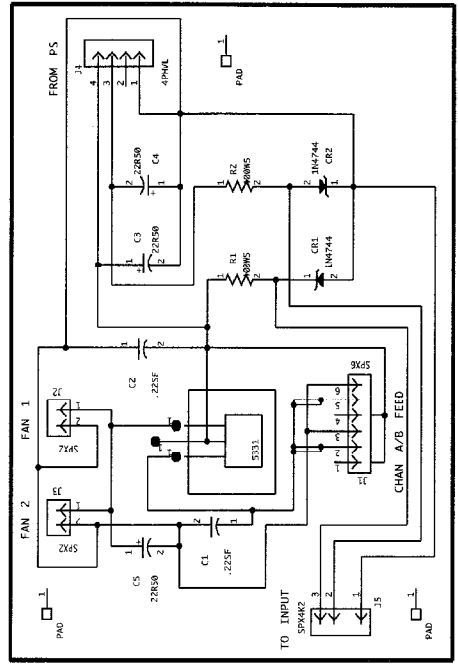


SP1 1 N/C  
2562W

SP2 1 N/C  
2562W



FANS 24V @ 180 MA EACH



TITLE		REV	
DATE	BY	NO.	REV
24-SEP-85		81590008	E
SHEET 1 OF 1			

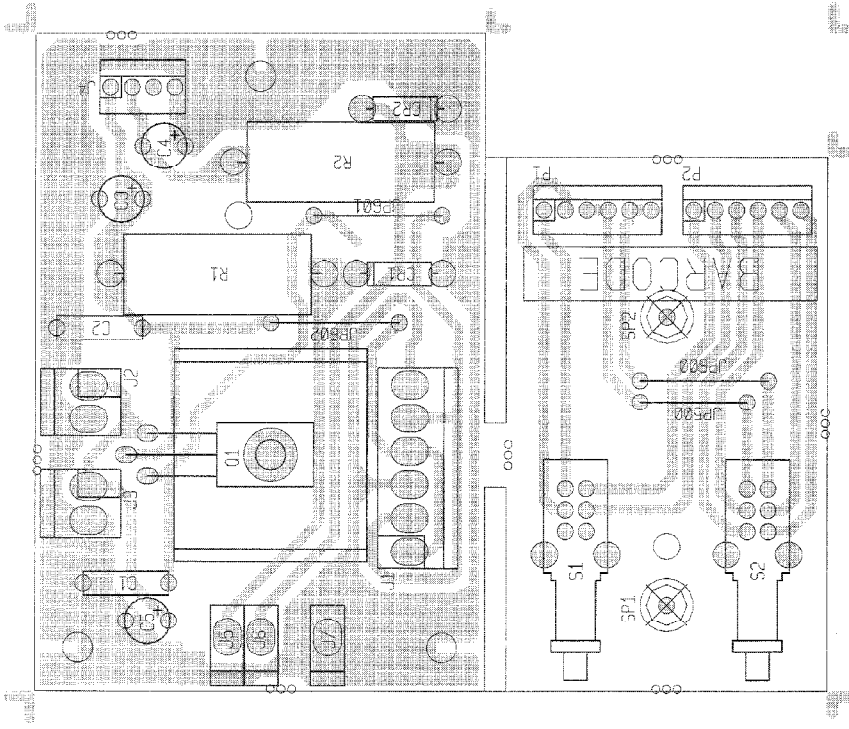
PEAVEY ELECTRONICS CORP.  
711 A STREET  
MERIDIAN, MISSISSIPPI 39301

CS800 SW DDT/FAN BO

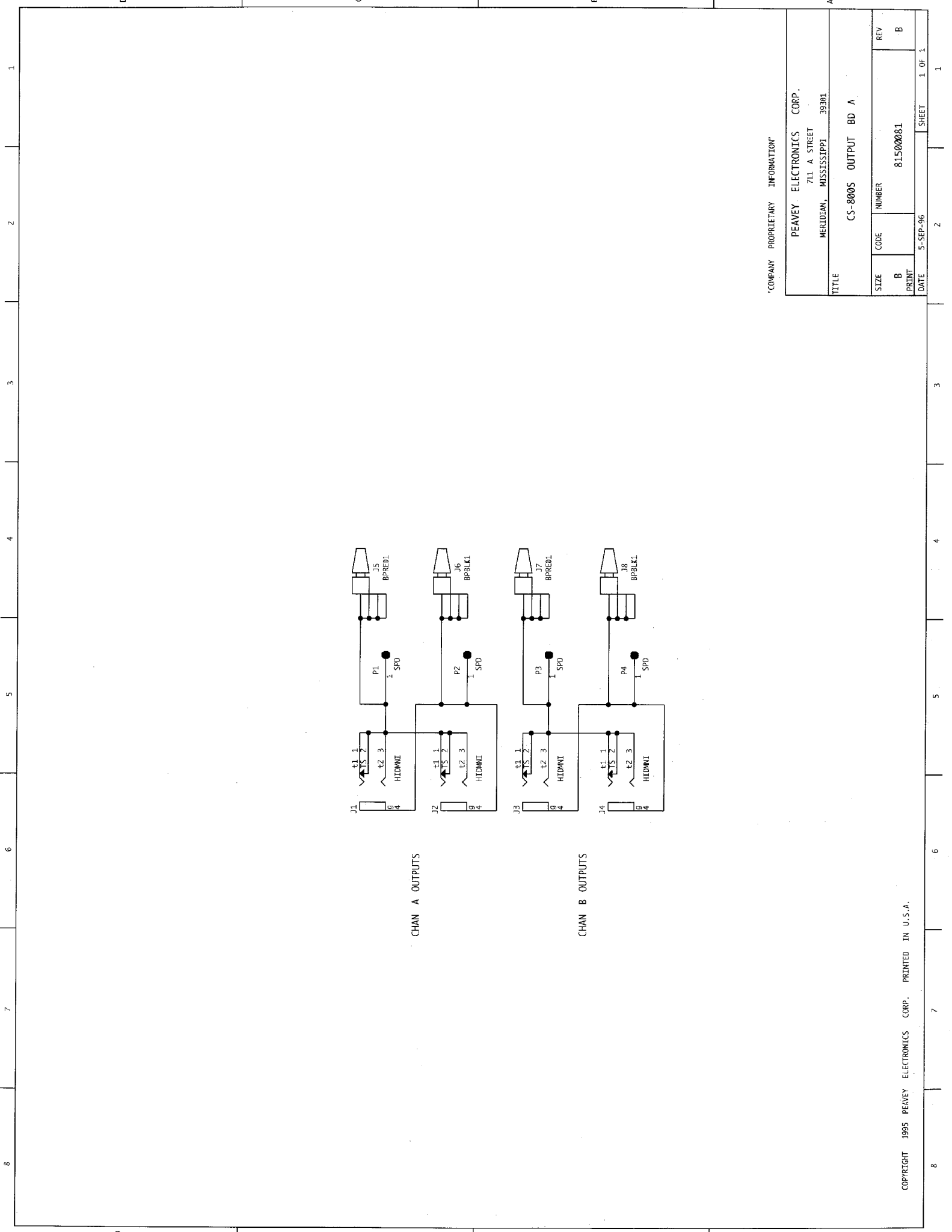
BOARD NAME: CS8SWDDT/FAN

QTY.	PART NAME	VALUE	PART NUMBER	DESCRIPTION AND DEVICE DESIGNATIONS
2	.22SF	.22SF	70330096	0.22 MF 5% 100V STICK FILM
3	22R50	22R50	70320181	22MF—20%—50VDC—EL—T&A
2	1N4744	4744	70440102	C3, C4, C5 SZG40102 15V 5% ZENER DIODE
1	SPX6	SPX6	XXXXXXX	CR., CR2 6 EACH OF STAKE PINS
2	SPX2	SPX2	XXXXXXX	J1 2 EACH OF STAKE PINS
1	4PHVL	4PHVL	73717015	J2, J3 4 PIN HEADER VERT. W/LOCK
3	SPX1U	SPX1U	73717003	J4 1 STAKE PIN
2	6SRHDL	73717123	73717123	J5, J6, J7 6 PIN .100 S/R HEADER LOCKING
1	533LHS	5331	70405331	P1, P2 SUF-5331 CASE-77 NPN W/ HEATSINK
2	400W5	400W5	70250062	Q1 400-5W-10%-W-AXL
2	SW2341	SW2341	71322341	R1, R2 dpdt p/p r/a mini
2	250STW	70901856	70901856	S1, S2 SPCR, 1/4,R(#4),.187 SW,A

\*\*\*\*\*  
 \* END OF BILL OF MATERIALS REPORT \*  
 \*\*\*\*\*



CS800SW DDT / FAN



CHAN A OUTPUTS

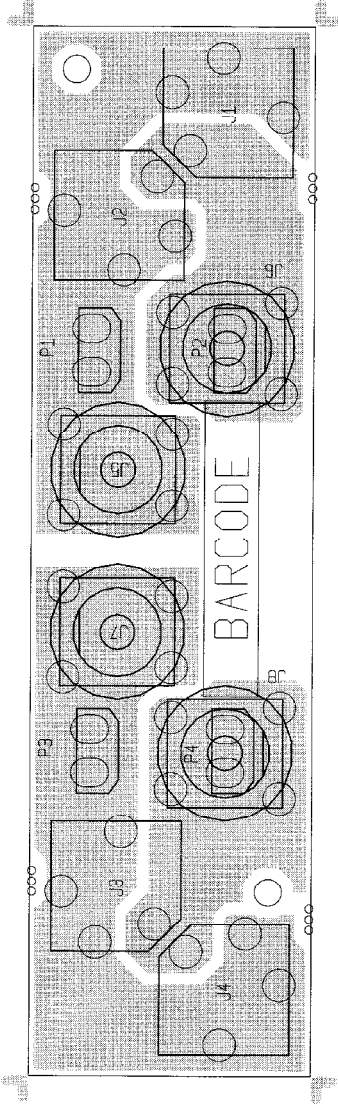
CHAN B OUTPUTS

COMPANY PROPRIETARY INFORMATION

PEAVEY ELECTRONICS CORP.  
711 A STREET  
MERIDIAN, MISSISSIPPI 39301

TITLE  
CS-800S OUTPUT BD A

SIZE	CODE	NUMBER	REV
B		81500081	B
DATE	5-SEP-96	SHEET	1 OF 1



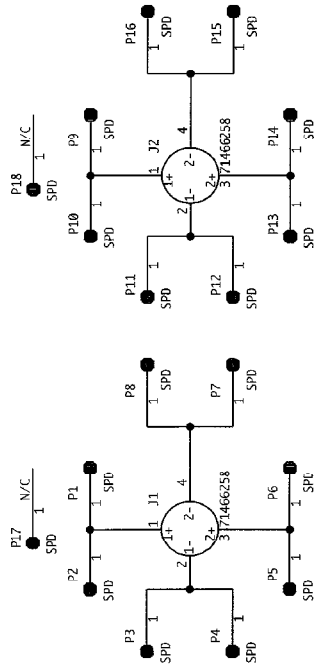
BOARD NAME: CS800SW OUTPUT

PART	VALUE	PART	DESCRIPTION AND
** QTY. NAME	NUMBER	NUMBER	DEVICE DESIGNATIONS
4	HIDMNI	71466214	2 TIP HID JACK NINS W/SPD J1, J2, J3, J4
1	B3RED1	71466201	BINDING POST PC RED-90 J5
1	B3BLK1	71466200	BINDING POST PC BLK-90 J6
1	B3RED1	71466201	BINDING POST PC RED-90 J7
1	B3BLK1	71466200	BINDING POST PC BLK-90 J8
4	SPD	73716194	.250 PC MNT SPADE .093 PCB P1, P2, P3, P4

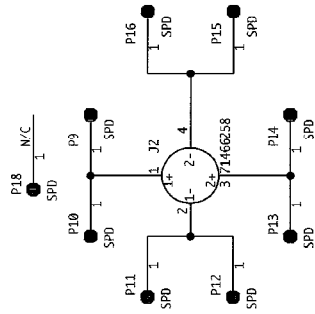
\*\*\*\*\*

# CS800SW Output





ENCLOSURE A



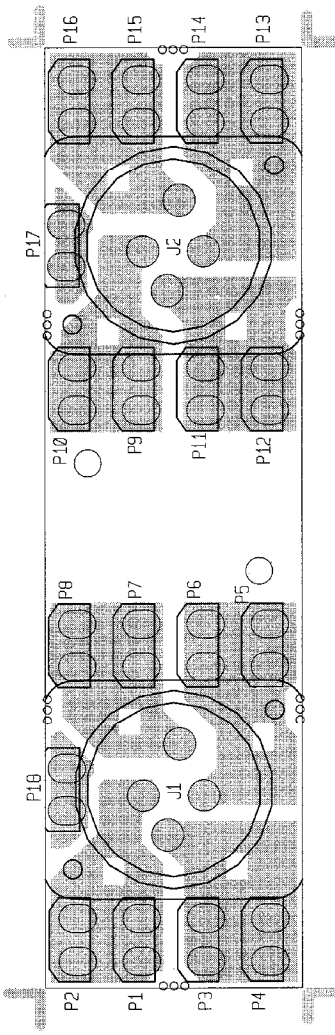
ENCLOSURE B

"COMPANY PROPRIETARY INFORMATION"

PEAVEY ELECTRONICS CORP.  
711 A STREET  
MERIDIAN, MISSISSIPPI 39301

TITLE  
CS-800S EURO OUT BOARD

SIZE B	CODE PRINT	NUMBER .81500081	REV C
DATE 5-SEP-96	SHEET 2		1 OF 1



BOARD NAME: CS800SW EURO OUT

** QTY. NAME	VALUE	PART NUMBER	DESCRIPTION AND DEVICE DESIGNATIONS
2	71466258	71466258	PCB CONN, 4 POLE SPEAKON (NEUTRIK)
18	SPD	73716194	J1, J2 .250 PC MNT SPADE .C93 PCB P1, P2, P3, P4, P5, P6, P7, P8, P9, P10, P11, P12, P13, P14, P15, P16, P17, P18

# CS800SW Euro Output