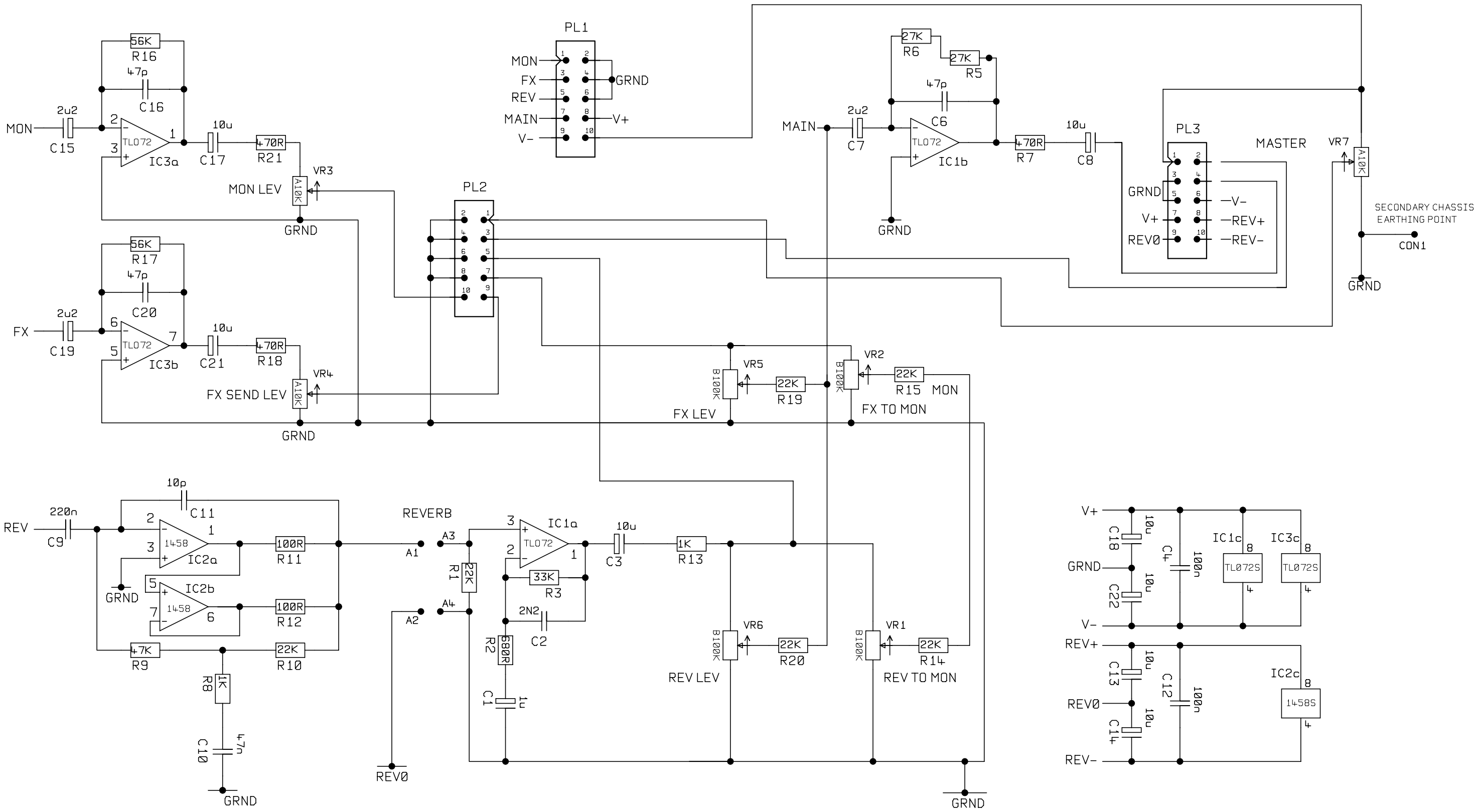
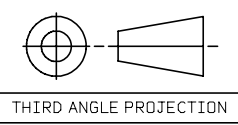


DWG.No. PA400-61-04



UNSPECIFIED HOLE DATA

ISS	ECO NUMBER	DATE	A	B	C	D	E	F	G
3	0181	24-3-92	D	E	F	G	H	J	K
2	0175	3-3-92	E	F	G	H	J	K	L
			F	G	H	J	K	L	M
			G	H	J	K	L	M	N
									P

MATERIAL	
MATERIAL THICKNESS	
INTERNAL BEND RADII	
EXTERNAL B/A	
BEND DIE	
DRAWN	A.G.
DATE	25-1-92
CHECKED	
DATE	
APPROVED	
DATE	

DIMENSIONS IN	
TOLERANCE (UNLESS OTHERWISE STATED)	
DIMENSIONAL	
CENTRES	
ANGULAR	
MODEL	PA400

Marshall

COPYRIGHT EXISTS ON THIS DOCUMENT. IT MUST NOT BE USED FOR ANY PURPOSE THAN THAT FOR WHICH IT IS SUPPLIED AND MUST NOT BE COPIED (IN WHOLE OR IN PART) WITHOUT WRITTEN PERMISSION FROM

© JIM MARSHALL (PRODUCTS) LTD.
DENBIGH ROAD, BLETCHLEY, MILTON KEYNES, MK1 1DG.
TEL. (0908)375411 FAX (0908)376118

TITLE	
CCT DIAG (MASTER)	
DWG.No	PA400-61-04
ISSUE	3