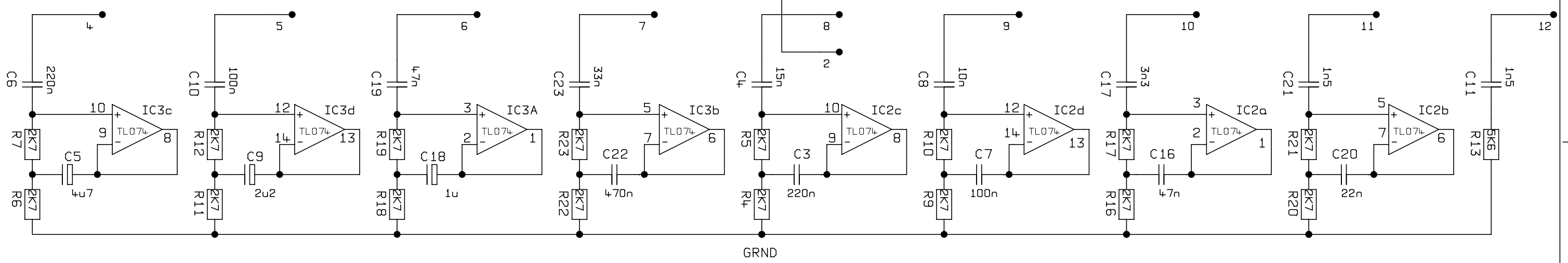
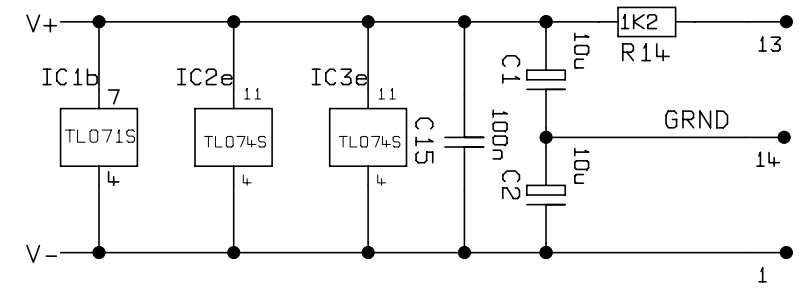
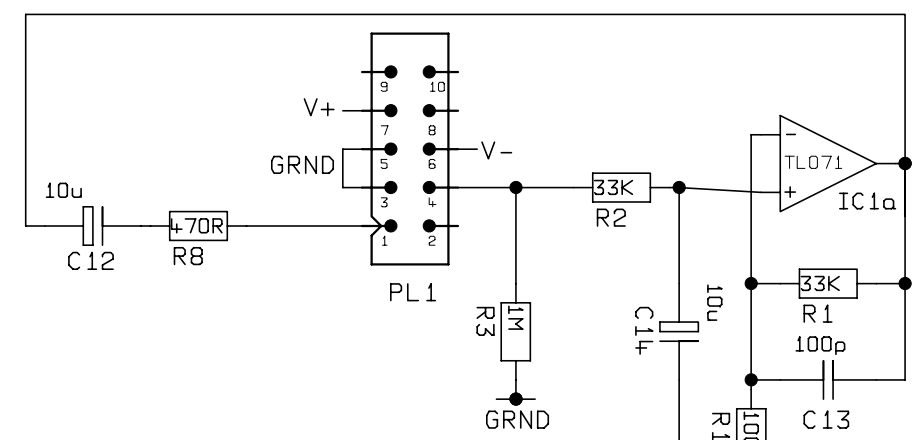
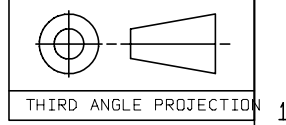


DWG. No. PA400-63-04



UNSPECIFIED HOLE DATA

		A	H
		B	J
		C	K
		D	L
		E	M
2	0181	24-3-92	F
ISS	ECO NUMBER	DATE	G

MATERIAL	
MATERIAL THICKNESS	
INTERNAL BEND RADII	
EXTERNAL B/A	
BEND DIE	
DRAWN A.G.	DATE 25-1-92
CHECKED	DATE
APPROVED	DATE

DIMENSIONS IN	
TOLERANCE (UNLESS OTHERWISE STATED)	
DIMENSIONAL	
CENTRES	
ANGULAR	
MODEL PA400	

Marshall

COPYRIGHT EXISTS ON THIS DOCUMENT. IT MUST NOT BE USED FOR ANY PURPOSE THAN THAT FOR WHICH IT IS SUPPLIED AND MUST NOT BE COPIED IN WHOLE OR IN PART WITHOUT WRITTEN PERMISSION FROM

© JIM MARSHALL (PRODUCTS) LTD.  
DENBIGH ROAD, BLETCHLEY, MILTON KEYNES, MK1 1DQ.  
TEL (0908)375411 FAX (0908)375118

TITLE	
CCT DIAG (GRAPHIC)	
DWG. No	ISSUE
PA400-63-04	2