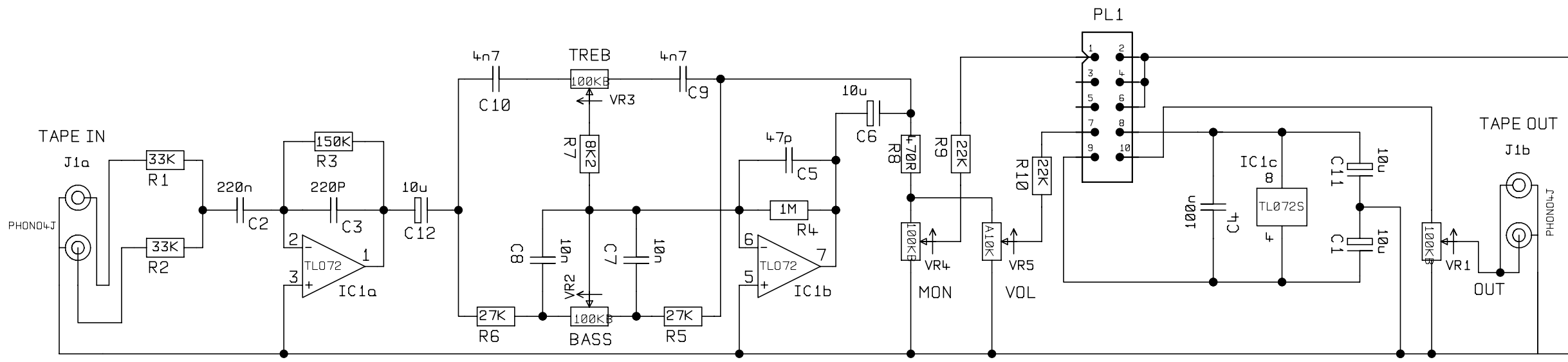
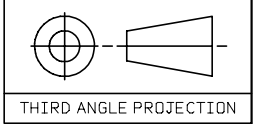


DWG.No. PA400-64-04



UNSPECIFIED HOLE DATA			MATERIAL		DIMENSIONS IN		TITLE	
	A		H	MATERIAL THICKNESS	TOLERANCE (UNLESS OTHERWISE STATED)			
	B		J	INTERNAL BEND RADII	DIMENSIONAL			
	C		K	EXTERNAL B/A	CENTRES			
	D		L	BEND DIE	ANGULAR			
	E		M	DRAWN A.G.	DATE 25-1-92	MODEL PA400		
2	0175	24-3-92	F	CHECKED	DATE		COPYRIGHT EXISTS ON THIS DOCUMENT. IT MUST NOT BE USED FOR ANY PURPOSE THAN THAT FOR WHICH IT IS SUPPLIED AND MUST NOT BE COPIED OR IN PART WITHOUT WRITTEN PERMISSION FROM (IN WHOLE)	
ISS	ECO NUMBER	DATE	G	APPROVED	DATE		© JIM MARSHALL (PRODUCTS) LTD. DENBIGH ROAD, BLETCHLEY, MILTON KEYNES, MK1 1DQ. TEL. (0908)375411 FAX (0908)376118	
							DWG.No PA400-64-04 ISSUE 2	