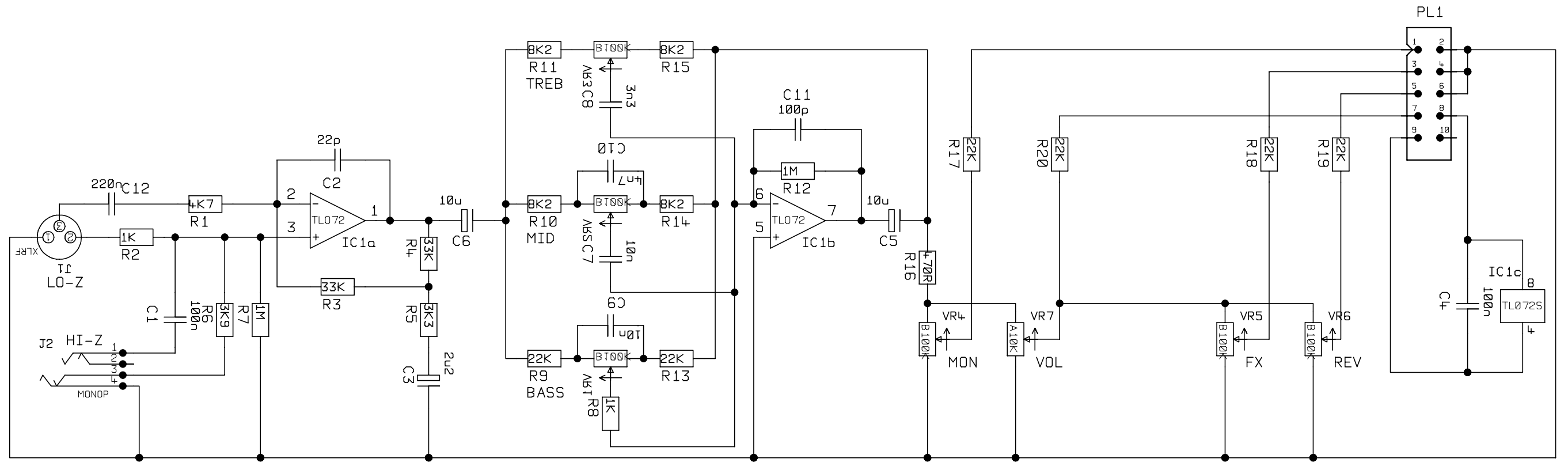
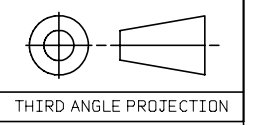


DWG.No. PA400-65-04



UNSPECIFIED HOLE DATA			MATERIAL	DIMENSIONS IN		<p>COPYRIGHT EXISTS ON THIS DOCUMENT. IT MUST NOT BE USED FOR ANY PURPOSE THAN THAT FOR WHICH IT IS SUPPLIED AND MUST NOT BE COPIED OR IN PART WITHOUT WRITTEN PERMISSION FROM</p> <p>© JIM MARSHALL (PRODUCTS) LTD. DENBIGH ROAD, BLETCHLEY, MILTON KEYNES, MK1 1DD. TEL (0900)375411 FAX (0900)376110</p>	TITLE	
A	H	MATERIAL THICKNESS	TOLERANCE (UNLESS OTHERWISE STATED)		CCT DIAG (CHANNEL)			
B	J	INTERNAL BEND RADII	DIMENSIONAL		DWG.No			
C	K	EXTERNAL B/A	CENTRES		PA400-65-04			
D	L	BEND DIE	ANGULAR		ISSUE			
E	M	DRAWN A.G.	DATE 25-1-92	MODEL	2			
2	F	ISS	ECO NUMBER	DATE				
	G							