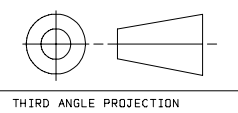
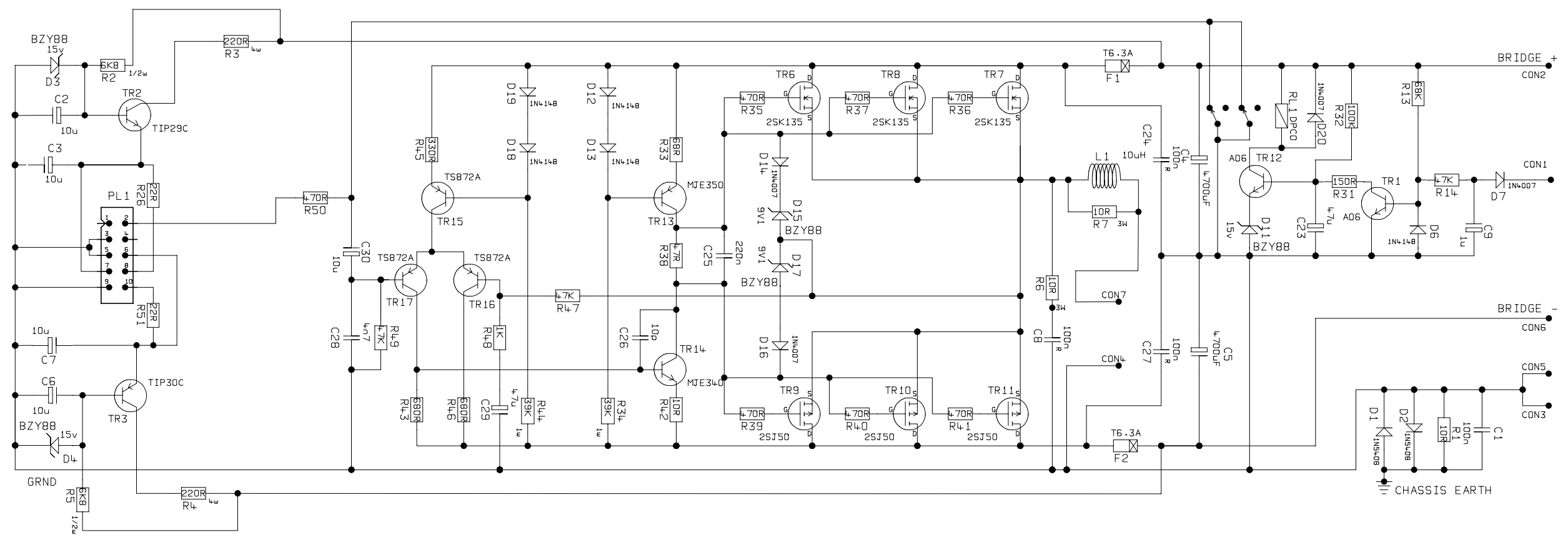
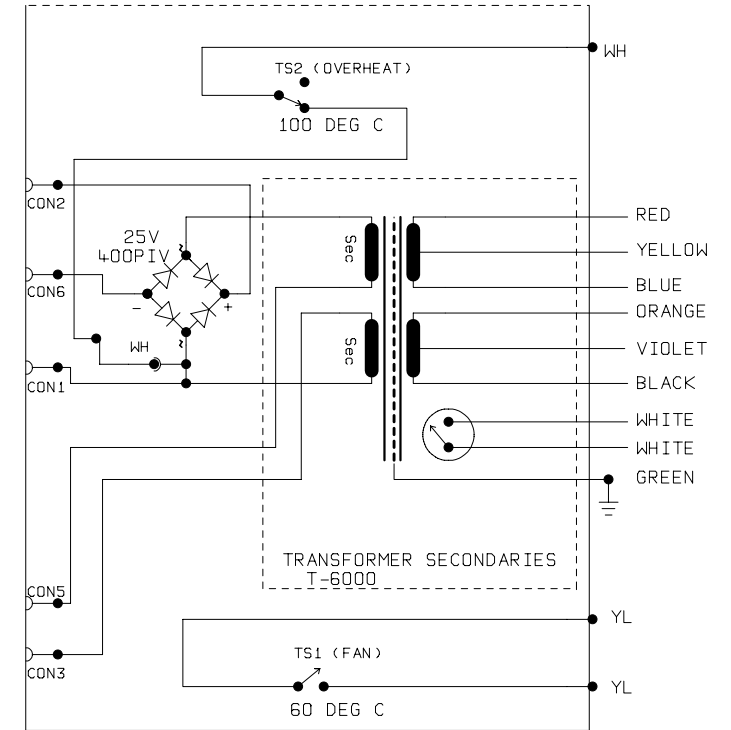


DWG.No. PA400-66-04



NOTE: TS1 & TS2 MOUNTED ON MAIN HEATSINK



UNSPECIFIED HOLE DATA

A	H
B	J
C	K
D	L
E	M
F	N
G	P

MATERIAL	
MATERIAL THICKNESS	
INTERNAL BEND RADIUS	
EXTERNAL B/A	
BEND DIE	
DRAWN A.G.	DATE 25-1-92
CHECKED	DATE
APPROVED	DATE

DIMENSIONS IN	
TOLERANCE (UNLESS OTHERWISE STATED)	
DIMENSIONAL	
CENTRES	
ANGULAR	
MODEL PA400	

Marshall

COPYRIGHT EXISTS ON THIS DOCUMENT. IT MUST NOT BE USED FOR ANY PURPOSE THAN THAT FOR WHICH IT IS SUPPLIED AND MUST NOT BE REPRODUCED OR IN PART) WITHOUT WRITTEN PERMISSION FROM  
 © JIM MARSHALL (PRODUCTS) LTD.  
 DENBIGH ROAD, BLETCHLEY, MILTON KEYNES, MK1 1DG.  
 TEL (0908)375411 FAX (0908)376118

TITLE	
CCT DIAG (POWER)	
PURPOSE	
DWG.No	ISSUE
PA400-66-04	5

ECO NUMBER		DATE	
5	0426	5/11/93	C
4	0286	13/1/93	D
3	0202	13/04/92	E
2	0181	24-3-92	F
ISS	ECO NUMBER	DATE	G