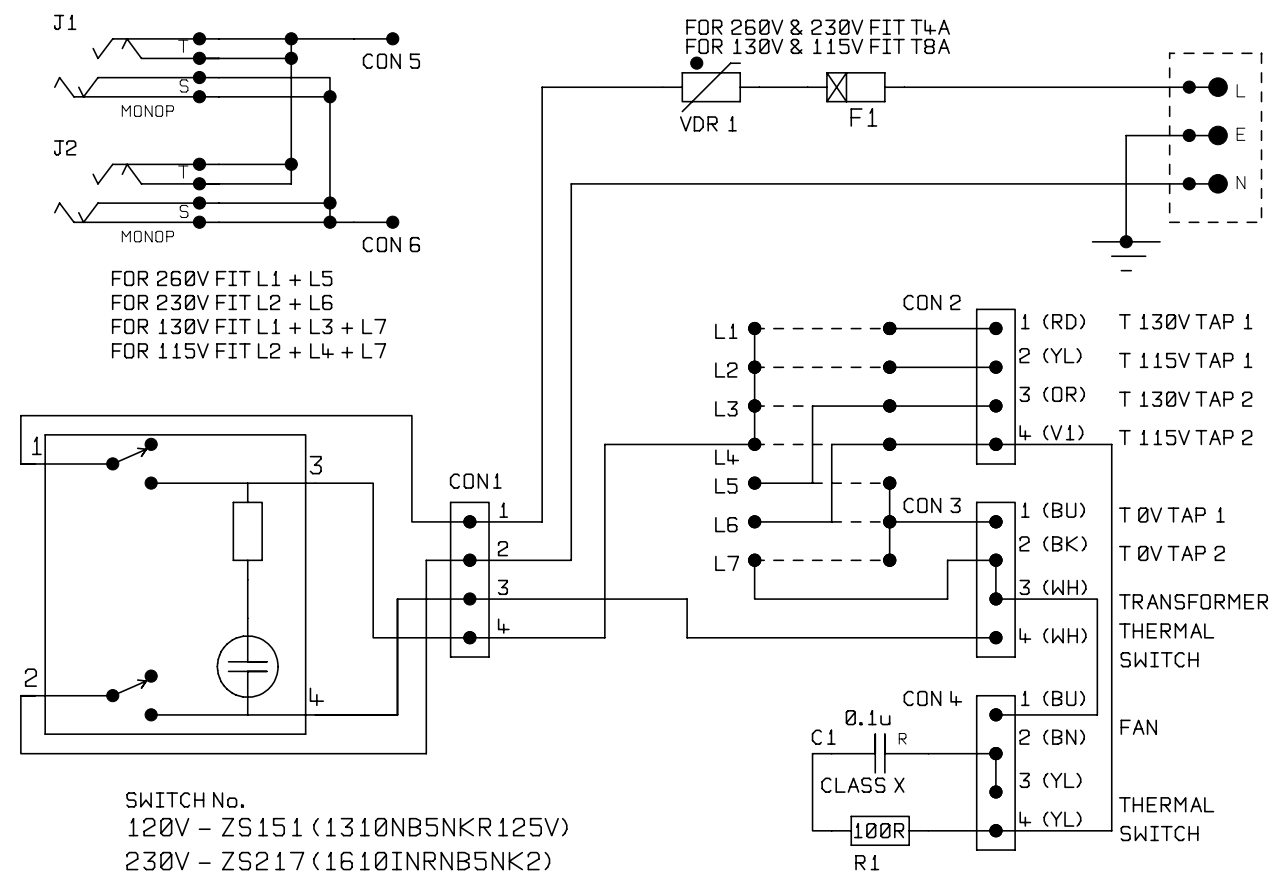
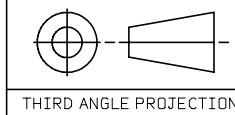


DWG.No. PA400-67-04



UNSPECIFIED HOLE DATA			MATERIAL		DIMENSIONS IN		TITLE	
	A	H	MATERIAL THICKNESS	TOLERANCE (UNLESS OTHERWISE STATED)				
	B	J	INTERNAL BEND RADII	DIMENSIONAL				
	C	K	EXTERNAL B/A	CENTRES				
	D	L	BEND DIE	ANGULAR				
3	E	M	DRAWN A.G.	DATE 25-1-92	MODEL		PA400	
2	F	N	CHECKED	DATE				
ISS	G	P	APPROVED	DATE				
							TITLE CCT DIAG (PSU)	
					© JIM MARSHALL (PRODUCTS) LTD. DENBIGH ROAD, BLETCHLEY, MILTON KEYNES, MK1 1DQ. TEL (0900)375411 FAX (0900)376118		DWG.No PA400-67-04	
							ISSUE 3	