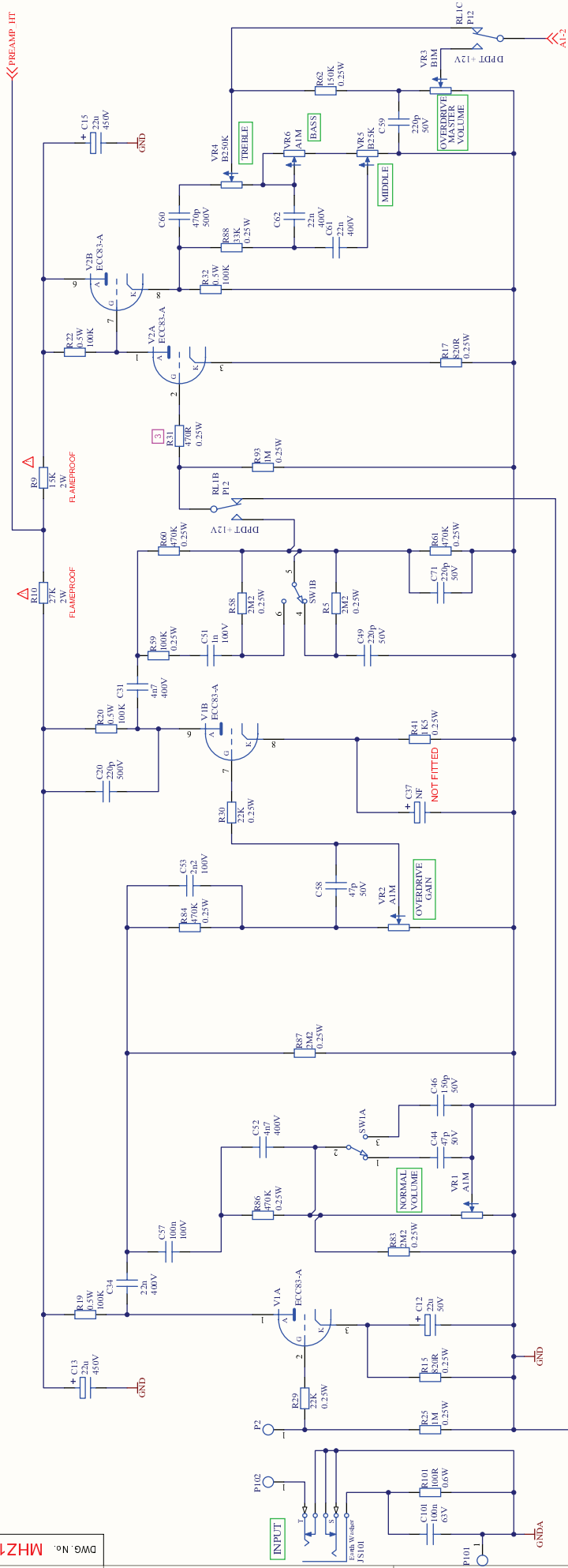


DWG No. MHZ15-60-02

⚠ SAFETY CRITICAL COMPONENT
REPLACE ONLY WITH SAME TYPE
& RATING



3	3175	26MAY09
2	PRODUCTION	06MAY08
ISS	ECO NUMBER	DATE

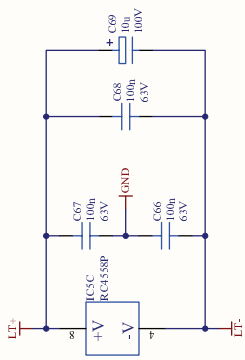
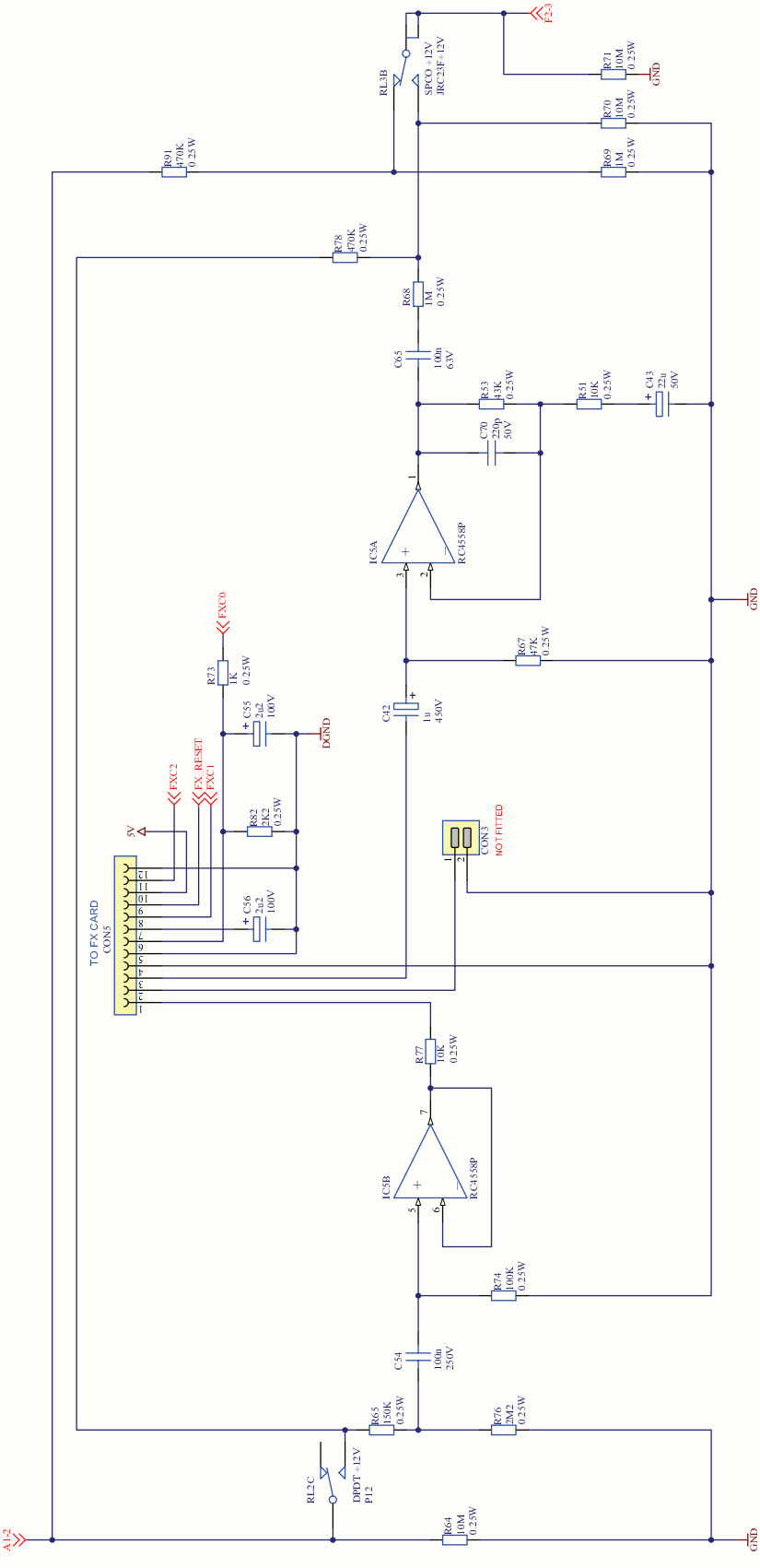
MATERIAL			
MATERIAL THICKNESS			
DRAWN	HG	DATE	02APR08
CHECKED	JM	DATE	26MAY09
APPROVED	JL	DATE	26MAY09

DIMENSIONS IN (mm)			
TOLERANCE (UNLESS OTHERWISE STATED)			
HOLE DIA = +/-			
DIMENSIONAL = +/-			
MODEL			
MHZ15			



TITLE
MHZ15 PCB PRE-AMP

DWG No. MHZ15-60-02

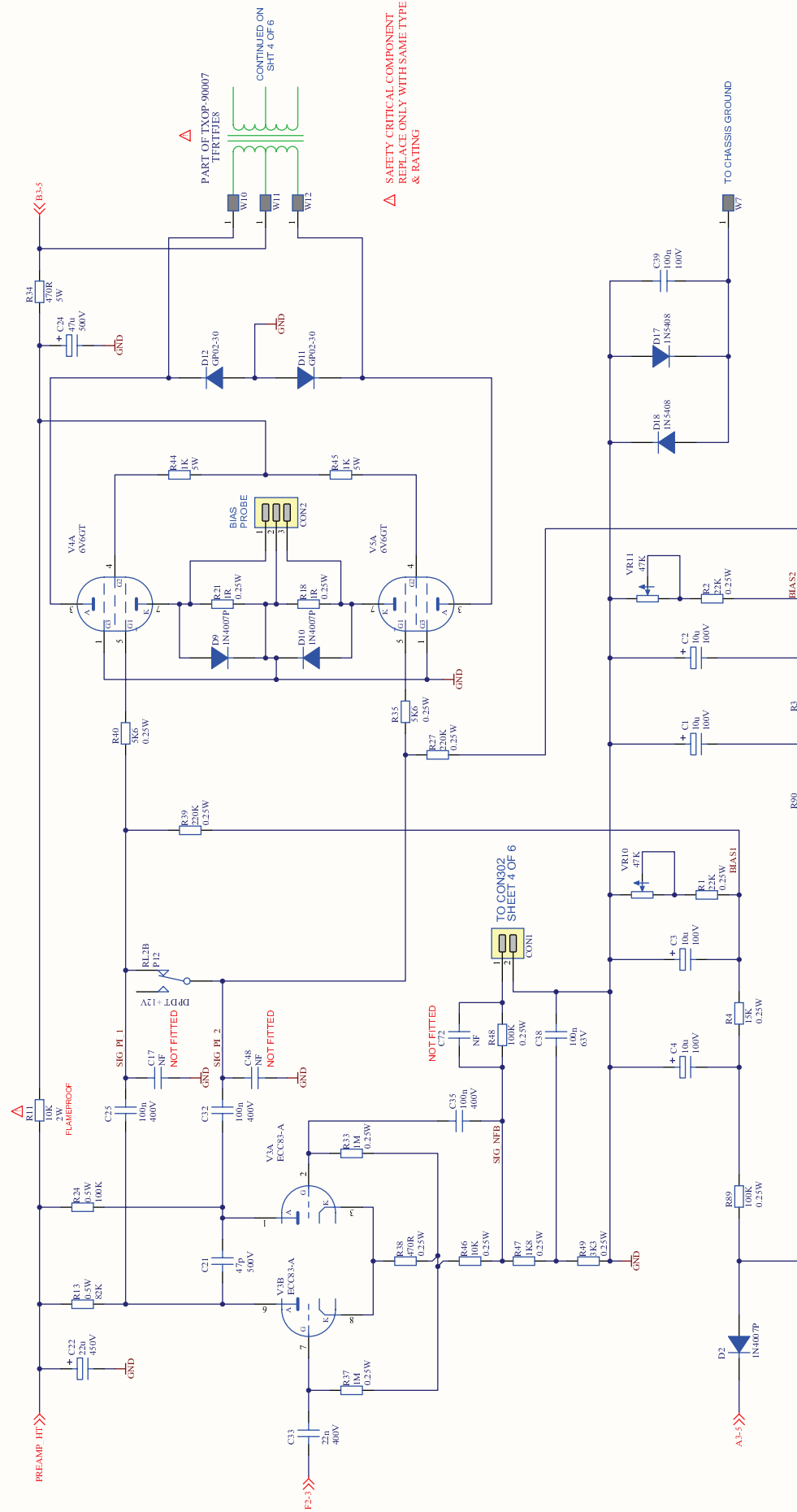


ISS	3175	DATE	26MAY09
2	PRODUCTION	DATE	06MAY08
3	ECO NUMBER	DATE	

MATERIAL	DIMENSIONS IN (MM)		
MATERIAL THICKNESS	TOLERANCE (UNLESS OTHERWISE STATED)		
DRAWN HG	DATE 02APR08	HOLE DIA = +/-	
CHECKED JM	DATE 26MAY09	DIMENSIONAL = +/-	
APPROVED JL	DATE 26MAY09	MODEL	MHZ15

TITLE		MHZ15 PCB	
DWG No.		FX LOOP	
ISS	3	Sheet	2 of 6
MHZ15-60-02		DWG No.	

Marshall
MARSHALL MANUFACTURING INC.
DESIGN CENTER 17941 FOX FOX RD 30118
FAX: 313-411-1515 MHZ15-60-02 2 ISS3 3440x
Dwg: 31022809



△ SAFETY CRITICAL COMPONENT
REPLACE ONLY WITH SAME TYPE
& RATING

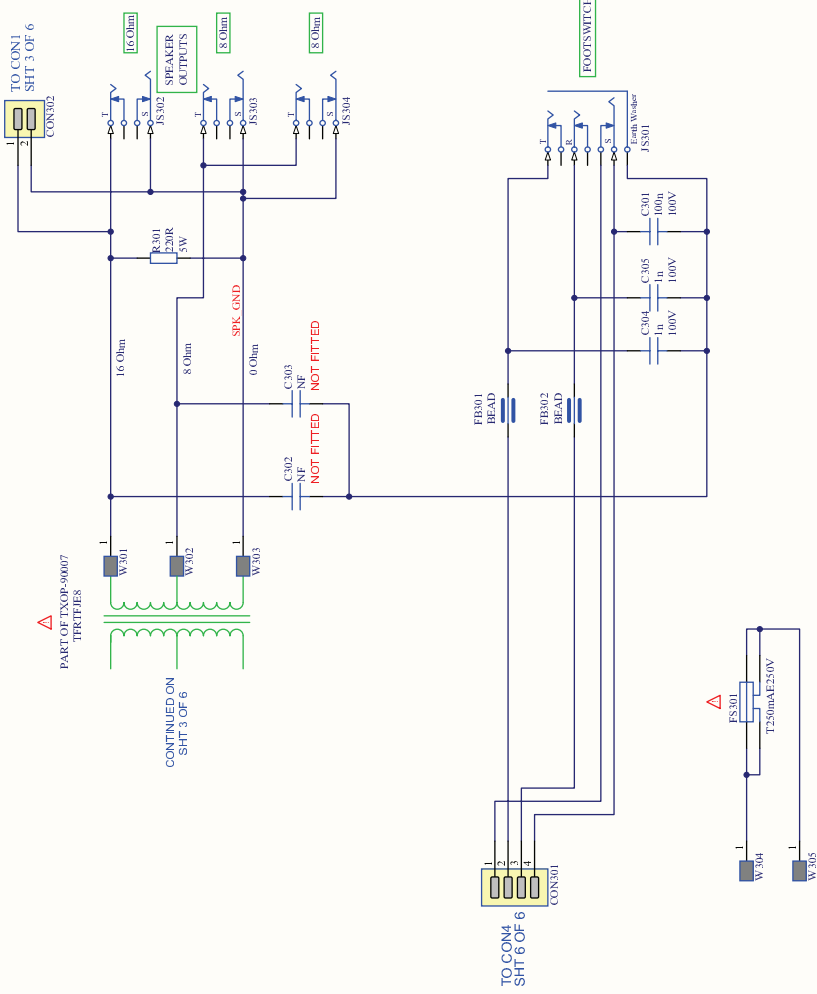
△ PART OF TXOP-90007
CONTINUED ON
SHT 4 OF 6

ISS	ECO NUMBER	DATE
3	3175	26MAY09
2	PRODUCTION	06MAY08

MATERIAL		DIMENSIONS IN (mm)	
TOLERANCE (UNLESS OTHERWISE STATED)			
DRAWN	HG	DATE	02APR08
CHECKED	JM	DATE	26MAY09
APPROVED	JL	DATE	26MAY09
MATERIAL THICKNESS		HOLE DIA = +/-	
DIMENSIONAL		DIMENSIONAL = +/-	
MODEL		MODEL	
MHZ15		MHZ15	



TITLE	MHZ15 PCB POWER AMP	
DWG No.	MHZ15-60-02	
ISS	3	
Sheet	3 of 6	



⚠ SAFETY CRITICAL COMPONENT
REPLACE ONLY WITH SAME TYPE
& RATING

3	3175	26MAY09
2	PRODUCTION	06MAY08
ISS	ECO NUMBER	DATE

MATERIAL		DIMENSIONS IN (mm)	
MATERIAL THICKNESS			
DRAWN	HG	DATE	02APR08
CHECKED	JM	DATE	26MAY09
APPROVED	JL	DATE	26MAY09
MODEL		MHZ15	
TOLERANCE (UNLESS OTHERWISE STATED) HOLE DIA = +/- DIMENSIONAL = +/-			



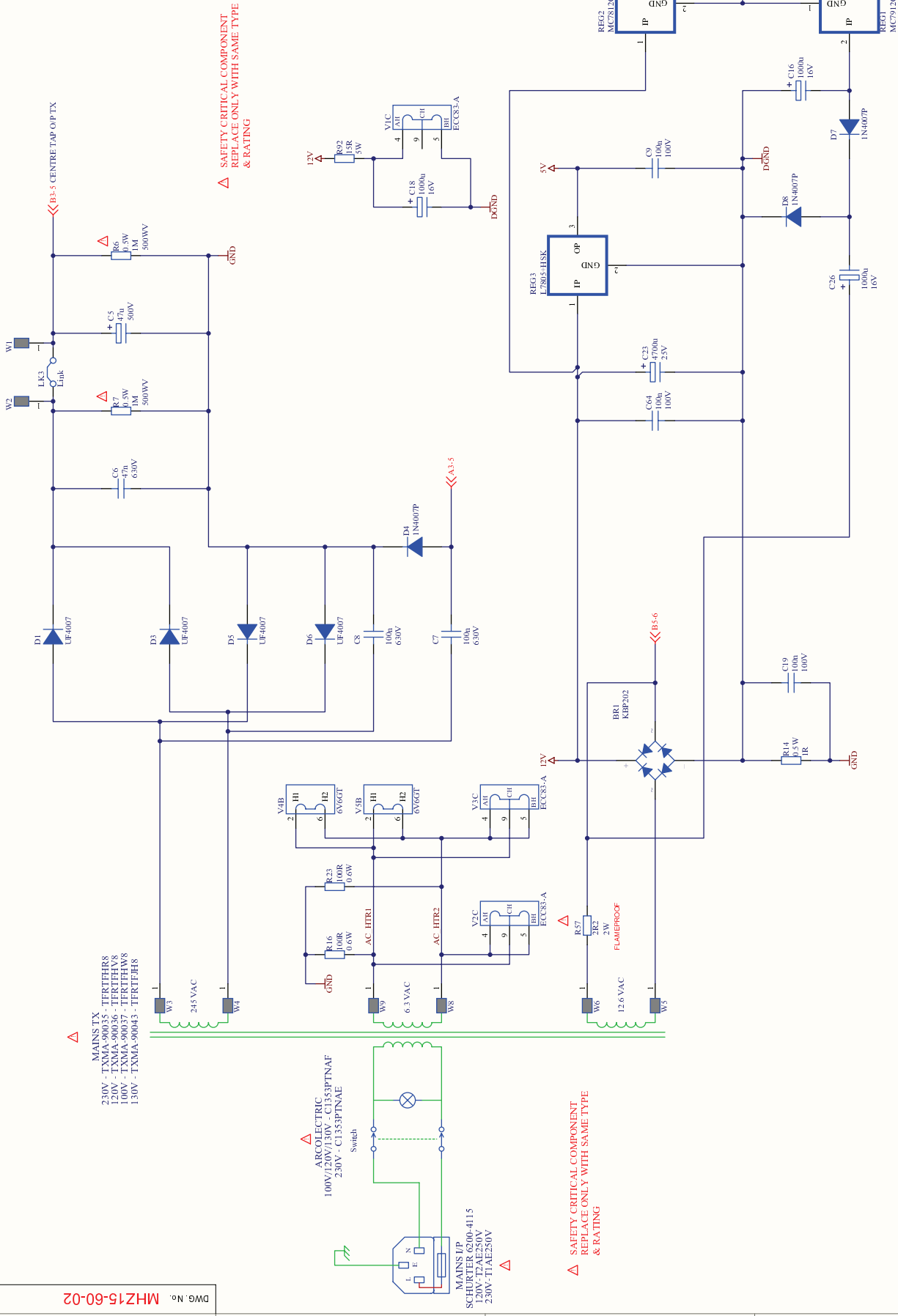
TITLE		MHZ15 PCB REAR PANEL PCB	
DWG No.	MHZ15-60-02	ISS	3
Sheet		4 of 6	
Dwg. 26/02/2009			

DWG No. **MHZ-15-60-02**

MAINS TX
 230V - TXMA-90035 - TFR1HR8
 120V - TXMA-90036 - TFR1HV8
 100V - TXMA-90037 - TFR1HW8
 130V - TXMA-90043 - TFR1FH8

ARCOLECTRIC
 100V/120V/130V - C1353PTNAF
 230V - C1353PTNAE

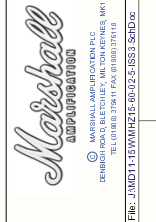
MAINS IP
 SCHURTER 6200-4115
 120V-T2AE250V
 230V-T1AE250V



△ SAFETY CRITICAL COMPONENT
 REPLACE ONLY WITH SAME TYPE
 & RATING

△ SAFETY CRITICAL COMPONENT
 REPLACE ONLY WITH SAME TYPE
 & RATING

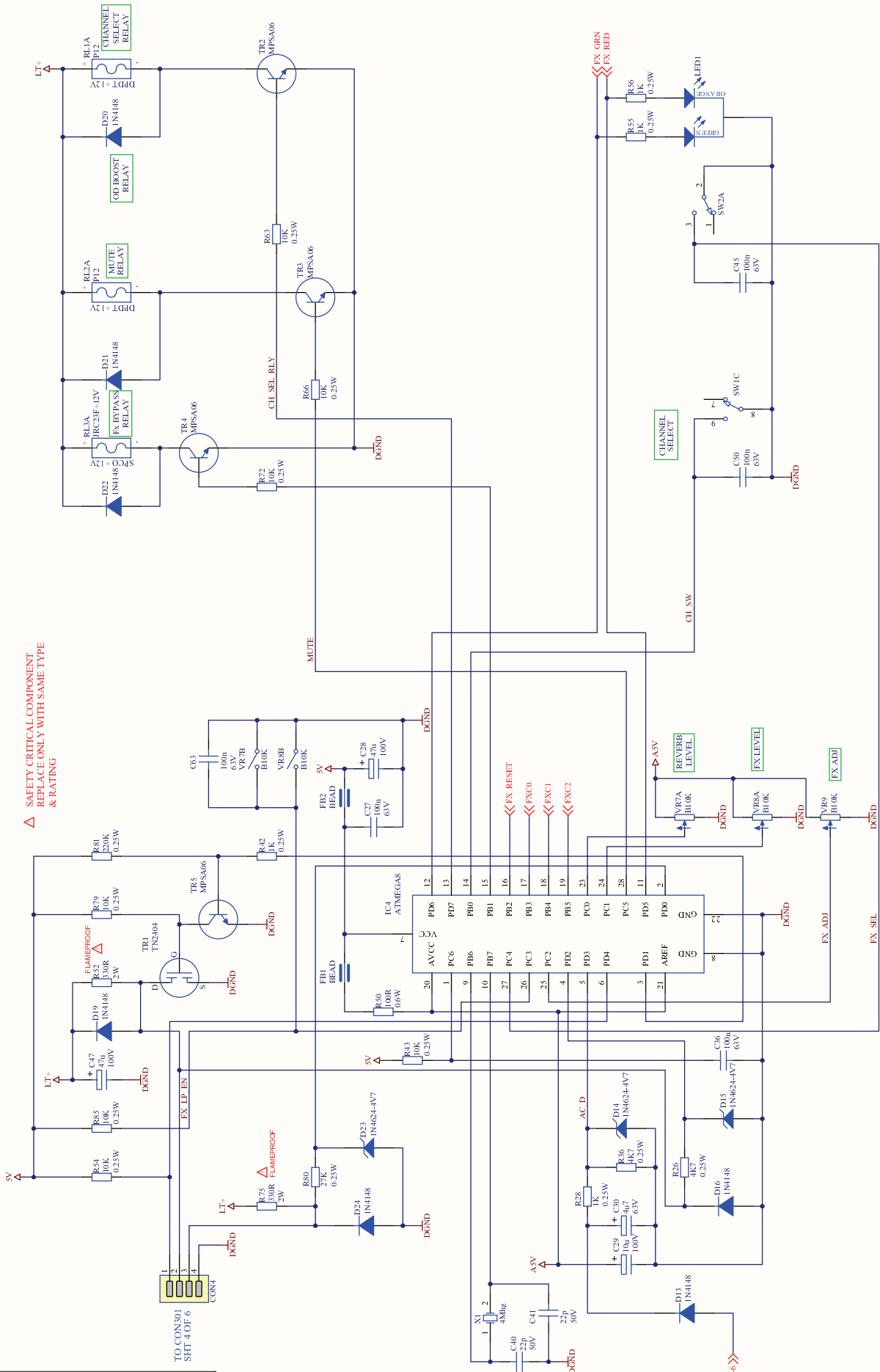
MATERIAL		DIMENSIONS IN (mm)	
TOLERANCE (UNLESS OTHERWISE STATED)			
DRAWN	HG	DATE	02APR08
CHECKED	JM	DATE	26MAY09
APPROVED	JL	DATE	26MAY09
MATERIAL THICKNESS		HOLE DIA = +/-	
DIMENSIONAL		MODEL	
		MHZ15	



MHZ15 PCB
POWER SUPPLY
 DWG No. **MHZ15-60-02**
 ISS **3**
 Sheet **5** of **6**
 Dwg. 26/02/2009

ISS	ECO NUMBER	DATE
3	3175	26MAY09
2	PRODUCTION	06MAY08

⚠ SAFETY CRITICAL COMPONENT
REPLACE ONLY WITH SAME TYPE
& RATING



3	3175	26MAY09
2	PRODUCTION	06MAY08
ISS	ECO NUMBER	DATE

MATERIAL		DIMENSIONS IN (MM)	
TOLERANCE (UNLESS OTHERWISE STATED)			
DRAWN HG		DATE 02APR08	
CHECKED JM		DATE 26MAY09	
APPROVED JL		DATE 26MAY09	
MODEL		MHZ15	
HOLE DIA = +/-		DIMENSIONAL = +/-	

TITLE		MHZ15 PCB	
DWG No.		MHZ15-60-02	
ISS		3	
Sheet		6 of 6	

