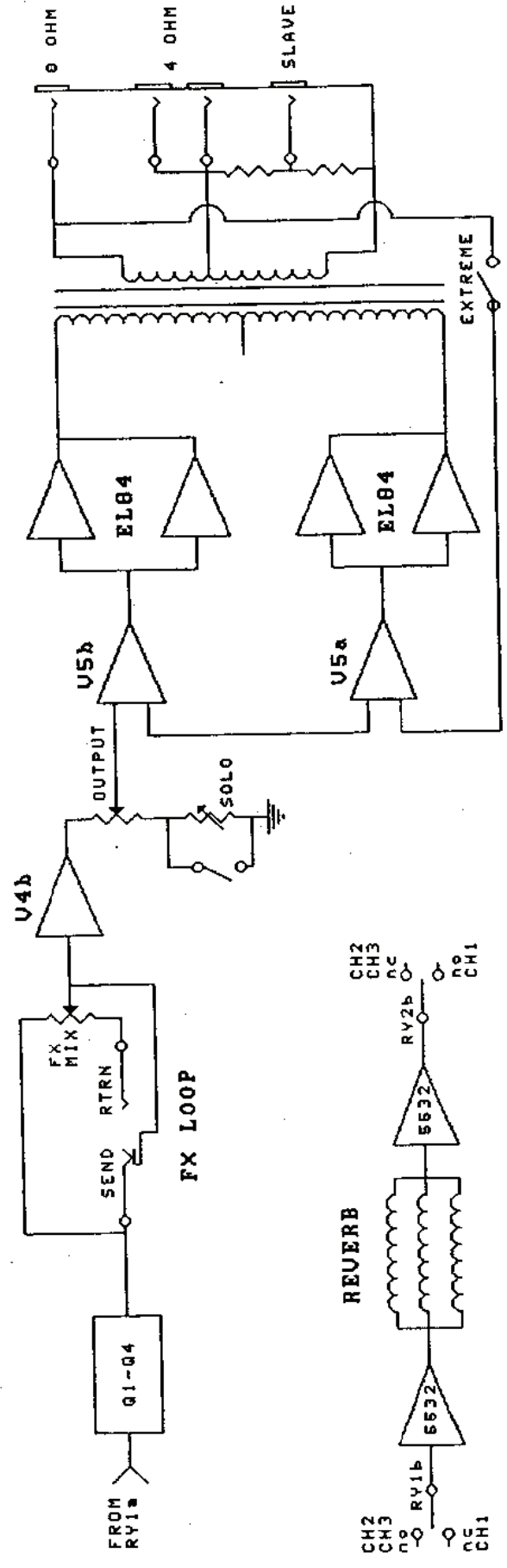
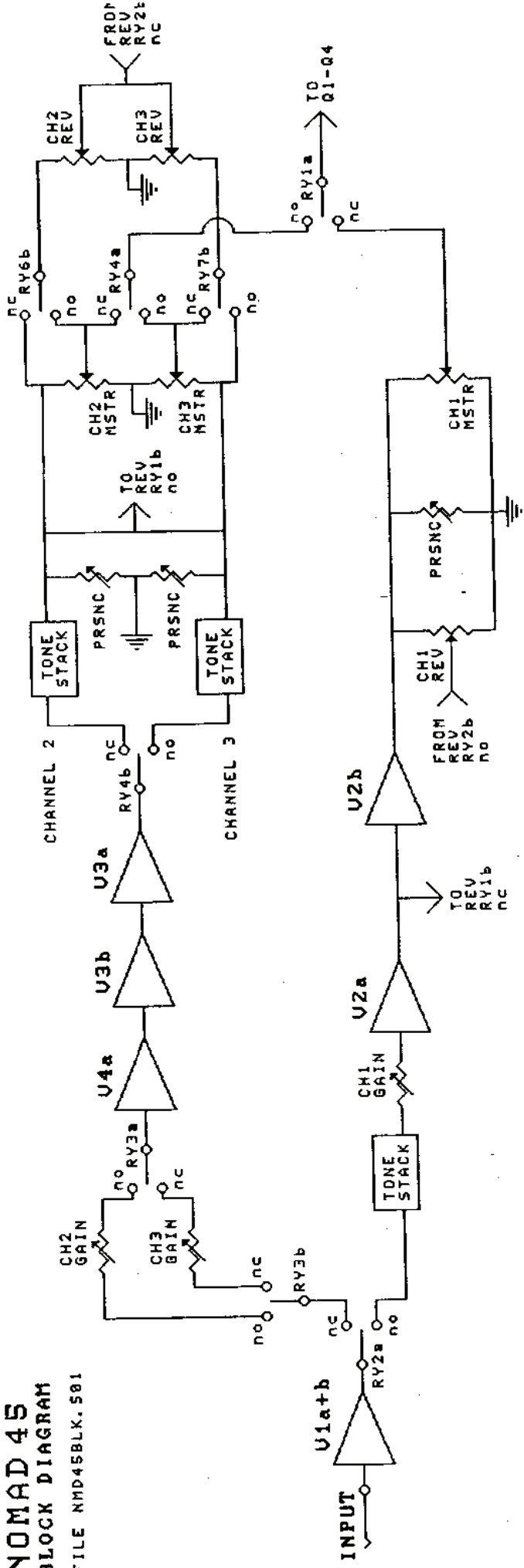
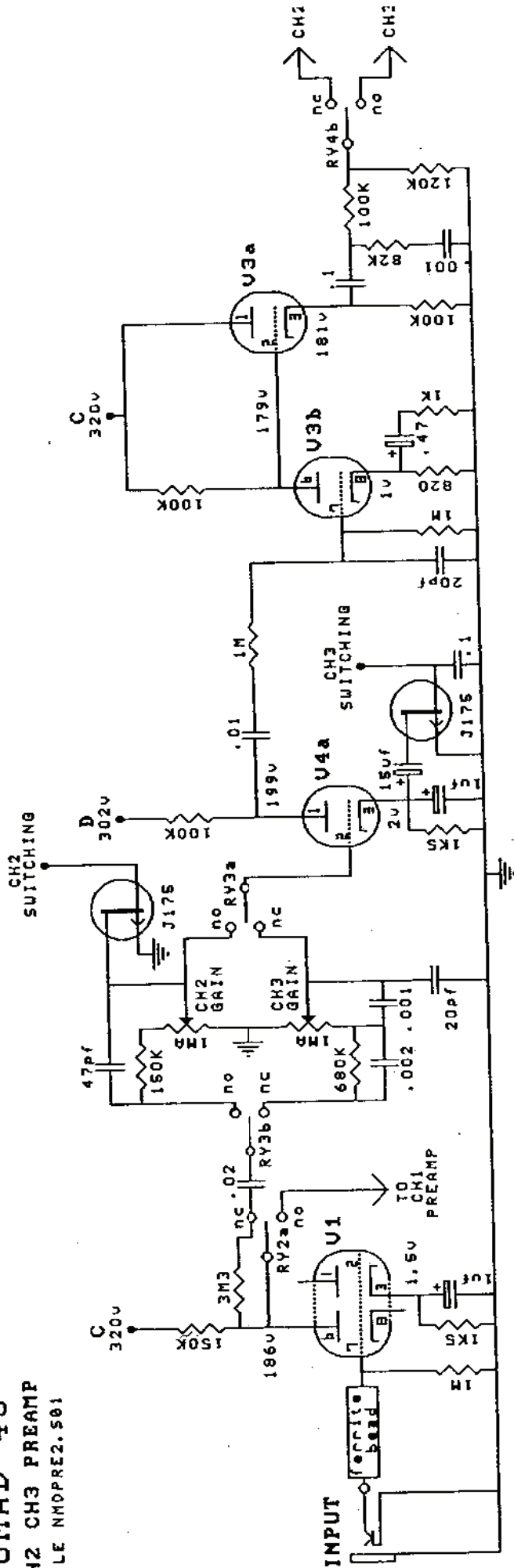


**MESA-BOOGIE**  
**NOMAD 45**  
 BLOCK DIAGRAM  
 FILE NMD45BLK.591





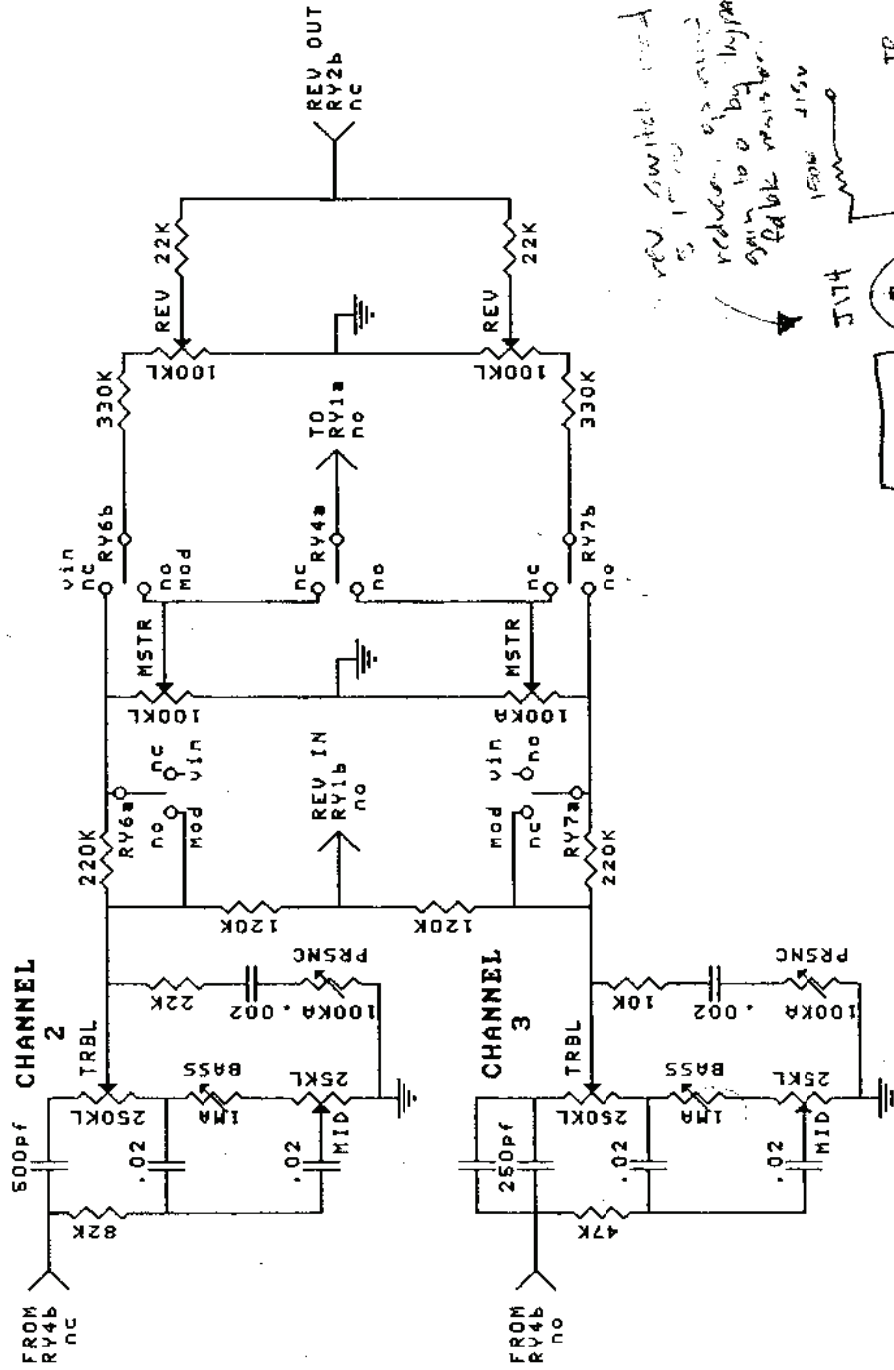
MESA-BOOGIE  
NOMAD 45  
CH2 CH3 PREAMP  
FILE NMDPRE2.501



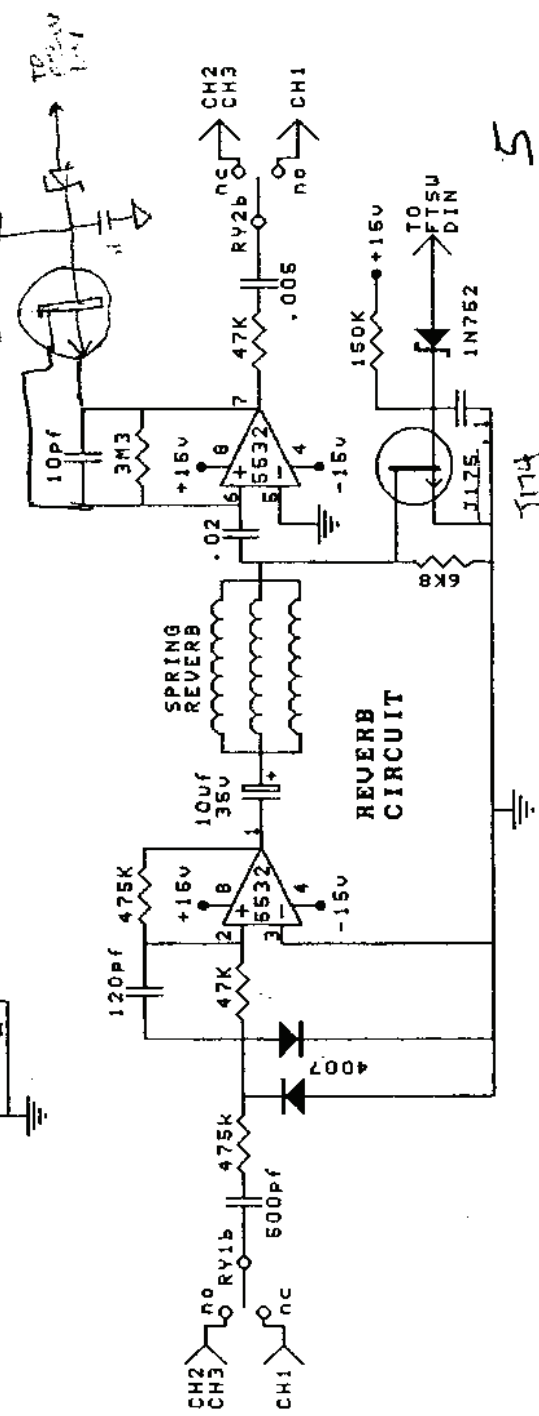
RV45  
CH1 - 0V  
CH2 - 0V  
CH3 - 0V

**MESA-BOOGIE  
NOMAD  
CH2 CH3 PREAMP PT2  
REVERB**

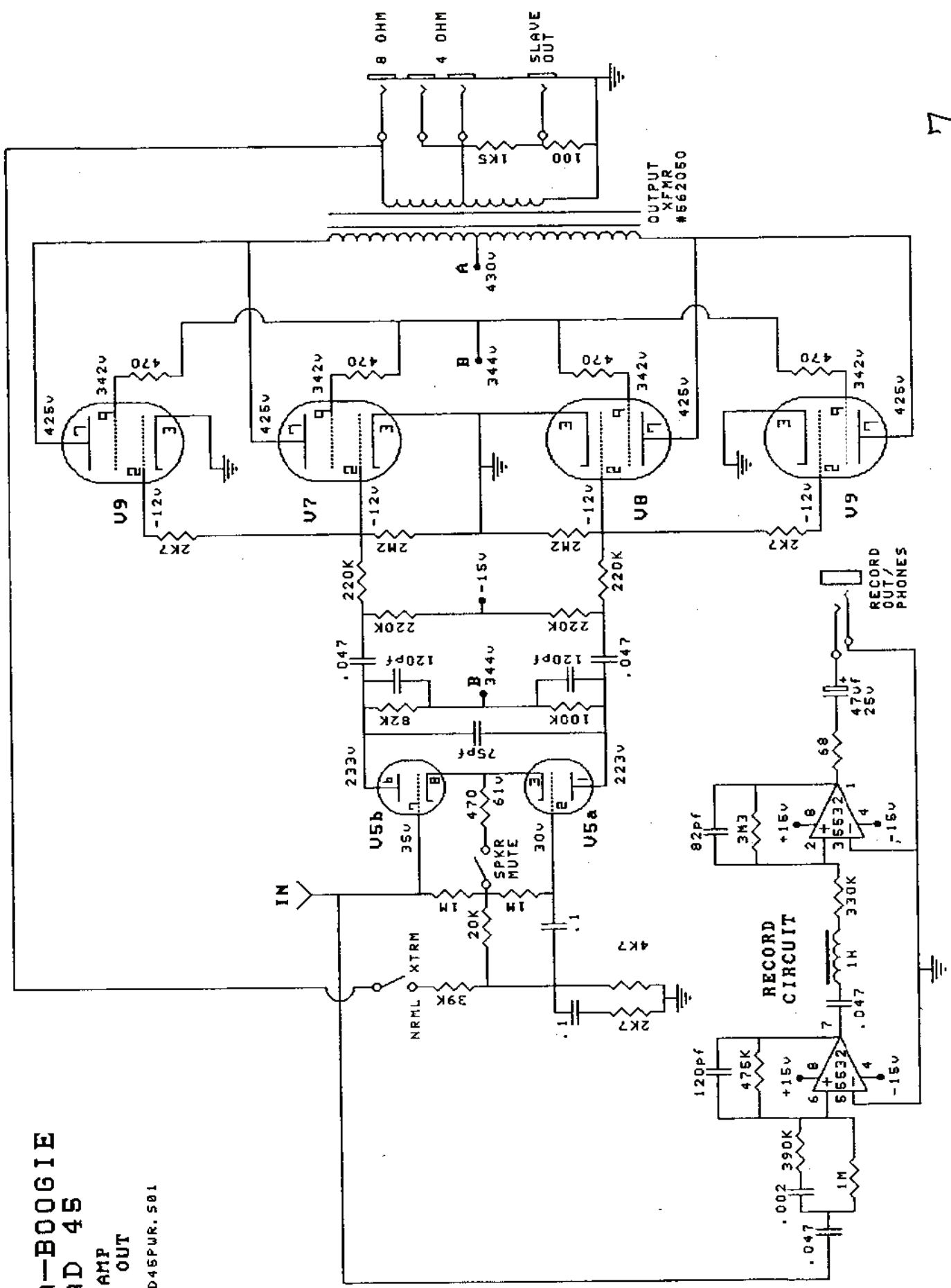
FILE NMDPRE3.501



*REV switch used  
to reduce gain by bypassing  
150K resistor*

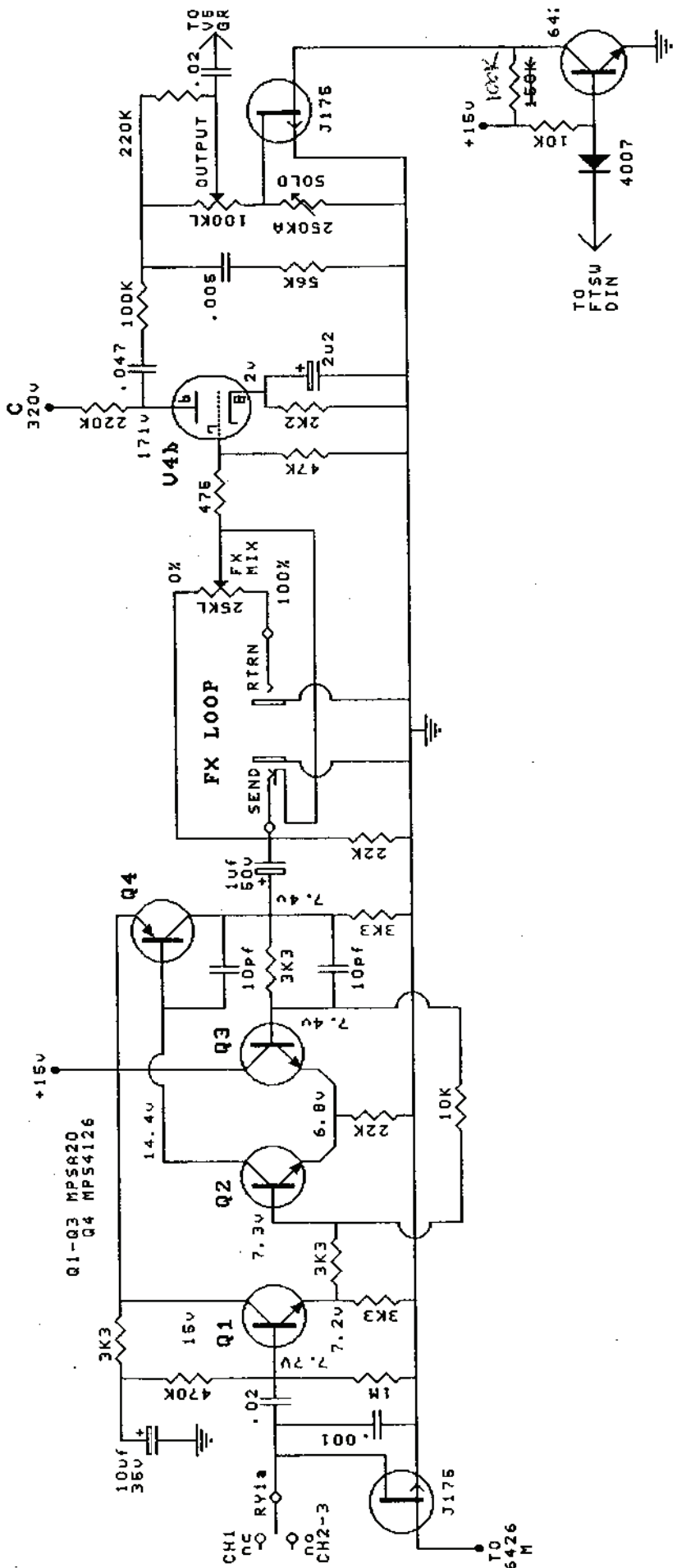


**MESA-BOOGIE**  
**NOMAD 45**  
 POWER AMP  
 RECORD OUT  
 FILE NMD45PUR.501

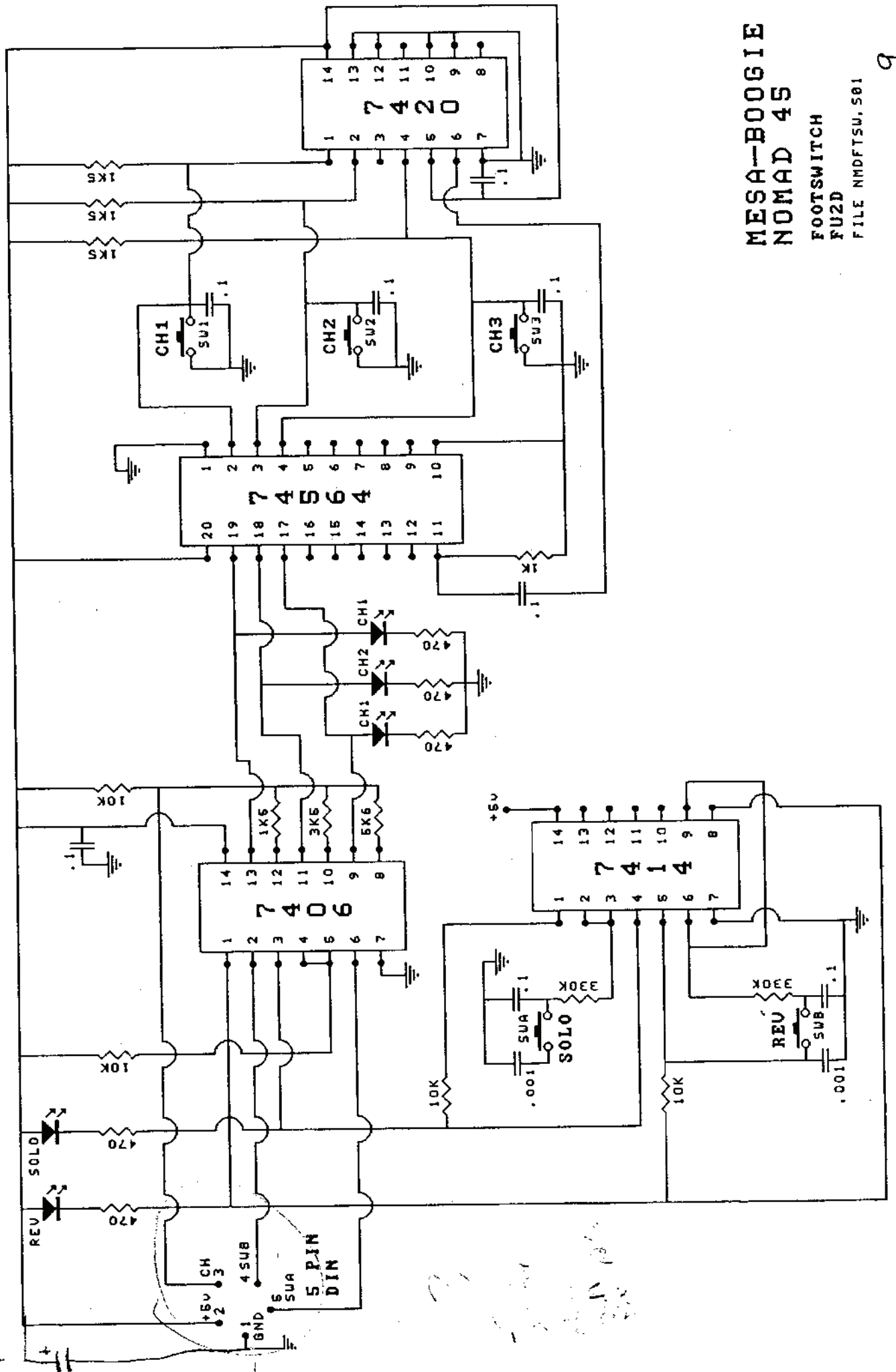


MESA-BOOGIE  
 NOMAD 45

FX LOOP  
 FILE NMDPRE4.501

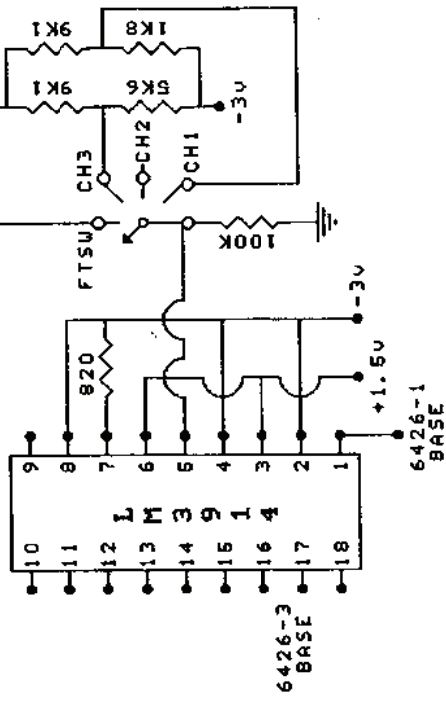


10/6V



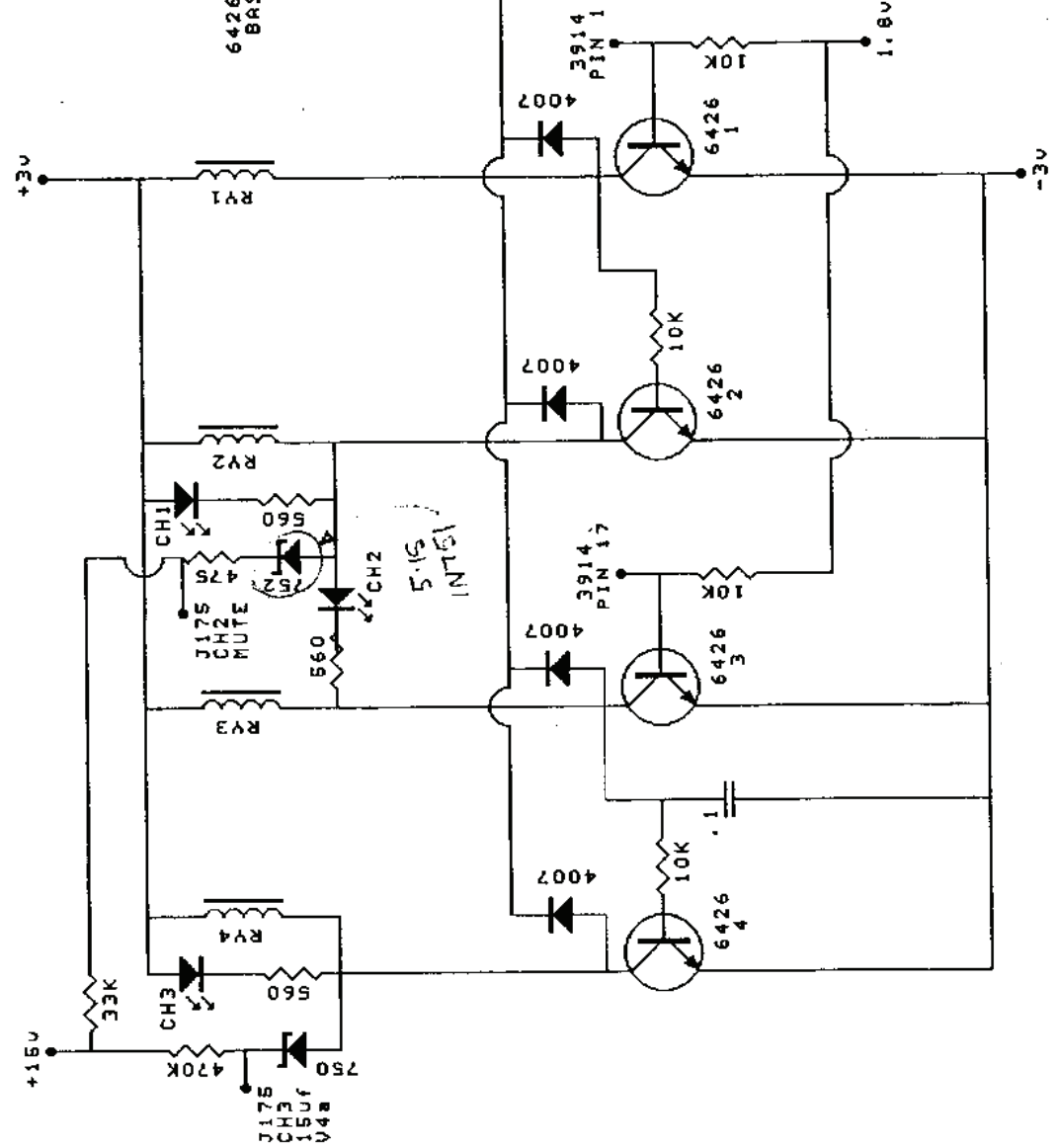
MESA-BOOGIE  
NOMAD 45  
FOOTSWITCH  
FU2D  
FILE NMDFTSU, S01

**MESA-BOOGIE  
NOMAD 45  
SWITCHING MATRIX**  
FILE NMD5U.501



LM3914 Pin 5 Voltages

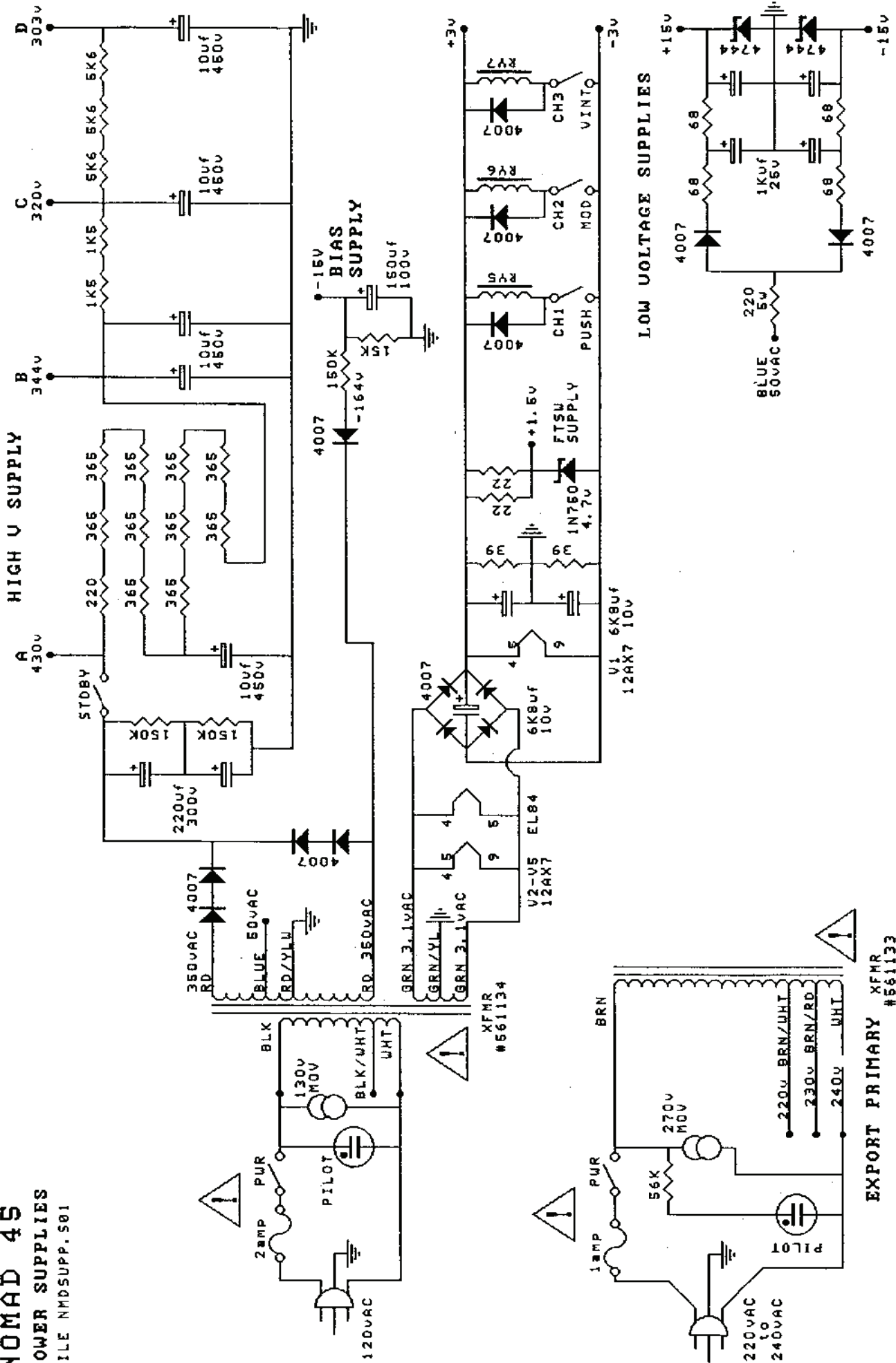
Channel	Voltage
FTSU	-2.6V
CH1	-1.3V
CH2	1.3V
CH3	-1.6V
ROTIARY	-2.6V
	0V
	-1.4V



MUTE CIRCUITRY  
PATENT PENDING



**MESA-BOOGIE  
NOMAD 45  
POWER SUPPLIES**  
FILE NMDSUPP.S01



EXPORT PRIMARY XFMR #561133