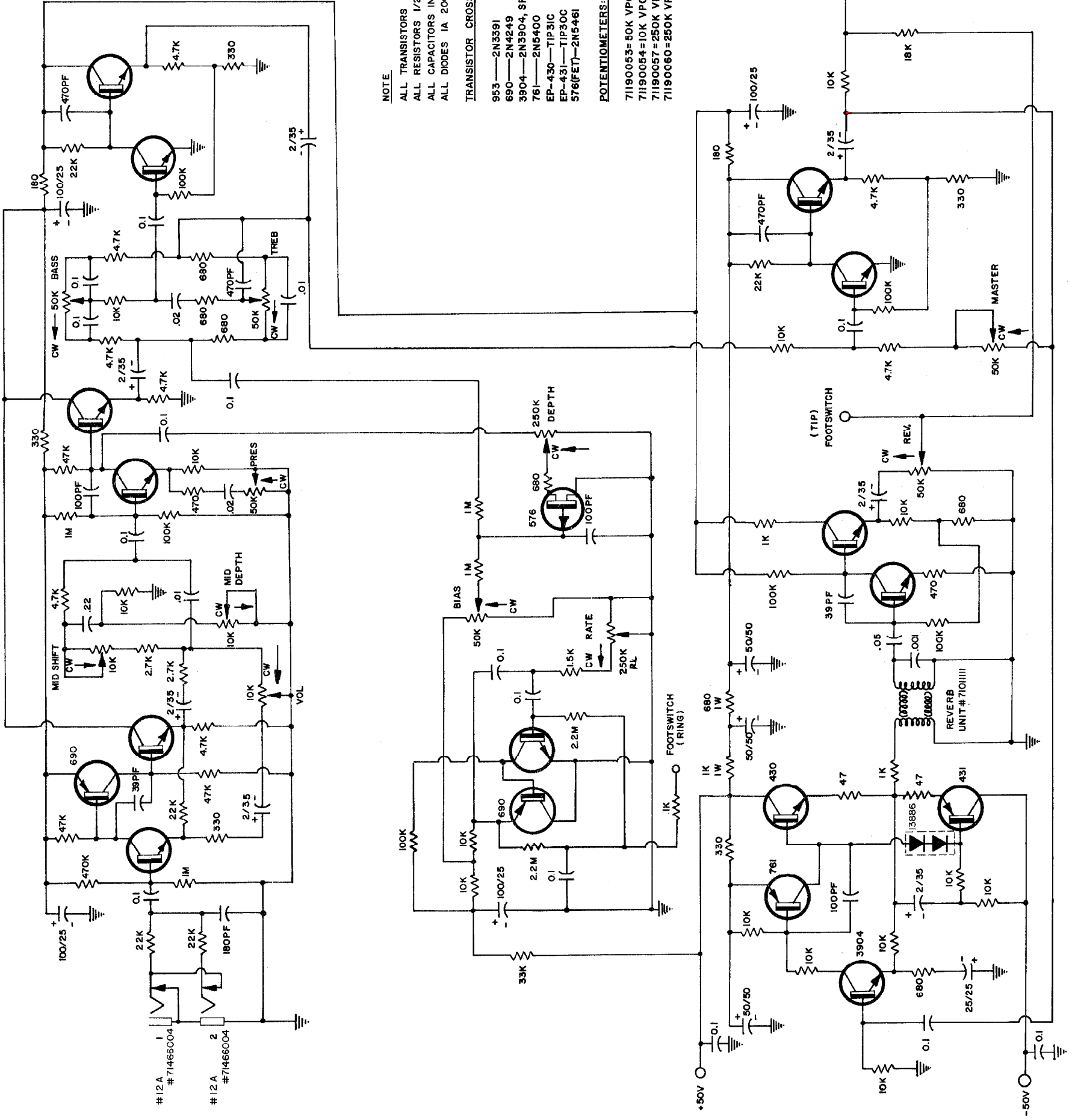


PEAVEY ELECTRONICS CORP.  
 MERIDIAN, MS  
 DRAWN BY: RMH DATE 10-24-74  
 CHECKED BY: J.C.B.  
 APPROVED BY: X.D.P.

# LTD/SESSION 400 PREAMP

P/N 81505165



**NOTE**  
 ALL TRANSISTORS SPS953 UNLESS NOTED  
 ALL RESISTORS 1/2W UNLESS NOTED  
 ALL CAPACITORS IN MFD UNLESS NOTED  
 ALL DIODES IA 200V PIV UNLESS NOTED

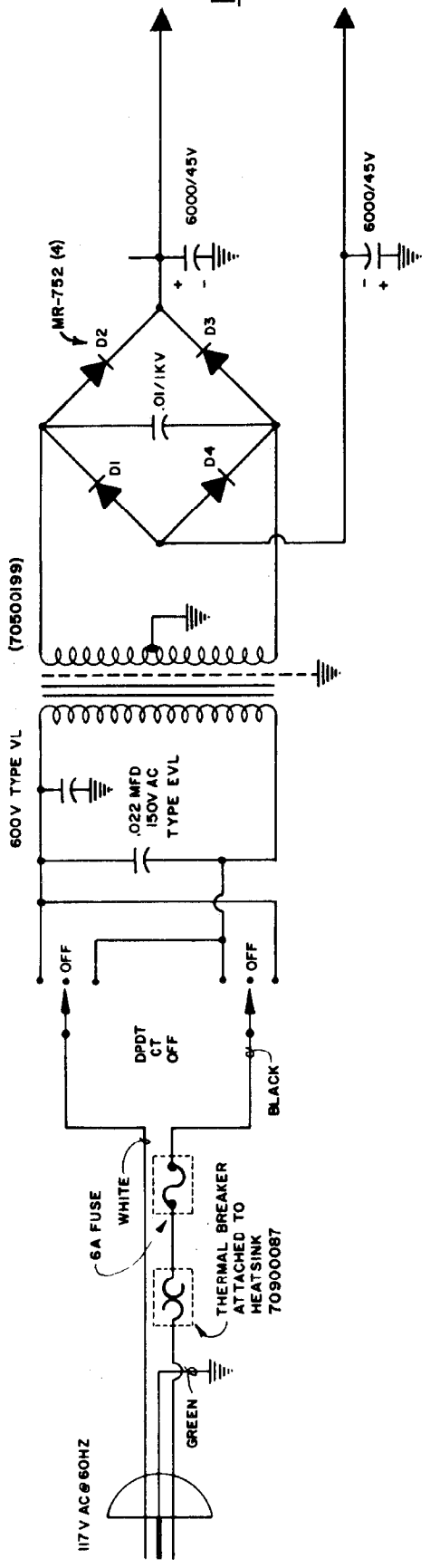
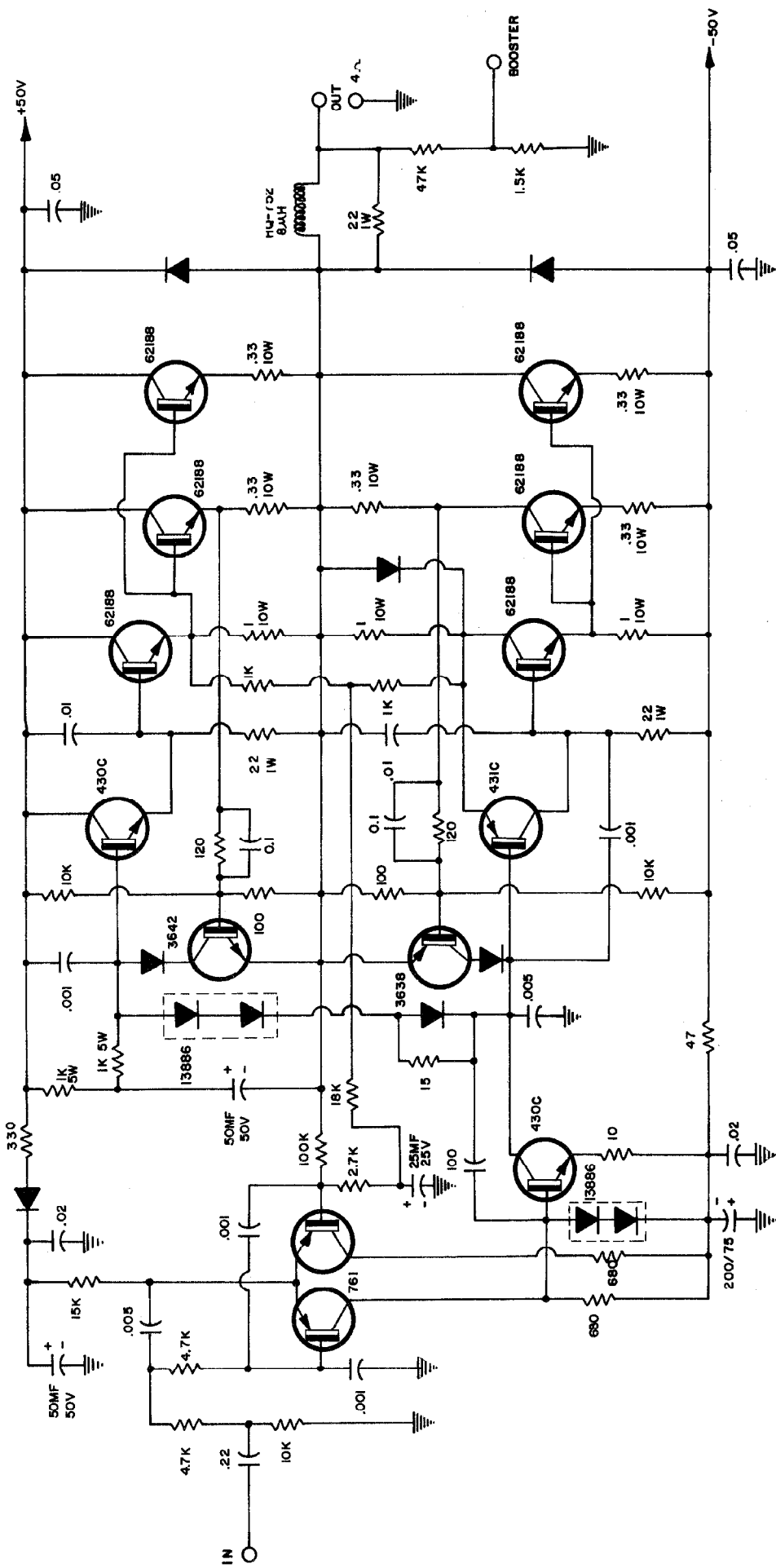
**TRANSISTOR CROSS REFERENCE LIST**  
 953 — 2N3391  
 690 — 2N4249  
 3904 — 2N3904, SPS-7239  
 761 — 2N5400  
 EP-430 — TIP31C  
 EP-431 — TIP30C  
 576(FET) — 2N5461

**POTENTIOMETERS:**  
 71190053 = 50K VPC LIN  
 71190054 = 10K VPC LIN  
 71190057 = 250K VPC LIN  
 71190060 = 250K VPC R. AUD.

COPYRIGHT 1974 PEAVEY ELECTRONICS CORP. PRINTED IN U.S.A.

TRANSISTOR CROSS REFERENCE LIST

761——2N5400  
 3642——2N3642  
 3638——2N3638  
 EP-430——TIP 31C  
 EP-431——TIP 30C  
 62188——2N3773  
 13886——M22361



LTD/SESSION 400 POWER AMP  
 (200 WATTS RMS)

PEAVEY ELECTRONICS CORP.  
 MERIDIAN, MS  
 DRAWN BY: RMH DATE 10-24-74  
 CHECKED BY: JCB  
 APPROVED BY: HDP