

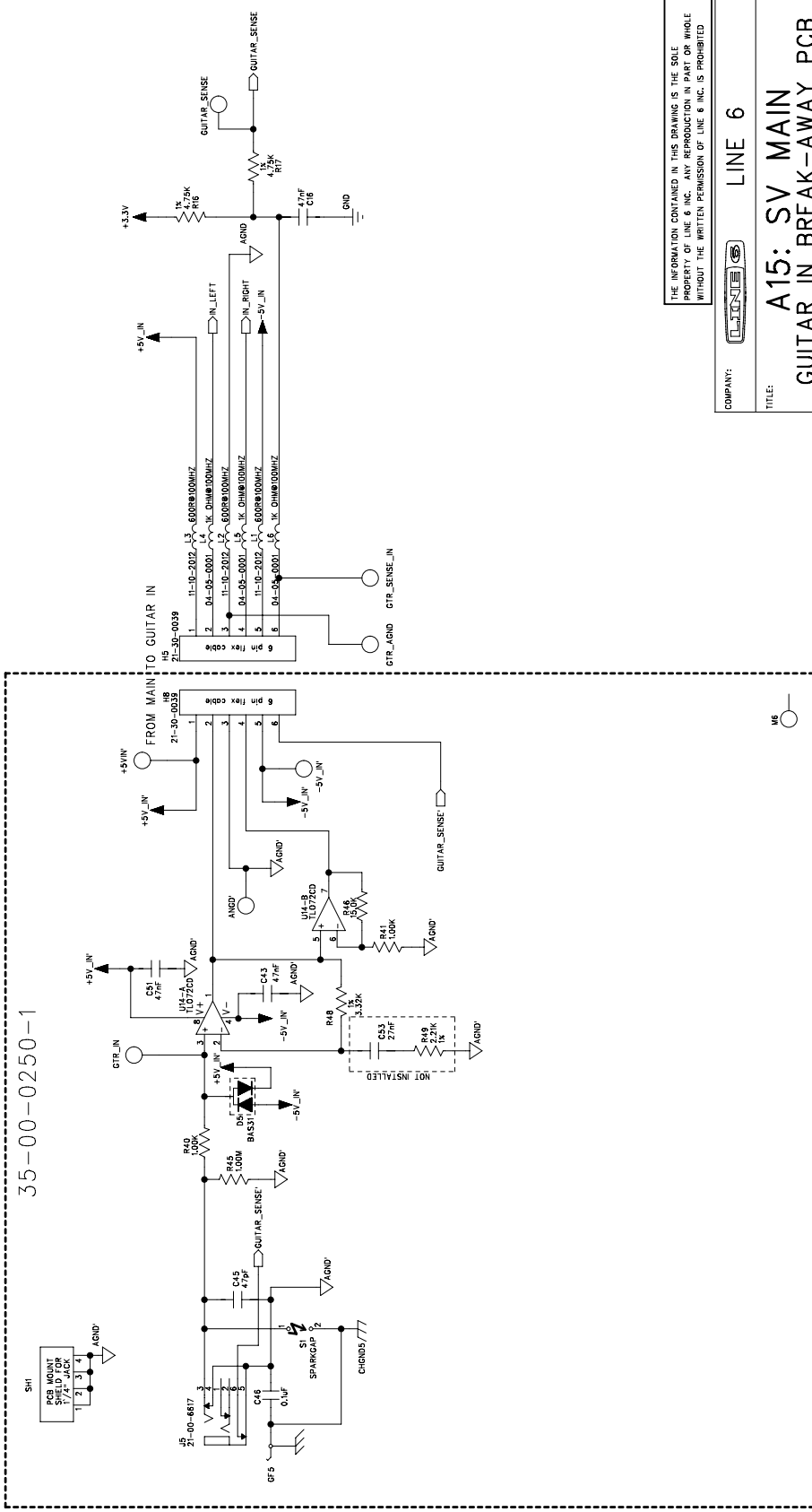
1 2 3 4 5 6

D C B A

ECOs INCLUDED ON THIS SCHEMATIC/PCB REVISION	
ECO NO:	DESCRIPTION:
0775903	06.08.07 Released as rev.A

GUITAR IN BREAK-AWAY PCB

35-00-0250-1



THE INFORMATION CONTAINED IN THIS DRAWING IS THE SOLE PROPERTY OF LINE 6 INC. ANY REPRODUCTION IN PART OR WHOLE WITHOUT THE WRITTEN PERMISSION OF LINE 6 INC. IS PROHIBITED.

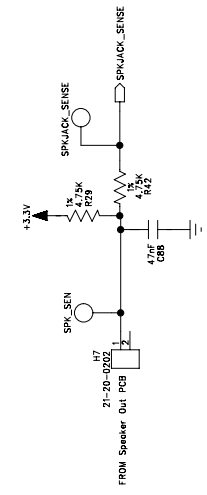
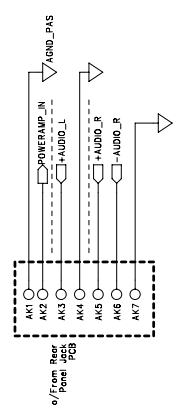
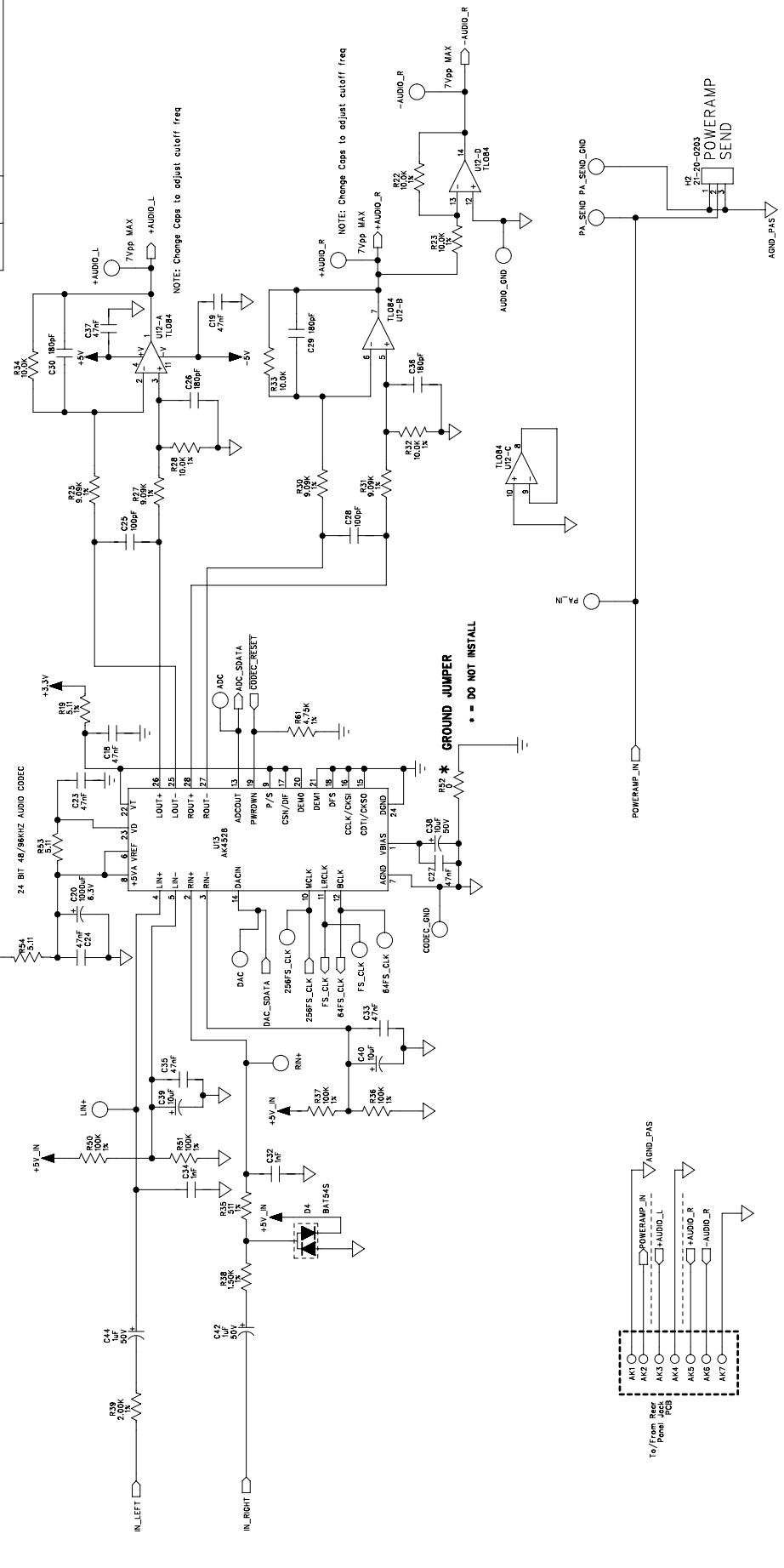
COMPANY:	LINE 6
TITLE:	A15: SV MAIN GUITAR IN BREAK-AWAY PCB
PROGRAM:	PADS POWER LOGIC 2004
REV:	A
FILENAME:	
DRAWN:	G. Kirtley/ D Mohler
CHECKED:	review panel
DATE:	06/08/2007
SCALE:	1:1
SHEET:	C
PART NUMBER:	35-00-0250
SHEET:	1 of 6

CODEC/DIROUT/PASEND/ETC

1 2 3 4 5 6

ECOs INCLUDED ON THIS SCHEMATIC/PCB REVISION	
ECO NO:	DATE:
DESCRIPTION:	

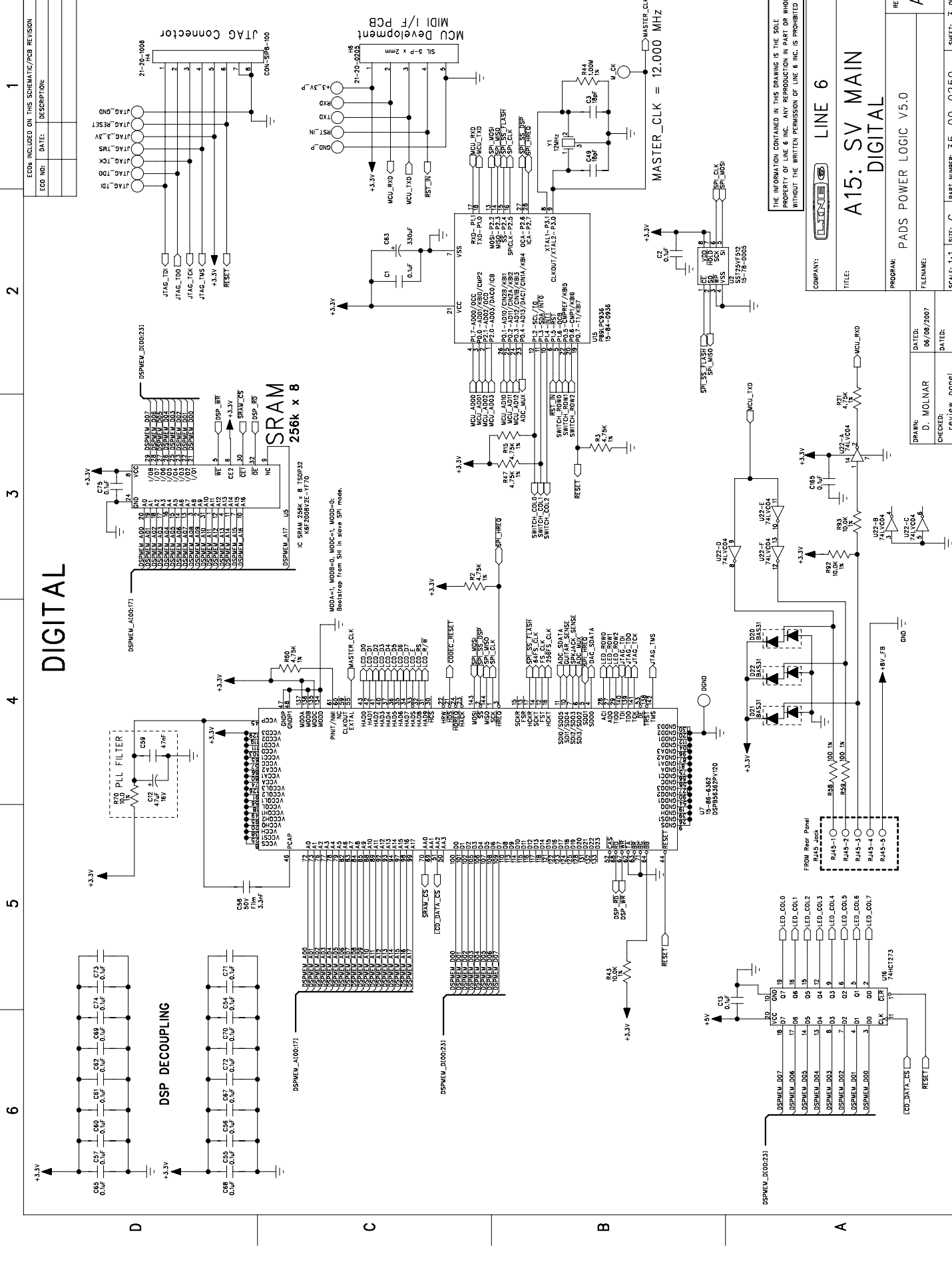
COREC Outputs Are:
2.7Vpp Max / 5.4Vpp diff Max



THE INFORMATION CONTAINED IN THIS DRAWING IS THE SOLE PROPERTY OF LINE 6 INC. ANY REPRODUCTION IN PART OR WHOLE WITHOUT THE WRITTEN PERMISSION OF LINE 6 INC. IS PROHIBITED.

COMPANY: LINE 6	
TITLE: A15: SV MAIN	
PROGRAM: PADS POWER LOGIC 2004	REV: A
FILENAME:	
DRAWN: G. Kirtley / D. McIner	DATE: 06/08/2007
CHECKED: review panel	DATE:
SCALE: 1:1	SHEET: C
PART NUMBER: 35-00-0250	SHEET: 2 of 6

DIGITAL



ECOs INCLUDED ON THIS SCHEMATIC/PCB REVISION

ECO NO:	DATE:	DESCRIPTION:

COMPANY: LINE 6

THE INFORMATION CONTAINED IN THIS DRAWING IS THE SOLE PROPERTY OF LINE 6 INC. ANY REPRODUCTION IN PART OR WHOLE WITHOUT THE WRITTEN PERMISSION OF LINE 6 INC. IS PROHIBITED.

TITLE: A15: SV MAIN

DIGITAL

PROGRAM: PADS POWER LOGIC V5.0

COMPONENT: LINE 6

FILENAME: A

REVISION: A

DRAWN: D. MOLNAR

CHECKED: review panel

DATE: 06/08/2007

SHEET: 1 of 6

PART NUMBER: 35-00-0250

SHEET: 3 of 6

DATE: 06/08/2007

DATE:

1

2

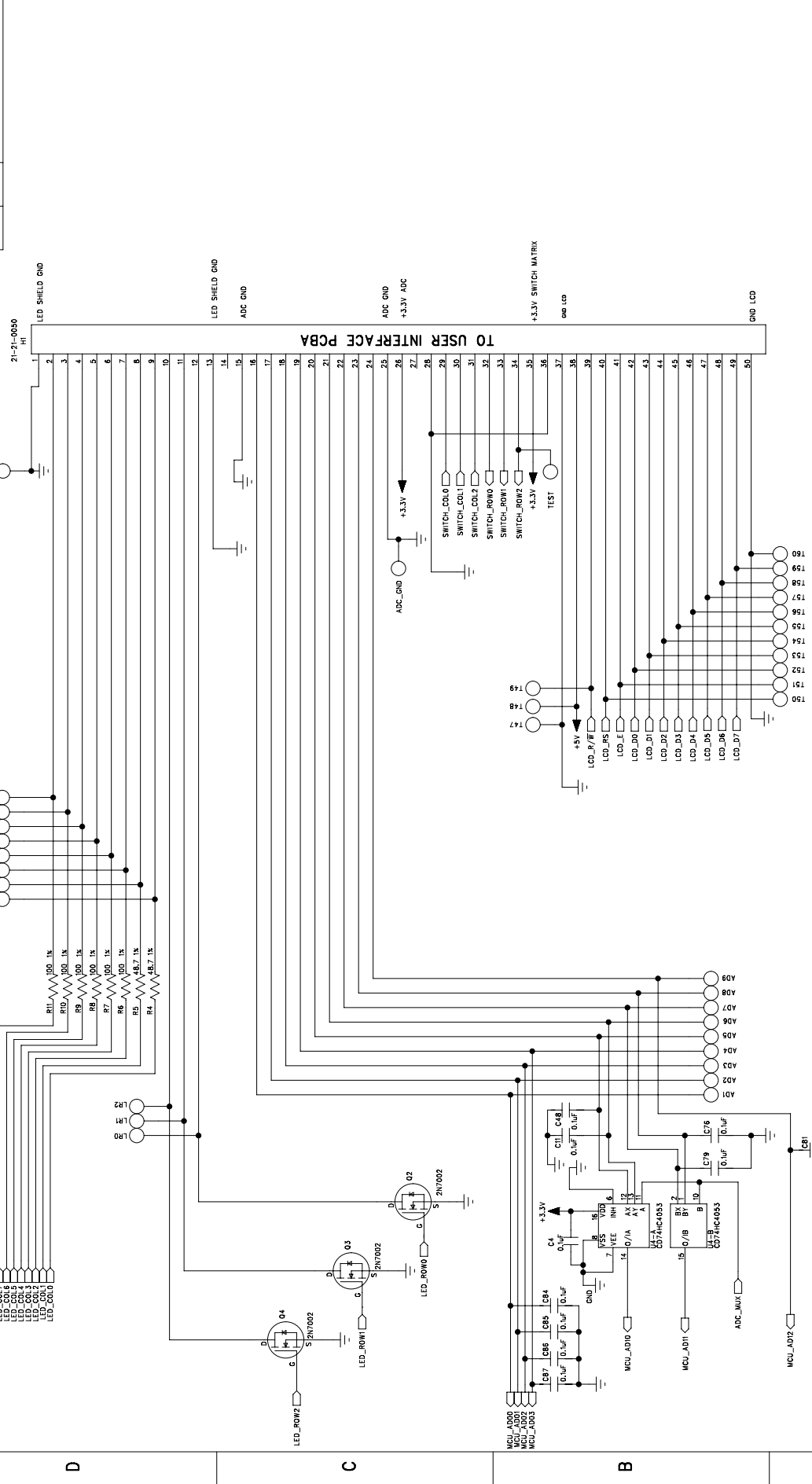
3

4

5

6

ECOs INCLUDED ON THIS SCHEMATIC/PCB REVISION	
ECO NO:	DATE:
DESCRIPTION:	



THE INFORMATION CONTAINED IN THIS DRAWING IS THE SOLE PROPERTY OF LINE 6 INC. ANY REPRODUCTION IN PART OR WHOLE WITHOUT THE WRITTEN PERMISSION OF LINE 6 INC. IS PROHIBITED.

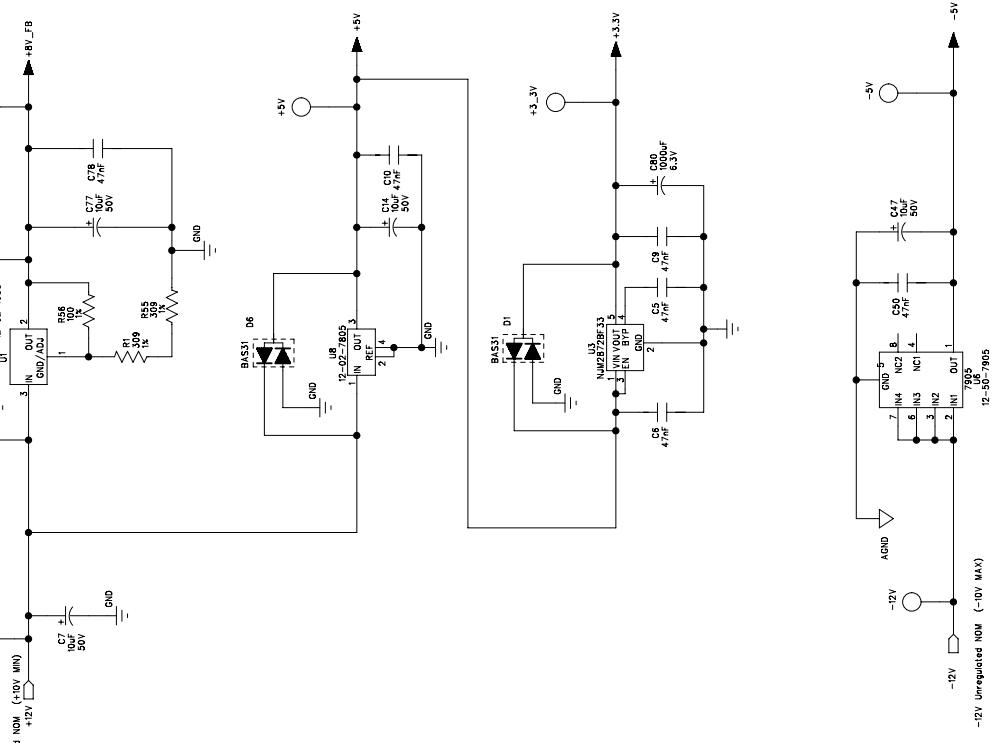
COMPANY:	LINE 6
TITLE:	A15: SV MAIN INTERFACE
PROGRAM:	PADS POWER LOGIC 2004
REV:	A
FILENAME:	
SCALE:	1:1
SHEET:	C
PART NUMBER:	35-00-0250
SHEET:	4 of 6

DRAWN:	D. MOLNAR	DATED:	06/08/2007
CHECKED:	review panel	DATED:	

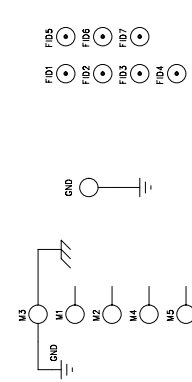
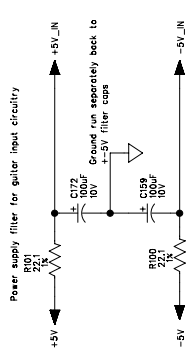
1 2 3 4 5 6

POWER

ECOs INCLUDED ON THIS SCHEMATIC/PCB REVISION	
ECD NO:	DATE:
DESCRIPTION:	



GND and ACND connected at supply

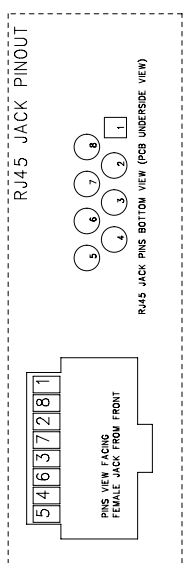
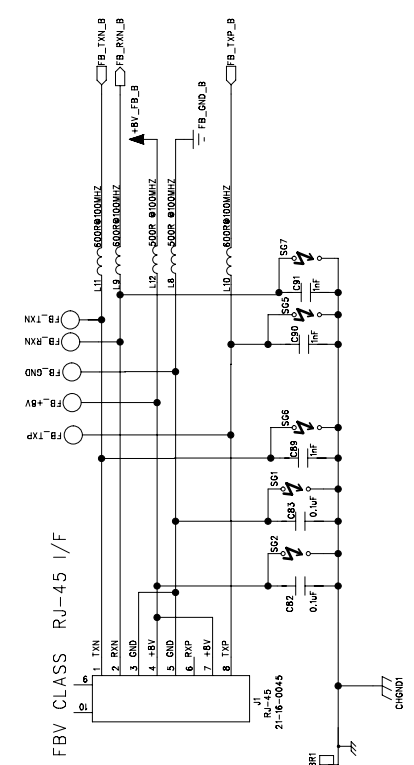
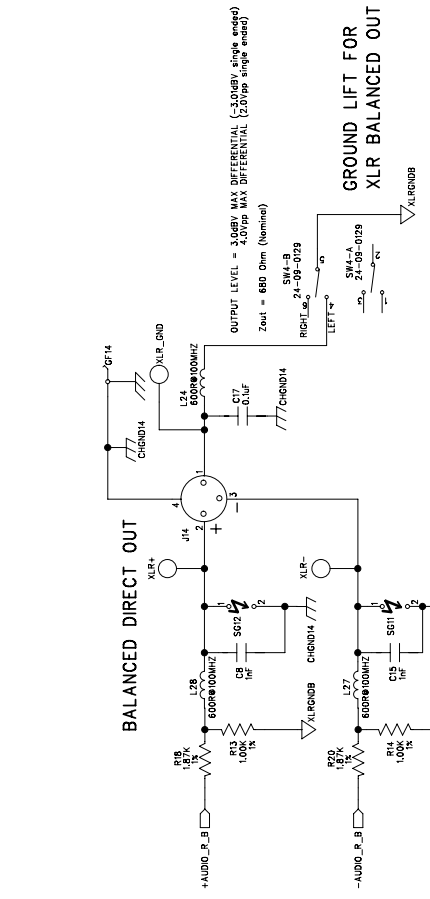
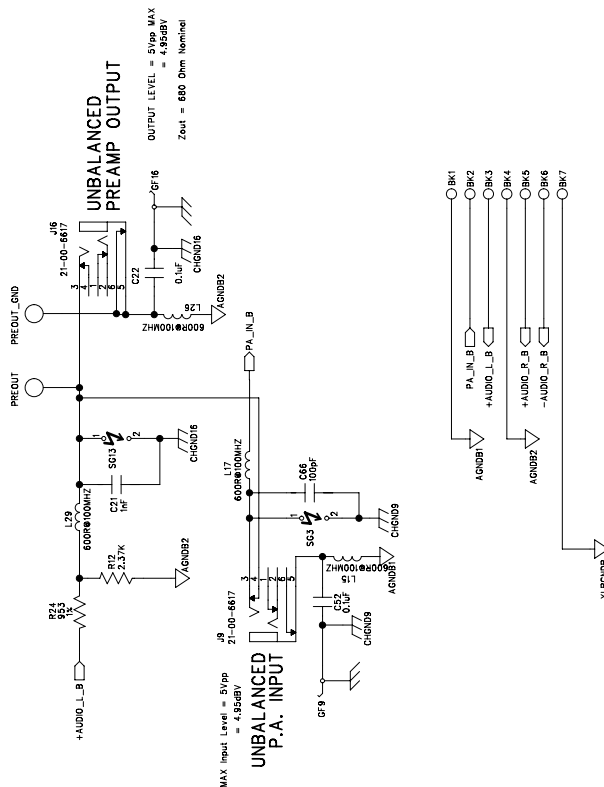


THE INFORMATION CONTAINED IN THIS DRAWING IS THE SOLE PROPERTY OF LINE 6 INC. ANY REPRODUCTION IN PART OR WHOLE WITHOUT THE WRITTEN PERMISSION OF LINE 6 INC. IS PROHIBITED.

COMPANY:	LINE 6
TITLE:	A15: SV MAIN POWER
PROGRAM:	PADS POWER LOGIC 2004
REV:	A
FILENAME:	
SCALE:	1:1
SHEET:	C
PART NUMBER:	35-00-0250
SHEET:	5 of 6

DRAWN:	DATED:
D. Mohr / C. Kirtley	06/08/2007
CHECKED:	DATED:
review panel	

ECOS INCLUDED ON THIS SCHEMATIC/PCB REVISION
 ECO NO: DATE: DESCRIPTION:



THE INFORMATION CONTAINED IN THIS DRAWING IS THE SOLE PROPERTY OF LINE 6 INC. ANY REPRODUCTION IN PART OR WHOLE WITHOUT THE WRITTEN PERMISSION OF LINE 6 INC. IS PROHIBITED.

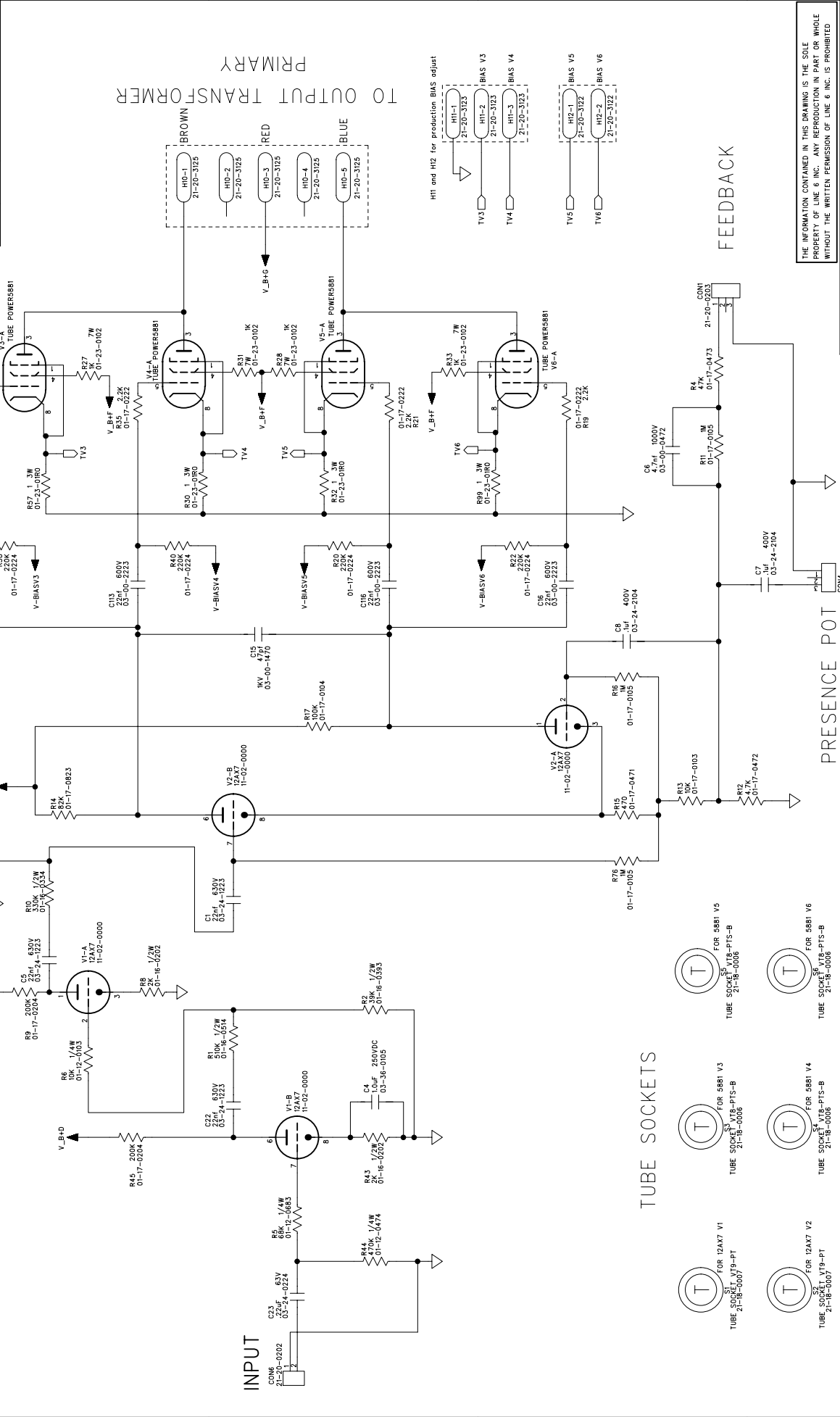
COMPANY: **LINE 6**
 TITLE: **A15: SV MAIN REAR PANEL JACKS BREAKAWAY PCB**
 PROGRAM: **PADS LOGIC 2004**
 REV: **A**

DRAWN: **D. MOLNAR** DATED: **06/08/2007**
 CHECKED: **review panel** DATED:

PRELIMINARY DRAWINGS FOR QUOTATION PURPOSES ONLY DO NOT USE FOR PRODUCTION

SCALE: **1:1** SHEET: **C** PART NUMBER: **35-00-0250-2** SHEET: **6 of 6**

ECO# INCLUDED ON THIS SCHEMATIC/PCB REVISION	
ECO NO:	DESCRIPTION:
DATE:	



COMPANY: **LINE**

TITLE: **A15: SV100 POWERAMP-SUPPLY**

PROGRAM: **PADS LOGIC 2004**

SCALE: 1:1 SIZE: C PART NUMBER: 35-00-0245 SHEET: 1 OF 2

DESIGN BY **REINHOLD BOGNER**

DATE: 8/7/2007

DRAWN: **D. MOLNAR**

CHECKED: **review panel**

FILENAME: **A**

PRELIMINARY DRAWINGS FOR QUOTATION PURPOSES ONLY DO NOT USE FOR PRODUCTION

BOARD MOUNTING HOLES

MT1 MT2 MT3 MT4 MT5 MT6 MT7 MT8 MT9 MT10 MT11 MT12 MT13

TUBE SOCKETS

FOR 12AX7 V1 TUBE SOCKET V19-PT 21-B-0067

FOR 12AX7 V2 TUBE SOCKET V18-PTS-B 21-B-0066

FOR 5881 V3 TUBE SOCKET V18-PTS-B 21-B-0066

FOR 5881 V4 TUBE SOCKET V18-PTS-B 21-B-0066

FOR 5881 V5 TUBE SOCKET V18-PTS-B 21-B-0066

FOR 5881 V6 TUBE SOCKET V18-PTS-B 21-B-0066

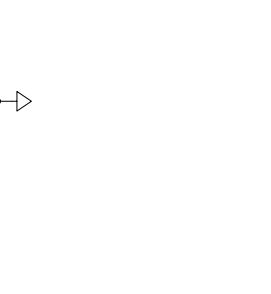
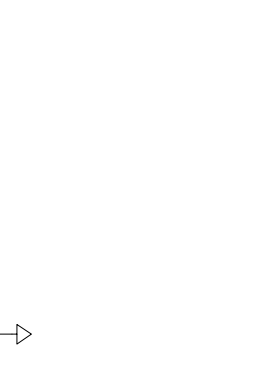
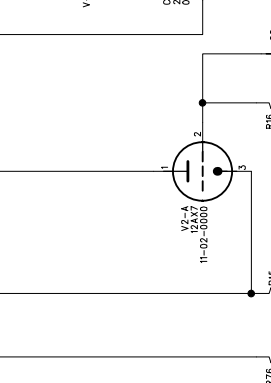
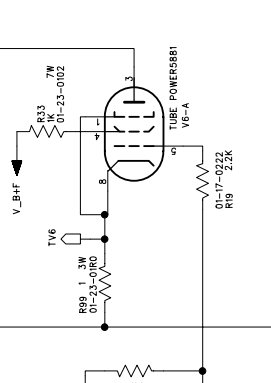
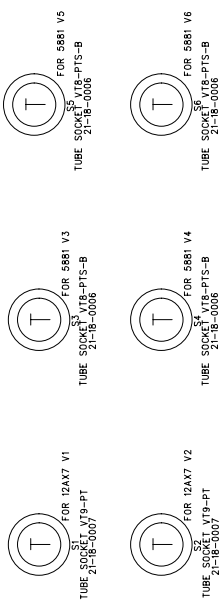
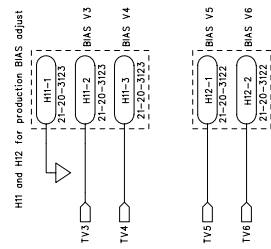
THE INFORMATION CONTAINED IN THIS DRAWING IS THE SOLE PROPERTY OF LINE & INC. ANY REPRODUCTION IN PART OR WHOLE WITHOUT THE WRITTEN PERMISSION OF LINE & INC. IS PROHIBITED.

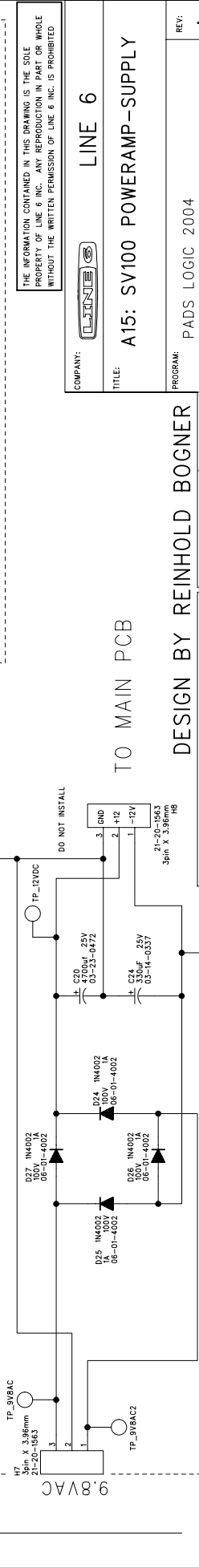
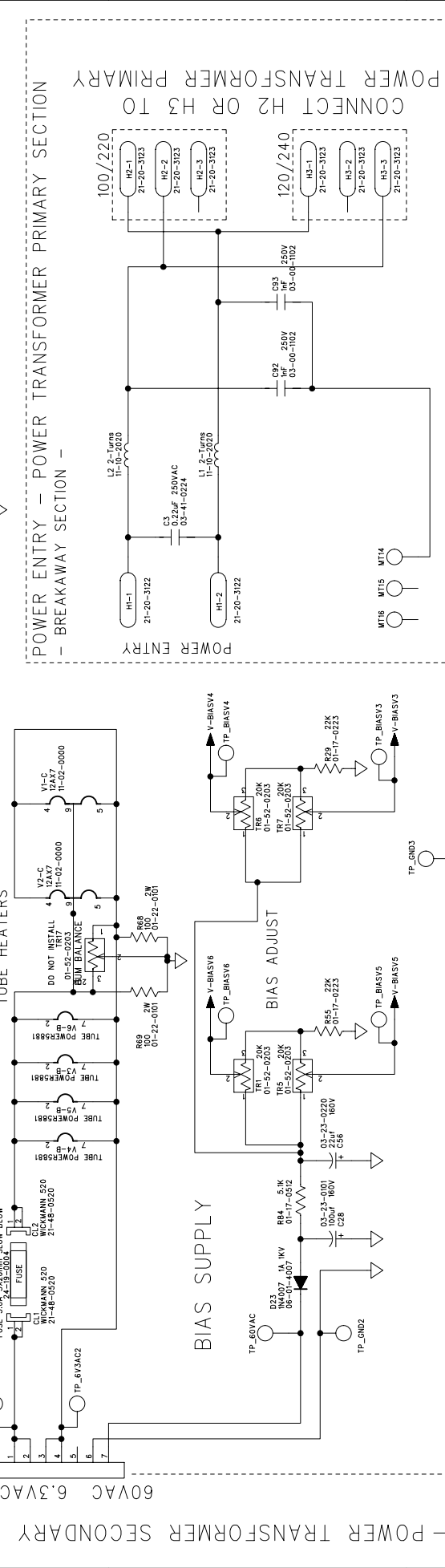
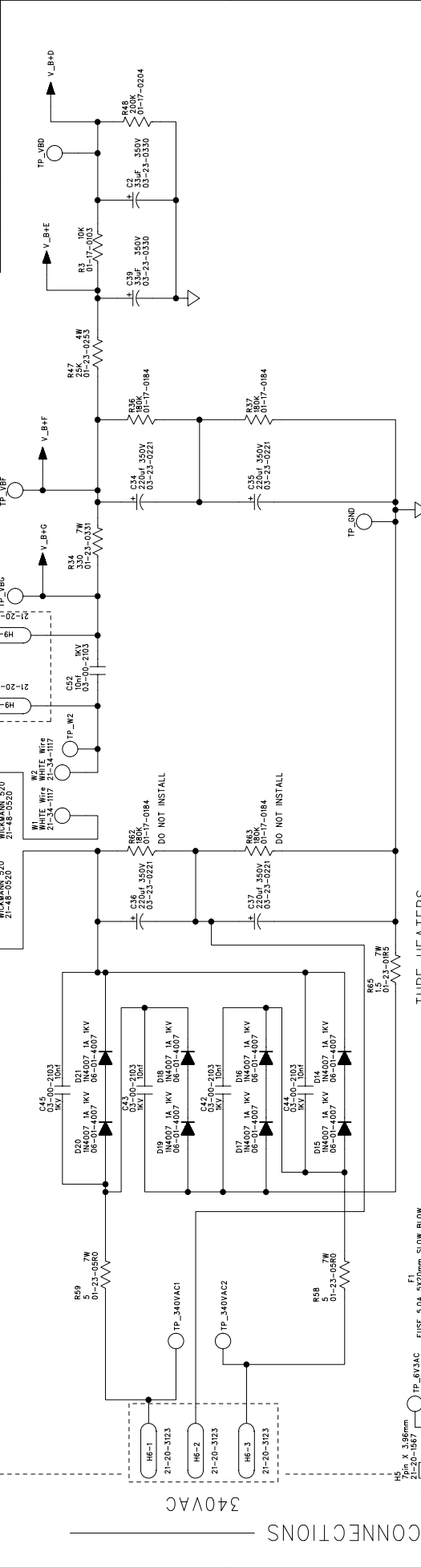
TO OUTPUT TRANSFORMER PRIMARY

FEEDBACK

PRESENCE POT

INPUT





POWER TRANSFORMER SECONDARY CONNECTIONS

TO STANDBY SWITCH

POWER ENTRY - POWER TRANSFORMER PRIMARY SECTION

POWER ENTRY - BREAKAWAY SECTION

BIAS SUPPLY

BIAS ADJUST

TO MAIN PCB

PRELIMINARY DRAWINGS FOR QUOTATION PURPOSES ONLY DO NOT USE FOR PRODUCTION

DESIGN BY REINHOLD BOGNER

DATE: 8/7/2007

DRAWN: D. Molnar

CHECKED:

PROGRAM: PADS LOGIC 2004

FILENAME:

SCALE: 1:1

SIZE: C

PART NUMBER: 35-00-0245

SHEET: 2 OF 2

1

2

3

4

5

6

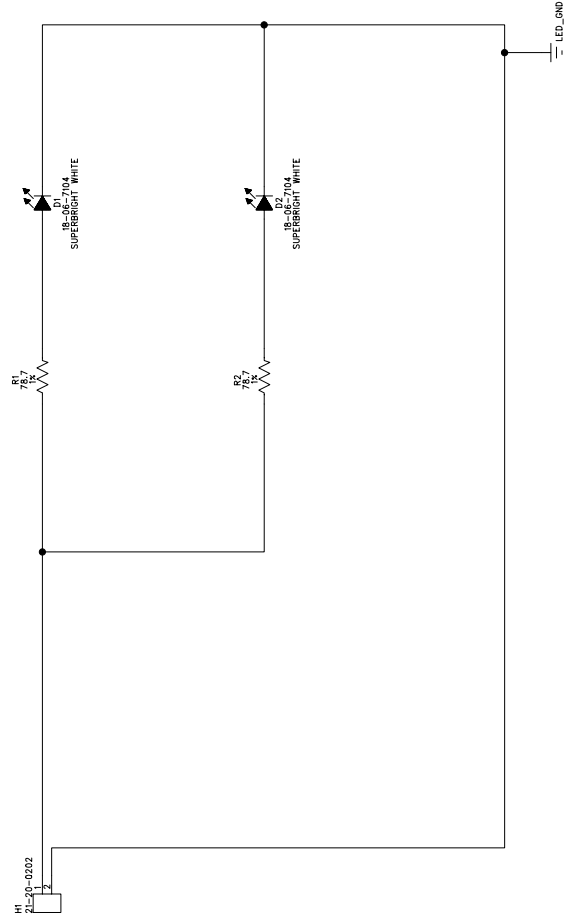
D

C

B

A

ECCO: INCLUDED ON THIS SCHEMATIC/PCB REVISION	
ECCO NO:	DATE:
	DESCRIPTION:



THE INFORMATION CONTAINED IN THIS DRAWING IS THE SOLE PROPERTY OF LINE 6 INC. ANY REPRODUCTION IN PART OR WHOLE WITHOUT THE WRITTEN PERMISSION OF LINE 6 INC. IS PROHIBITED.

COMPANY:	LINE 6
TITLE:	A15: SV LED BOARD
PROGRAM:	PADS LOGIC 2004
REV:	A
FILENAME:	
SCALE: 1:1	SHEET: 1 OF 1
	PART NUMBER: 35-00-0249

DRAWN:	D. MOLNAR	DATED:	7/3/2007
CHECKED:	review panel	DATED:	
<p>PRELIMINARY DRAWINGS FOR QUOTATION PURPOSES ONLY DO NOT USE FOR PRODUCTION</p>			

D

C

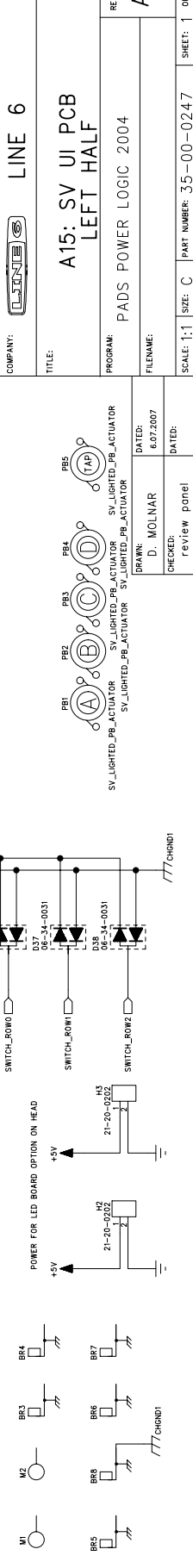
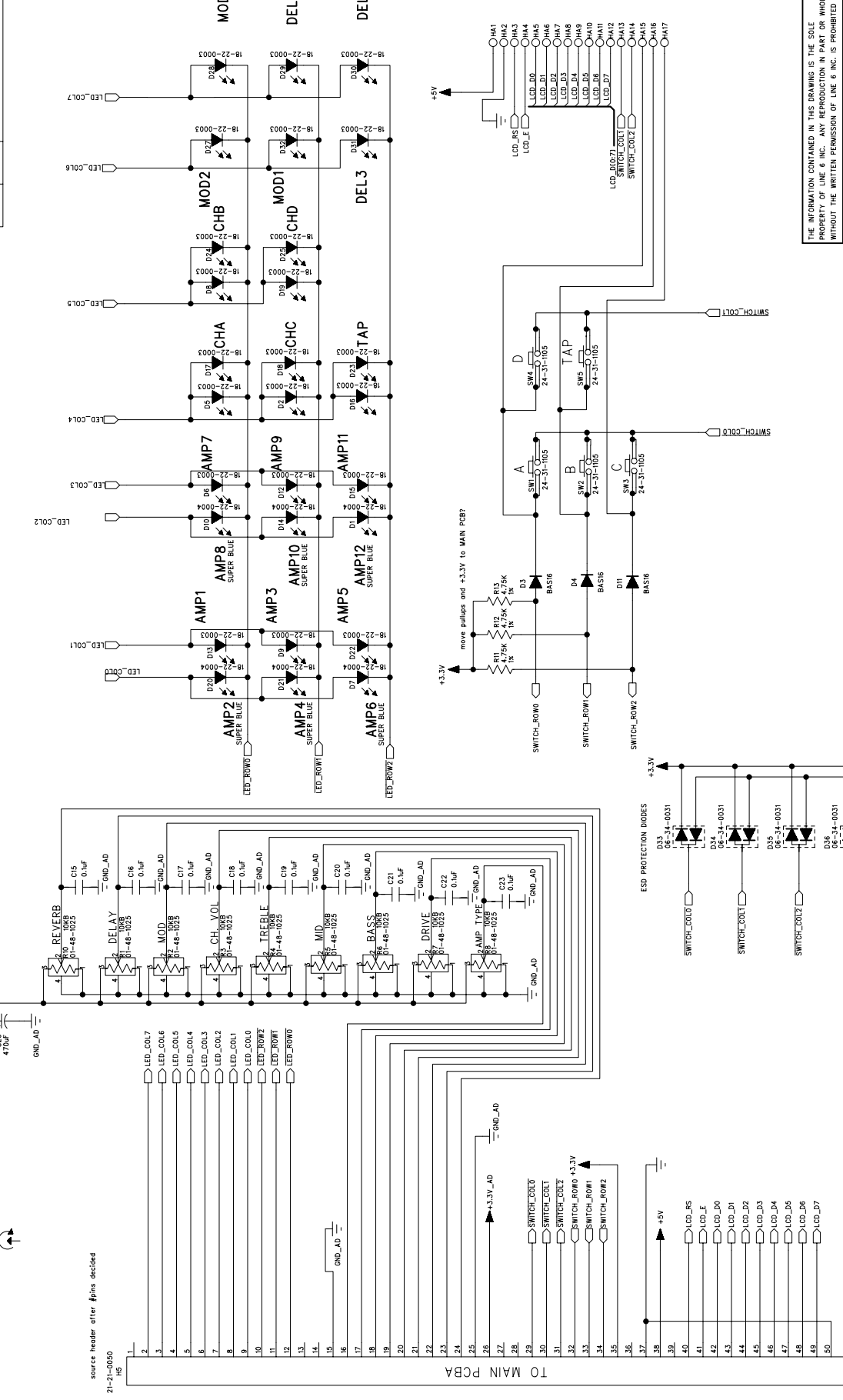
B

A

All Pots - Linear Taper

USER INTERFACE

ECOs INCLUDED ON THIS SCHEMATIC/PCB REVISION	
ECO NO:	DATE:
DESCRIPTION:	



COMPANY: LINE 6

TITLE: A15: SV UI PCB LEFT HALF

PROGRAM: PADS POWER LOGIC 2004

REV: A

FILENAME:
 DRAWN: D. MOLNAR
 DATED: 6.07.2007

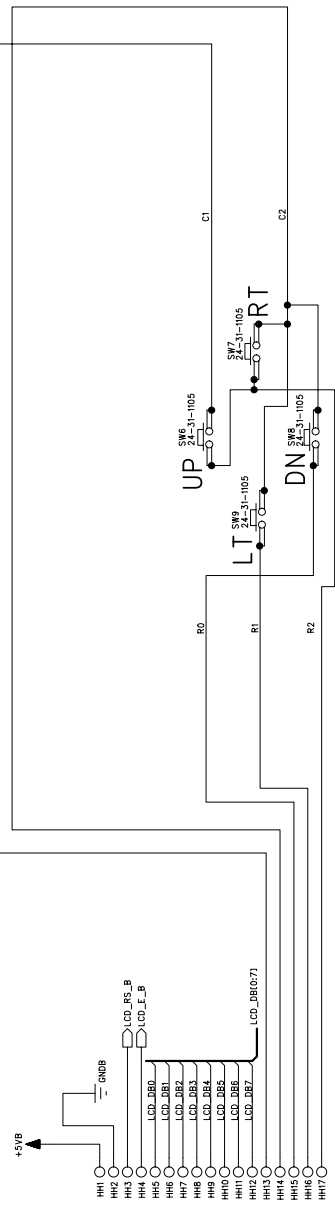
CHECKED: review panel
 DATED:
 SCALE: 1:1
 SHEET: 1 OF 3

THE INFORMATION CONTAINED IN THIS DRAWING IS THE SOLE PROPERTY OF LINE 6 INC. ANY REPRODUCTION IN PART OR WHOLE WITHOUT THE WRITTEN PERMISSION OF LINE 6 INC. IS PROHIBITED.

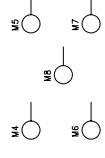


1 2 3 4 5 6

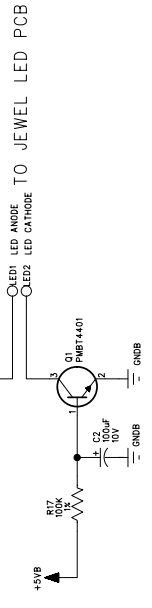
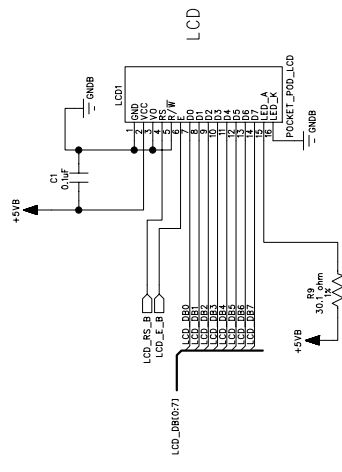
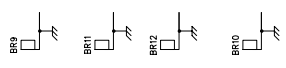
ECOs INCLUDED ON THIS SCHEMATIC/PCB REVISION	
ECD NO:	DATE:
DESCRIPTION:	



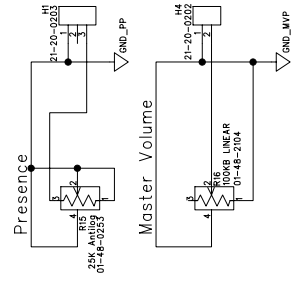
Pinholes: 2 rows of 9 or 1 row of 17 pending mechanical design



Mounting Holes on UI RIGHT PCB Half for 4-way-switch



POWER AMPLIFIER CONTROL



THE INFORMATION CONTAINED IN THIS DRAWING IS THE SOLE PROPERTY OF LINE 6 INC. ANY REPRODUCTION IN PART OR WHOLE WITHOUT THE WRITTEN PERMISSION OF LINE 6 INC. IS PROHIBITED.

COMPANY:	LINE 6
TITLE:	A15: SV UI PCB RIGHT HALF
PROGRAM:	PADS LOGIC 2004
REV:	A

DRAWN:	D. MOLNAR	DATED:	6.07.2007
CHECKED:	review panel	DATED:	
PRELIMINARY DRAWINGS FOR QUOTATION PURPOSES ONLY DO NOT USE FOR PRODUCTION			
SCALE:	1:1	SHEET:	2 of 3

1

2

3

4

5

6

D

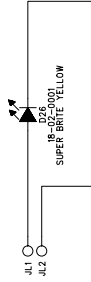
C

B

A

ECOs INCLUDED ON THIS SCHEMATIC/PCB REVISION	
ECO NO:	DATE:
DESCRIPTION:	

JEWEL LIGHT LED PCB



THE INFORMATION CONTAINED IN THIS DRAWING IS THE SOLE PROPERTY OF LINE 6 INC. ANY REPRODUCTION IN PART OR WHOLE WITHOUT THE WRITTEN PERMISSION OF LINE 6 INC. IS PROHIBITED.



COMPANY: LINE 6

TITLE: A15: SV UI

PROGRAM: JEWEL LIGHT LED PCB

REV: A

FILENAME:

DATED:

DRAWN: D. MOLNAR

CHECKED: review panel

DATED: 6.07.2007

DATED:

PROGRAM: PADS LOGIC 2004

SCALE: 1:1

SHEET: C

PART NUMBER: 35-00-0247-2

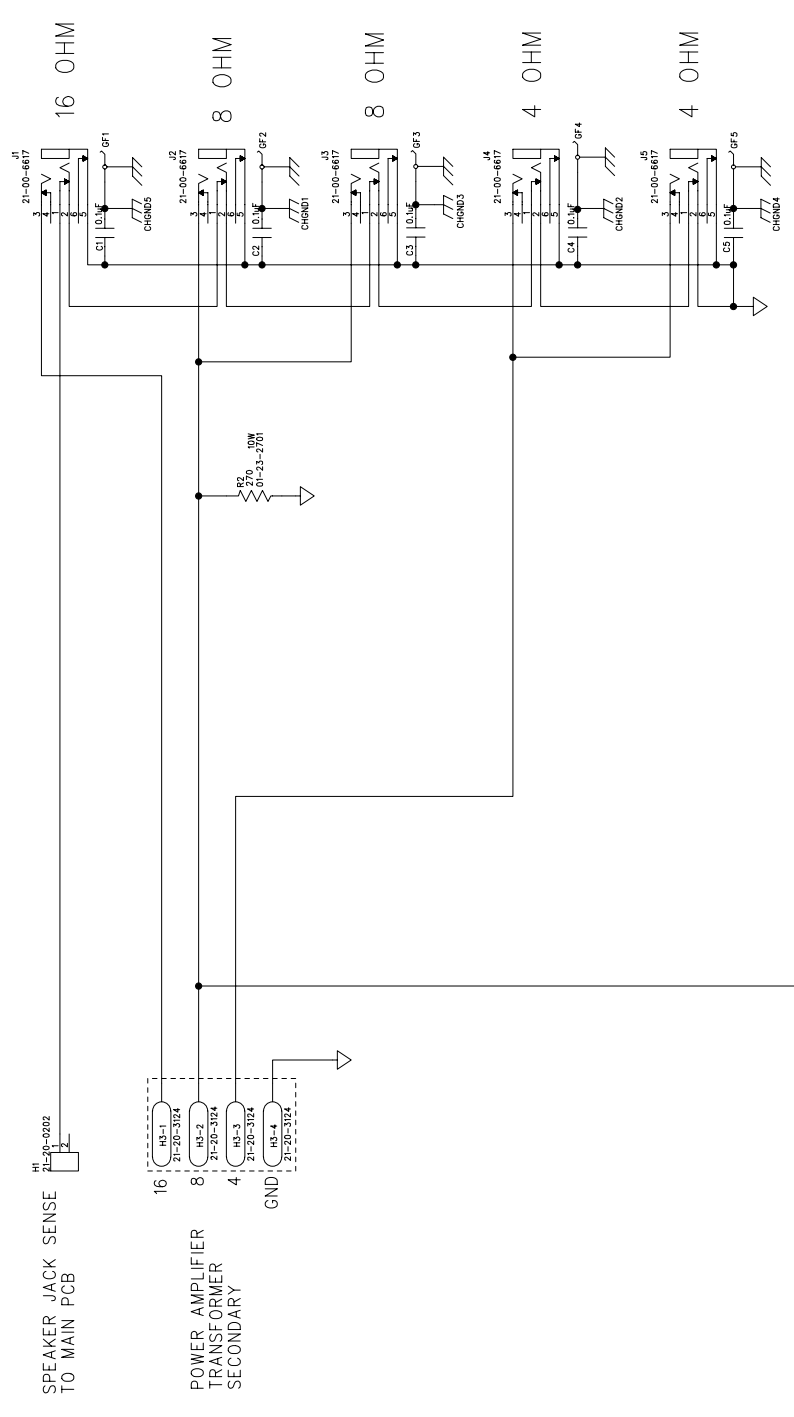
SHEET: 3 of 3

**PRELIMINARY DRAWINGS
FOR QUOTATION PURPOSES ONLY
DO NOT USE FOR PRODUCTION**

1 2 3 4 5 6

D C B A

ECOs INCLUDED ON THIS SCHEMATIC/PCB REVISION	
ECD NO:	DATE:
	DESCRIPTION:



THE INFORMATION CONTAINED IN THIS DRAWING IS THE SOLE PROPERTY OF LINE 6 INC. ANY REPRODUCTION IN PART OR WHOLE WITHOUT THE WRITTEN PERMISSION OF LINE 6 INC. IS PROHIBITED.

COMPANY:	LINE 6
TITLE:	A15: SV100 SPEAKER OUT
PROGRAM:	PADS LOGIC 2004
REV:	A
FILENAME:	
SCALE: 1:1	SHEET: 1 OF 1

DRAWN:	D. MOLNAR	DATED:	8/8/2007
CHECKED:	review panel	DATED:	

PRELIMINARY DRAWINGS
FOR QUOTATION PURPOSES ONLY
DO NOT USE FOR PRODUCTION