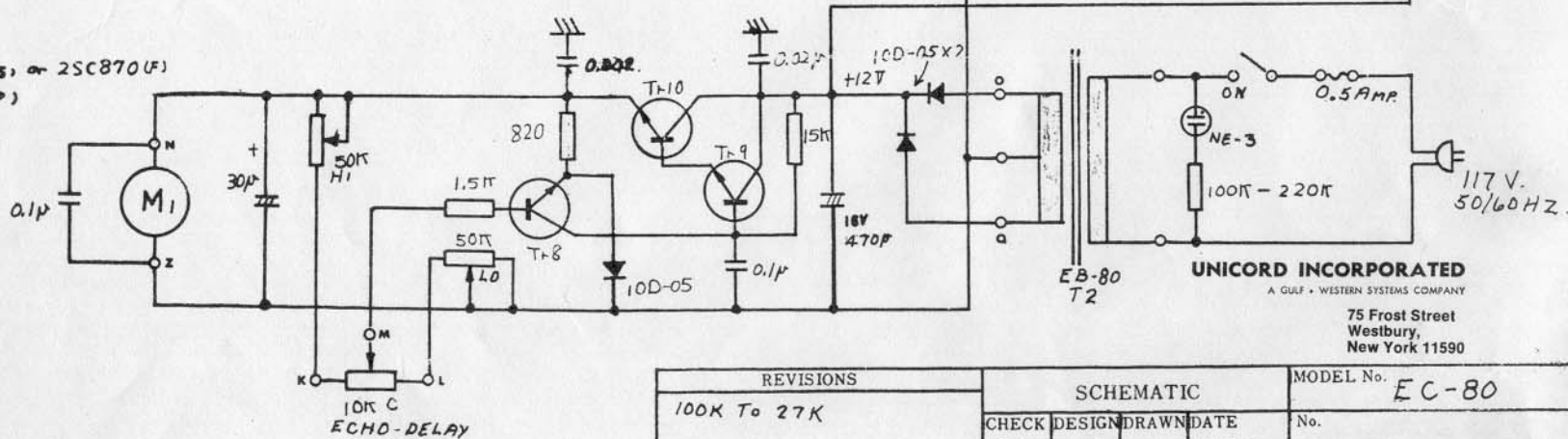


Tr-1 ~ 4 = 25C644 (S) or 25C870 (F)
 Tr-5 ~ 9 = 25C828 (P)
 Tr-10 = 25C1226



REVISIONS		SCHEMATIC		MODEL No.
100K To 27K				EC-80
CHECK	DESIGN	DRAWN	DATE	No.
FK.			10-5-72	