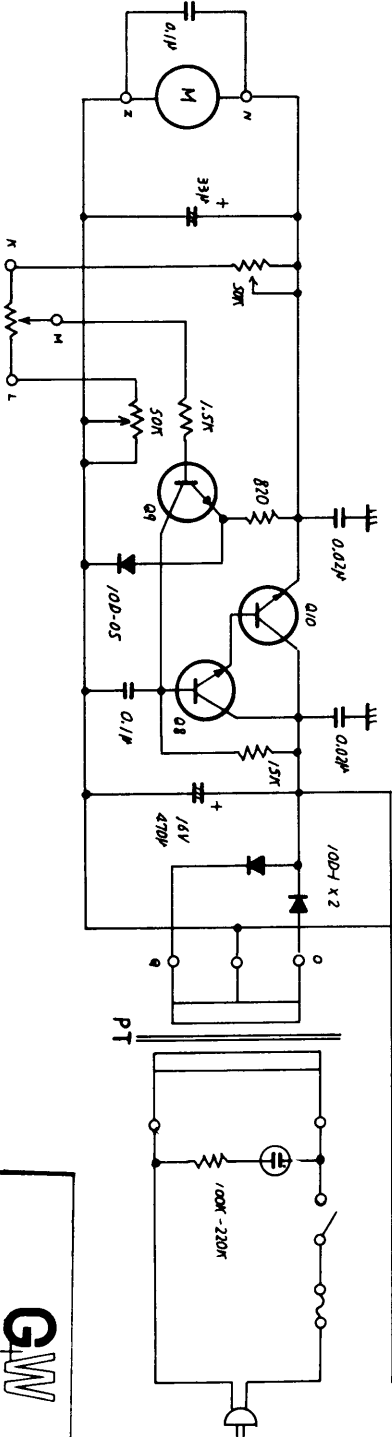
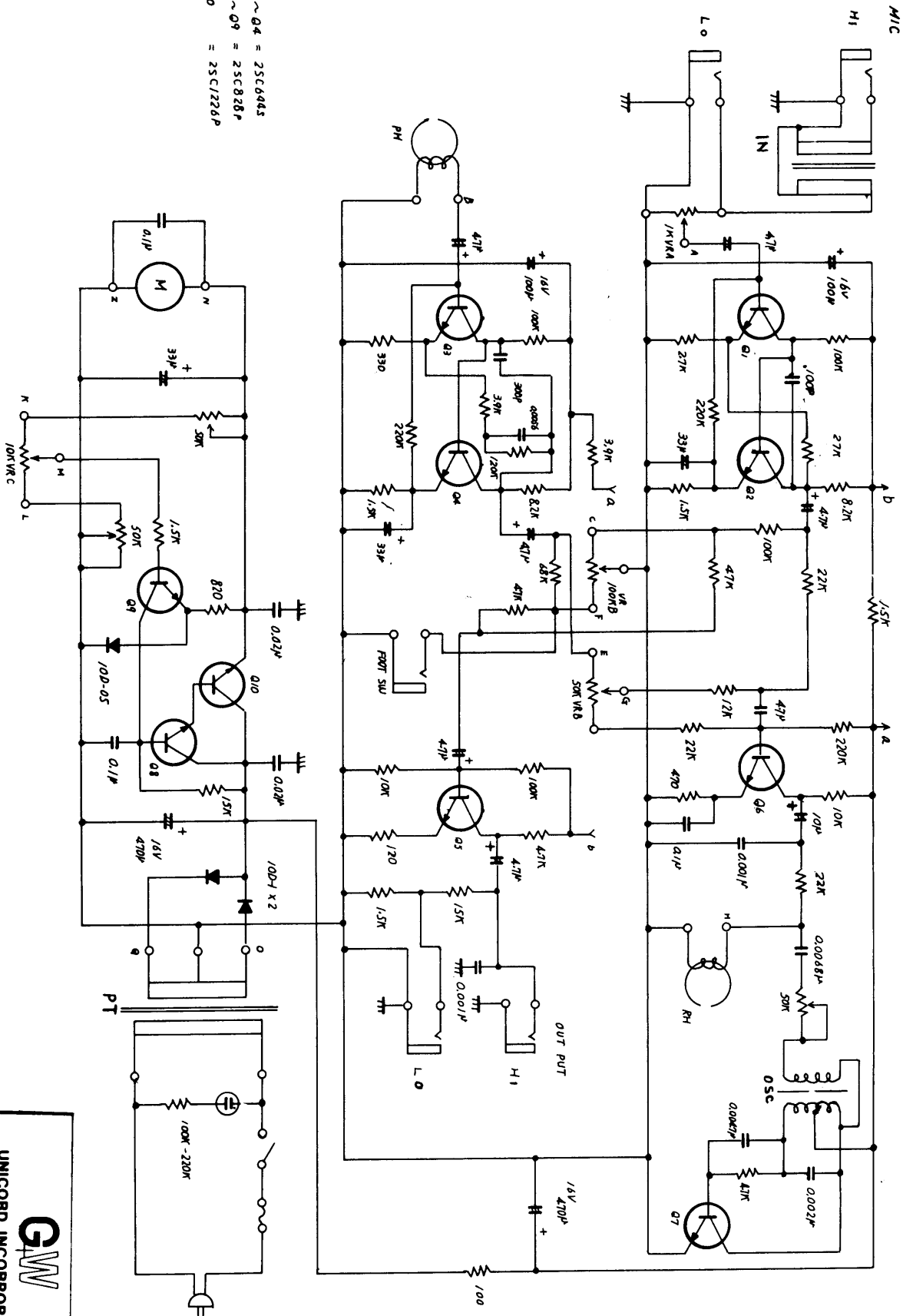


EC 80

Q1 ~ Q4 = 2SC6445
 Q5 ~ Q9 = 2SC828P
 Q10 = 2SC1226P



GMV
UNICORD INCORPORATED
 A BULLOCK SYSTEM COMPANY
 75 FROST STREET, WESTBURY, N. Y. 11590

SCALE: **0230731**