

LAST RESISTOR NO. 40 LAST CAPACITOR NO. 21

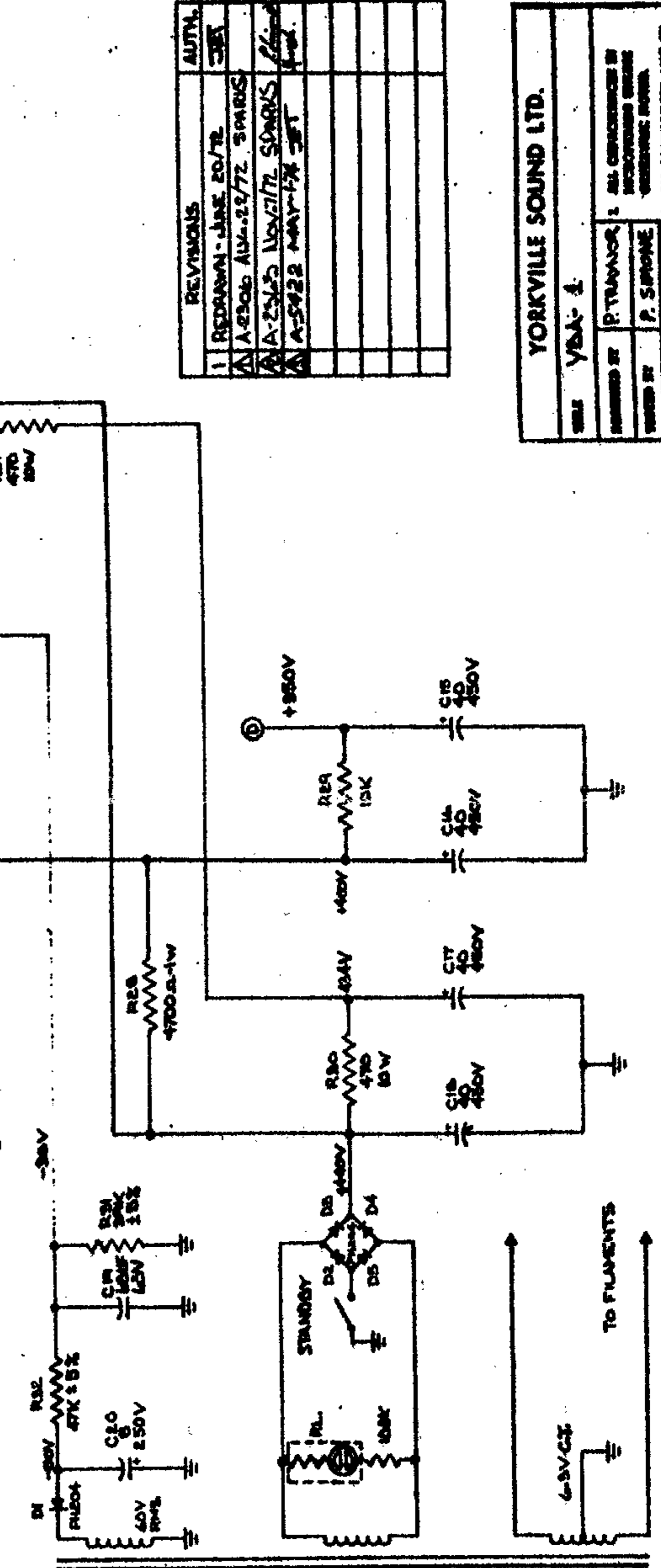
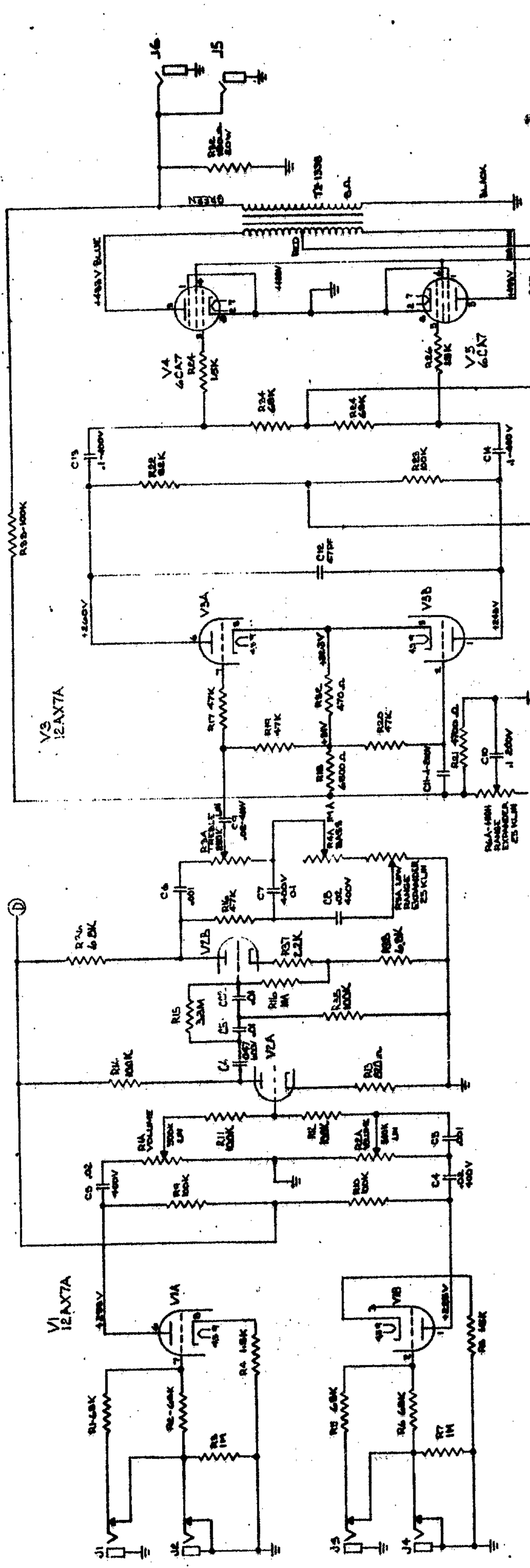
NOTE:
 D1 D2 D3 PH204
 D4 D5 D6
 O1 O2 IN50G CONTROLLED
 D4 D5 AVALANCHE TYPE

NOTE:
 1 ALL CAPACITANCES IN μ F UNLESS OTHERWISE SPECIFIED
 2 ALL RESISTANCES IN OHMS AT $\frac{1}{2}$ "
 3 ALL VOLTAGES MEASURED WITH LINEOHM VOLTMETER.
 4 LINE VOLTAGE 117 V 60 HZ
 5 ALL CONTROLS AT MINIMUM
 6 NO SIGNAL

REVISION	DATE	BY	YORKVILLE SOUND LTD.
1	1/3/69	MA	YORKVILLE SOUND LTD. BASSMASTER MARK II ALL DIMENSIONS IN INCHES DO NOT SCALE
2	25/5/69	MA	
3	19/8/69	MA	
4	17/10/69	MA	
5	4/12/69	MA	



REV	P.C.	DATE	BY
0780	6/4/70	MA	
0793	7/8/70	MA	
0543	30/11/70	MA	
0546	30/11/70	MA	
0547	9/12/70	MA	



REVISED	AUTH.
1 REDRAWN - JUNE 20/72	CBK
2 A-2506 A14-2/72 SPARKS	
3 A-2505 NOV/72 SPARKS	
4 A-5422 MAY-72 ST	

YORKVILLE SOUND LTD.

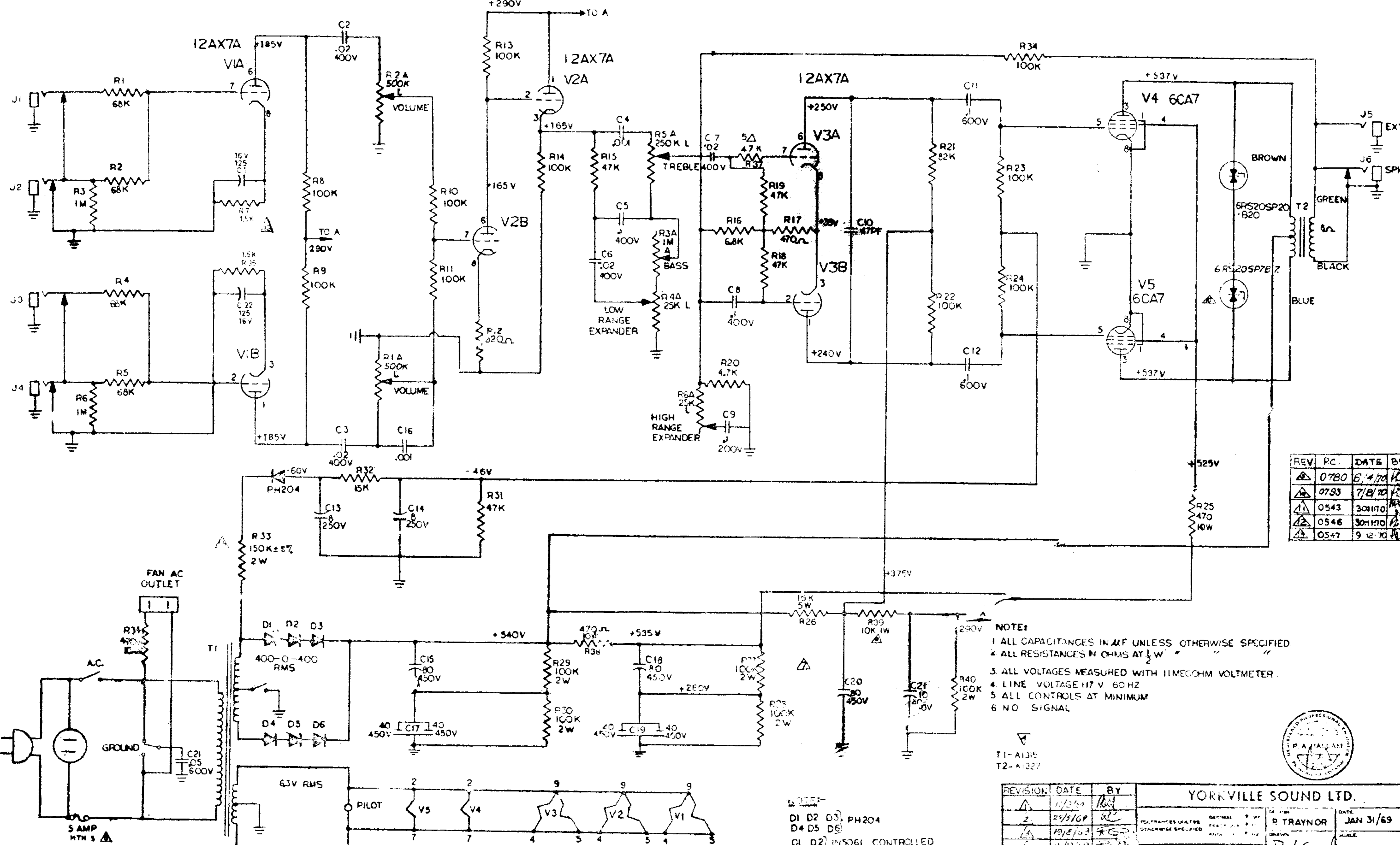
MODEL VSA-4

DESIGNED BY P. TRAMER
 DRAWN BY P. SIMONE
 CHECKED BY B. SPINKS

ALL CAPACITORS IN MICROFARADS UNLESS OTHERWISE SPECIFIED.
 ALL RESISTORS ARE IN OHMS UNLESS OTHERWISE SPECIFIED.
 ALL VOLTAGE RATINGS ARE TO BE OBSERVED.
 ALL COMPONENTS ARE TO BE OF THE HIGHEST QUALITY AVAILABLE.
 ALL PARTS ARE TO BE NEW UNLESS OTHERWISE SPECIFIED.

DATE: 11/6/72

LAST RESISTOR - R30 LAST CAPACITOR - C22



REV	PC	DATE	BY
1	0780	6/4/70	...
2	0793	7/8/70	...
3	0543	30/1/70	...
4	0546	30/1/70	...
5	0547	9/12/70	...

- NOTE:**
- 1 ALL CAPACITANCES IN μ F UNLESS OTHERWISE SPECIFIED.
 - 2 ALL RESISTANCES IN OHMS AT $\frac{1}{2}$ W
 - 3 ALL VOLTAGES MEASURED WITH 11 MEGOHM VOLTMETER.
 - 4 LINE VOLTAGE 117 V. 60 HZ
 - 5 ALL CONTROLS AT MINIMUM
 - 6 NO SIGNAL

T1-A1315
T2-A1327

- NOTE:**
- D1 D2 D3 PH204
 - D4 D5 D6
 - C1 C2 INSOGI CONTROLLED
 - D4 D5 AVALANCHE TYPE

LAST RESISTOR NO. 40 LAST CAPACITOR NO. 21



REVISION			YORKVILLE SOUND LTD.	
1	11/3/69	...	DESIGNED BY	P. TRAYNOR
2	25/5/69	...	DRAWN BY	...
3	19/8/69	...	CHECKED BY	...
4	11/10/69	...	DATE	JAN 31/69
5	4/12/69	...	SCALE	...
6	MATERIAL	YBA-1A
7	16 JAN 70	...	FORM	BASSMASTER MARK II
8	19 FEB 70	...	APPROVED BY	...

ALL DIMENSIONS IN INCHES
DO NOT SCALE