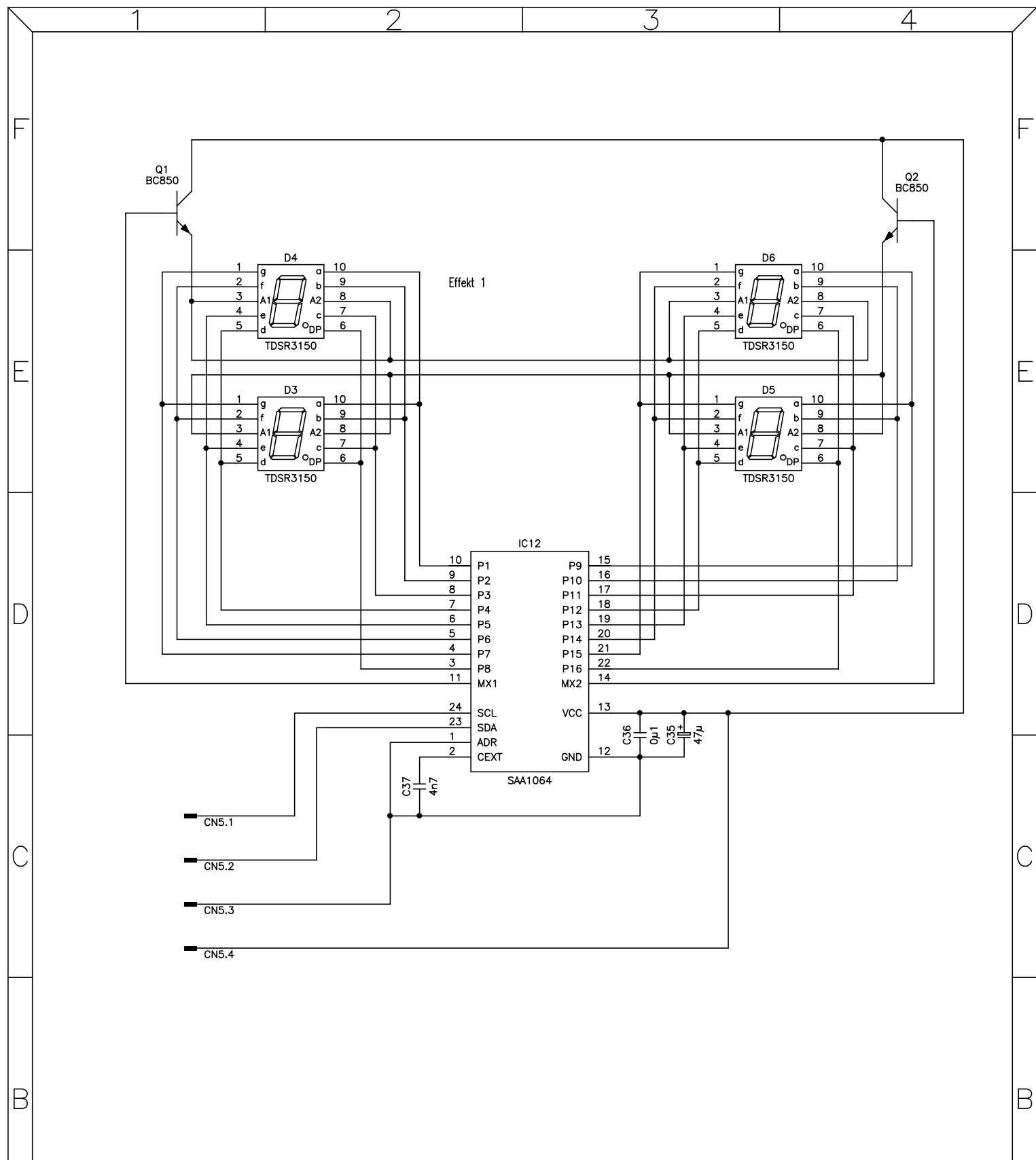


\* not assembled

- CN3.3 DOWN Eff1
- CN3.5 DOWN Eff2
- CN3.4 UP Eff1
- CN3.6 UP Eff2

ALTERATIONS RESERVED !

				Project name: 80438c		<h1 style="margin: 0;">EFFECT-BOARD</h1> <h2 style="margin: 0;">AD-DA &amp; DSP</h2>		<h1 style="font-size: 2em; margin: 0;">354013</h1>		SHEET 1/2	
				1996	DATE					NAME	<h2 style="margin: 0;">Powermate 1000/1600</h2>
				DSG'D	09.12.	Wendler	<h2 style="margin: 0;">EVI AUDIO</h2> <h3 style="margin: 0;">DYNACORD</h3>		<h2 style="margin: 0;">3-</h2>		
				CHK'D							<h2 style="margin: 0;">EVI AUDIO</h2> <h3 style="margin: 0;">DYNACORD</h3>
B	56/97	23/9	WWE	APP'D			<h2 style="margin: 0;">EVI AUDIO</h2> <h3 style="margin: 0;">DYNACORD</h3>		<h2 style="margin: 0;">3-</h2>		
A		30/7	WWE								<h2 style="margin: 0;">EVI AUDIO</h2> <h3 style="margin: 0;">DYNACORD</h3>
ISSUE	REVISION	DATE	NAME				<h2 style="margin: 0;">EVI AUDIO</h2> <h3 style="margin: 0;">DYNACORD</h3>		<h2 style="margin: 0;">3-</h2>		



ALTERATIONS RESERVED !

ISSUE	REVISION	DATE	NAME

# EFFECT-BOARD

## Display

Project name:  
80438c

1997	DATE	NAME
DSG'D	02.04.	Wendler
CHK'D		
APP'D		

354015

SHEET  
2/2

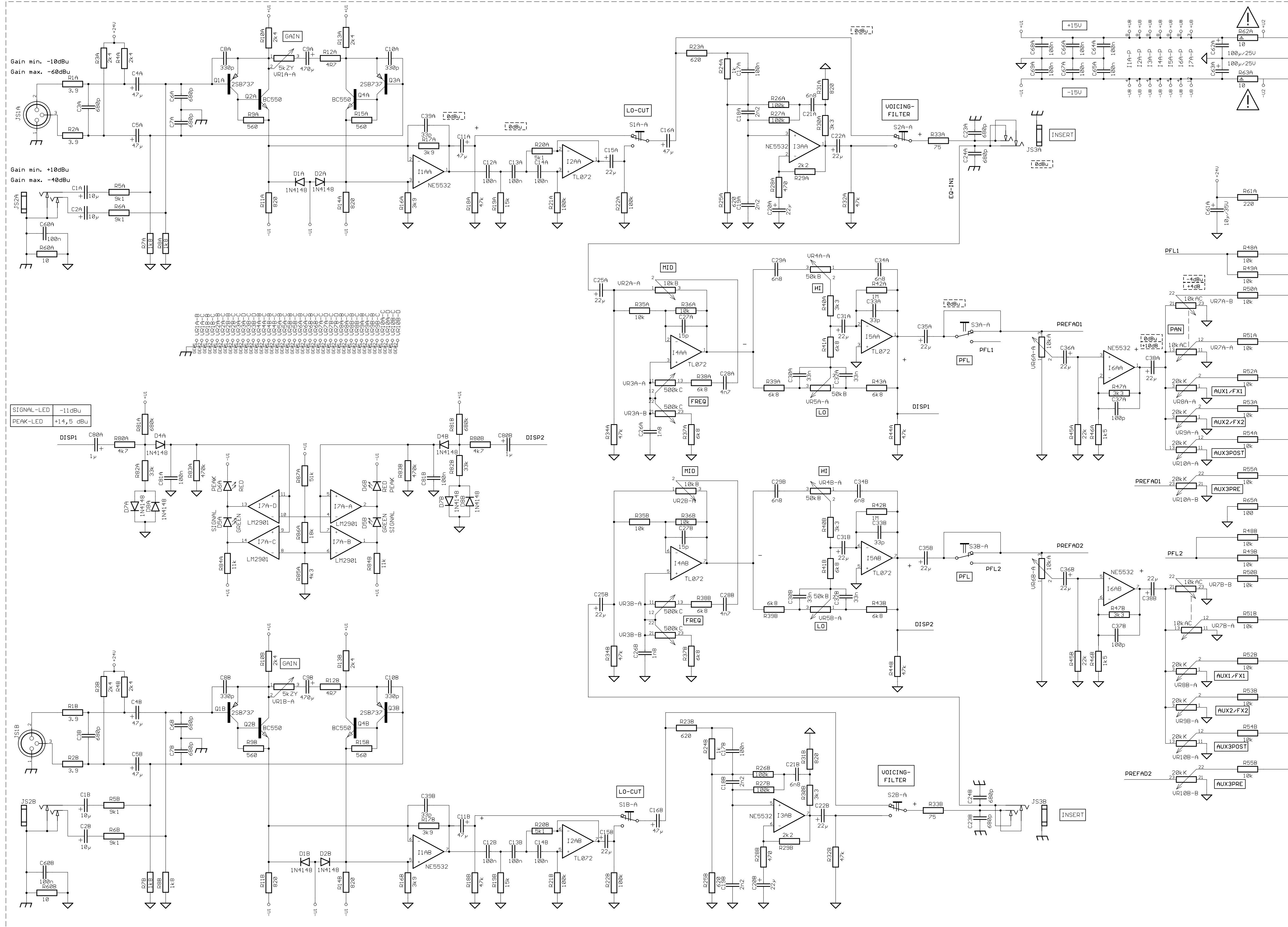
Powermate 1000/1600

4-



CHANNEL A/B

CHANNEL E/F CHANNEL C/D

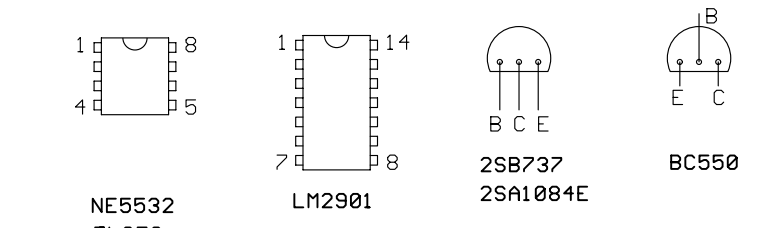


**NOTES:**

- \*1 : PART CAN BE REPLACED WITH 25A1084 E
- AC VOLTAGE 1800 HZ, MEASURED WITH UTUM
- DC VOLTAGE MEASURED WITH VOLTMETER 100k OHM/V
- FADER IN RATED POSITION ( 0dB )
- ADDITIONAL GAIN WITH FADER IN MAX. POSITION
- SAFETY COMPONENT (MUST BE REPLACED BY ORIGINAL PART)

**RATED CONDITIONS:**

- GAIN POTS MIN. OR MAX.
- ALL POTS IN CENTER-POSITION
- ALL FADERS AT 0dB
- MASTER-FADER-L/R AT +6dB



SAME AS CHANNEL A/B

SAME AS CHANNEL A/B

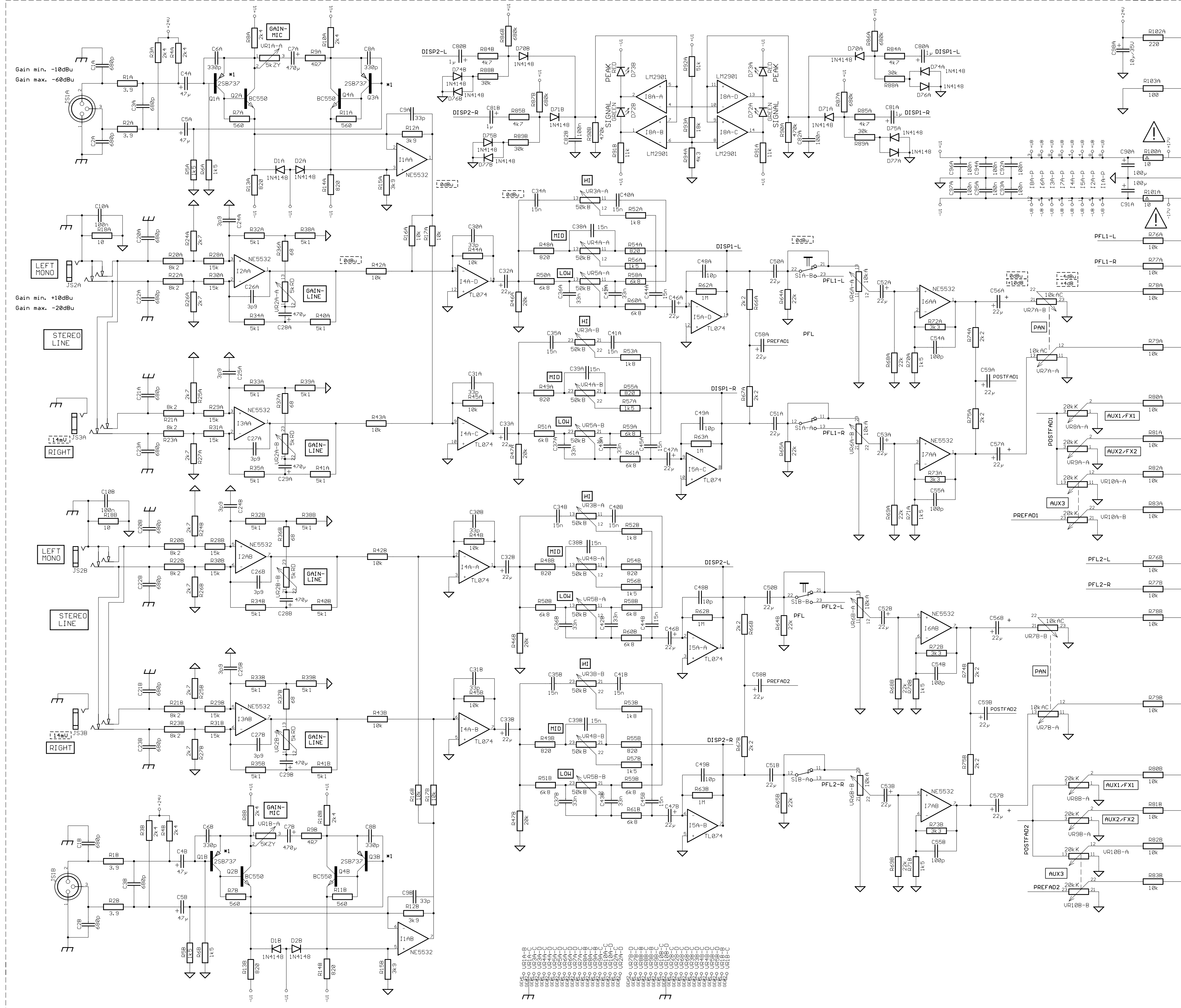
- BUS-REF
- PFL-L
- PFL-R
- MASL
- MASR
- FX1/AUX1
- FX2/AUX2
- AUX3POST
- AUX3PRE
- +17V
- 17V
- GND4
- NS181

- BUS-REF
- PFL-L
- PFL-R
- MASL
- MASR
- FX1/AUX1
- FX2/AUX2
- AUX3POST
- AUX3PRE
- +17V
- 17V
- GND4
- NS181

ALTERATIONS RESERVED!		Last modified: 24.11.1999 10:32:24		PMMIC-UF-a 81334	
		Last plotted: 03.07.2000 10:17:58		CIRCUIT DIAGRAM	
		DATE NAME		354 009	
		DISG'D 06.1997 Lang F.		EVI AUDIO	
		CHK'D		PHI 000/1600/2200/PSX1000/1600/2000/2200	
		APP'D		1-	
a 145/99		11.99 Lang			
ISSUE		REVISION DATE NAME			

CHANNEL A/B

CHANNEL C/D

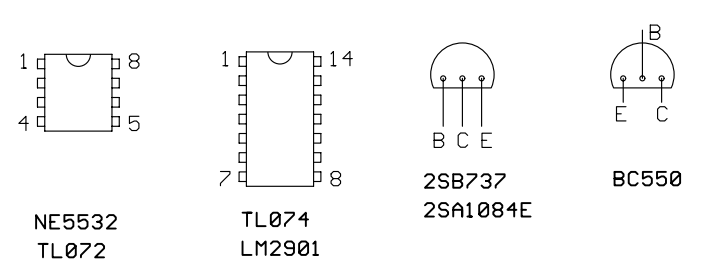


SAME AS CHANNEL A/B

- NOTES:**
- \*1 : PART CAN BE REPLACED WITH 2SA1084 E
  - AC VOLTAGE 1000 HZ, MEASURED WITH VTVM
  - DC VOLTAGE MEASURED WITH VOLTMETER 100kOHM-V
  - FADER IN RATED POSITION (< 0dB >)  
ADDITIONAL GAIN WITH FADER IN MAX. POSITION
  - SAFETY COMPONENT  
(MUST BE REPLACED BY ORIGINAL PART)

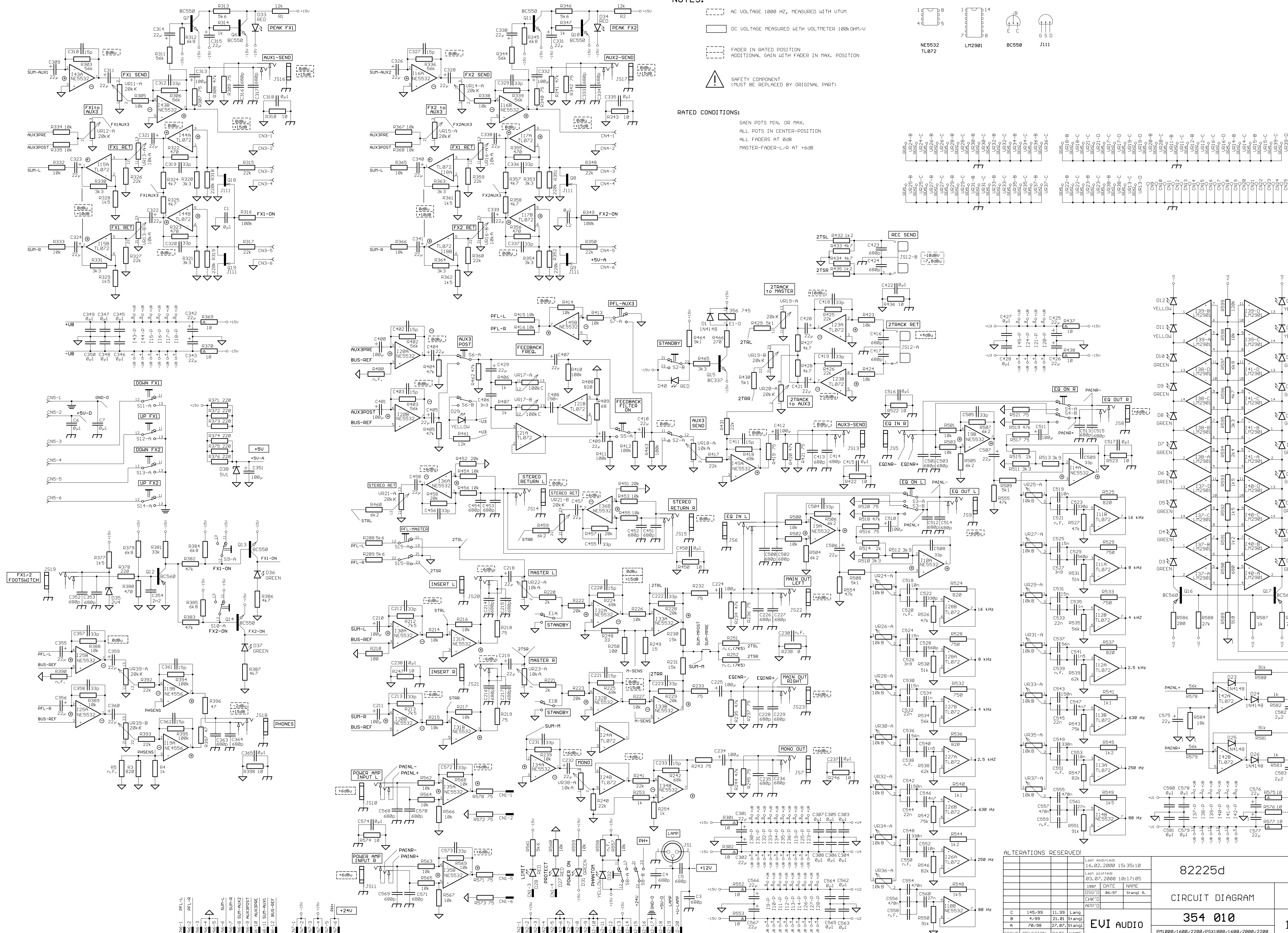
**RATED CONDITIONS:**

GAIN DOTS MIN. OR MAX.  
ALL DOTS IN CENTER-POSITION  
ALL FADERS AT 0dB  
MASTER-FADER-L/R AT +6dB



- BUS-REF
- +17V
  - GND
  - 17V
  - PFL-L
  - PFL-R
  - MASL
  - MASR
  - FX1/AUX1
  - FX2/AUX2
  - AUX3POST
  - AUX3PRE

ALTERATIONS RESERVED!				PM-STEUF-e 81336	
				Last modified	24.11.1999 10:27:58
				Last plotted	03.07.2000 10:18:33
				DATE	NAME
				DSG'D	86.06.97 Lang F.
				CHK'D	
				APP'D	
E	145/99	11.99	Lang	EVI AUDIO	
A	67/98	07.98	Lang		
ISSUE	REVISION	DATE	NAME		
				CIRCUIT DIAGRAM	
				354 348	
				PPI1000/1600/2200/PSX1000/1600/2000/2200	

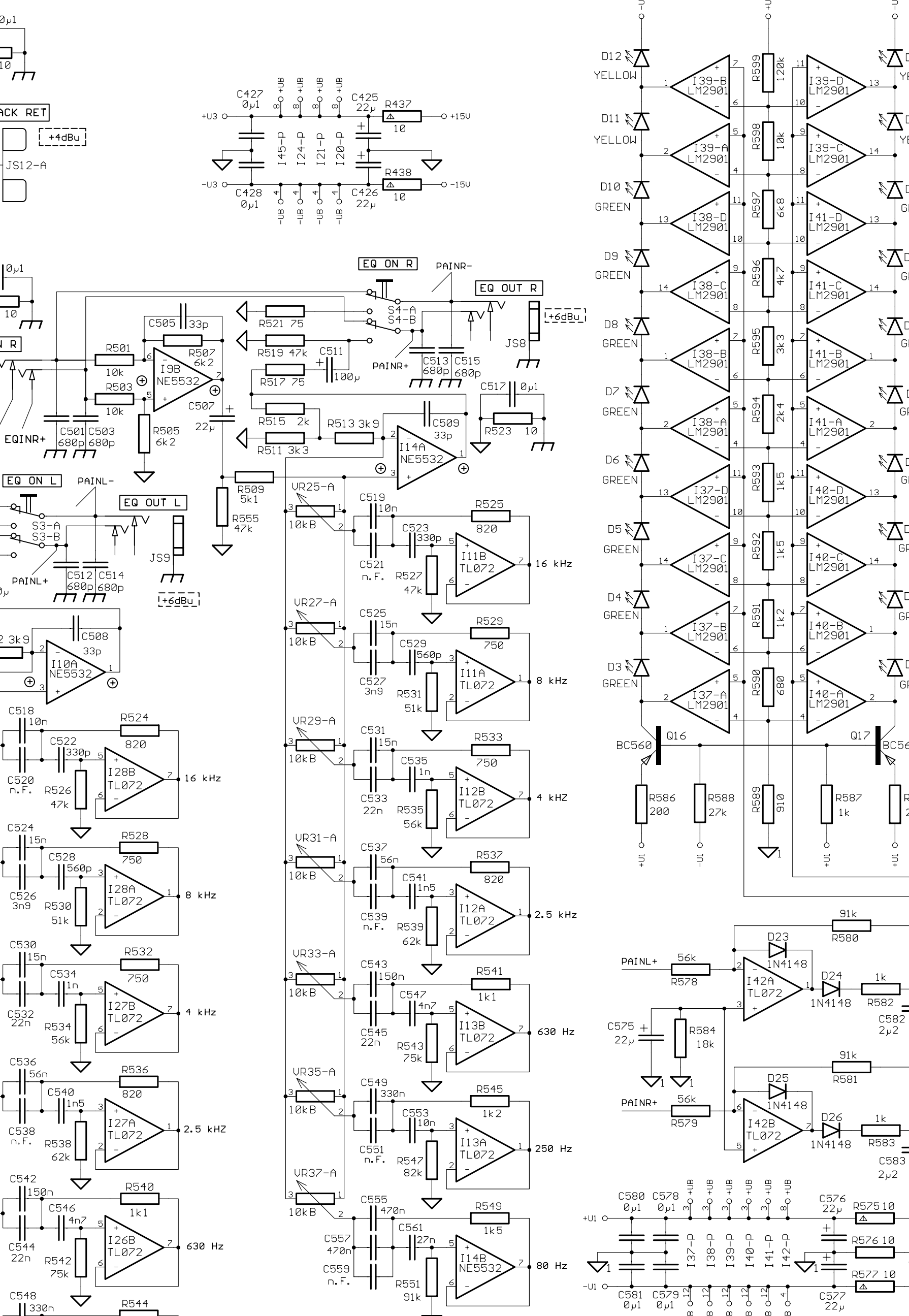
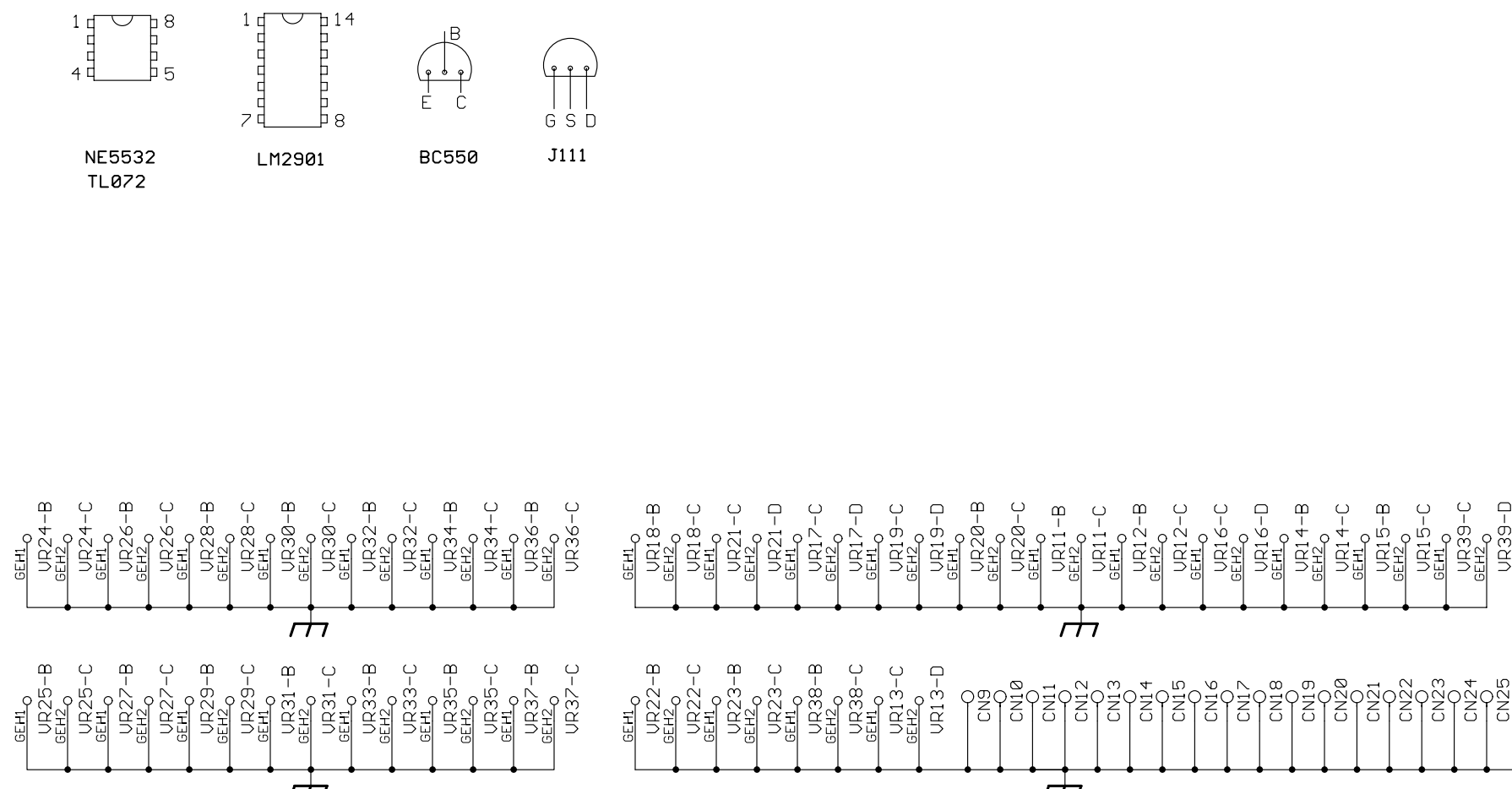


**NOTES:**

- AC VOLTAGE 1000 HZ, MEASURED WITH UTVM
- DC VOLTAGE MEASURED WITH VOLTMETER 100k OHM/V
- FADER IN RATED POSITION  
ADDITIONAL GAIN WITH FADER IN MAX. POSITION
- SAFETY COMPONENT  
(MUST BE REPLACED BY ORIGINAL PART)

**RATED CONDITIONS:**

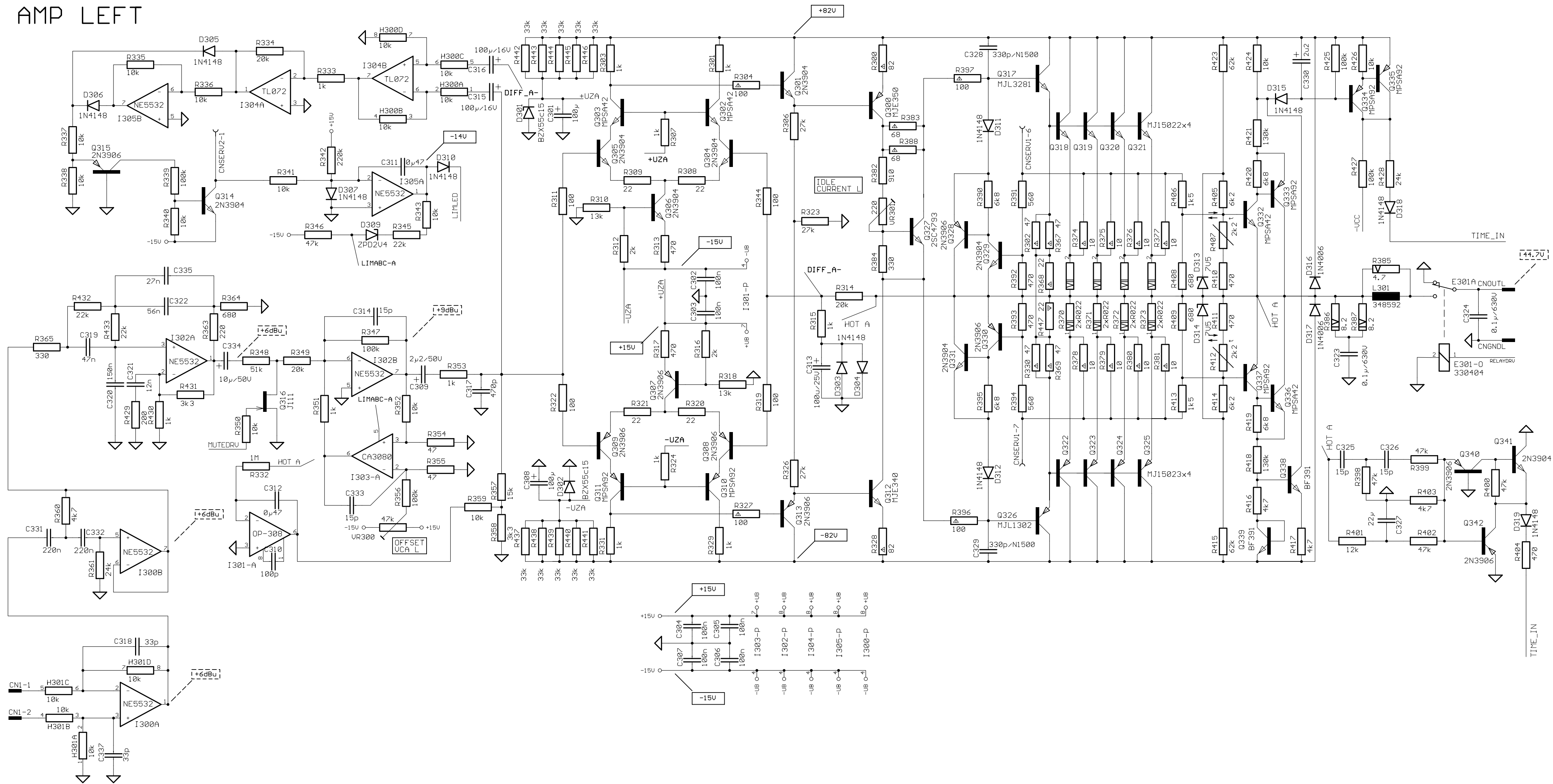
- GAIN POTS MIN. OR MAX.
- ALL POTS IN CENTER-POSITION
- ALL FADERS AT 0dB
- MASTER-FADER-L/R AT +6dB



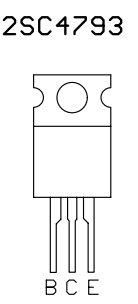
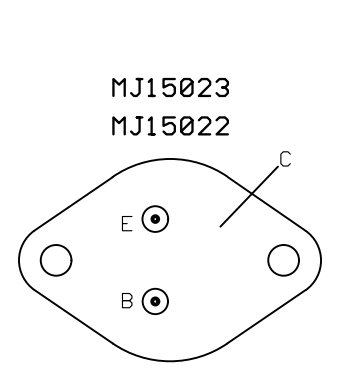
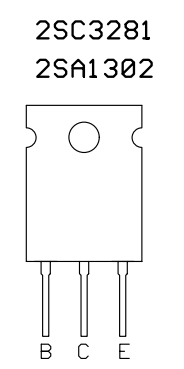
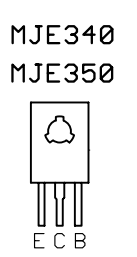
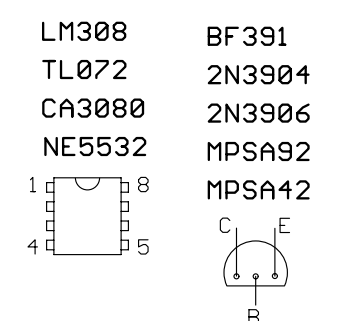
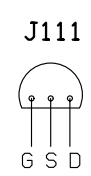
ALTERATIONS RESERVED!

Last modified: 16.02.2008 15:35:10		82225d	
Last plotted: 03.07.2008 10:17:05		CIRCUIT DIAGRAM	
1987	DATE	NAME	
DSE/D	CHK'D	Stangl R.	
AP/D	CHK'D		
<b>EVI AUDIO</b>		<b>354 010</b>	
ISSUE	REVISION	DATE	NAME
		PH1000-1600-2200-PSX1000-1600-2000-2200	

# AMP LEFT



- POWER RESISTOR 5 WATT
- POWER RESISTOR 4 WATT
- DC VOLTAGE MEASURED WITH VOLTMETER 100kOHM/V
- AC VOLTAGE 1000 HZ, MEASURED WITH UTVM
- SAFETY COMPONENT, FLAMEPROOF RESISTOR (MUST BE REPLACED BY ORIGINAL PART)



ALTERATIONS RESERVED!

ISSUE	REVISION	DATE	NAME
K	157/99	13.12	Lang
I	145/99	24.11	Lang
H	85/99	13.07	Lang
G	18/99	02.99	csc
F	6/99	22.01	Stangl
E	72/97	11.97	Lang
D	62/97	10.97	Taffner
C	57/97	09.97	Lang
B	47/97	09.97	Lang
A	NULLSERIE	09.97	Lang

DATE	NAME
13.12.1999 10:48:34	
03.07.2000 10:21:57	
06.97	Taffner
	APP'D

**84169H**  
Power Amplifier Left

CIRCUIT DIAGRAM 1/3

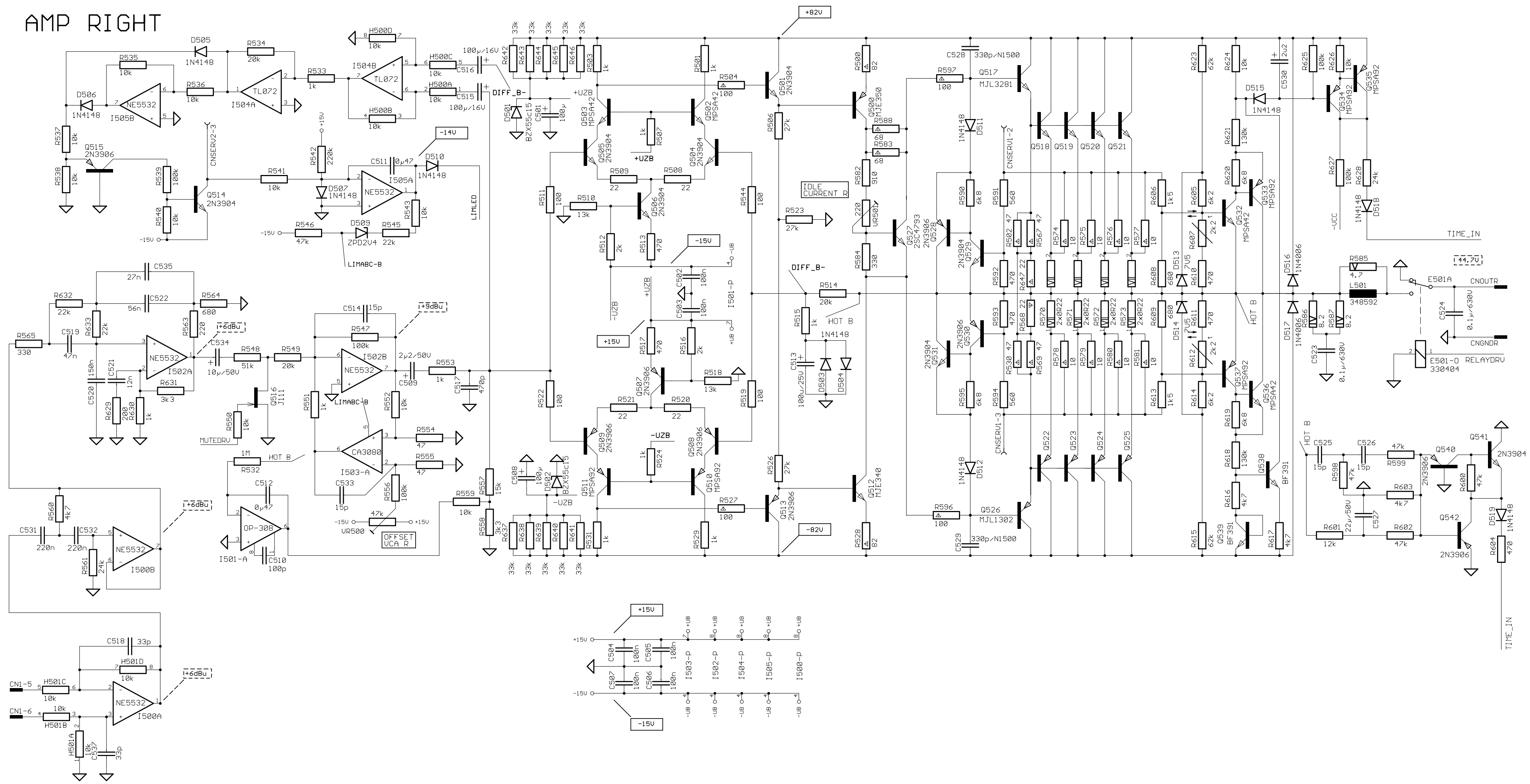
**354 011**

PM1000/1600/PSX1000/1600

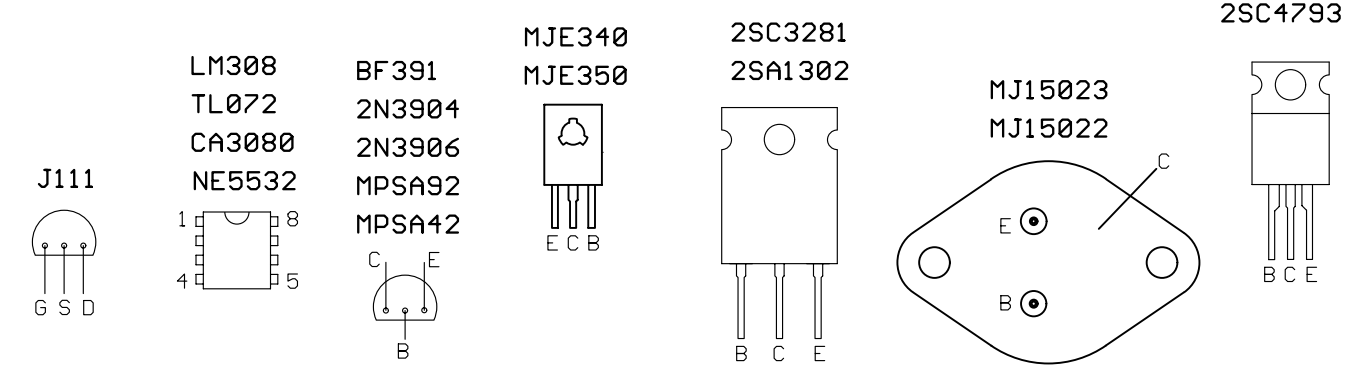
2-

EVI AUDIO

# AMP RIGHT



- POWER RESISTOR 5 WATT
- POWER RESISTOR 4 WATT
- DC VOLTAGE MEASURED WITH VOLTMETER 100kOHM/V
- AC VOLTAGE 1000 HZ, MEASURED WITH UTM
- SAFETY COMPONENT, FLAMEPROOF RESISTOR (MUST BE REPLACED BY ORIGINAL PART)



ALTERATIONS RESERVED!

K	157/99	13.12	Lang	13.12.1999 10:48:34
I	145/99	24.11	Lang	Last modified: 03.07.2000 10:22:10
H	85/99	13.07	Lang	Last plotted: 03.07.2000 10:22:10
G	18/99	02.98	csc	DATE NAME
F	6/99	22.01	Stangl	DSG'D 07.97 Taffner
E	72/97	11.97	Lang	CHK'D
D	62/97	10.97	Taffner	APP'D
C	57/97	09.97	Lang	
B	47/97	09.97	Lang	
A	NULLSERIE	09.97	Lang	
ISSUE	REVISION	DATE	NAME	

**84169H**  
Power Amplifier Right

CIRCUIT DIAGRAM 2/3

**354 011**  
PM1000/1600/PSX1000/1600

2-

**EVI AUDIO**

