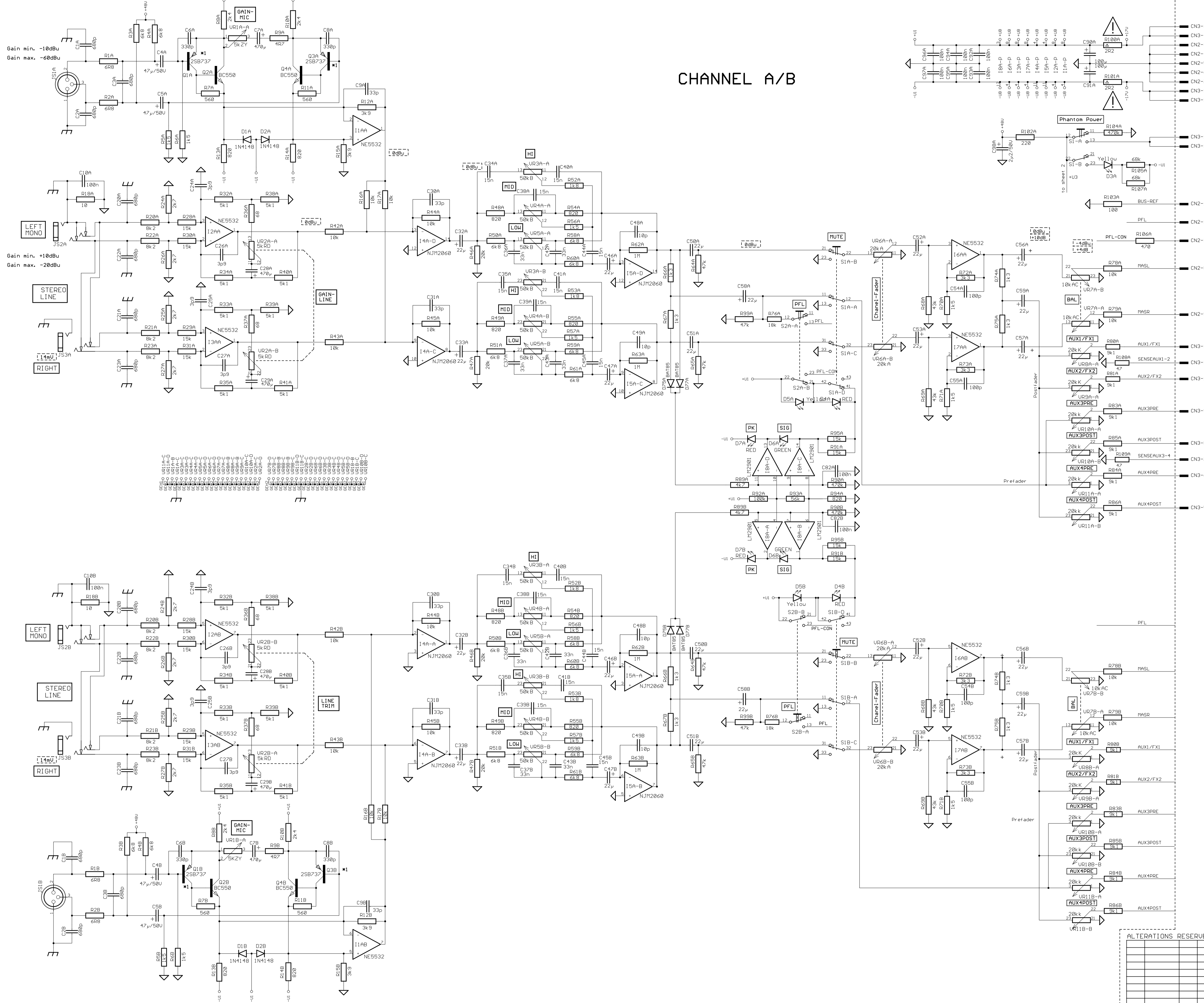


CHANNEL A/B

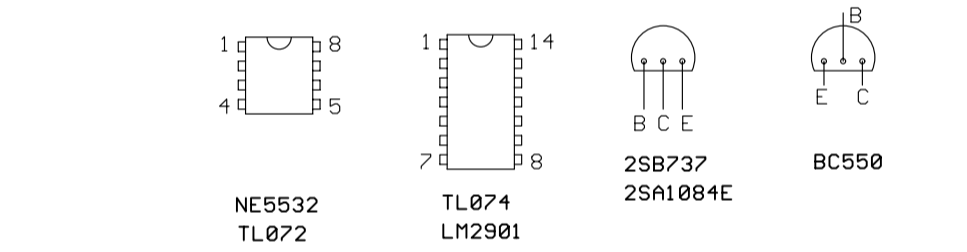


NOTES:

- *1 : PART CAN BE REPLACED WITH 25A104 E
- AC VOLTAGE 1000 HZ, MEASURED WITH UTUM
- DC VOLTAGE MEASURED WITH VOLTMETER 100kOHM/V
- FADER IN RATED POSITION (< 0dB)
- ADDITIONAL GAIN WITH FADER IN MAX. POSITION
- SAFETY COMPONENT (MUST BE REPLACED BY ORIGINAL PART)

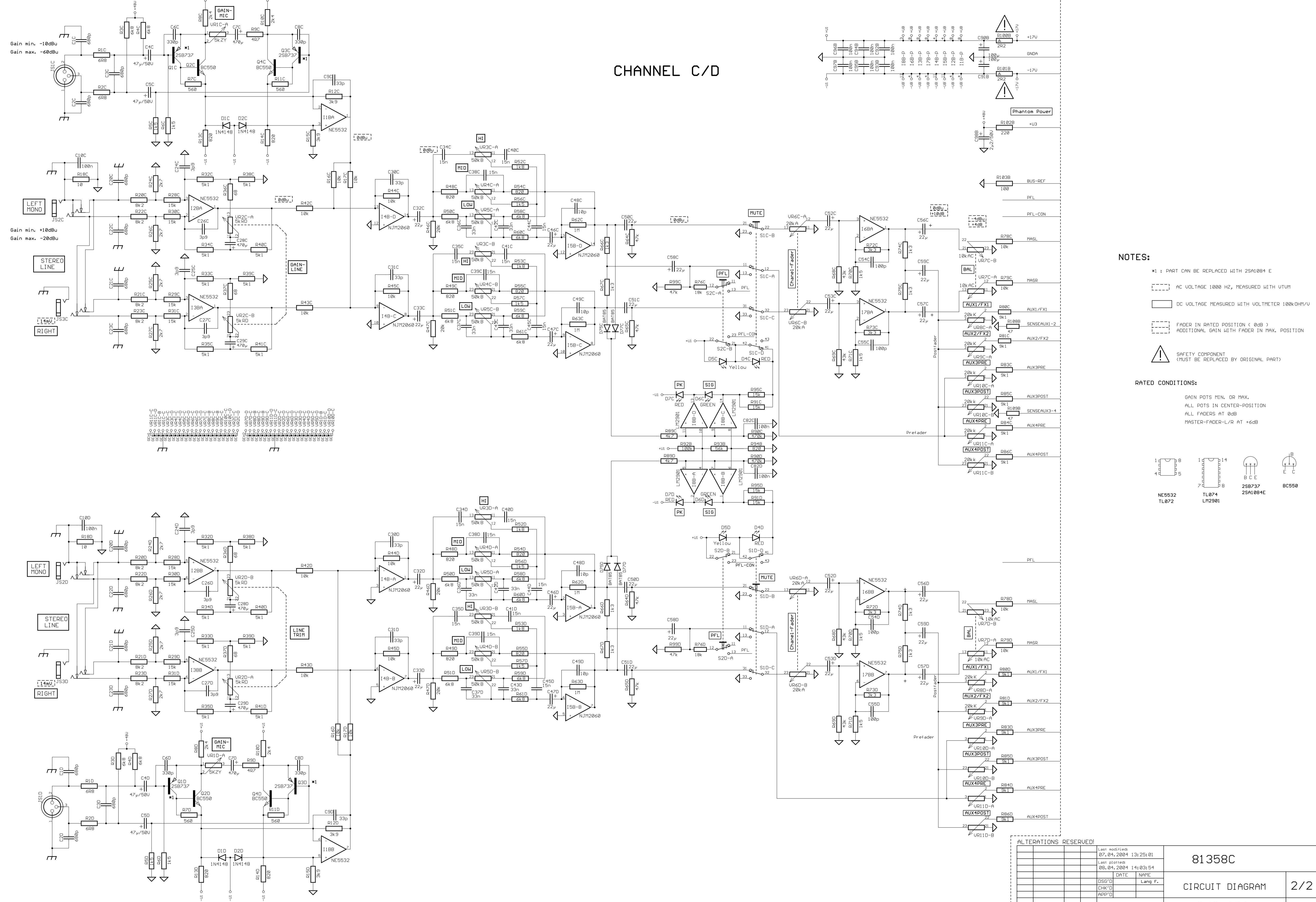
RATED CONDITIONS:

GAIN POTS MIN. OR MAX.
 ALL POTS IN CENTER-POSITION
 ALL FADERS AT 0dB
 MASTER-FADER-L/R AT +6dB



ALTERATIONS RESERVED!				Last modified: 07.04.2004 13:25:01	
				Last plotted: 08.04.2004 14:03:46	
				DATE	NAME
				Lang F.	
				DISG'D	
				CHK'D	
				APP'D	
ISSUE	REVISION	DATE	NAME	EVI AUDIO	
				81358C	
				CIRCUIT DIAGRAM	
				362 339	
				PM1000/PM1600 -2	
				1/2	
				2-	

CHANNEL C/D

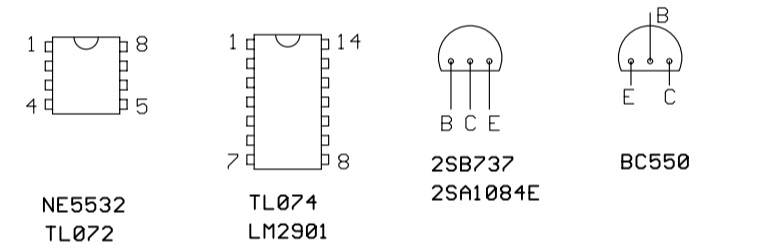


NOTES:

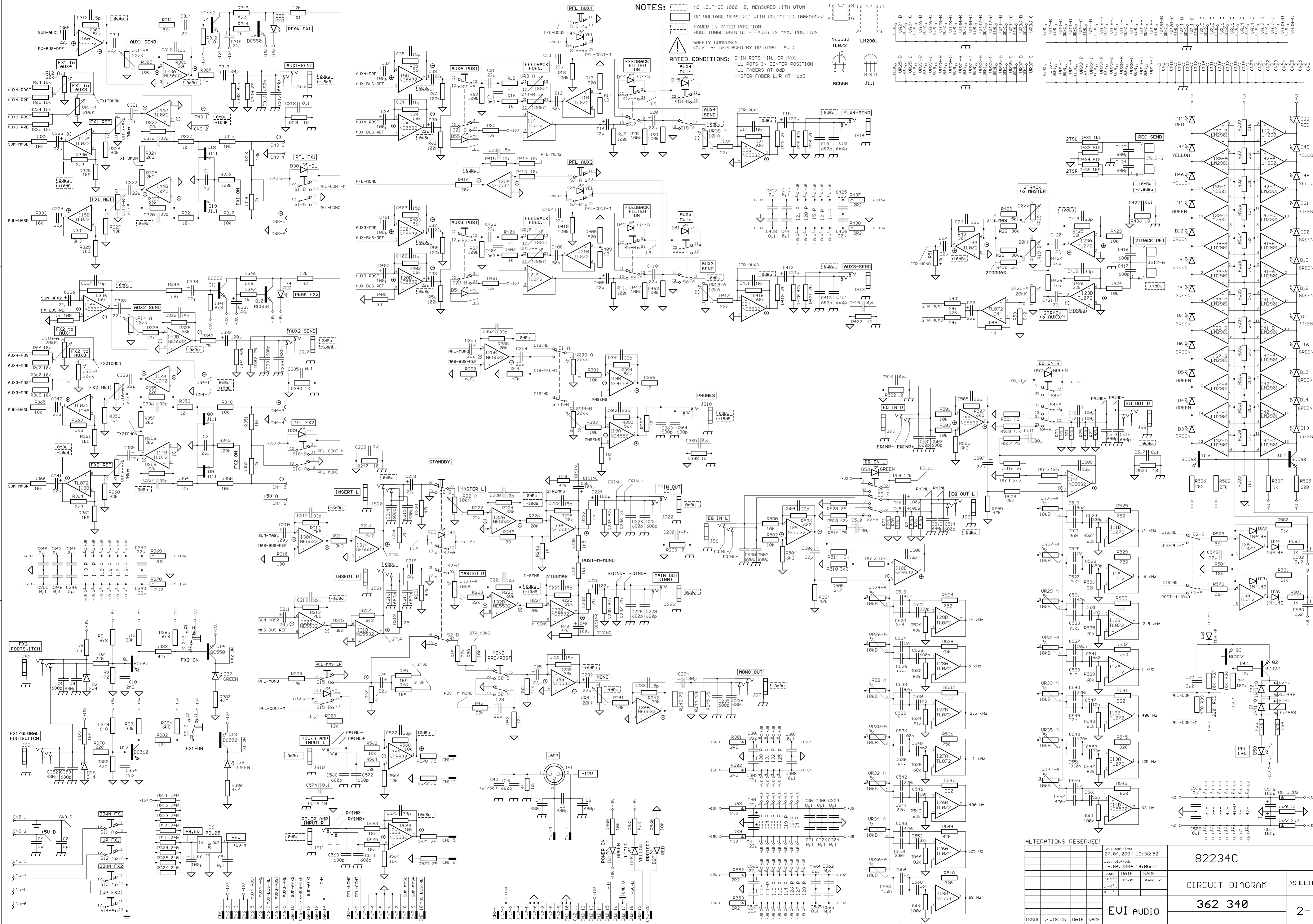
- *1 : PART CAN BE REPLACED WITH 25A1084 E
- AC VOLTAGE 1000 HZ, MEASURED WITH UTUM
- DC VOLTAGE MEASURED WITH VOLTMETER 100kOHM/V
- FADER IN RATED POSITION (0dB)
ADDITIONAL GAIN WITH FADER IN MAX. POSITION
- SAFETY COMPONENT
(MUST BE REPLACED BY ORIGINAL PART)

RATED CONDITIONS:

GAIN POTS MIN. OR MAX.
ALL POTS IN CENTER-POSITION
ALL FADERS AT 0dB
MASTER-FADER-L/R AT +6dB



ALTERATIONS RESERVED!		81358C	
DATE	NAME	07.04.2004	13:25:01
DATE	NAME	08.04.2004	14:03:54
DSG'D	Lang F.		
CHK'D			
APP'D			
ISSUE	REVISION	DATE	NAME
EVI AUDIO		CIRCUIT DIAGRAM 2/2	
362 339		2-	
PM1000/PM1600		-2	

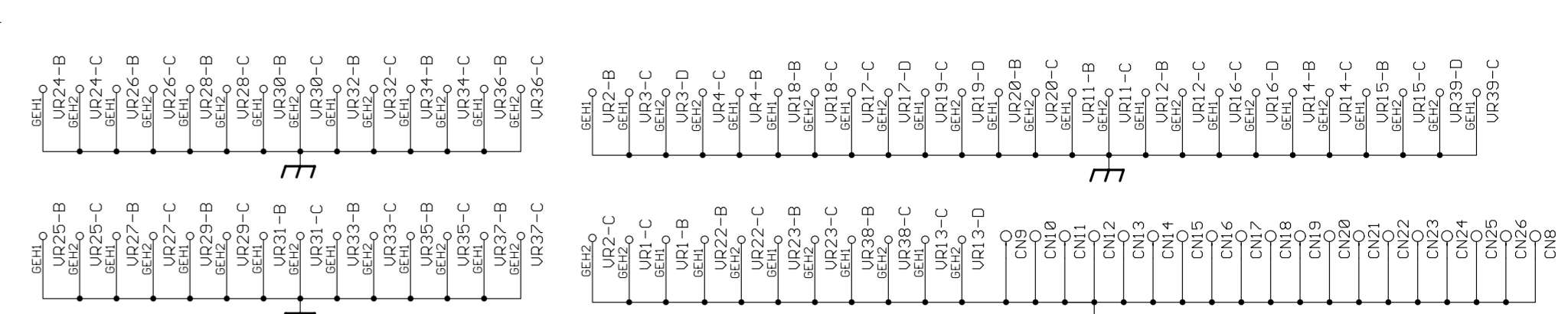


NOTES:

- AC VOLTAGE 1000 HZ, MEASURED WITH UTUM
- DC VOLTAGE MEASURED WITH VOLTMETER 100KOHM/V
- FADER IN RATED POSITION
- ADDITIONAL GAIN WITH FADER IN MAX. POSITION
- SAFETY COMPONENT MUST BE REPLACED BY ORIGINAL PART

RATED CONDITIONS:

- GAIN POTS MIN. OR MAX.
- ALL POTS IN CENTER-POSITION
- FALL FADERS AT 0dB
- MASTER-FADER-L/R AT +6dB



ALTERATIONS RESERVED!

ISSUE	REVISION	DATE	NAME

Last modified	07.04.2004 13:36:52
Last plotted	08.04.2004 14:05:07
DATE	2003
NAME	strangl r.
DESIGNER	en/ra
APP'D	
CHK'D	

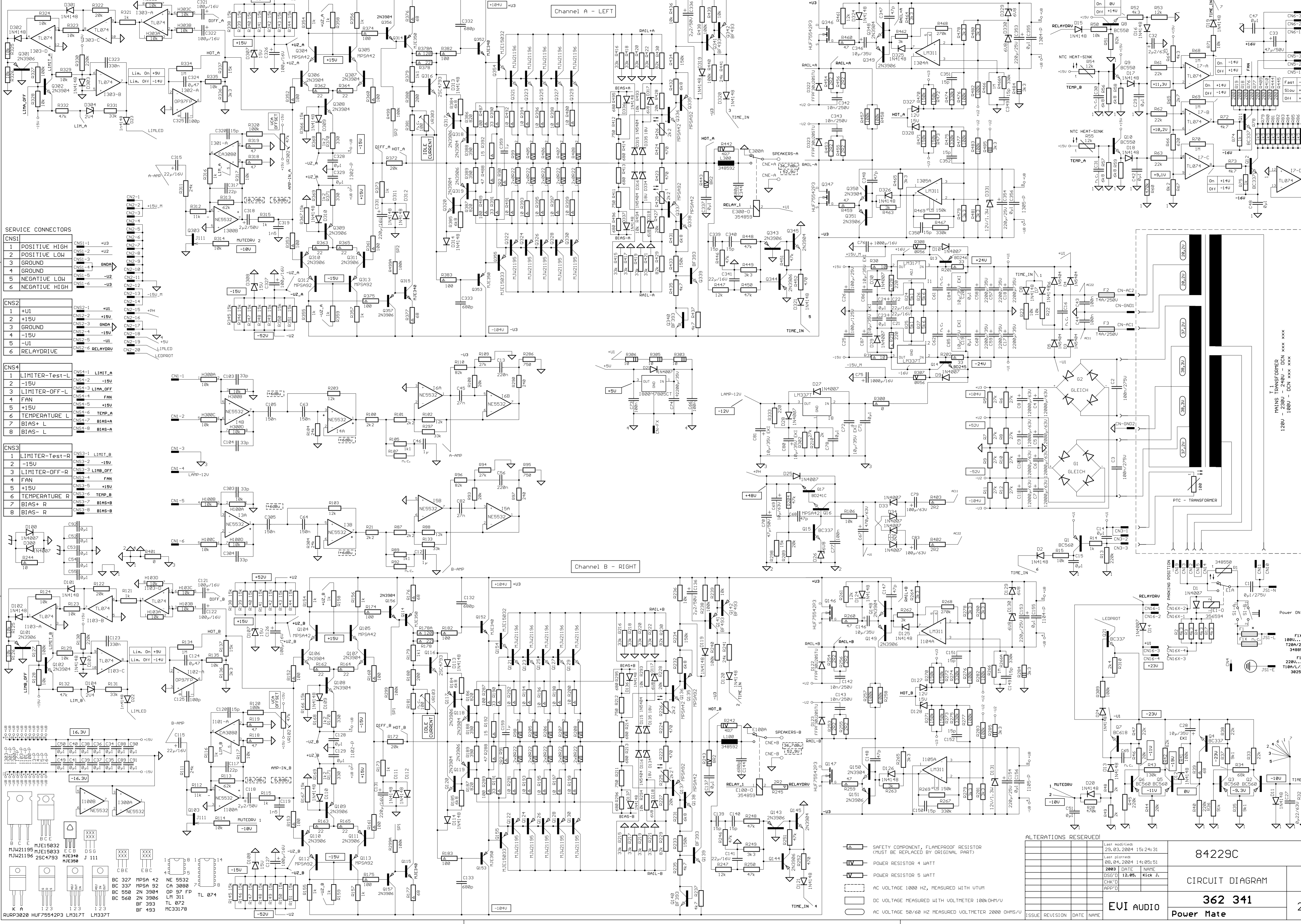
82234C

CIRCUIT DIAGRAM >SHEET#

EVI AUDIO

362 340

2-



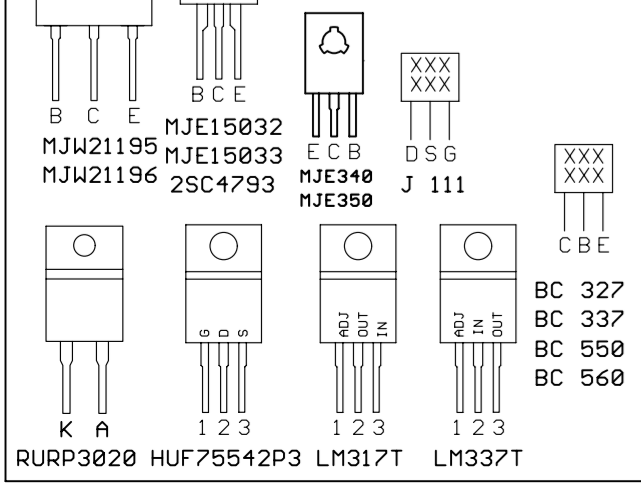
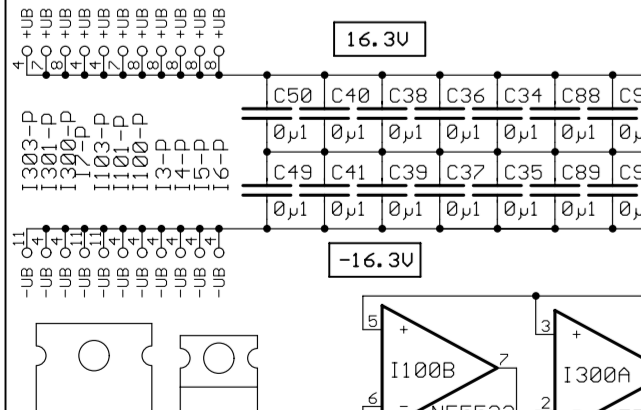
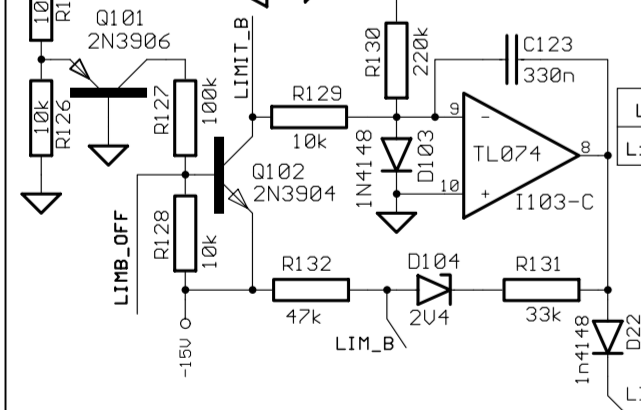
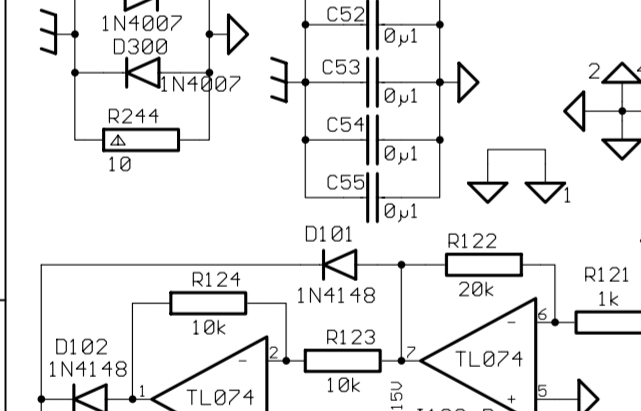
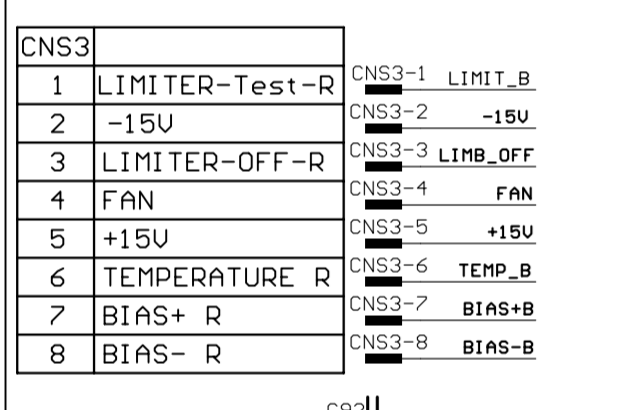
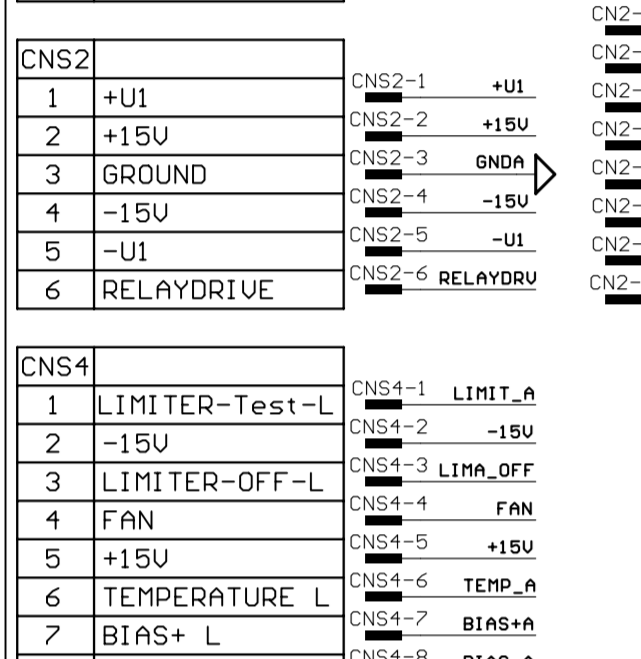
SERVICE CONNECTORS

CNS1	1	2	3	4	5	6
POSITIVE HIGH	POSITIVE LOW	GROUND	GROUND	NEGATIVE LOW	NEGATIVE HIGH	
CNS1-1	CNS1-2	CNS1-3	CNS1-4	CNS1-5	CNS1-6	
+U3	+U2	GNDA	GNDA	-U2	-U3	

CNS2	1	2	3	4	5	6
+U1	+15V	GROUND	-15V	-U1	RELAYDRIVE	
CNS2-1	CNS2-2	CNS2-3	CNS2-4	CNS2-5	CNS2-6	
+U1	+15V	GNDA	-15V	-U1	RELAYDRIVE	

CNS4	1	2	3	4	5	6	7	8
LIMITER-Test-L	-15V	LIMITER-OFF-L	FAN	+15V	TEMPERATURE L	BIAS+ L	BIAS- L	
CNS4-1	CNS4-2	CNS4-3	CNS4-4	CNS4-5	CNS4-6	CNS4-7	CNS4-8	
LIMIT_A	-15V	LIMB_OFF	FAN	+15V	TEMP_A	BIAS+A	BIAS-A	

CNS3	1	2	3	4	5	6	7	8
LIMITER-Test-R	-15V	LIMITER-OFF-R	FAN	+15V	TEMPERATURE R	BIAS+ R	BIAS- R	
CNS3-1	CNS3-2	CNS3-3	CNS3-4	CNS3-5	CNS3-6	CNS3-7	CNS3-8	
LIMIT_B	-15V	LIMB_OFF	FAN	+15V	TEMP_B	BIAS+B	BIAS-B	



Component List:

- BC 327 MPSA 42
- BC 337 MPSA 92
- BC 550 2N 3904
- BC 550 2N 3906
- BC 560 2N 393
- BC 560 2N 393
- BF 493
- BF 493
- CA 3080
- OP 97 FP
- LM 311
- TL 072
- HC3317B

- SAFETY COMPONENT, FLAMEPROOF RESISTOR (MUST BE REPLACED BY ORIGINAL PART)
- POWER RESISTOR 4 WATT
- POWER RESISTOR 5 WATT
- AC VOLTAGE 1000 HZ, MEASURED WITH UTUM
- DC VOLTAGE MEASURED WITH VOLTMETER 100K OHM/V
- AC VOLTAGE 50/60 HZ MEASURED VOLTMETER 2000 OHM/V

ALTERATIONS RESERVED!

ISSUE	REVISION	DATE	NAME

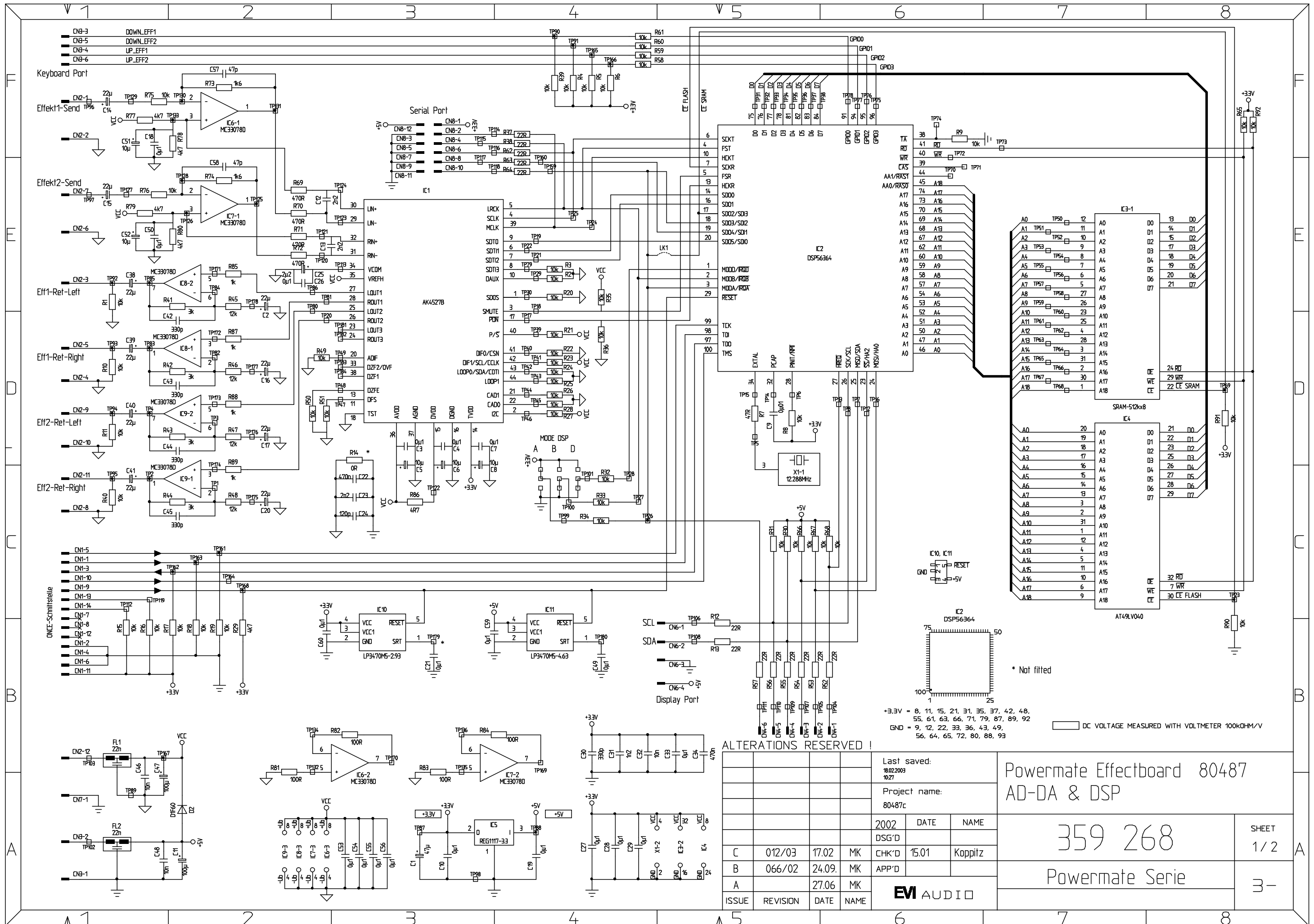
84229C

CIRCUIT DIAGRAM

362 341

Power Mate

2-



+3.3V = 8, 11, 15, 21, 31, 35, 37, 42, 48, 55, 61, 63, 66, 71, 79, 87, 89, 92
 GND = 9, 12, 22, 33, 36, 43, 49, 56, 64, 65, 72, 80, 88, 93

DC VOLTAGE MEASURED WITH VOLTMETER 100kOHM/V

ALTERATIONS RESERVED !

Last saved:				18.02.2003 10:27	
Project name:				80487c	
2002	DATE	NAME			
C	012/03	17.02	MK	CHK'D	15.01
B	066/02	24.09.	MK	APP'D	
A		27.06	MK		
ISSUE	REVISION	DATE	NAME	EVI AUDIO	

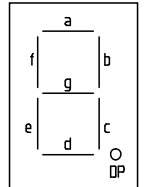
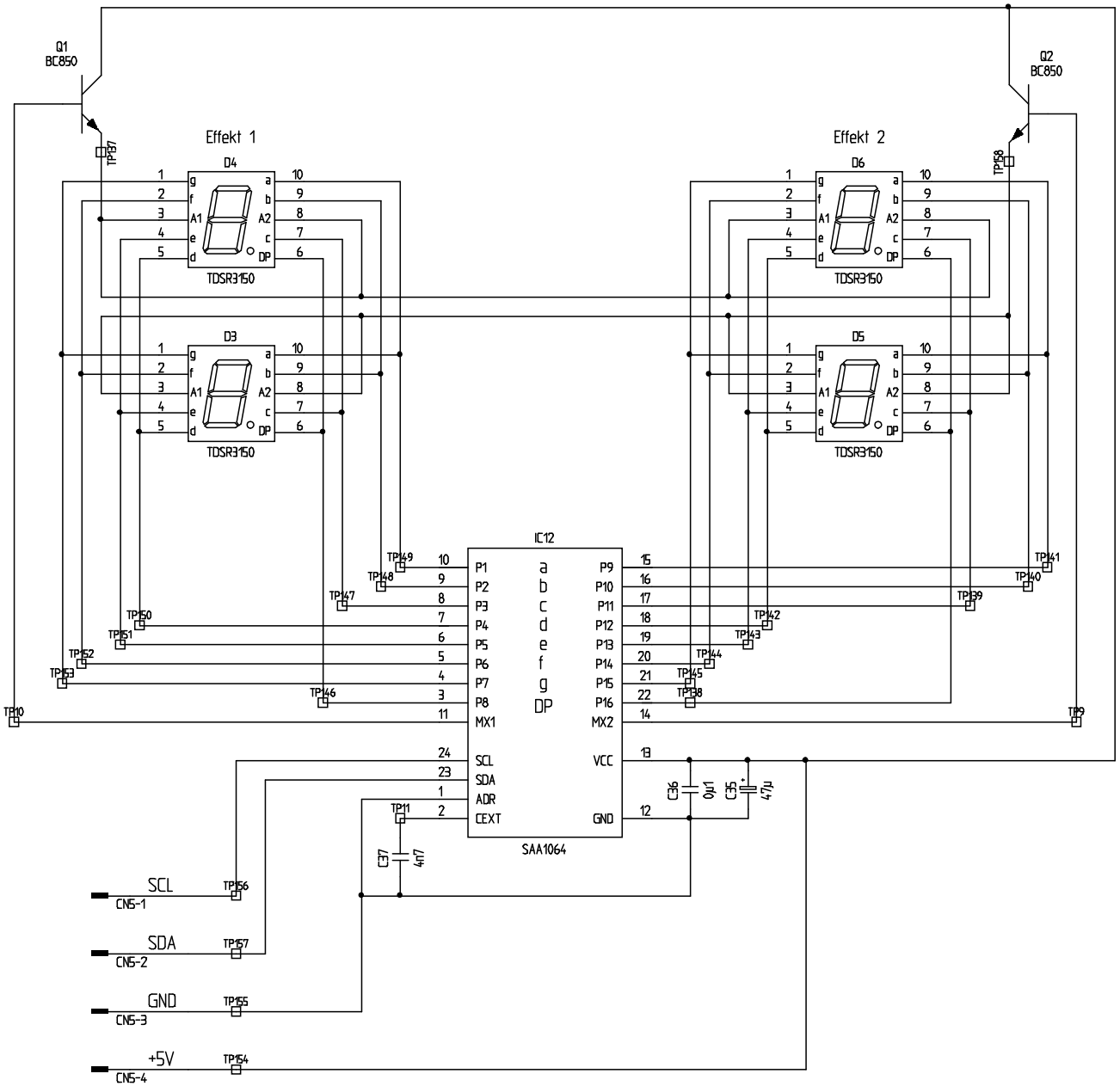
Powermate Effectboard 80487
 AD-DA & DSP

359 268

Powermate Serie

SHEET 1/2

3-



ALTERATIONS RESERVED !

				Last saved: 18.02.2003 10:27		Powermate Effectboard 80487		
				Project name: 80487c		Display		
				2002	DATE	NAME	359 268	
				DSG'D	15.01.	Koppitz		SHEET 2 / 2
				CHK'D				4 -
C	012/03	17.02	MK	APP'D			Powermate Serie	
B	066/02	24.09.	MK					4 -
A		27.06	MK					
ISSUE	REVISION	DATE	NAME	EVI AUDIO □				