

Soundcraft Electronics Limited
own the copyright of this drawing
which is not to be copied, reproduced

NOTES

HOLE INDEX

□	□
□	□

TOLERANCES

HOLE SIZES AFTER PAINTING

0-3mm	+ 0.10
	- 0.00
OVER 3.6mm	+ 0.12
	- 0.00
OVER 6-10mm	+ 0.15
	- 0.00
	+ 0.18

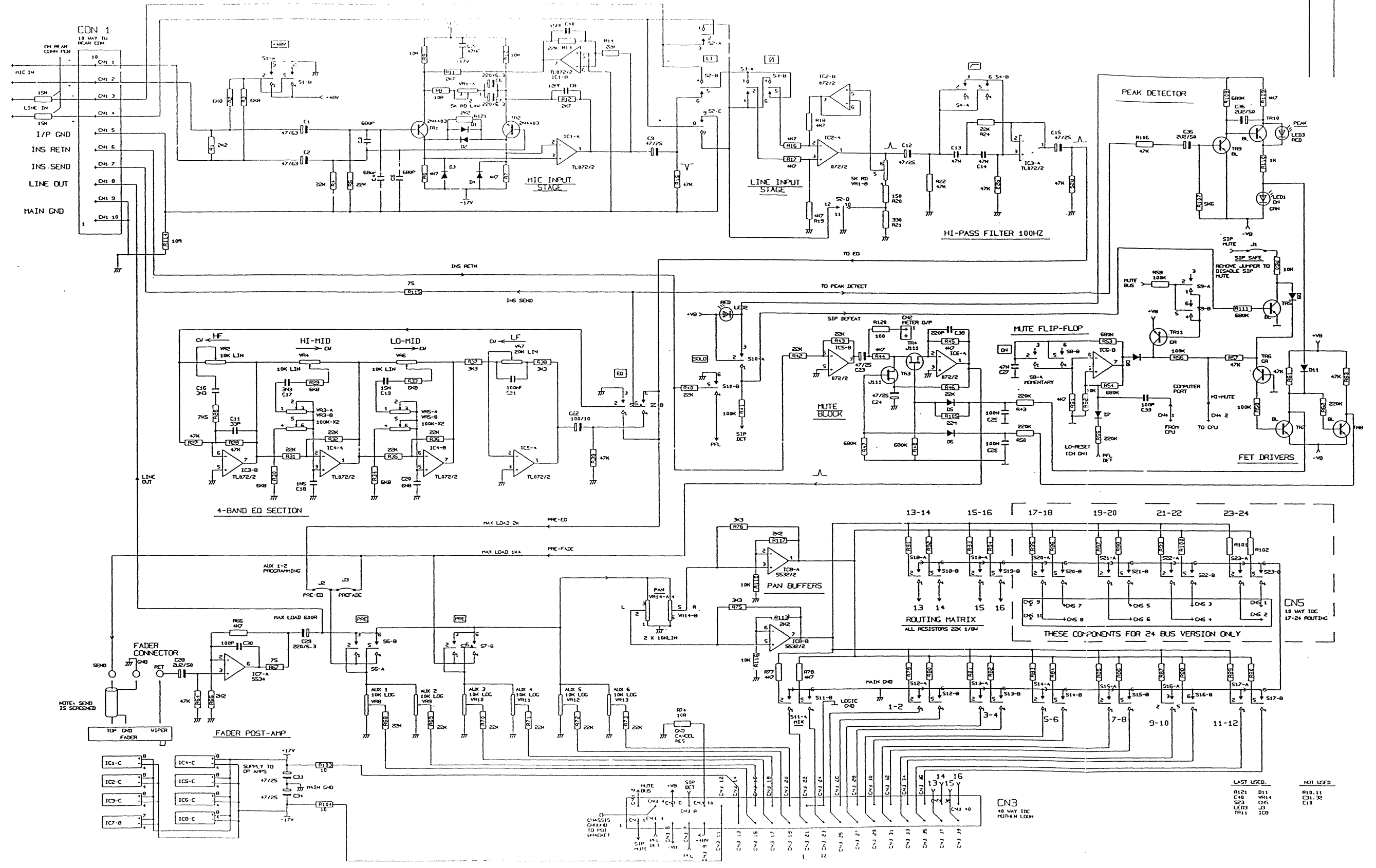
GENERAL TOLERANCES
Delete where not applicable.

	+ 0.50 mm (0.020")
	+ 0.25 mm (0.010")
	+ 0.12 mm (0.005")

MATL	DRM
FINISH	D.G.
SCALE	TRCD
	CHKD

SOUNDCRAFT ELECTRONICS LTD
UNIT 2,
BOREHAMWOOD INDUSTRIAL PARK,
ROWLEY LANE,
BOREHAMWOOD,
HERTFORDSHIRE WD6 5PZ.

TITLE
S 6000
SYSTEM DIAGRAM



Soundcraft Electronics Limited own the copyright of this drawing which is not to be copied, reproduced or disclosed, in part or whole to a third party without written permission

NOTES

IC1-C	IC4-C
IC2-C	IC5-C
IC3-C	IC6-C
IC7-B	IC8-C

HOLE INDEX

1	2	3	4	5	6	7	8	9	10	11	12	13	14	15	16	17	18	19	20	21	22	23	24
---	---	---	---	---	---	---	---	---	----	----	----	----	----	----	----	----	----	----	----	----	----	----	----

TOLERANCES

0-3mm	+0.30
OVER 3-6mm	+0.17
OVER 6-10mm	+0.35
OVER 10-18mm	+0.18
OVER 18-25mm	+0.21
OVER 25mm	+0.25

GENERAL TOLERANCES

±0.50mm	10.00%
±0.75mm	10.00%
±1.20mm	10.00%

FINISH

OG	DRN
TRCO	TRCO
ENHD	ENHD

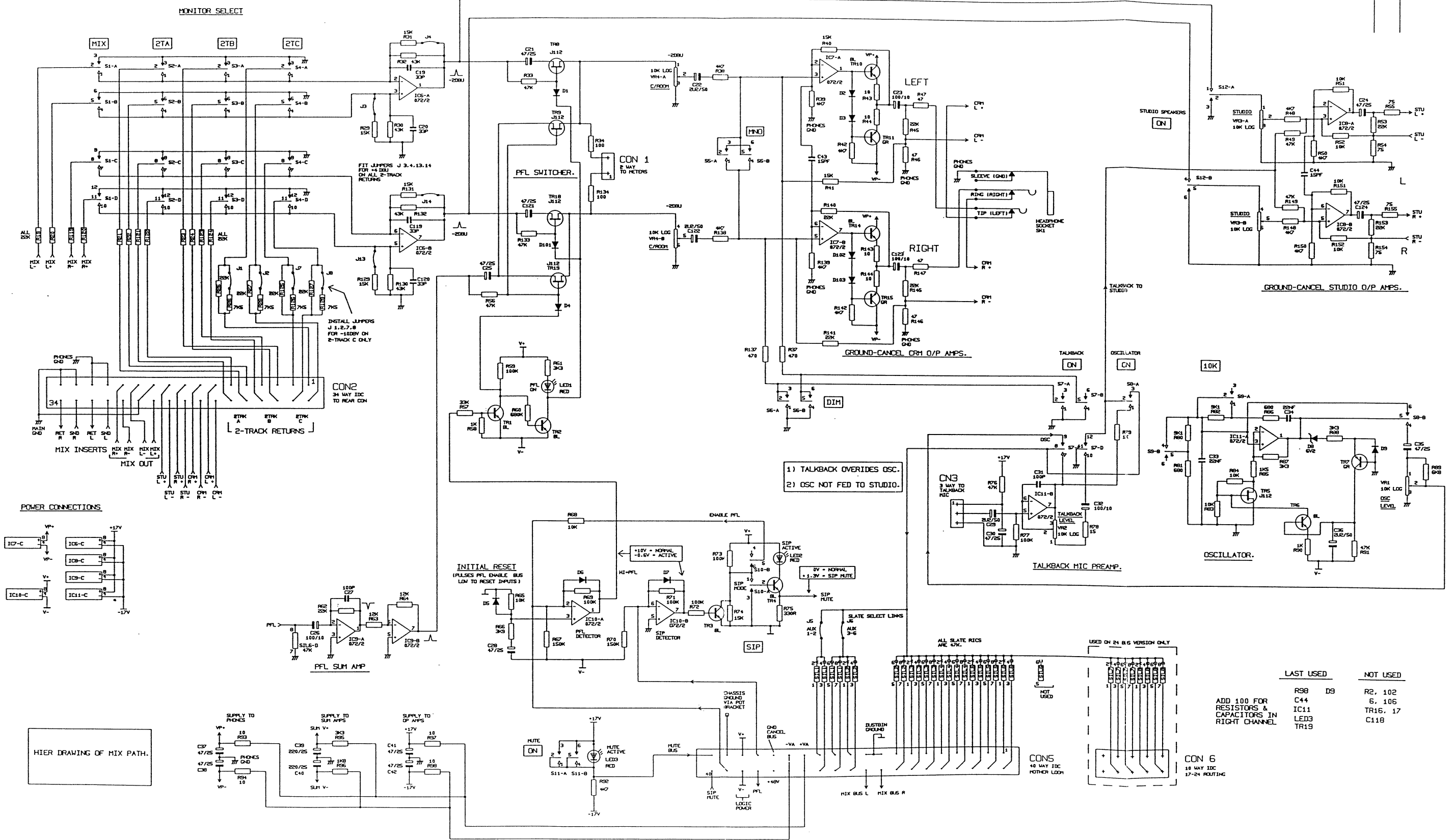
SCALE

THIRD ANGLE PROJECTION
THIS DRAWING TO COMPLY TO BS308

SOUNDCRAFT ELECTRONICS LTD
UNIT 2,
BOREHAMWOOD INDUSTRIAL PARK,
ROWLEY LANE,
BOREHAMWOOD,
HERTFORDSHIRE WD6 5PZ
TELEPHONE 01-207-5050
FACSIMILE No 2070194

TITLE
S6000
INPUT CHANNEL
PCB

DRG No ED 2721



Soundcraft Electronics Limited own the copyright of this drawing which is not to be copied, reproduced

NOTES

HOLE INDEX

TOLERANCES
HOLE SIZES AFTER PAINTING
0-3mm = +0.10
0.00
OVER 3-6mm = +0.12
0.00
OVER 6-10mm = +0.15
0.00

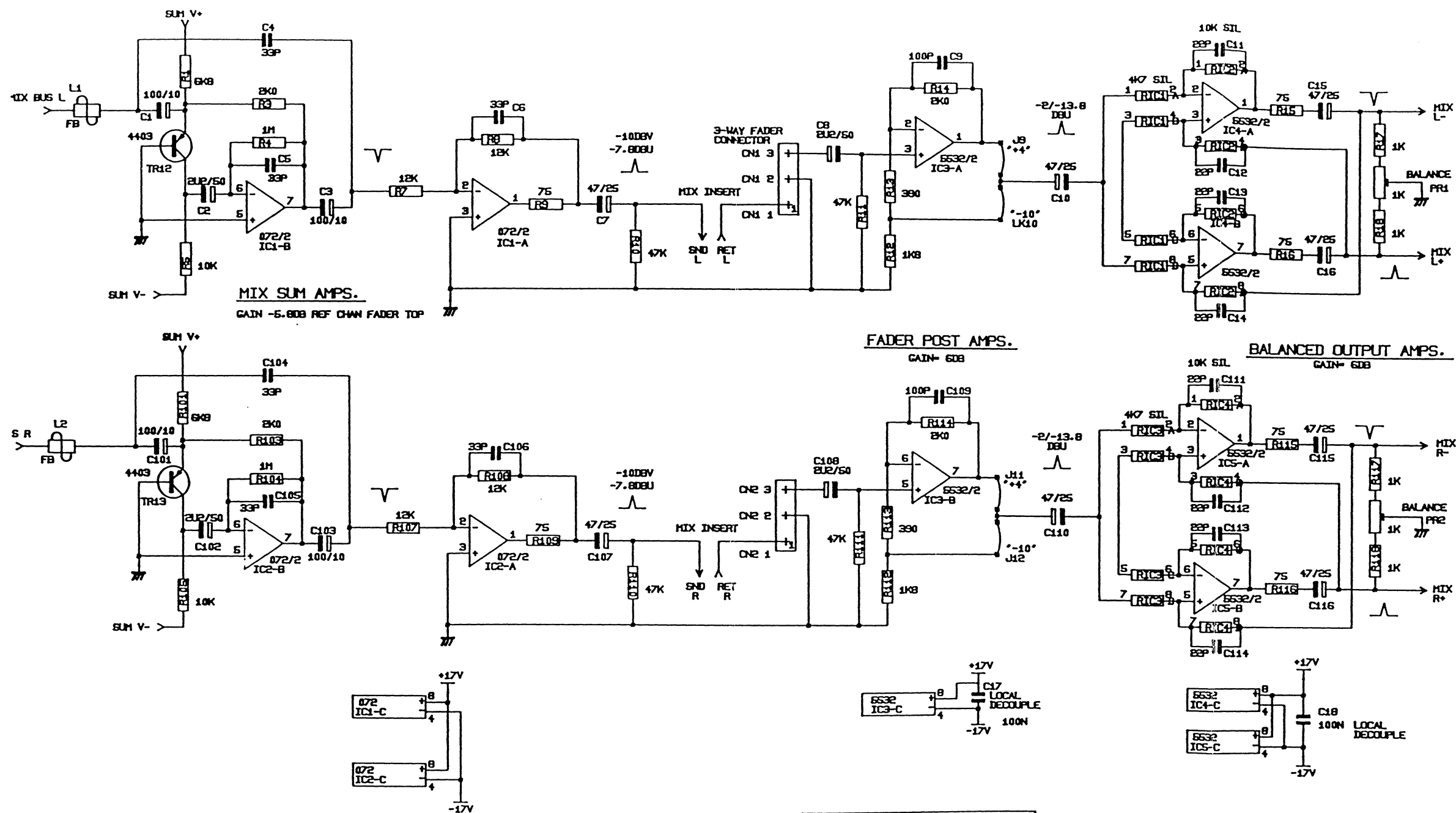
GENERAL TOLERANCES
Delete where not applicable
±0.50mm (0.020")
±0.25mm (0.010")

MATL _____
FINISH _____
SCALE _____

DRN D.P
TRCD
CHKD

SOUNDCRAFT ELECTRONICS LTD
UNIT 2,
BOREHAMWOOD INDUSTRIAL PARK,
ROWLEY LANE,
BOREHAMWOOD

TITLE S6000
MASTER R/HAND PCB
SHT 1-2



MIX SUM AMPS.
GAIN -5.608 REF CHAN FADER TOP

FADER POST AMPS.
GAIN= 608

BALANCED OUTPUT AMPS.
GAIN= 608

RESISTORS & CAPS ARE
+100 FOR RIGHT CHANNEL.

TOLERANCES	
HOLE SIZES AFTER FINISHING	
0-3mm	+0.10 -0.00
OVER 3-6mm	+0.12 -0.00
OVER 6-10mm	+0.15 -0.00
OVER 10-25mm	+0.20 -0.00
OVER 25-50mm	+0.25 -0.00

GENERAL TOLERANCE	
Delete where not applicable.	
± 0.50 mm	(0.020)
± 0.25 mm	(0.010)
± 0.12 mm	(0.005)
HOLE CENTRES ± 0.004	
ALL ANGLES ± 0.50°	

HOLE INDEX	
<input type="checkbox"/>	
<input type="checkbox"/>	
<input type="checkbox"/>	
<input type="checkbox"/>	

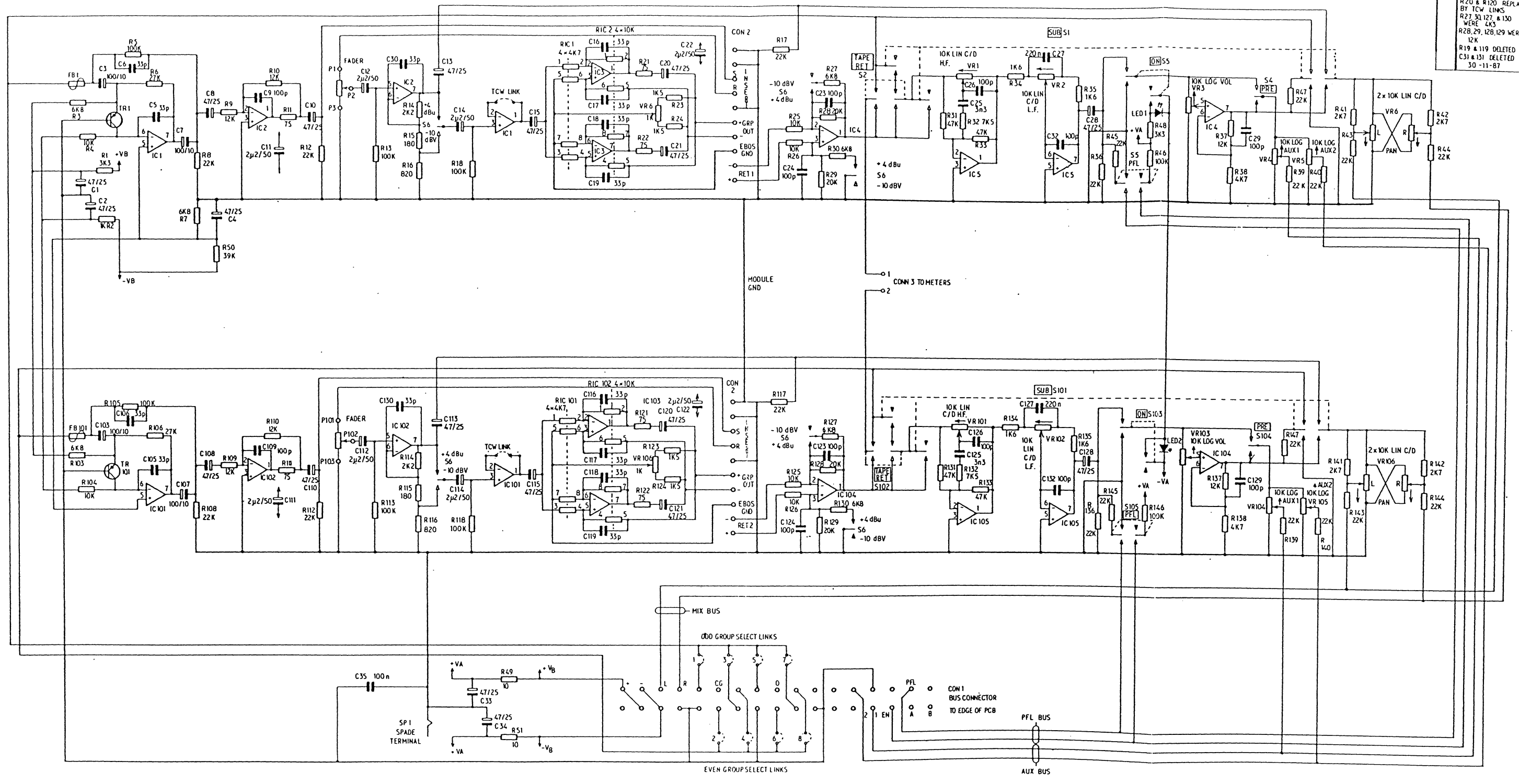
MATL	DRN
FINISH	D.P.
SCALE	TRCD
	CHKD

THIRD ANGLE PROJECTION
THIS DRAWING TO COMPLY

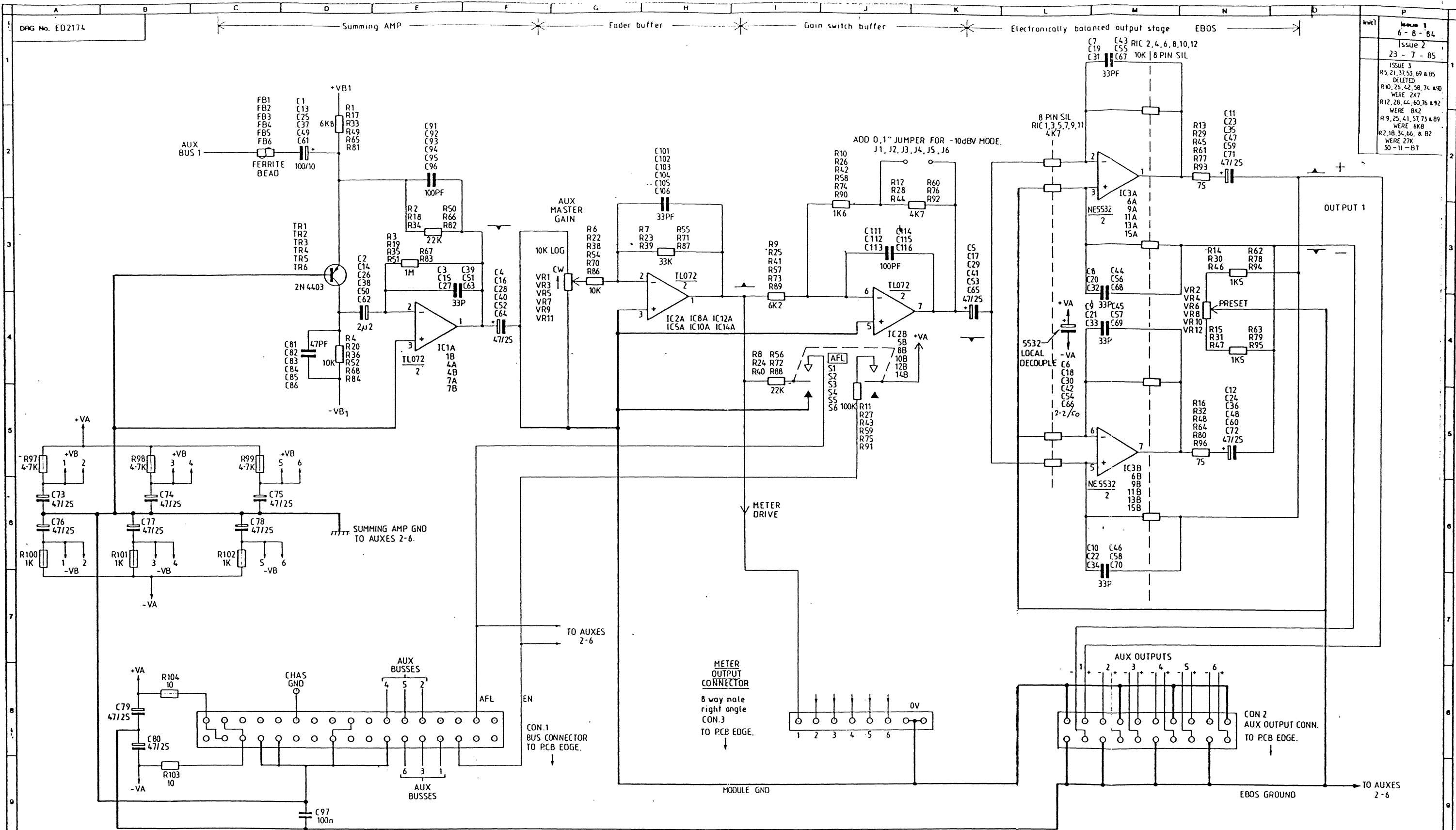
SOUNDCRAFT ELECTRONICS LTD
UNIT 2,
BOREHAMWOOD INDUSTRIAL PARK,
ROWLEY LANE,
BOREHAMWOOD,
HERTFORDSHIRE WD6 5PZ.
TELEPHONE: 01-207-5050
FACSIMILE No. 2070194.

TITLE
S6000
MASTER R/HAND PCB.
SHT. 2 - 2
DRG. No. ED 2722

Issue 5
 REDRAWN
 24 - 7 - 85
 ISSUE 6
 COMPONENTS ADDED
 7 - 8 - 85
 ISSUE 7
 R20 & R120 REPLACED
 BY TCW LINKS
 R27, 30, 127, & 130
 WERE 4K5
 R28, 29, 128, 129 WERE
 12K
 R19 & 119 DELETED
 C31 & 131 DELETED
 30-11-87

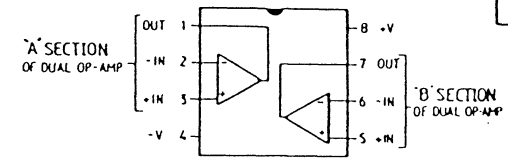


COMPONENT	DEVICE	PART N°
IC 2, 3, 102, 103	NE 5532	BEO 428
IC 1, 4, 5, 101, 104, 105	TL072	BEO 415
TR 1, 101	2N4403	BDO 329
LED 1, 2	TLG102	JA0001



Issue 1	6-8-84
Issue 2	23-7-85
Issue 3	R5, 21, 37, 53, 69 & 85 DELETED
	R10, 26, 42, 58, 74 & 90 WERE 2K7
	R12, 28, 44, 60, 76 & 92 WERE 8K2
	R 9, 25, 41, 57, 73 & 89 WERE 6K8
	R2, 18, 34, 66, & 82 WERE 27K
	30-11-87

COMPONENT	DEVICE	PART No.
IC 1, 2, 4, 5, 7, 8, 10, 12, 14	TL072	BE0413
IC 3, 6, 9, 11, 13, 15	NESS32	BE0428
TR 1, 2, 3, 4, 5, 6	2N4403	300329

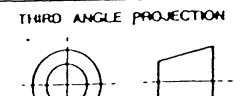


Soundcraft Electronics Limited own the copyright of the drawing

NOTES.
Only 1 section shown the other 5 sections are identical, component numbers shown for

HOLE INDEX.

TOLERANCE.
All Imperial dimensions ± 0.010
All metric dimensions $\pm 0.25mm$



MATL.
FINISH.

DWG. DS
T.DCD. Sharon
SOUNDCRAFT ELECTRONICS LTD.
5-8 GREAT BUTTON STREET
LONDON, EC1V, 0BX.
TELEPHONE. 01-251-3631/2/3

TITLE. SS001/600
AUX MASTER LH
(CIRCUIT DIAGRAM)