

DRAWING NUMBER ISSUE
S-S2001AS-02A

Soundcraft
 A DIVISION OF HARMAN INTERNATIONAL INDUSTRIES LIMITED
 CRANBORNE HOUSE
 CRANBORNE ROAD
 POTTERS BAR
 HERTFORDSHIRE
 EN6 3JN
 TEL: +44 (0)1707 665000
 FAX: +44 (0)1707 660482

TITLE: **E8 MIXER**

SHEET 2 OF 12

FILENAME: S-S2001AS-02A.SCH

DRAWN: AC

DATE: 20/01/01

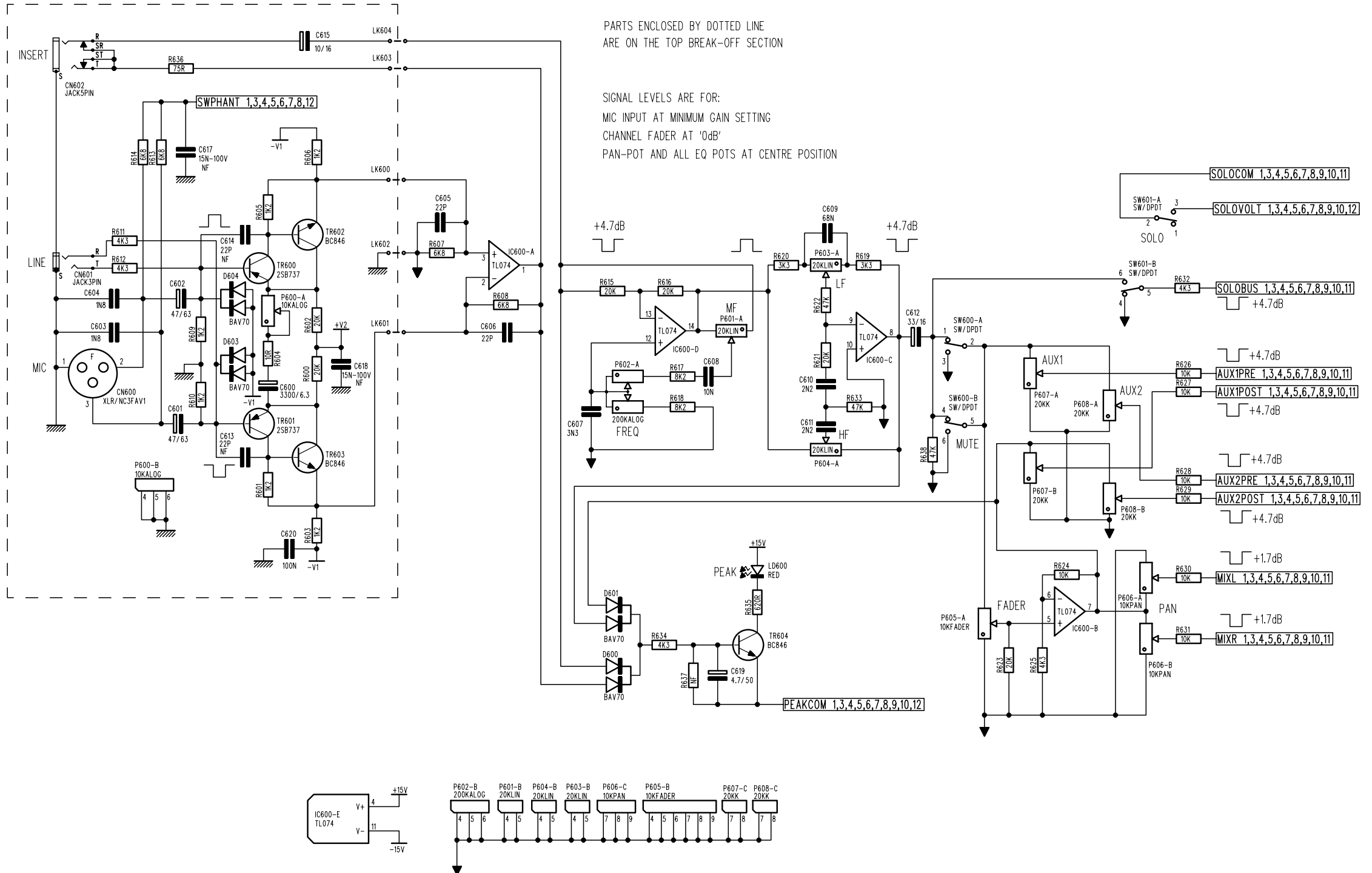
CHECKED:

MATERIAL:

FINISH:

ISSUE COMMENTS:

**ELECTRONIC SERVICE
 TIRGOVISTE**



SOUNDCRAFT OWN THE COPYRIGHT OF THIS DRAWING WHICH IS NOT TO BE COPIED, REPRODUCED OR DISCLOSED IN PART OR WHOLE TO A THIRD PARTY WITHOUT PRIOR WRITTEN PERMISSION ©SOUNDCRAFT, A DIVISION OF HARMAN INTERNATIONAL INDUSTRIES LIMITED

DRAWING NUMBER ISSUE
S-S2001AS-02A

Soundcraft
 A DIVISION OF HARMAN INTERNATIONAL INDUSTRIES LIMITED
 CRANBORNE HOUSE
 CRANBORNE ROAD
 POTTERS BAR
 HERTFORDSHIRE
 EN6 3JN
 TEL: +44 (0)1707 665000
 FAX: +44 (0)1707 660482

TITLE:
E8 MIXER

SHEET 3 OF 12
 FILENAME: S-S2001AS-02A.SCH

DRAWN: AC

DATE: 20/01/01

CHECKED:

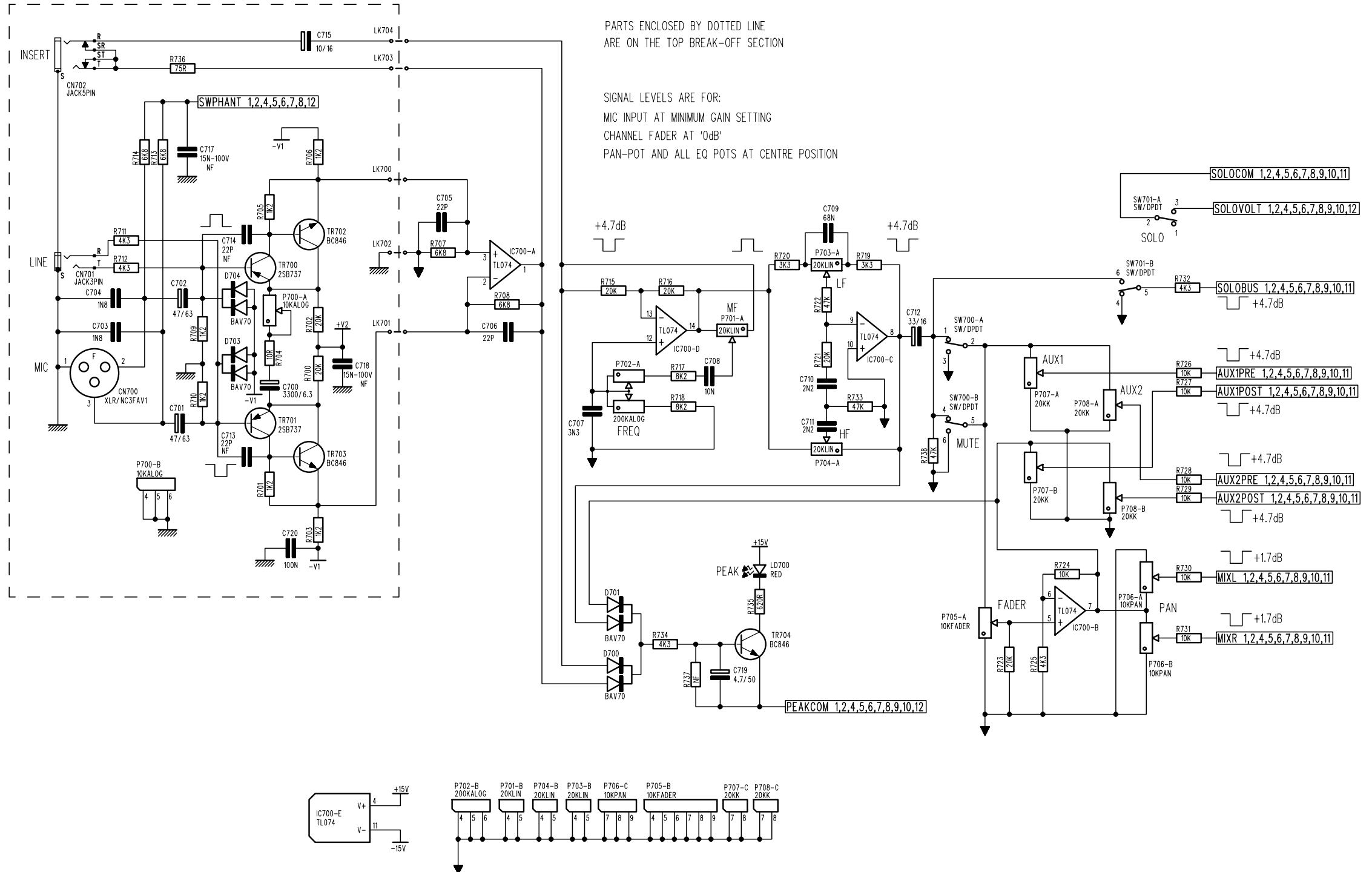
MATERIAL:

FINISH:

ISSUE COMMENTS:

SOUNDCRAFT OWN THE COPYRIGHT OF THIS DRAWING
 WHICH IS NOT TO BE COPIED, REPRODUCED OR DISCLOSED
 IN PART OR WHOLE TO A THIRD PARTY WITHOUT PRIOR WRITTEN PERMISSION
 ©SOUNDCRAFT, A DIVISION OF HARMAN INTERNATIONAL INDUSTRIES LIMITED

**ELECTRONIC SERVICE
 TIRGOVISTE**



DRAWING NUMBER ISSUE
S-S2001AS-02A

Soundcraft
 A DIVISION OF HARMAN INTERNATIONAL INDUSTRIES LIMITED
 CRANBORNE HOUSE
 CRANBORNE ROAD
 POTTERS BAR
 HERTFORDSHIRE
 EN6 3JN
 TEL: +44 (0)1707 665000
 FAX: +44 (0)1707 660482

TITLE:
E8 MIXER

SHEET 5 OF 12
 FILENAME: S-S2001AS-02A.SCH

DRAWN: AC

DATE: 20/01/01

CHECKED:

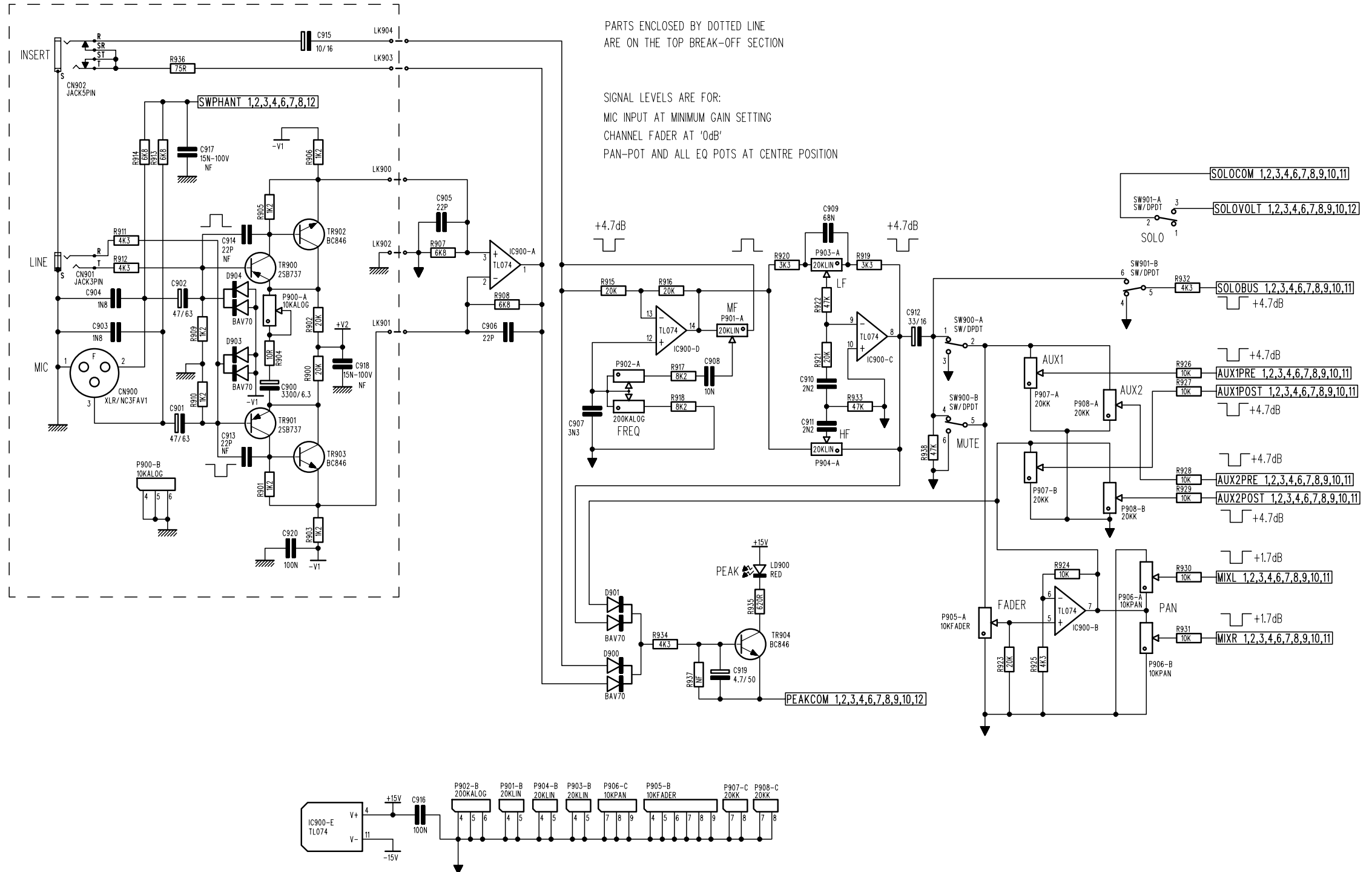
MATERIAL:

FINISH:

ISSUE COMMENTS:

SOUNDCRAFT OWN THE COPYRIGHT OF THIS DRAWING
 WHICH IS NOT TO BE COPIED, REPRODUCED OR DISCLOSED
 IN PART OR WHOLE TO A THIRD PARTY WITHOUT PRIOR WRITTEN PERMISSION
 ©SOUNDCRAFT, A DIVISION OF HARMAN INTERNATIONAL INDUSTRIES LIMITED

**ELECTRONIC SERVICE
 TIRGOVISTE**



DRAWING NUMBER ISSUE
S-S2001AS-02A

Soundcraft
 A DIVISION OF HARMAN INTERNATIONAL INDUSTRIES LIMITED
 CRANBORNE HOUSE
 CRANBORNE ROAD
 POTTERS BAR
 HERTFORDSHIRE
 EN6 3JN
 TEL: +44 (0)1707 665000
 FAX: +44 (0)1707 660482

TITLE:
E8 MIXER

SHEET 6 OF 12
 FILENAME: S-S2001AS-02A.SCH

DRAWN: AC

DATE: 20/01/01

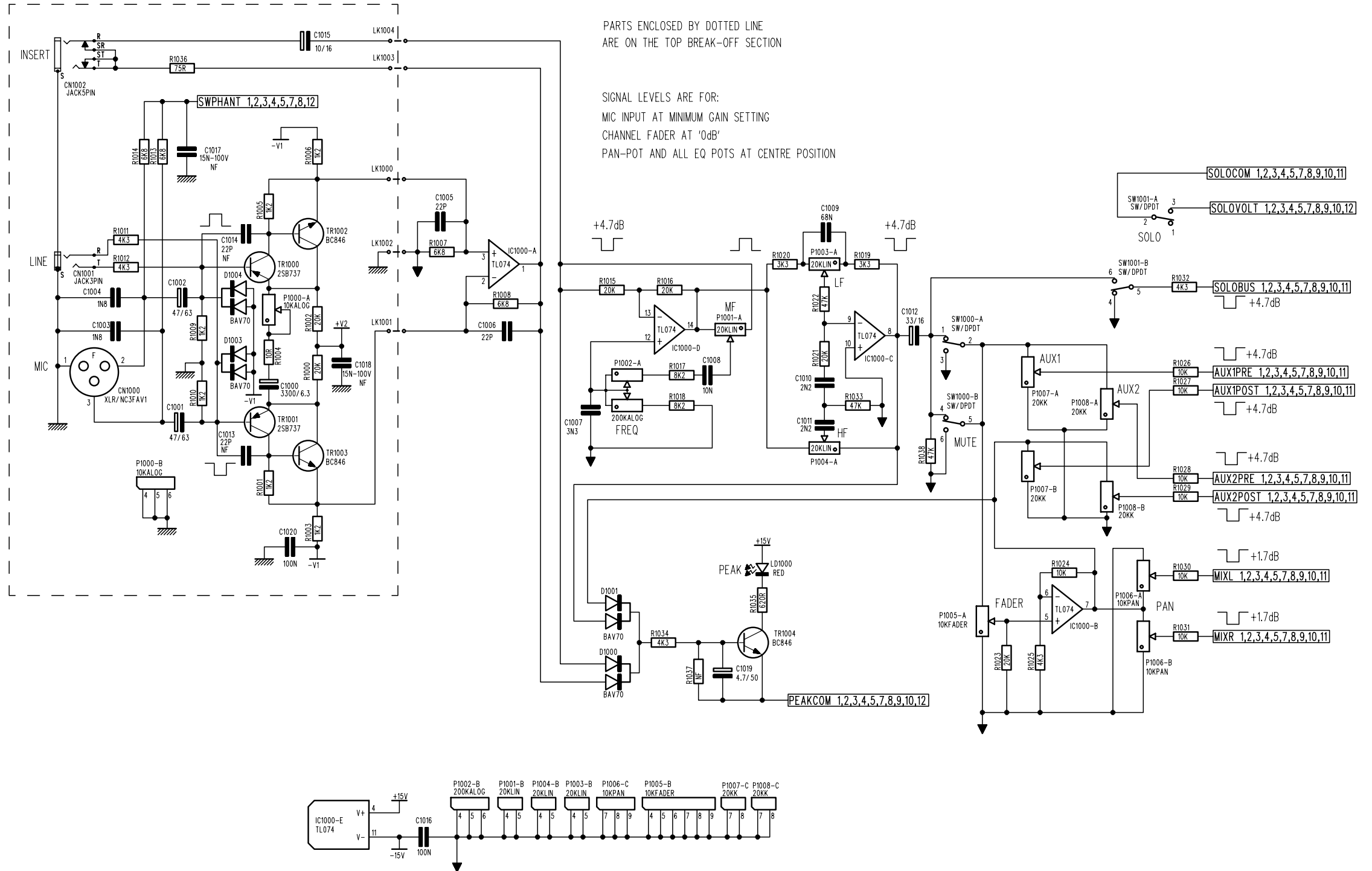
CHECKED:

MATERIAL:

FINISH:

ISSUE COMMENTS:

**ELECTRONIC SERVICE
 TIRGOVISTE**



DRAWING NUMBER ISSUE
S-S2001AS-02A

Soundcraft
 A DIVISION OF HARMAN INTERNATIONAL INDUSTRIES LIMITED
 CRANBORNE HOUSE
 CRANBORNE ROAD
 POTTERS BAR
 HERTFORDSHIRE
 EN6 3JN
 TEL: +44 (0)1707 665000
 FAX: +44 (0)1707 660482

TITLE: **E8 MIXER**

SHEET 7 OF 12
 FILENAME: S-S2001AS-02A.SCH

DRAWN: AC

DATE: 20/01/01

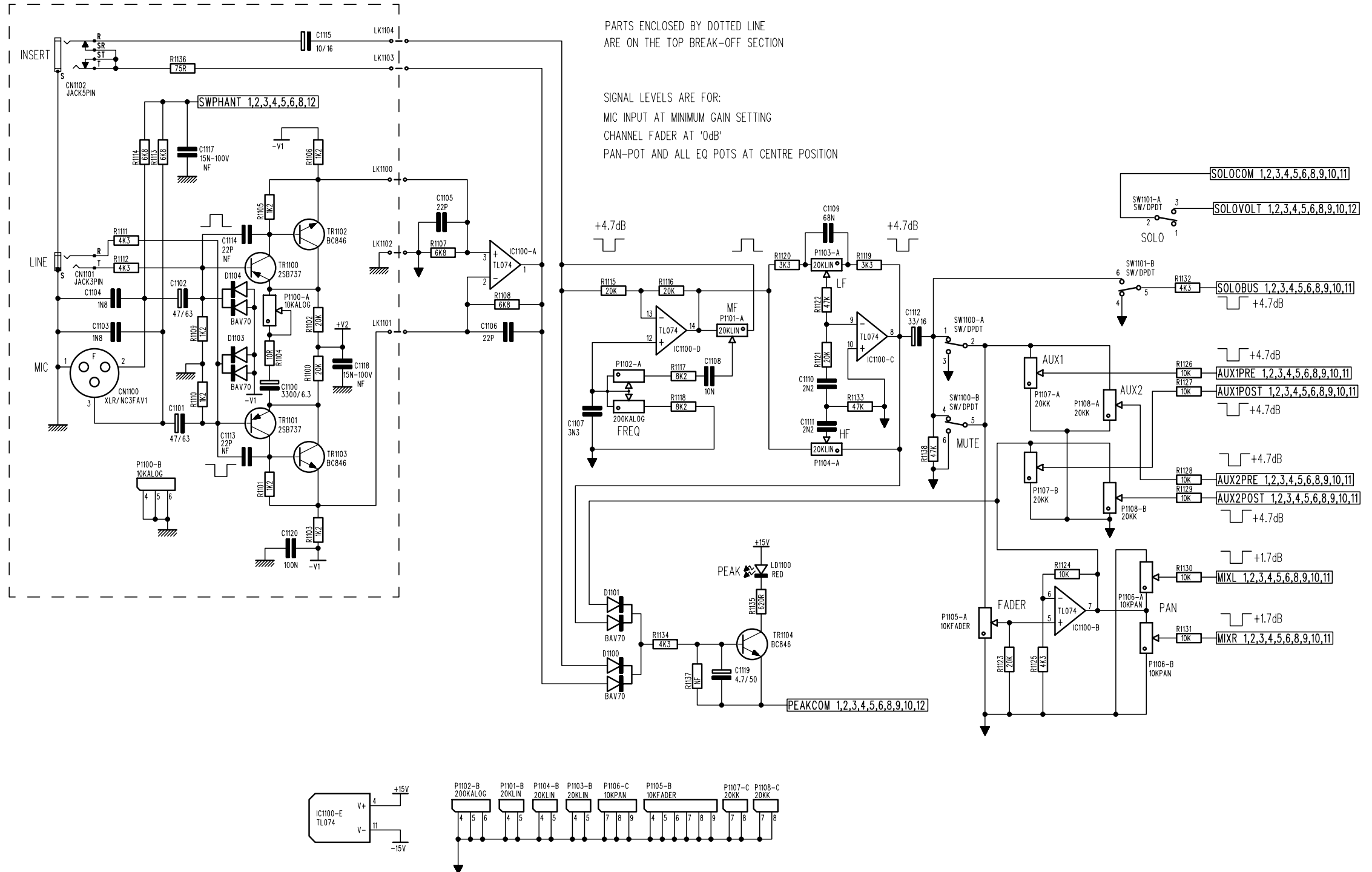
CHECKED:

MATERIAL:

FINISH:

ISSUE COMMENTS:

**ELECTRONIC SERVICE
 TIRGOVISTE**



SOUNDCRAFT OWN THE COPYRIGHT OF THIS DRAWING WHICH IS NOT TO BE COPIED, REPRODUCED OR DISCLOSED IN PART OR WHOLE TO A THIRD PARTY WITHOUT PRIOR WRITTEN PERMISSION ©SOUNDCRAFT, A DIVISION OF HARMAN INTERNATIONAL INDUSTRIES LIMITED

DRAWING NUMBER ISSUE
S-S2001AS-02A

Soundcraft
 A DIVISION OF HARMAN INTERNATIONAL INDUSTRIES LIMITED
 CRANBORNE HOUSE
 CRANBORNE ROAD
 POTTERS BAR
 HERTFORDSHIRE
 EN6 3JN
 TEL: +44 (0)1707 665000
 FAX: +44 (0)1707 660482

TITLE: **E8 MIXER**

FILENAME: S-S2001AS-02A.SCH

DRAWN: AC

DATE: 20/01/01

CHECKED:

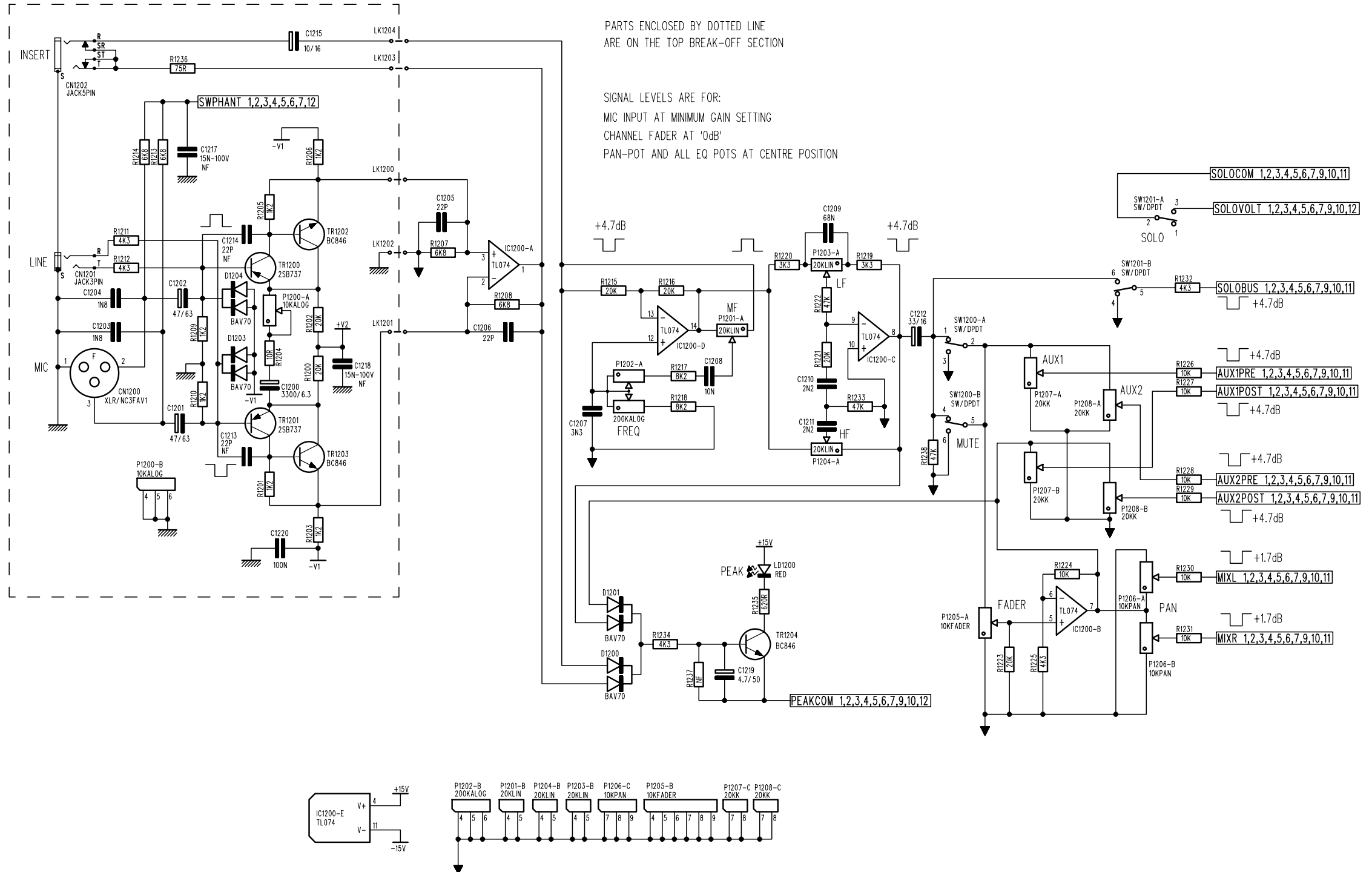
MATERIAL:

FINISH:

ISSUE COMMENTS:

SOUNDCRAFT OWN THE COPYRIGHT OF THIS DRAWING
 WHICH IS NOT TO BE COPIED, REPRODUCED OR DISCLOSED
 IN PART OR WHOLE TO A THIRD PARTY WITHOUT PRIOR WRITTEN PERMISSION
 ©SOUNDCRAFT, A DIVISION OF HARMAN INTERNATIONAL INDUSTRIES LIMITED

**ELECTRONIC SERVICE
 TIRGOVISTE**



DRAWING NUMBER ISSUE
S-S2001AS-02A

Soundcraft
 A DIVISION OF HARMAN INTERNATIONAL INDUSTRIES LIMITED
 CRANBORNE HOUSE
 CRANBORNE ROAD
 POTTERS BAR
 HERTFORDSHIRE
 EN6 3JN
 TEL: +44 (0)1707 665000
 FAX: +44 (0)1707 660482

TITLE: **E8 MIXER**

FILENAME: S-S2001AS-02A.SCH

DRAWN: AC

DATE: 20/01/01

CHECKED:

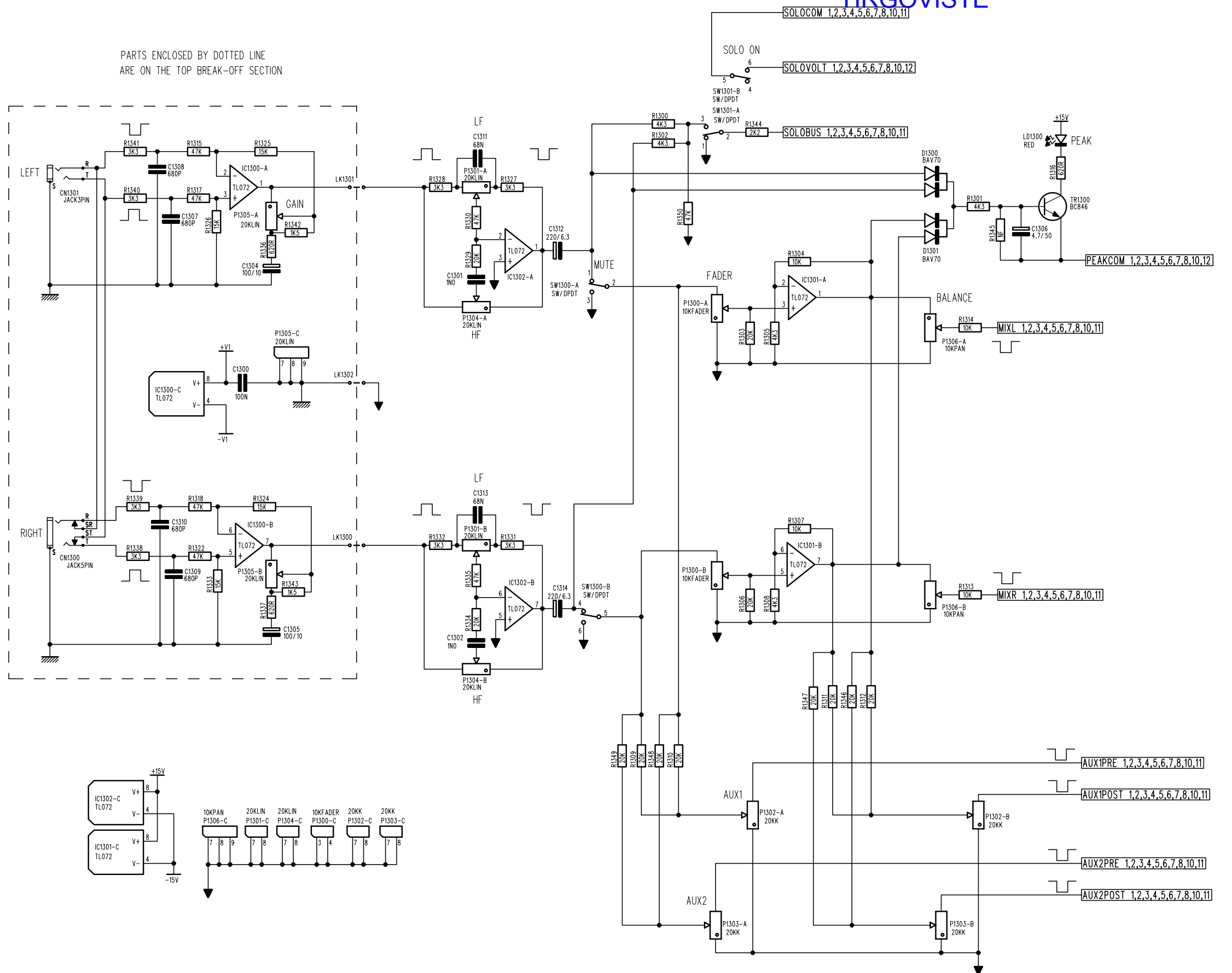
MATERIAL:

FINISH:

ISSUE COMMENTS:

SOUNDCRAFT OWNS THE COPYRIGHT OF THIS DRAWING
 WHICH IS NOT TO BE COPIED, REPRODUCED OR DISCLOSED
 IN PART OR WHOLE TO A THIRD PARTY WITHOUT PRIOR WRITTEN PERMISSION
 ©SOUNDCRAFT, A DIVISION OF HARMAN INTERNATIONAL INDUSTRIES LIMITED

**ELECTRONIC SERVICE
 TIRGOVISTE**



DRAWING NUMBER ISSUE
S-S2001AS-02A

Soundcraft
 A DIVISION OF HARMAN INTERNATIONAL INDUSTRIES LIMITED
 CRANBORNE HOUSE
 CRANBORNE ROAD
 POTTERS BAR
 HERTFORDSHIRE
 EN6 3JN
 TEL: +44 (0)1707 665000
 FAX: +44 (0)1707 660482

TITLE: **E8 MIXER**

SHEET 10 OF 12
 FILENAME: S-S2001AS-02A.SCH

DRAWN: AC

DATE: 20/01/01

CHECKED:

MATERIAL:

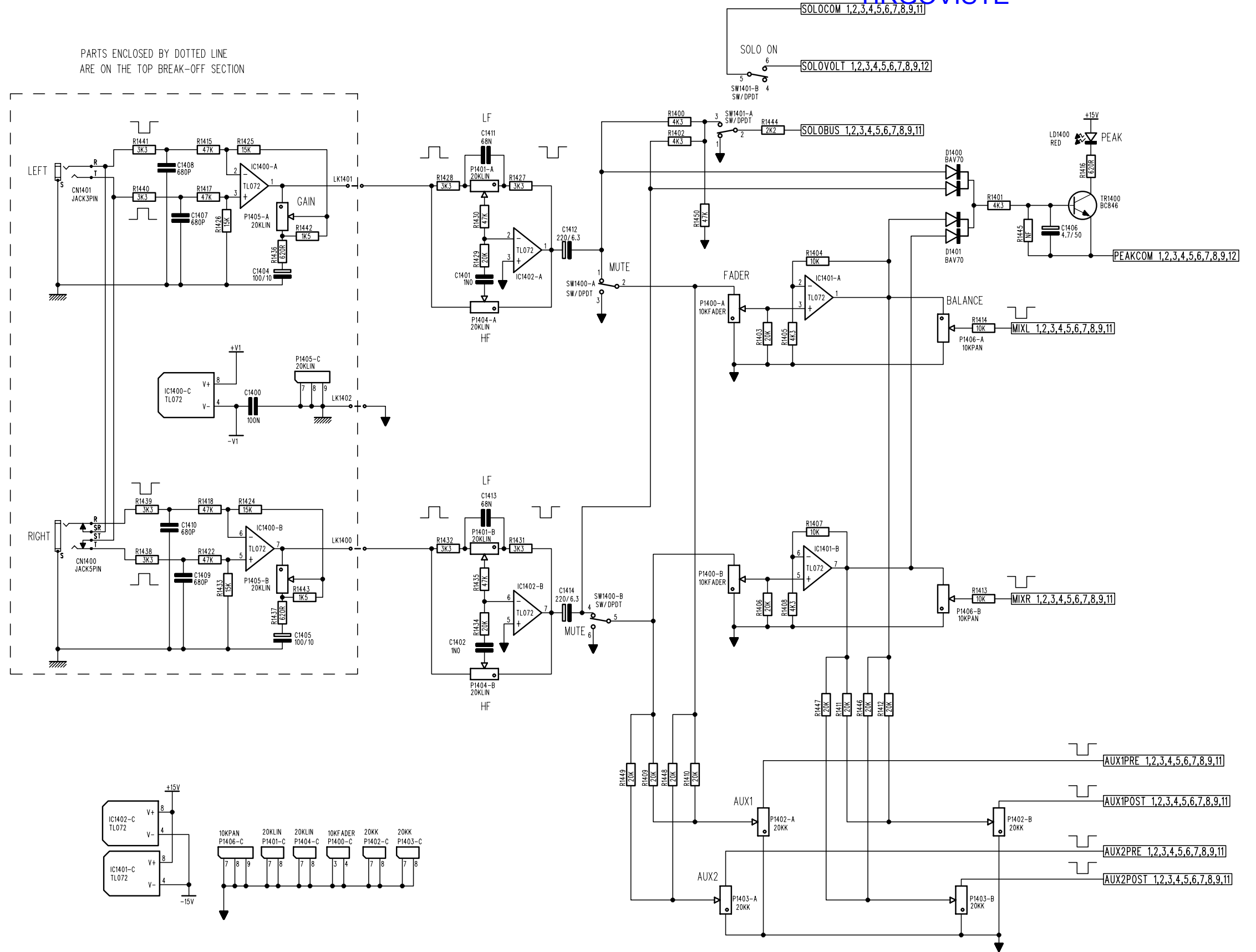
FINISH:

ISSUE COMMENTS:

SOUNDCRAFT OWNS THE COPYRIGHT OF THIS DRAWING
 WHICH IS NOT TO BE COPIED, REPRODUCED OR DISCLOSED
 IN PART OR WHOLE TO A THIRD PARTY WITHOUT PRIOR WRITTEN PERMISSION
 ©SOUNDCRAFT, A DIVISION OF HARMAN INTERNATIONAL INDUSTRIES LIMITED

**ELECTRONIC SERVICE
 TIRGOVISTE**

PARTS ENCLOSED BY DOTTED LINE
 ARE ON THE TOP BREAK-OFF SECTION



DRAWING NUMBER ISSUE
S-S2001AS-02A

Soundcraft
 A DIVISION OF HARMAN INTERNATIONAL INDUSTRIES LIMITED
 CRANBORNE HOUSE
 CRANBORNE ROAD
 POTTERS BAR
 HERTFORDSHIRE
 EN6 3JN
 TEL: +44 (0)1707 665000
 FAX: +44 (0)1707 660482

TITLE: **E8 MIXER**

FILENAME: S-S2001AS-02A.SCH

DRAWN: AC

DATE: 20/01/01

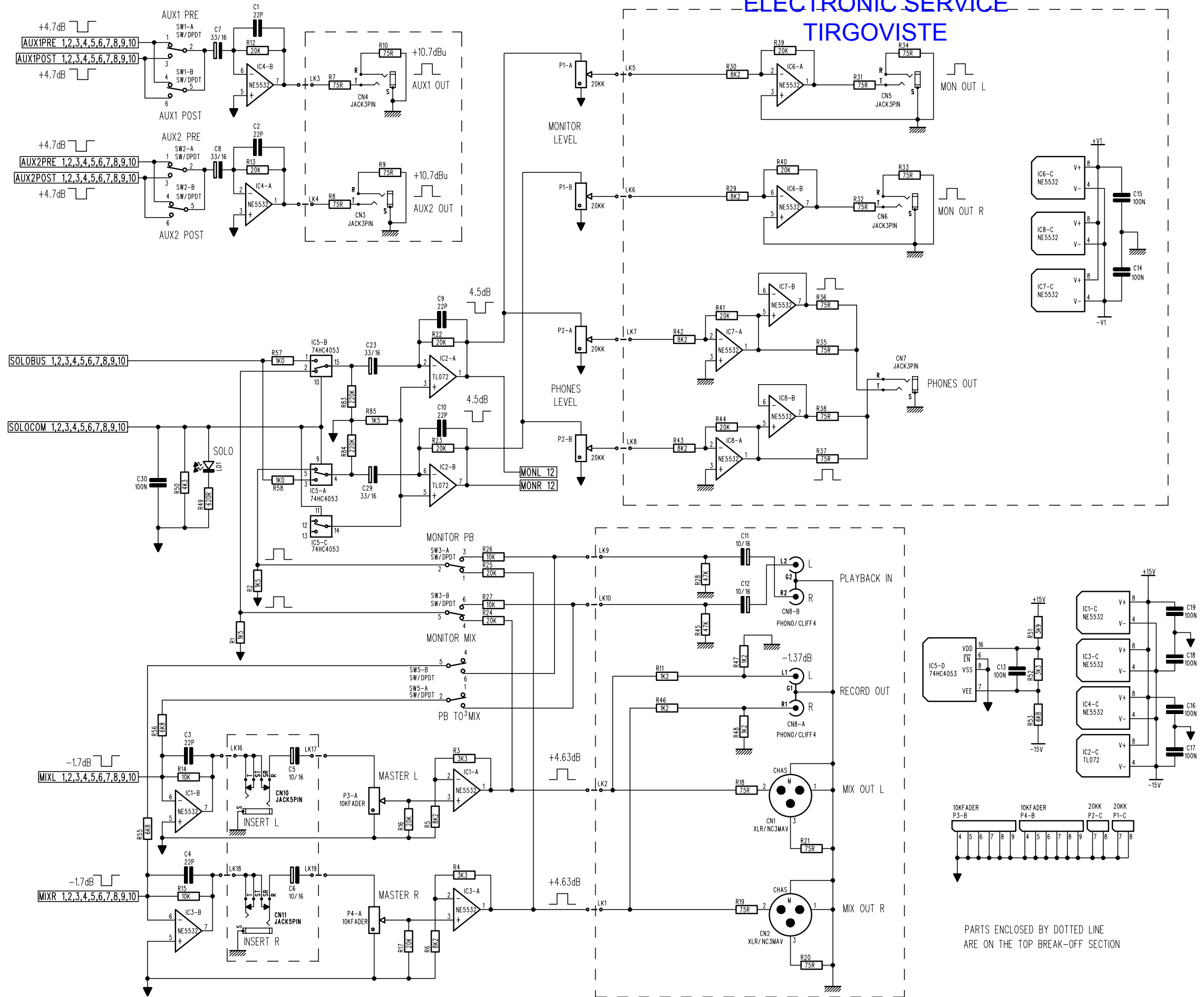
CHECKED:

MATERIAL:

FINISH:

ISSUE COMMENTS:

SOUNDCRAFT OWN THE COPYRIGHT OF THIS DRAWING WHICH IS NOT TO BE COPIED, REPRODUCED OR DISCLOSED IN PART OR WHOLE TO A THIRD PARTY WITHOUT PRIOR WRITTEN PERMISSION ©SOUNDCRAFT, A DIVISION OF HARMAN INTERNATIONAL INDUSTRIES LIMITED



PARTS ENCLOSED BY DOTTED LINE ARE ON THE TOP BREAK-OFF SECTION

DRAWING NUMBER ISSUE
S-S2001AS-02A

Soundcraft
 A DIVISION OF HARMAN INTERNATIONAL INDUSTRIES LIMITED
 CRANBORNE HOUSE
 CRANBORNE ROAD
 POTTERS BAR
 HERTFORDSHIRE
 EN6 3JN
 TEL: +44 (0)1707 665000
 FAX: +44 (0)1707 660482

TITLE: **E8 MIXER**

SHEET 12 OF 12

FILENAME: S-S2001AS-02A.SCH

DRAWN: AC

DATE: 20/01/01

CHECKED:

MATERIAL:

FINISH:

ISSUE COMMENTS:

SOUNDCRAFT OWN THE COPYRIGHT OF THIS DRAWING
 WHICH IS NOT TO BE COPIED, REPRODUCED OR DISCLOSED
 IN PART OR WHOLE TO A THIRD PARTY WITHOUT PRIOR WRITTEN PERMISSION
 ©SOUNDCRAFT, A DIVISION OF HARMAN INTERNATIONAL INDUSTRIES LIMITED

**ELECTRONIC SERVICE
 TIRGOVISTE**

