

MONO CHANNELS 1 AND 2 (A AND B)

SOUNDCRAFT OWNS THE COPYRIGHT OF THIS DRAWING WHICH IS NOT TO BE COPIED, REPRODUCED OR DISCLOSED, IN PART OR IN WHOLE TO A THIRD PARTY WITHOUT WRITTEN PERMISSION.

- NOTES
- (1) MONO INPUT CHANNELS 3 TO 6 ARE REPEATED WITH COMPONENT REF C TO F.
  - (2) CA6 NOT FITTED - CB6 TO CF6 FITTED. (AS PER CIRCUIT)

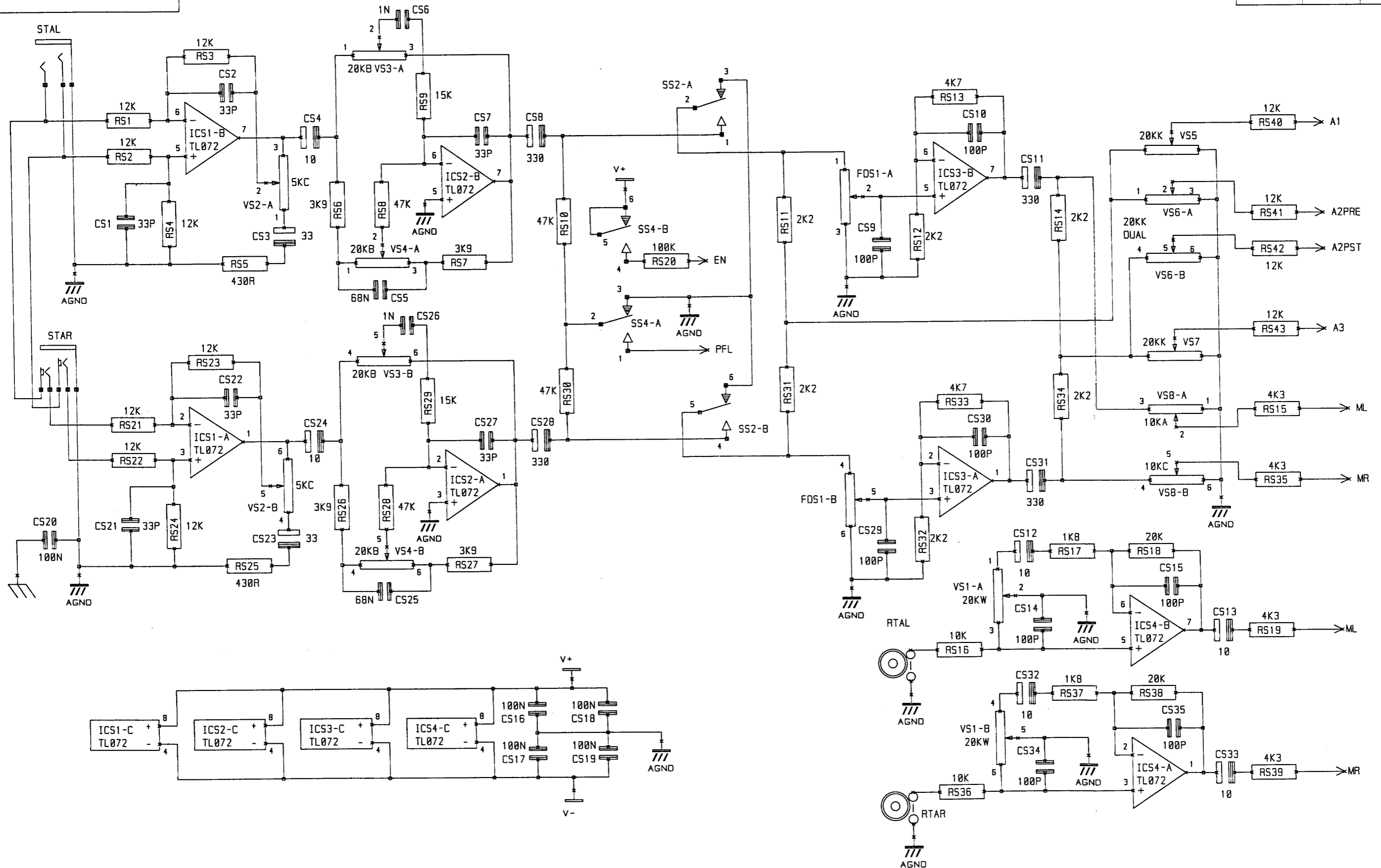
NOTES

SOUNDCRAFT  
HARMAN INT. INDUSTRIES LTD.  
CRANBORNE HOUSE,  
CRANBORNE ROAD,  
POTTERS BAR,  
HERTS., ENG 3JN.  
TEL: 01707 665000  
FAX: 01707 660402

DRN. GHB

TITLE FOLIO F1 6 I/P MONO INPUT

ORG NO. ED 3800A



SOUNDCRAFT OWNS THE COPYRIGHT OF THIS DRAWING WHICH IS NOT TO BE COPIED, REPRODUCED OR DISCLOSED, IN PART OR IN WHOLE TO A THIRD PARTY WITHOUT WRITTEN PERMISSION.

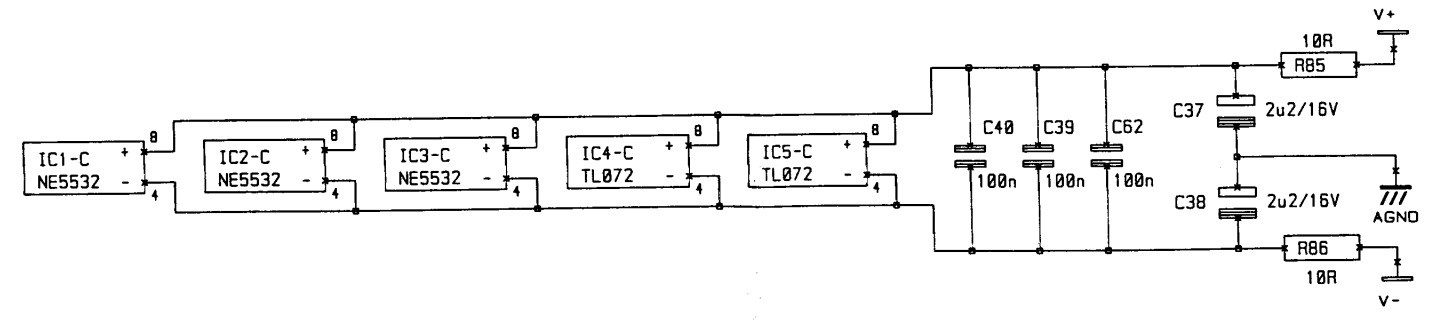
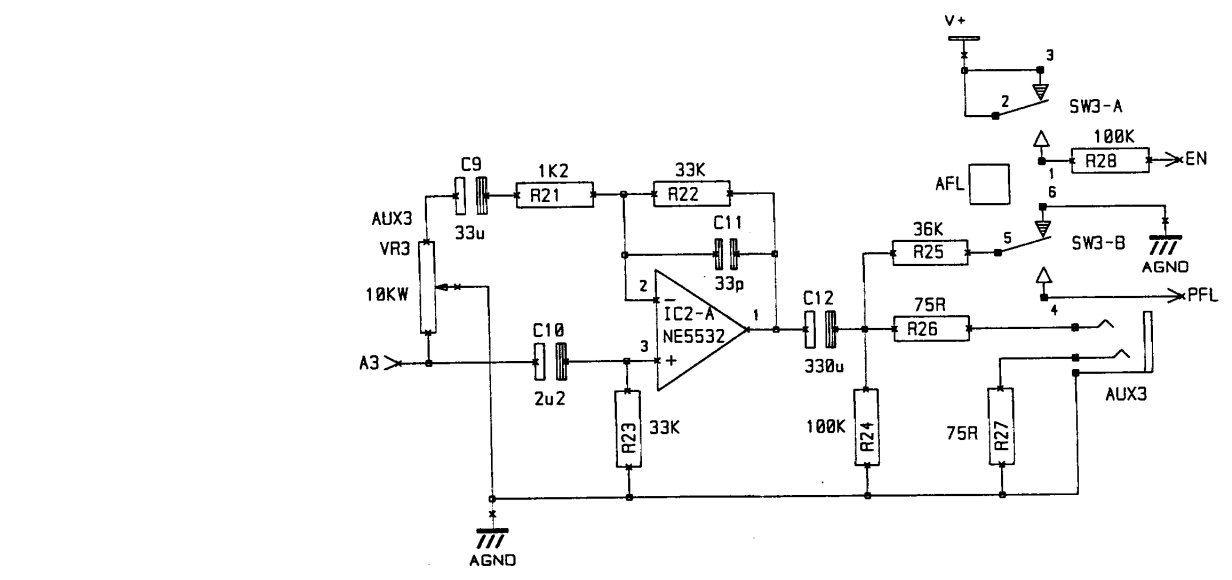
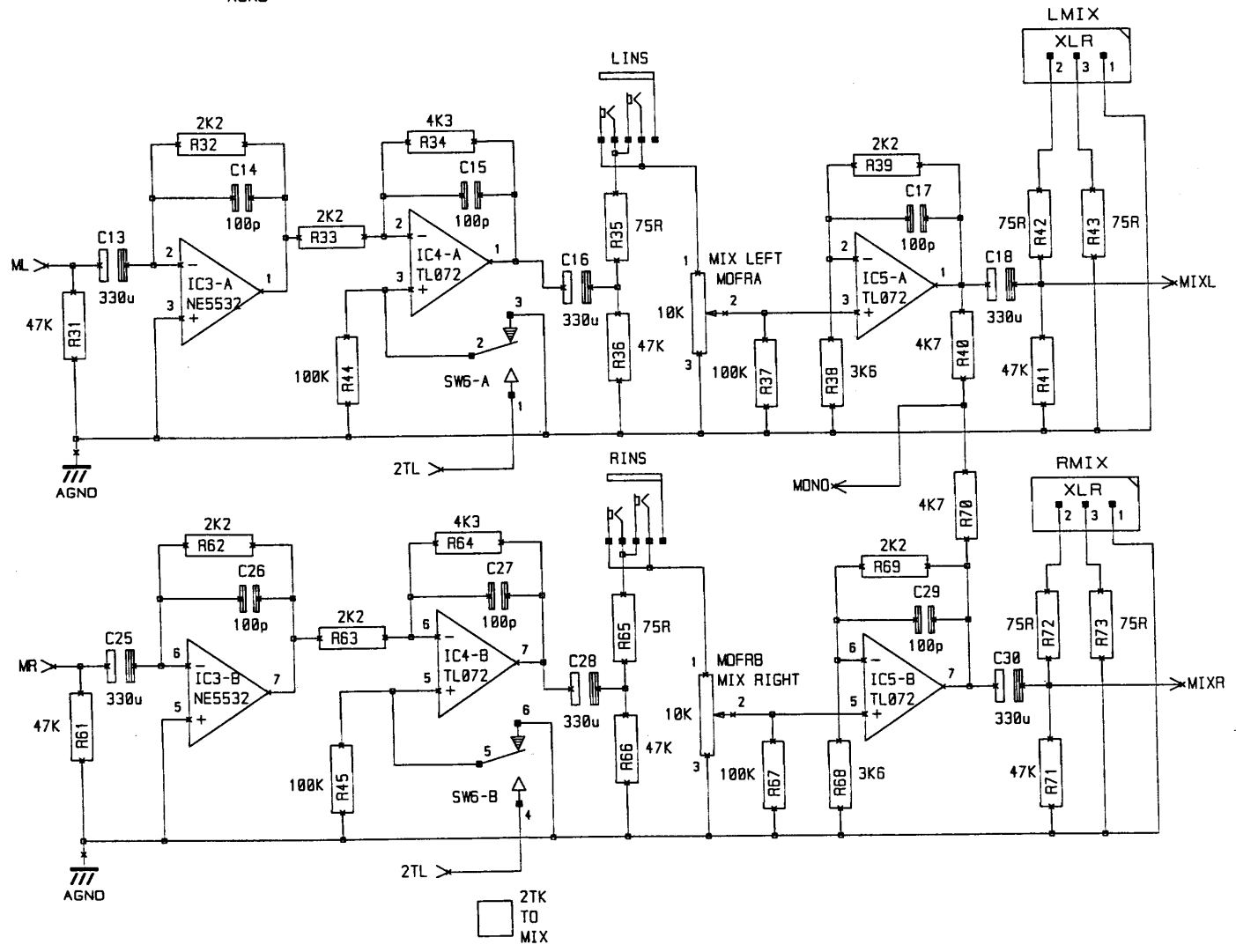
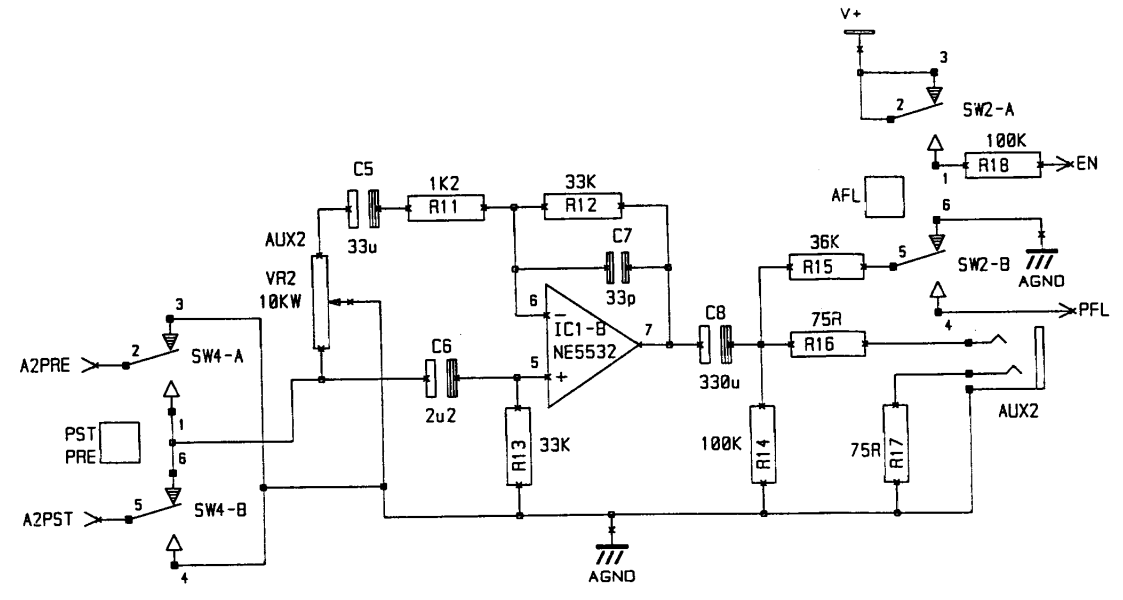
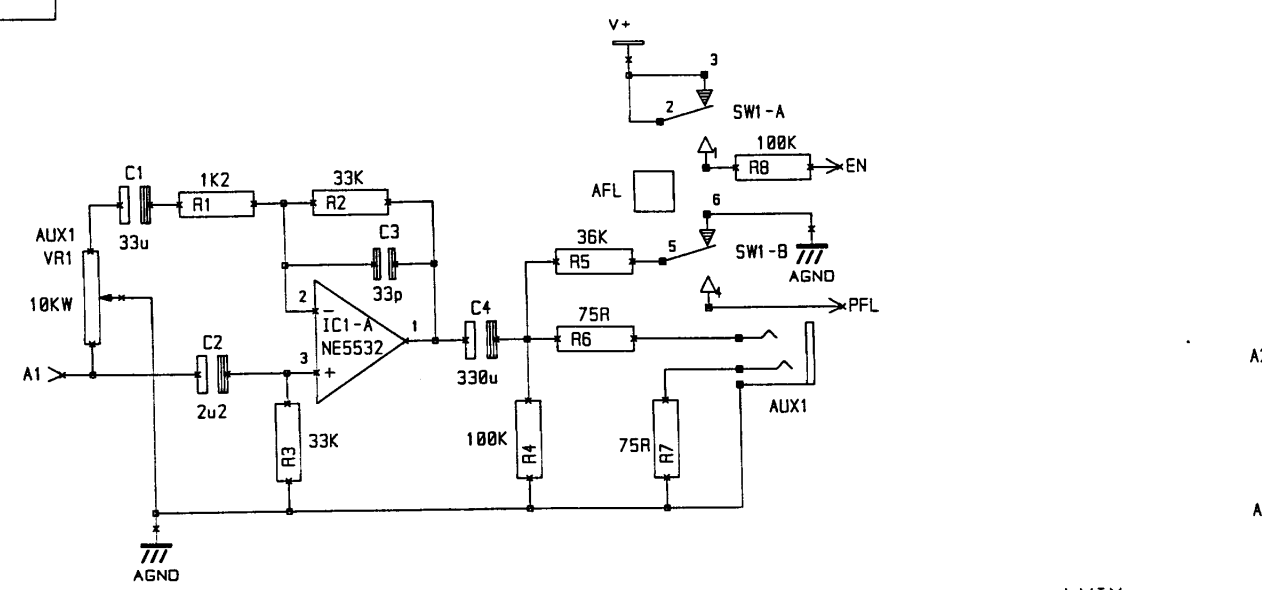
NOTES  
(1) STEREO INPUT CHANNEL B STEP AND REPEATED.

SOUNDCRAFT  
HARMAN INT. INDUSTRIES LTD.  
CRANBORNE HOUSE,  
CRANBORNE ROAD,  
POTTERS BAR,  
HERTS., EN6 3JN.  
TEL: 01707 665000  
FAX: 01707 660482

DRN. GHB

TITLE FOLIO F1 6 I/P STEREO INPUT

DRG NO. ED3800B



SOUNDCRAFT OWNS THE COPYRIGHT OF THIS DRAWING WHICH IS NOT TO BE COPIED, REPRODUCED OR DISCLOSED, IN PART OR IN WHOLE TO A THIRD PARTY WITHOUT WRITTEN PERMISSION.

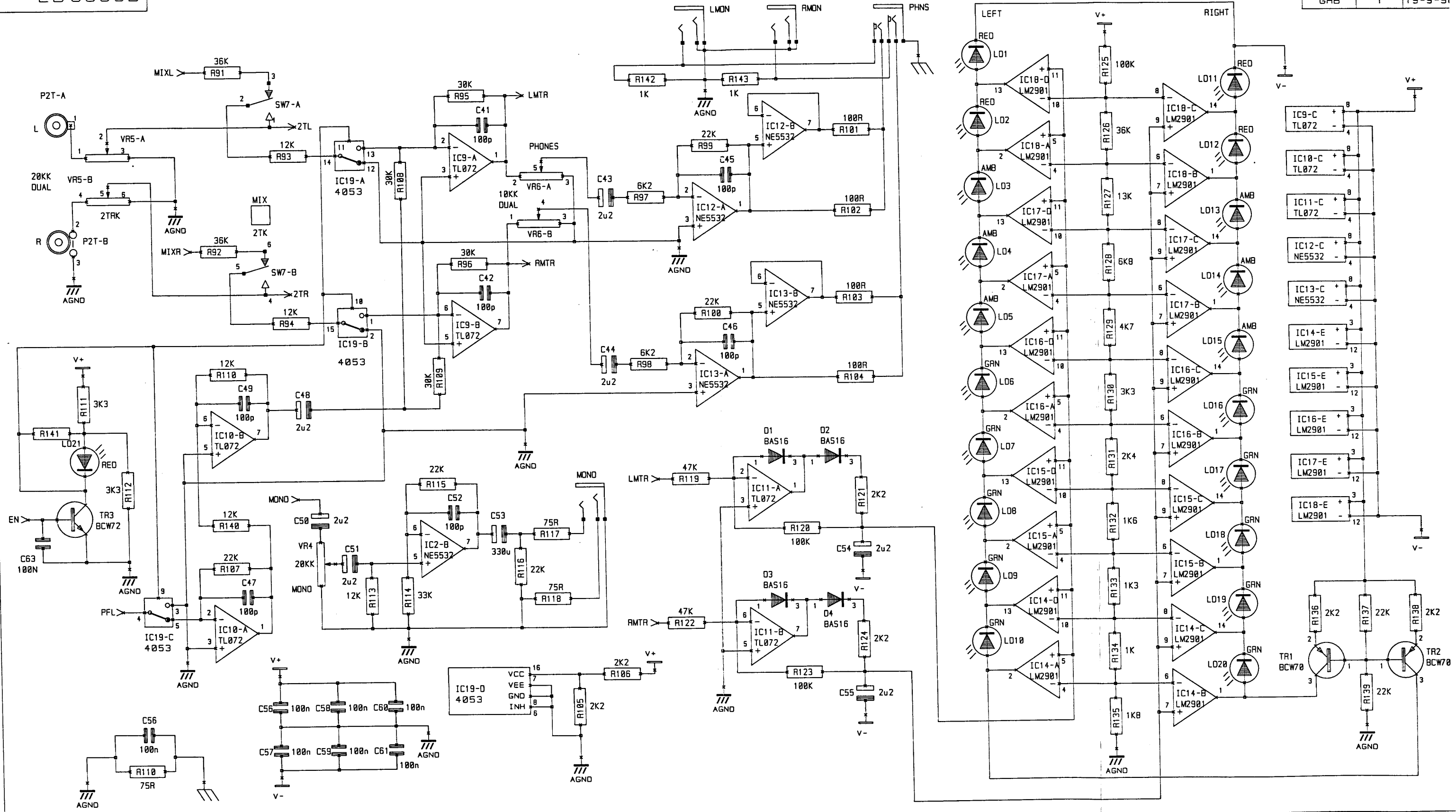
NOTES

SOUNDCRAFT  
HARMAN INT. INDUSTRIES LTD.  
CRANBORNE HOUSE,  
CRANBORNE ROAD,  
POTTERS BAR,  
HERTS., EN6 3JN  
TEL: 01707 665000  
FAX: 01707 660482

DRN. GHB

TITLE  
FOLIO F1 6 I/P  
MASTER SECTION A

DRG NO. ED3800C



SOUNDCRAFT OWNS THE COPYRIGHT OF THIS DRAWING WHICH IS NOT TO BE COPIED, REPRODUCED OR DISCLOSED, IN PART OR IN WHOLE TO A THIRD PARTY WITHOUT WRITTEN PERMISSION.

NOTES

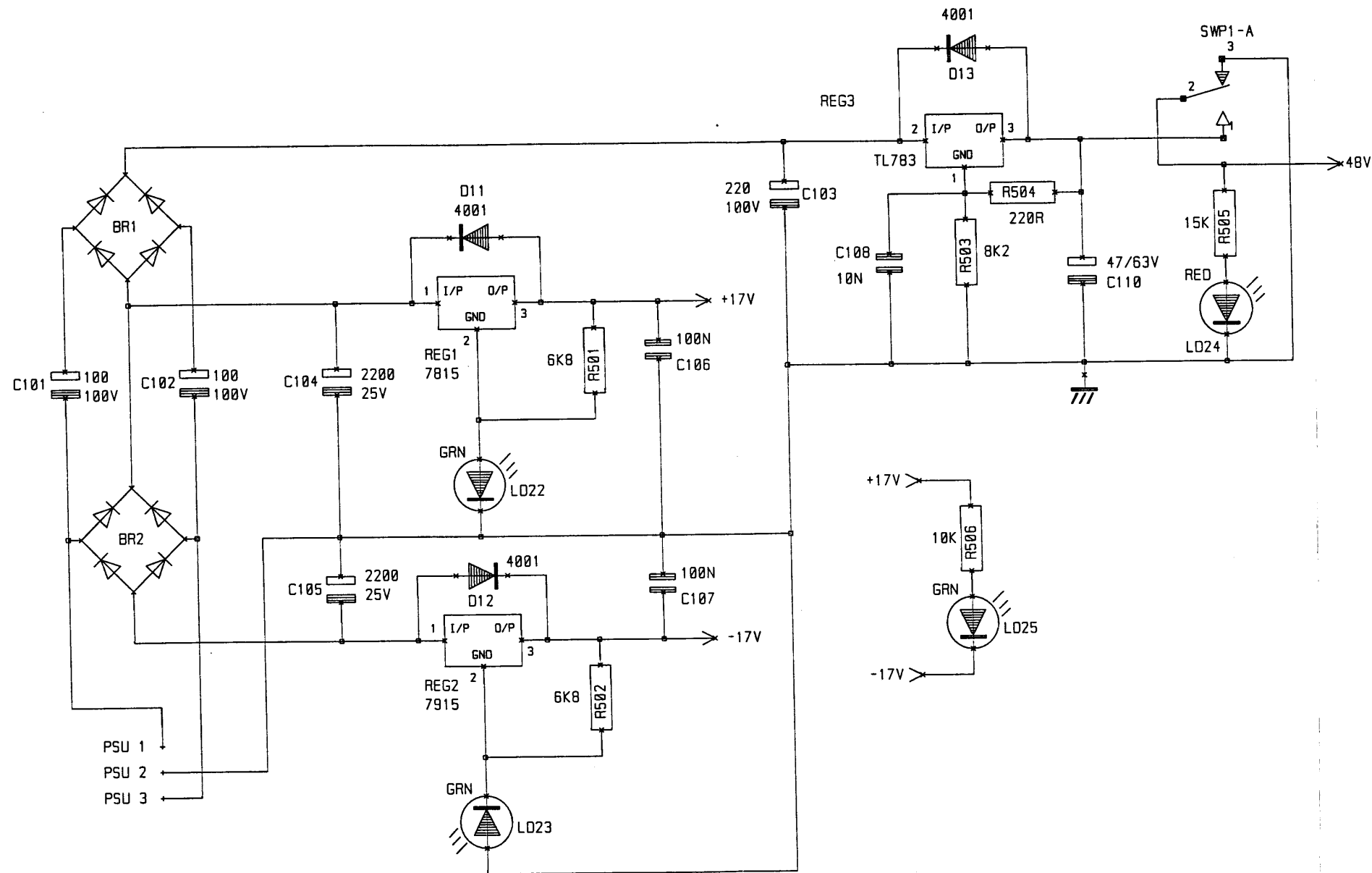
IC19-D 4053  
 VCC 16  
 VEE 7  
 GND 8  
 INH 5

SOUNDCRAFT  
 HARMAN INT. INDUSTRIES LTD.  
 CRANBORNE HOUSE,  
 CRANBORNE ROAD,  
 POTTERS BAR,  
 HERTS., EN6 3JN  
 TEL: 01707 665000  
 FAX: 01707 660482

DRN. GHB

TITLE FOLIO F1 6 I/P  
 MASTER SECTION E

ORG NO. ED 38000



SOUNDCRAFT OWNS THE COPYRIGHT OF THIS DRAWING WHICH IS NOT TO BE COPIED, REPRODUCED OR DISCLOSED, IN PART OR IN WHOLE TO A THIRD PARTY WITHOUT WRITTEN PERMISSION.

NOTES

SOUNDCRAFT  
HARMAN INT. INDUSTRIES LTD.  
CRANBORNE HOUSE,  
CRANBORNE ROAD,  
POTTERS BAR,  
HERTS., EN6 3JN.  
TEL: 01707 665000  
FAX: 01707 660482

DRN.

GHB

TITLE FOLIO F1 6 I/P  
PSU

ORG NO. ED3800E