

DRAWING NUMBER ISSUE  
**S-S2017BS-03A**

**HI**  
 HARMAN INTERNATIONAL  
 INDUSTRIES LIMITED  
 CRANBORNE HOUSE  
 CRANBORNE ROAD  
 POTTERS BAR  
 HERTS  
 EN9 3JN  
 Tel: 01707 660667  
 Fax: 01707 660755

TITLE: **GIGRAC 1000 SMPS**  
 SHEET 1 OF 1

FILENAME: **S-S2017BS-03A.SCH**  
 DRAWN: **CN**

DATE: **10/05/04**  
 CHECKED:

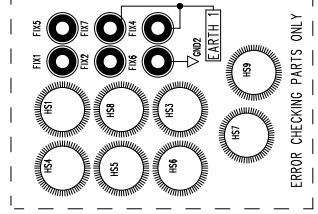
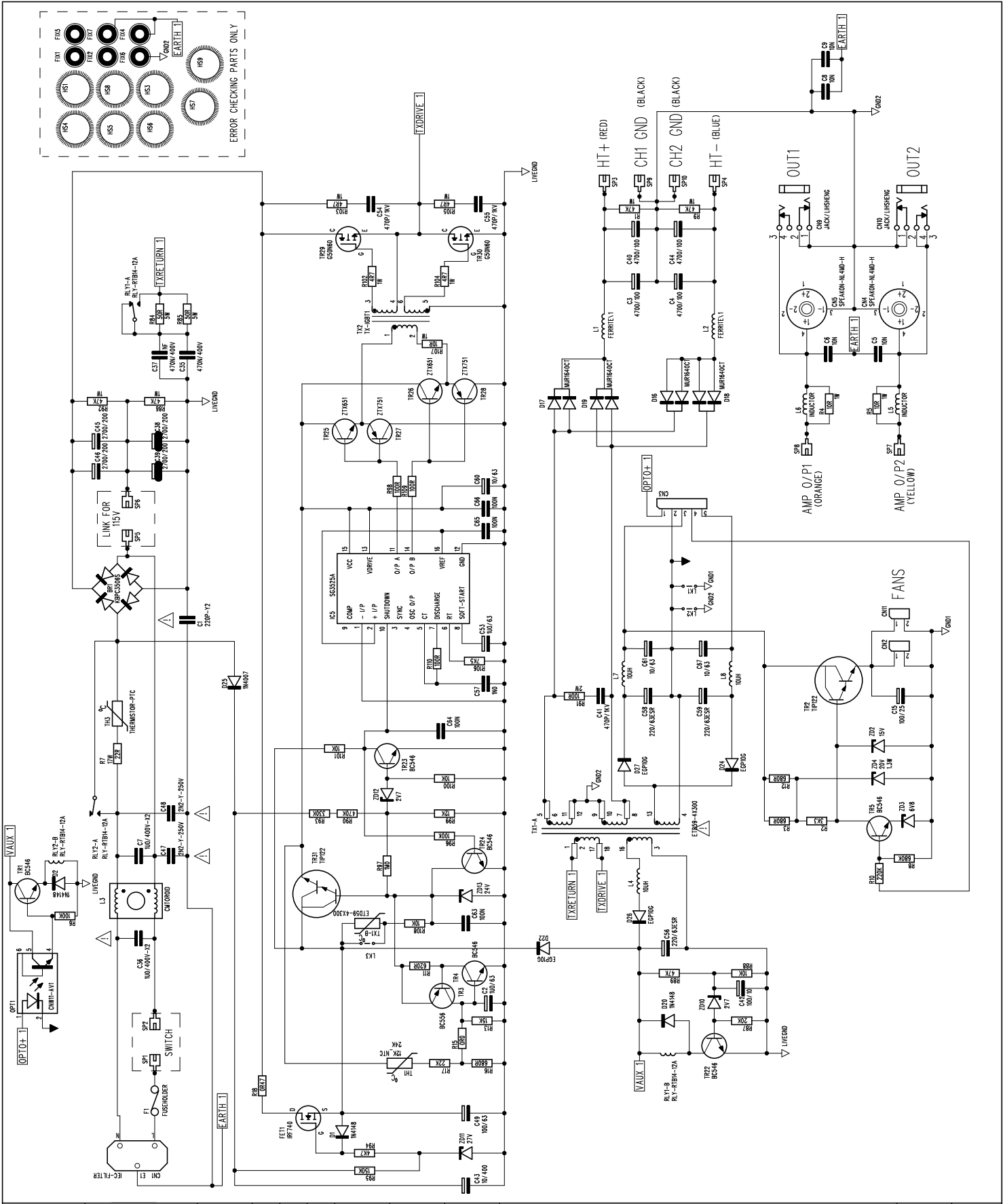
MATERIAL:

FINISH:

ISSUE COMMENTS:

1. PROTOTYPE RELEASE 12/03/04
2. EVALUATION RELEASE 19/05/04
3. PRODUCTION RELEASE TO CHINA ECHN259 26/08/04
- 3A. ECHN263 06/09/04

THIS DRAWING IS THE COPYRIGHT OF HARMAN INTERNATIONAL INDUSTRIES LTD.  
 ALL REPRODUCTION AND COPYING THAN THAT FOR LICENCED MANUFACTURERS  
 OWN INTERNAL USE, OR DISCLOSURE OF PART OR WHOLE TO A THIRD PARTY  
 WITHOUT PRIOR WRITTEN AUTHORISATION IS IN VIOLATION OF THE COPYRIGHT.



DRAWING NUMBER ISSUE  
**S-S2010BS-04**

HARMAN INTERNATIONAL  
 INDUSTRIES LIMITED  
 CRANBORNE HOUSE  
 CRANBORNE ROAD  
 POTTERS BAR  
 HERTS  
 EN9 3JN  
 Tel 01707 580667  
 Fax 01707 660755



TITLE: GIG-RAC DUAL POWER AMP  
 CIRCUIT DIAGRAM

SHEET 1 OF 1

FILENAME: S-S2010BS-04.SCH

DRAWN: BV

DATE: 12/12/02

CHECKED:

MATERIAL:

FINISH:

ISSUE COMMENTS:

1. PROTOTYPE RELEASE 12/12/02
2. PRE-PRODUCTION RELEASE 24/06/03
3. PRODUCTION RELEASE 20/08/03
- 3A. ECN H020 19/02/04
4. EGNH166 07/06/04

THIS DRAWING IS THE COPYRIGHT OF HARMAN INTERNATIONAL INDUSTRIES LTD.  
 ALL REPRODUCTION AND COPYING THAN THAT FOR LICENCED MANUFACTURERS  
 OWN INTERNAL USE, OR DISCLOSURE OF PART OR WHOLE TO A THIRD PARTY  
 WITHOUT PRIOR WRITTEN AUTHORISATION IS IN VIOLATION OF THE COPYRIGHT.

