

SPIRIT E SERIES

1

CIRCUIT DIAGRAMS & PCB LAYOUTS

Contents

E6 Mixer			
S2000AS-02a	E6 schematics	1.3 - 1.12	
	E6 pcb layout	1.13	
E8 Mixer			
S2001AS-02a	E8 schematics	1.14 - 1.25	
	E8 pcb layout	1.26	
E12 Mixer			
S2002AS-04a	E12 schematics	1.27 - 1.42	
	E12 pcb layout	1.43	
ES Mixer			
S2003AS-02a	ES schematics	1.44 - 1.59	
	ES pcb layout	1.60	

DRAWING NUMBER ISSUE
S-S2006AS-05A

HARMAN INTERNATIONAL
 INDUSTRIES LIMITED
 CRANBORNE HOUSE
 CRANBORNE ROAD
 POTTERS BAR
 MIDDLESEX
 ENGLAND
 Tel 01707 660667
 Fax 01707 660755

Soundcraft

TITLE: E SERIES POWER SUPPLY
 CIRCUIT DIAGRAM

FILENAME: S-S2006AS-05A.SCH

DRAWN: BJV

DATE: 30/10/01

CHECKED:

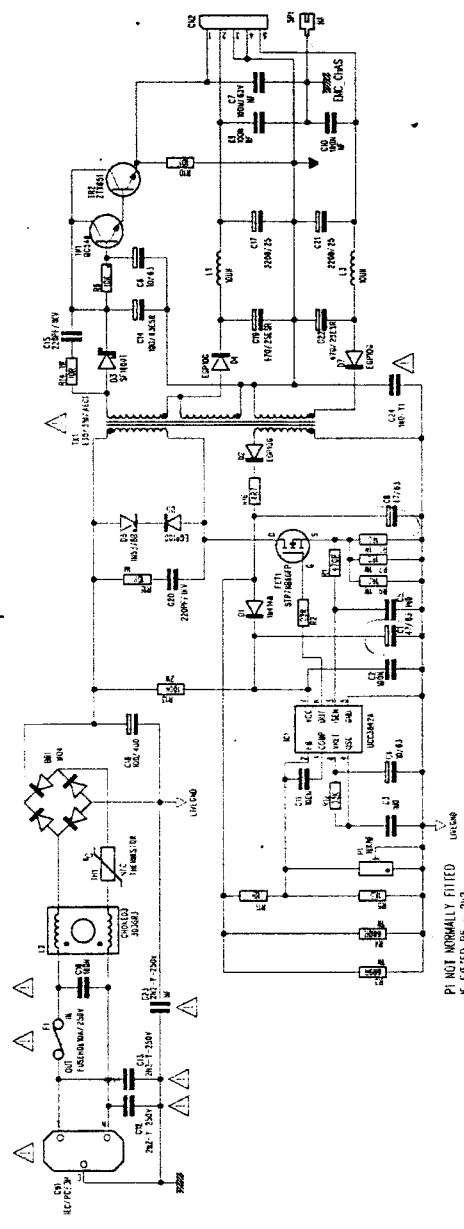
MATERIAL:

FINISH:

ISSUE COMMENTS:

1. PROTOTYPE RELEASE 31/10/01
2. PRE-PRODUCTION RELEASE 04/01/02
3. ECN0582 11/04/02
- 3A. ECN0603 27/08/02
4. ECN0610 13/09/02
- 4A. ECN0613 26/09/02
5. ECN0614 01/10/02
- 5A. ECN0664 20/02/03

THIS DRAWING IS THE PROPERTY OF HARMAN INTERNATIONAL INDUSTRIES LTD
 ALL REPRODUCTION AND COPYING THAT FOR LICENSEE MANUFACTURERS
 OWN MATERIAL USE, OR DISCLOSURE IN PART OR WHOLE TO A THIRD PARTY
 WITHOUT PRIOR WRITTEN AUTHORIZATION IS IN VIOLATION OF THE COPYRIGHT.



PRINT NORMALLY FITTED
 IF FITTED RD = 2x2

✓ 48V
 2 + 1 +
 2/14 SMD
 5 - 1 +

n/c

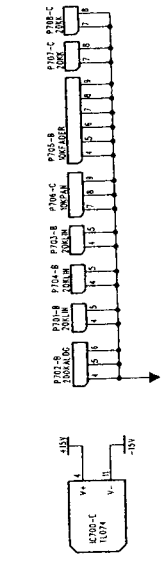
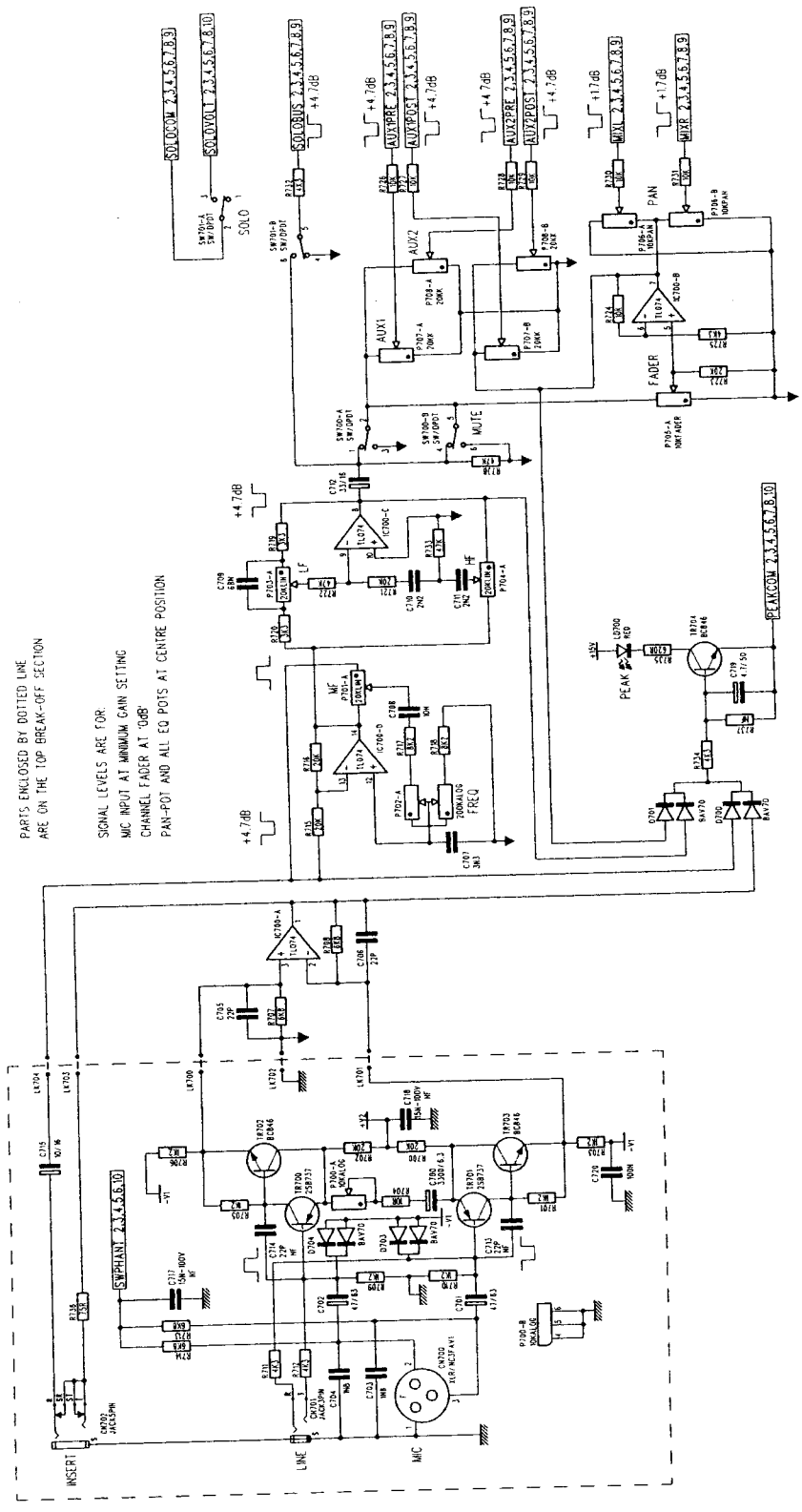
DRAWING NUMBER ISSUE
 S-S2000AS-02A

Soundcraft
 A DIVISION OF HARMAN INTERNATIONAL INDUSTRIES LIMITED
 EXPANSION HOUSE
 100 WHITEHOUSE
 EN. 3.N. *** 011302 605000
 FAX *** 011302 506000

TITLE: E6 MIXER
 SHEET NO.
 FILENAME: S-S2000AS-02A.SCH
 DRAWN: AC
 DATE: 20/01/02
 CHECKED:
 MATERIAL:
 FINISH:

ISSUE COMMENTS:
 1. PROTOTYPE RELEASE 29/01/01
 2. PRODUCTION RELEASE 08/07/02
 2A. ECN0619 22/10/02

PROPERTY OF THE COPYRIGHT OF THIS DRAWING
 IS RESERVED AND NOT TO BE COPIED, REPRODUCED OR DISCLOSED
 IN PART OR WHOLE TO A THIRD PARTY WITHOUT PRIOR WRITTEN PERMISSION
 ©SOUNDCRAFT, A DIVISION OF HARMAN INTERNATIONAL INDUSTRIES LIMITED



PARTS ENCLOSED BY DOTTED LINE
 ARE ON THE TOP BREAK-OFF SECTION

SIGNAL LEVELS ARE FOR:
 MIC INPUT AT MINIMUM GAIN SETTING
 CHANNEL FADER AT '000'
 PAN-POT AND ALL EQ POTS AT CENTRE POSITION

DRAWING NUMBER
S-S2000AS-02A

ISSUE
02A

Soundcraft
A DIVISION OF HARMAN INTERNATIONAL INDUSTRIES LIMITED
10000 WESTERN AVENUE
CHANNING ROAD
POITERS BAR
HEATHFORDSHE
ENG. 2, JN. 101707 653000
TEL. 444 101707 650482

TITLE: E6 MIXER

SHEET 2 OF 5
FILENAME: S-S2000AS-02A.SCH

DRAWN: AC

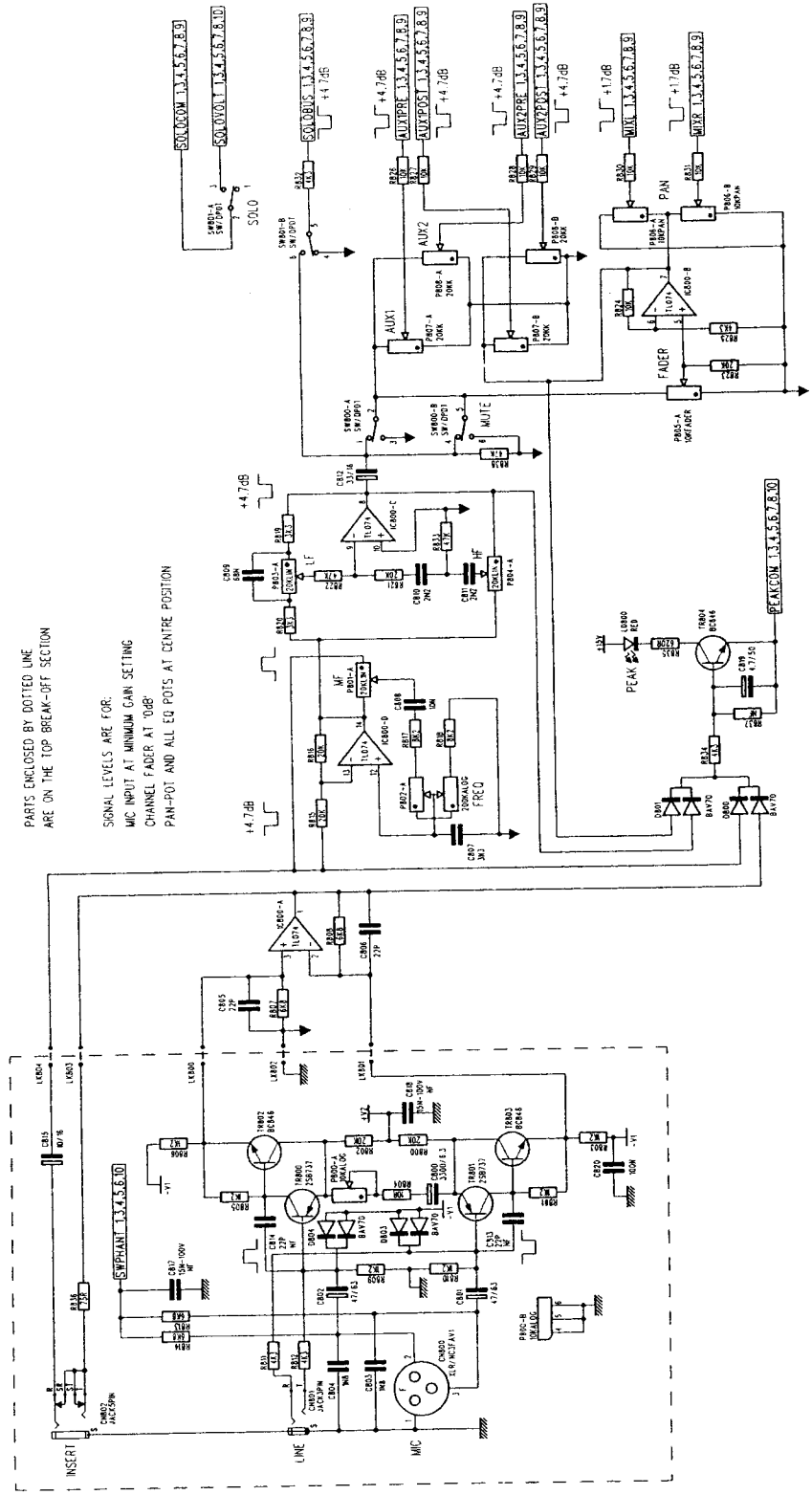
DATE: 20/01/02

CHECKED:

MATERIAL:

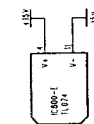
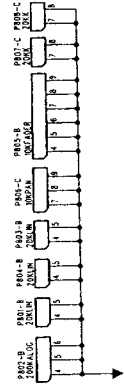
FINISH:

ISSUE COMMENTS:



PARTS ENCLOSED BY DOTTED LINE ARE ON THE TOP BREAK-OFF SECTION

SIGNAL LEVELS ARE FOR:
MIC INPUT AT MINIMUM GAIN SETTING
CHANNEL FADER AT '0dB'
PAN-POT AND ALL EQ POTS AT CENTRE POSITION



SONDRAFT OWNS THE COPYRIGHT OF THIS DRAWING WHICH IS NOT TO BE COPIED, REPRODUCED OR DISCLOSED IN PART OR WHOLE TO A THIRD PARTY WITHOUT THE WRITTEN PERMISSION OF SONDRAFT, A DIVISION OF HARMAN INTERNATIONAL INDUSTRIES LIMITED

DRAWING NUMBER

ISSUE
S-S2000AS-02A



A DIVISION OF HARMAN INTERNATIONAL INDUSTRIES, LIMITED
EXPANSION HOUSE
135 BEECHERS BAR
HEPTFORDSHIRE
ENG. 3/14
TEL: 444 00707 651000
FAX: 444 00707 651042

TITLE:
E6 MIXER

SHEET 1 OF 6
FILENAME: S-S2000AS-02A.SCH

DRAWN:
AC

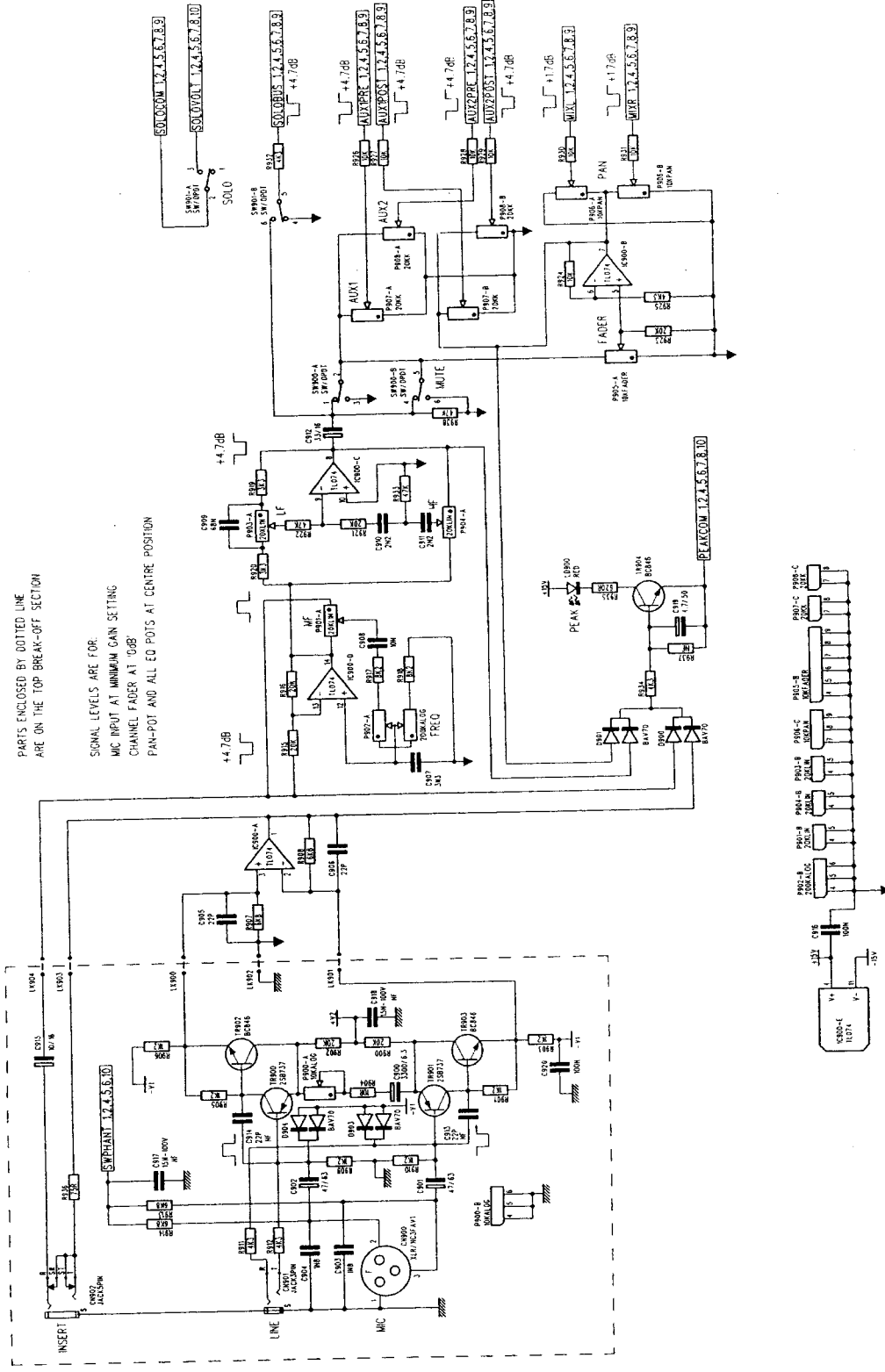
DATE:
20/01/02

CHECKED:

MATERIAL:

FINISH:

ISSUE COMMENTS:



PARTS ENCLOSED BY DOTTED LINE
ARE ON THE TOP BREAK-OFF SECTION

SIGNAL LEVELS ARE FOR:
MIC INPUT AT MINIMUM GAIN SETTING
CHANNEL FADER AT 0dB
PAN-POT AND ALL EQ POTS AT CENTRE POSITION

DISCLAIMER: THIS DRAWING IS THE PROPERTY OF HARMAN INTERNATIONAL INDUSTRIES, LIMITED. IT IS NOT TO BE COPIED, REPRODUCED OR DISCLOSED IN PART OR WHOLE TO A THIRD PARTY WITHOUT PRIOR WRITTEN PERMISSION FROM HARMAN INTERNATIONAL INDUSTRIES, LIMITED.

DRAWING NUMBER ISSUE
S-S2000AS-02A

Soundcraft
A DIVISION OF MURKIN INTERNATIONAL INDUSTRIES LIMITED
2, LANGRISH ROAD,
CHANNING ROAD,
POITERS BAR,
HERTFORDSHIRE
ENGLAND
TEL: 44 (0)107 665000
FAX: 44 (0)107 660482

TITLE: E6 MIXER

FILENAME: S-S2000AS-02A.SCH

DRAWN: AC

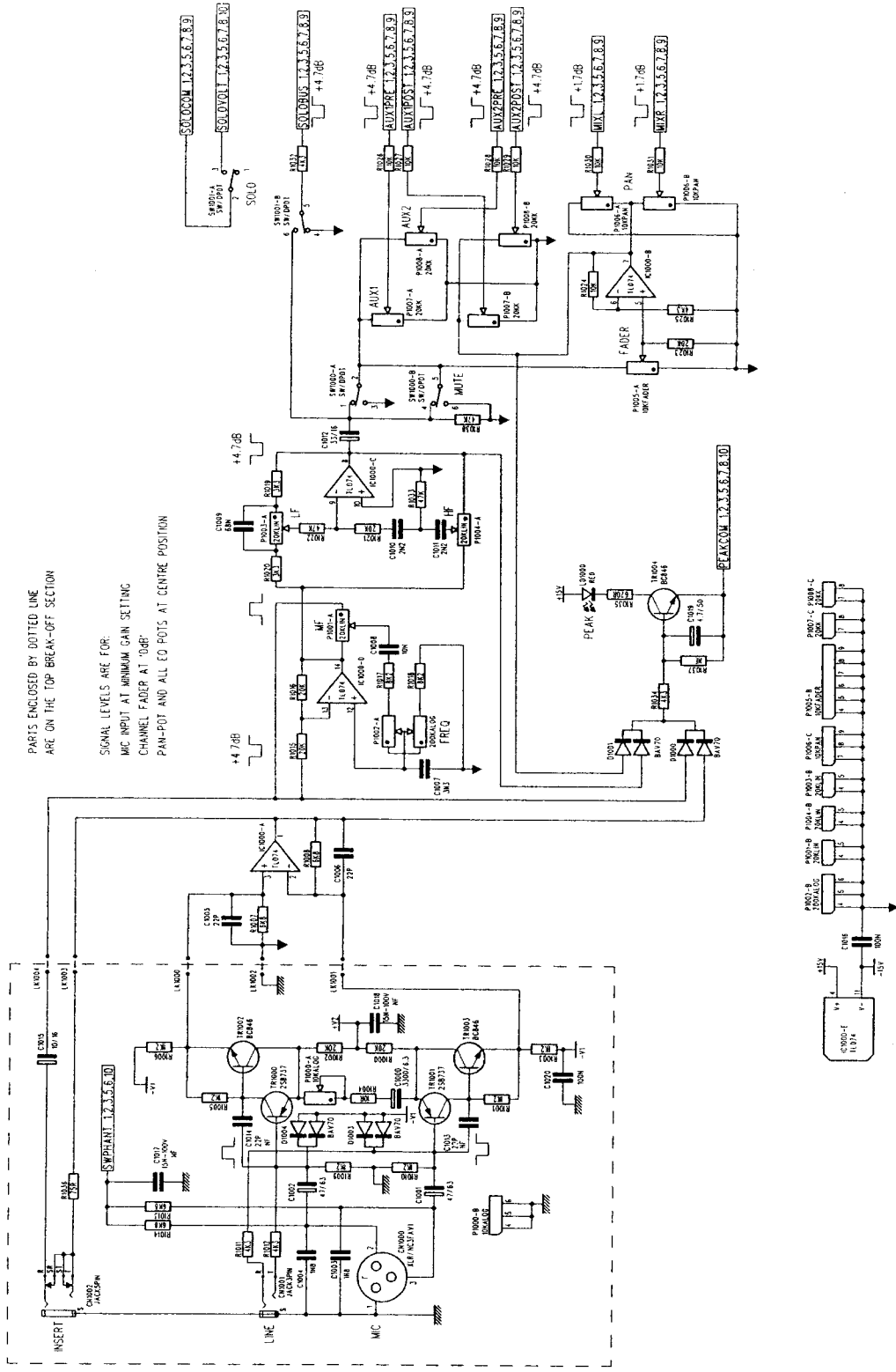
DATE: 20/01/02

CHECKED:

MATERIAL:

FINISH:

ISSUE COMMENTS:



PARTS ENCLOSED BY DOTTED LINE
ARE ON THE TOP BREAK-OFF SECTION

SIGNAL LEVELS ARE FOR:
MIC INPUT AT MINIMUM GAIN SETTING
CHANNEL FADER AT '0dB'
PAN-POT AND ALL EQ POTS AT CENTRE POSITION

SCHEMATIC SHOWS THE COPYRIGHT OF THIS MARKING
WHICH IS NOT TO BE COPIED, REPRODUCED OR DISCLOSED
WITHOUT THE WRITTEN PERMISSION OF MURKIN INTERNATIONAL INDUSTRIES LIMITED

DRAWING NUMBER ISSUE
S-S2000AS-02A

Soundcraft
A DIVISION OF HARMAN INTERNATIONAL INDUSTRIES LIMITED
FRANKLIN HOUSE
CRANBROOK ROAD
BOTTLESDRIFE B&B
WINDYBUSH
ENG. 33N
TEL: +44 (0)1707 665000
FAX: +44 (0)1707 660482

TITLE: E6 MIXER

SWC: 33P 10

FILENAME: S-S2000AS-02A.SCH

DRAWN: AC

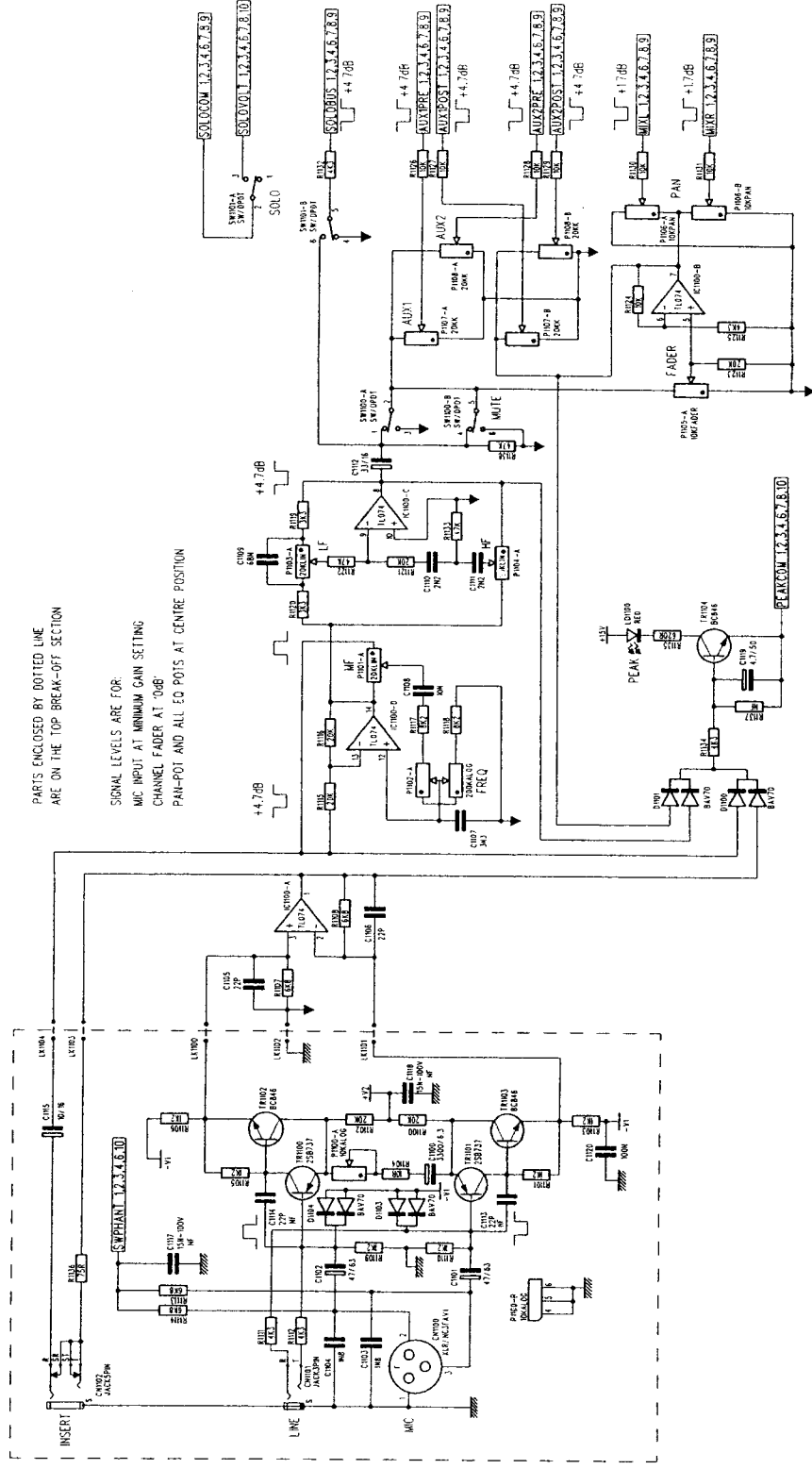
DATE: 20/01/02

CHECKED:

MATERIAL:

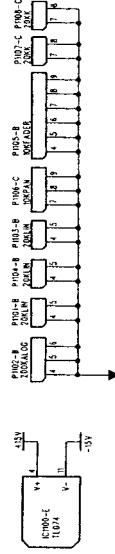
FINISH:

ISSUE COMMENTS:



PARTS ENCLOSED BY DOTTED LINE
ARE ON THE TOP BREAK-OFF SECTION

SIGNAL LEVELS ARE FOR:
MIC INPUT AT MINIMUM GAIN SETTING
CHANNEL FADER AT '0dB'
PAN-POT AND ALL EQ POT'S AT CENTRE POSITION



DISCLAIMER: THE COPYRIGHT OF THIS DRAWING
REMAINS WITH SOUND-CRAFT. IT IS NOT TO BE
REPRODUCED OR TRANSMITTED IN ANY FORM OR
BY ANY MEANS, ELECTRONIC OR MECHANICAL,
INCLUDING PHOTOCOPYING, RECORDING, OR BY
ANY INFORMATION STORAGE AND RETRIEVAL
SYSTEM, WITHOUT THE WRITTEN PERMISSION
OF SOUND-CRAFT, A DIVISION OF HARMAN INTERNATIONAL INDUSTRIES LIMITED

DRAWING NUMBER ISSUE
S-S2000AS-02A



TITLE: **E6 MIXER**

FILENAME: **S-S2000AS-02A.SCH**

DRAWN: **AC**

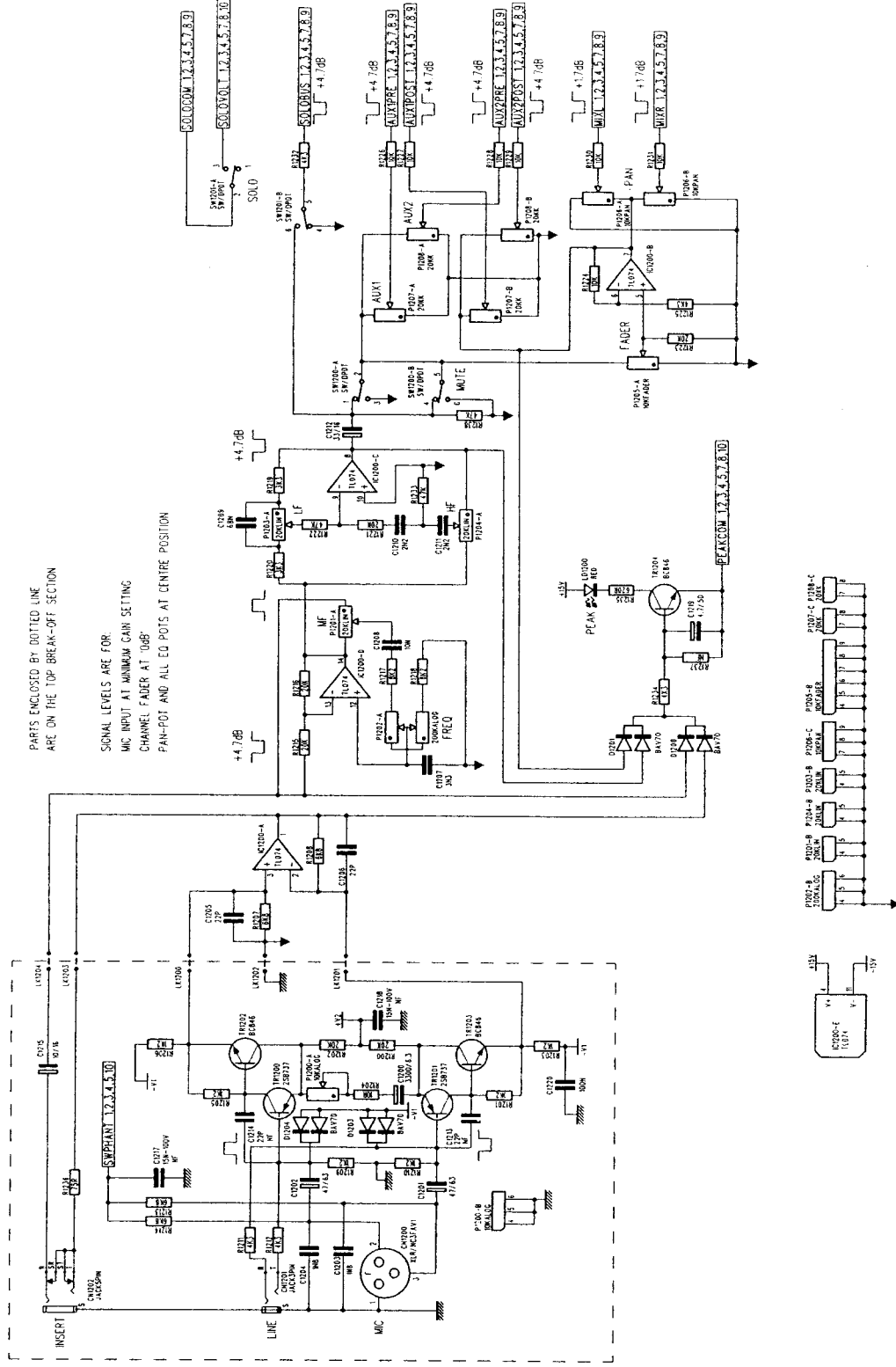
DATE: **20/01/02**

CHECKED:

MATERIAL:

FINISH:

ISSUE COMMENTS:



PARTS ENCLOSED BY DOTTED LINE ARE ON THE TOP BREAK-OFF SECTION

SIGNAL LEVELS ARE FOR:
 MIC INPUT AT MINIMUM GAIN SETTING
 CHANNEL FADER AT '00B'
 PAN-POT AND ALL EQ POT'S AT CENTRE POSITION

SOUNDRAFT ORN INC. COPYRIGHT © 1992. THIS DRAWING WHICH IS NOT TO BE COPIED, REPRODUCED OR DISCLOSED IN PART OR WHOLE TO A THIRD PARTY WITHOUT WRITTEN PERMISSION ©SOUNDRAFT, A DIVISION OF HARMAN INTERNATIONAL INDUSTRIES LIMITED

DRAWING NUMBER ISSUE
 S-S2000AS-02A

Soundcraft
 A DIVISION OF HARMAN INTERNATIONAL INDUSTRIES LIMITED
 CHAMBERN HOUSE
 CHAMBERN ROAD
 POITERS BAR
 HERTFORDSHIRE
 UK
 TEL: +44 (0)1707 665000
 FAX: +44 (0)1707 660482

TITLE: E6 MIXER

SKETCH TOP VIEW

FILENAME: S-S2000AS-02A.SCH

DRAWN: AC

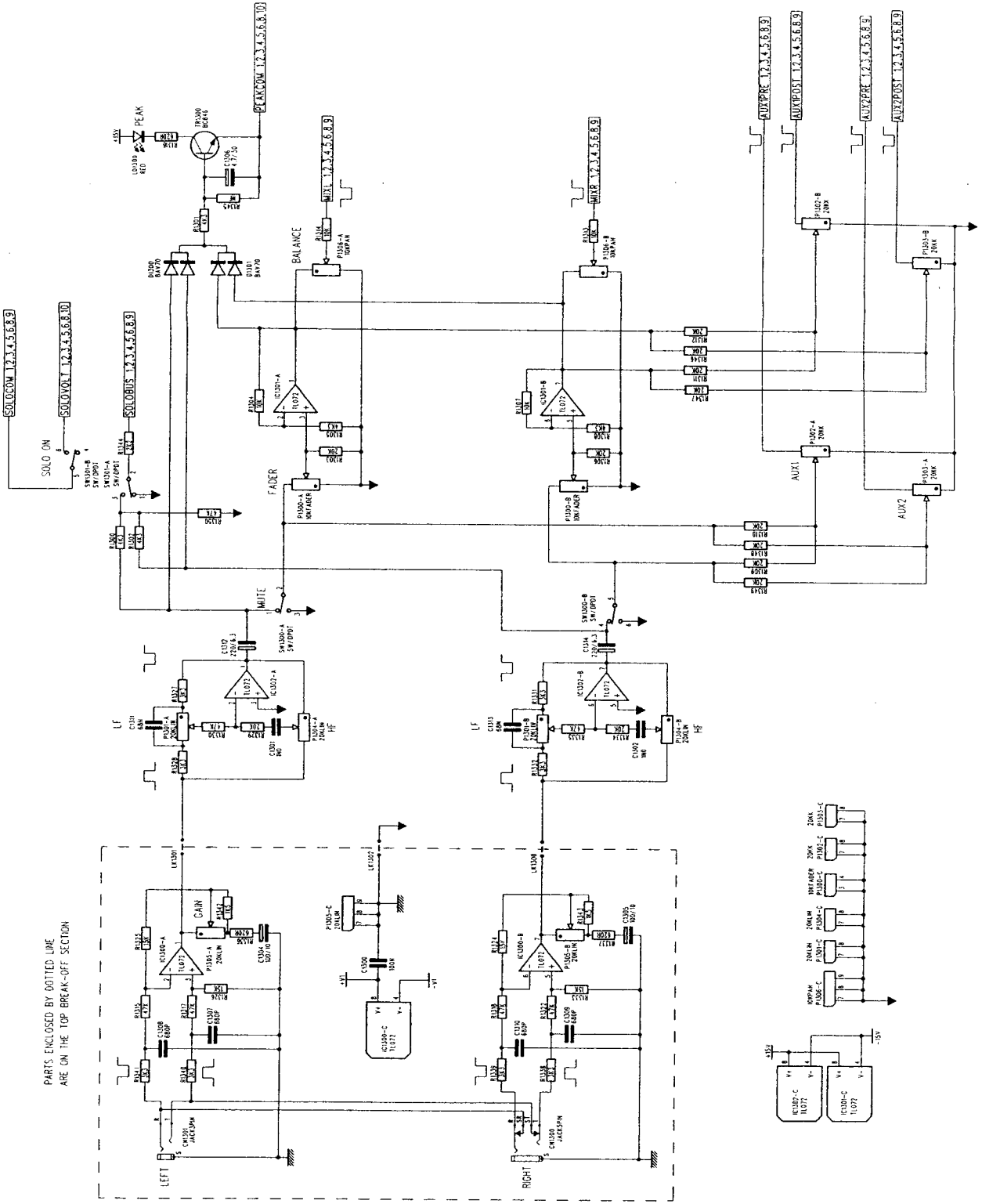
DATE: 20/01/02

CHECKED:

MATERIAL:

FINISH:

ISSUE COMMENTS:



PARTS ENCLOSED BY DOTTED LINE
 ARE ON THE TOP BREAK-OFF SECTION

Soundcraft own the copyright of this drawing which is not to be copied, reproduced or disclosed without the prior written permission of Soundcraft, a division of Harman International Industries Limited.

DRAWING NUMBER ISSUE
 S-S2000AS-02A



A DIVISION OF HARMAN INTERNATIONAL INDUSTRIES LIMITED
 10000 WEST 16TH AVENUE
 DENVER, COLORADO 80202
 PHONE: 303.751.1000
 FAX: 303.751.1001

TITLE: E6 MIXER

FILENAME: S-S2000AS-02A.SCH

DRAWN: AC

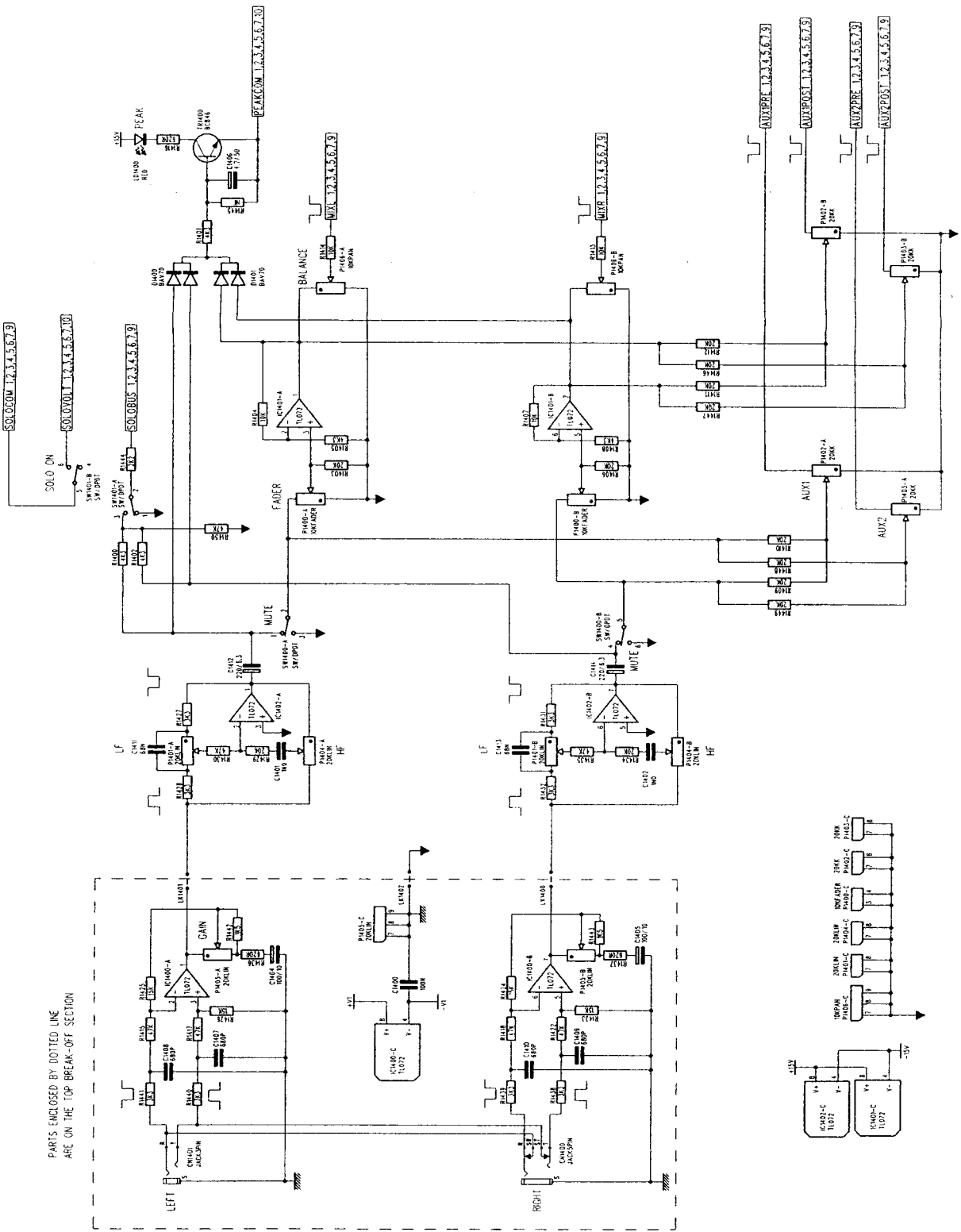
DATE: 20/01/02

CHECKED:

MATERIAL:

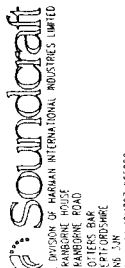
FINISH:

ISSUE COMMENTS:



COMMENTS: THE COPYRIGHT OF THIS DRAWING
 WHICH IS NOT TO BE COPIED, REPRODUCED OR DISCLOSED
 IN PART OR WHOLE TO A THIRD PARTY WITHOUT PRIOR WRITTEN PERMISSION
 ©SOUNDCRAFT, A DIVISION OF HARMAN INTERNATIONAL INDUSTRIES LIMITED

DRAWING NUMBER: S-S2000AS-02A
 ISSUE



TITLE: E6 MIXER

FILENAME: S-S2000AS-02A.SCH

DRAWN: AC

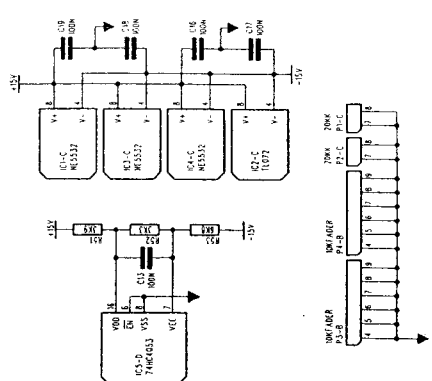
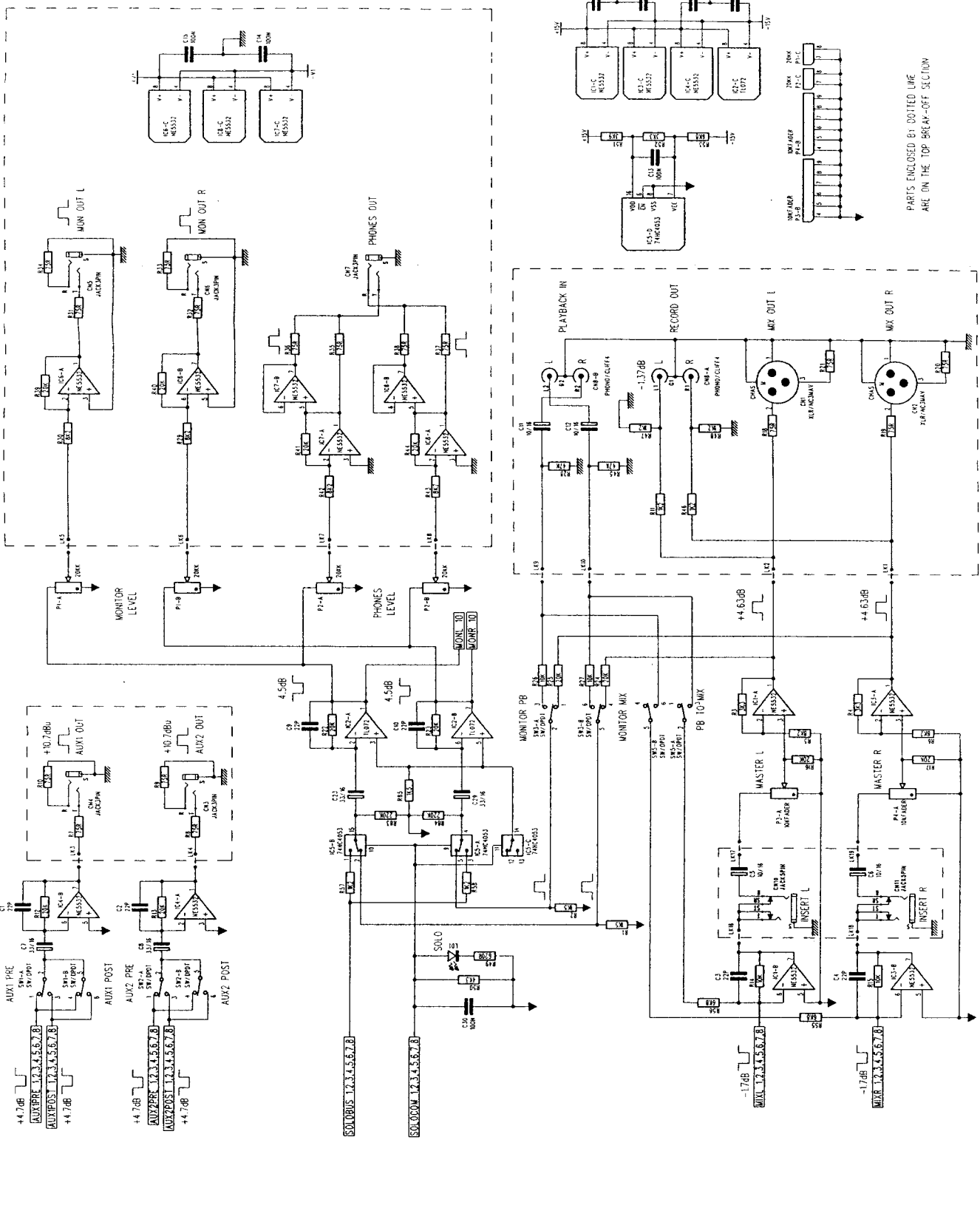
DATE: 20/01/02

CHECKED:

MATERIAL:

FINISH:

ISSUE COMMENTS:



PARTS ENCLOSED BY DOTTED LINE ARE ON THE TOP BREAK-OFF SECTION

DRAWING NUMBER ISSUE
S-S2000AS-02A



A DIVISION OF HARMAN INTERNATIONAL INDUSTRIES LIMITED
CANNON ROAD
BUNGAY, SUFFOLK
IP9 1AB, ENGLAND
TEL: +44 (0)1793 664000
FAX: +44 (0)1793 664002

TITLE: E6 MIXER

DATE: 20/01/02

FILENAME: S-S2000AS-02A.SCH

DRAWN: AC

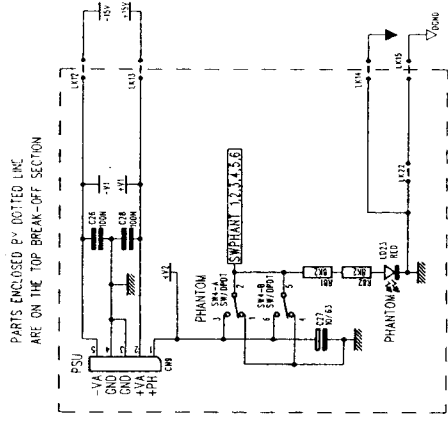
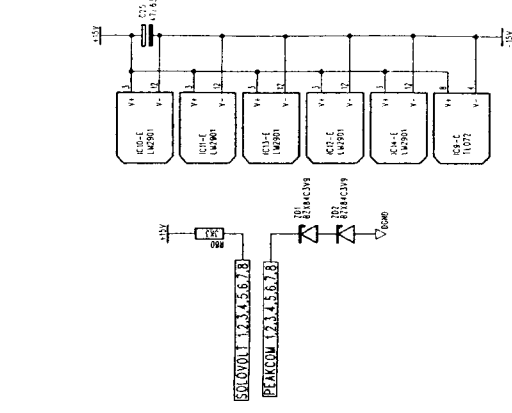
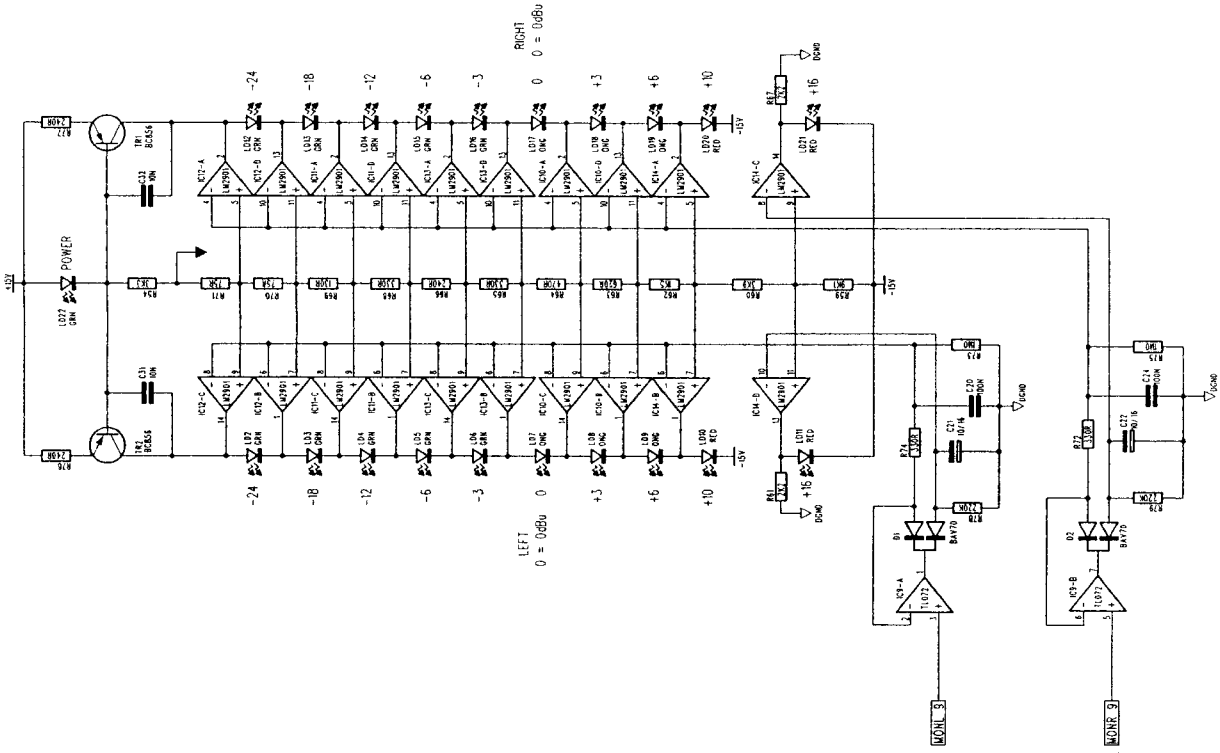
DATE: 20/01/02

CHECKED:

MATERIAL:

FINISH:

ISSUE COMMENTS:



FORGIVE: OWN THE COPYRIGHT OF THIS DRAWING WHICH IS NOT TO BE REPRODUCED OR DISCLOSED IN PART OR WHOLE TO A THIRD PARTY WITHOUT WRITTEN PERMISSION ©SOUNDCRAFT, A DIVISION OF HARMAN INTERNATIONAL INDUSTRIES LIMITED

