

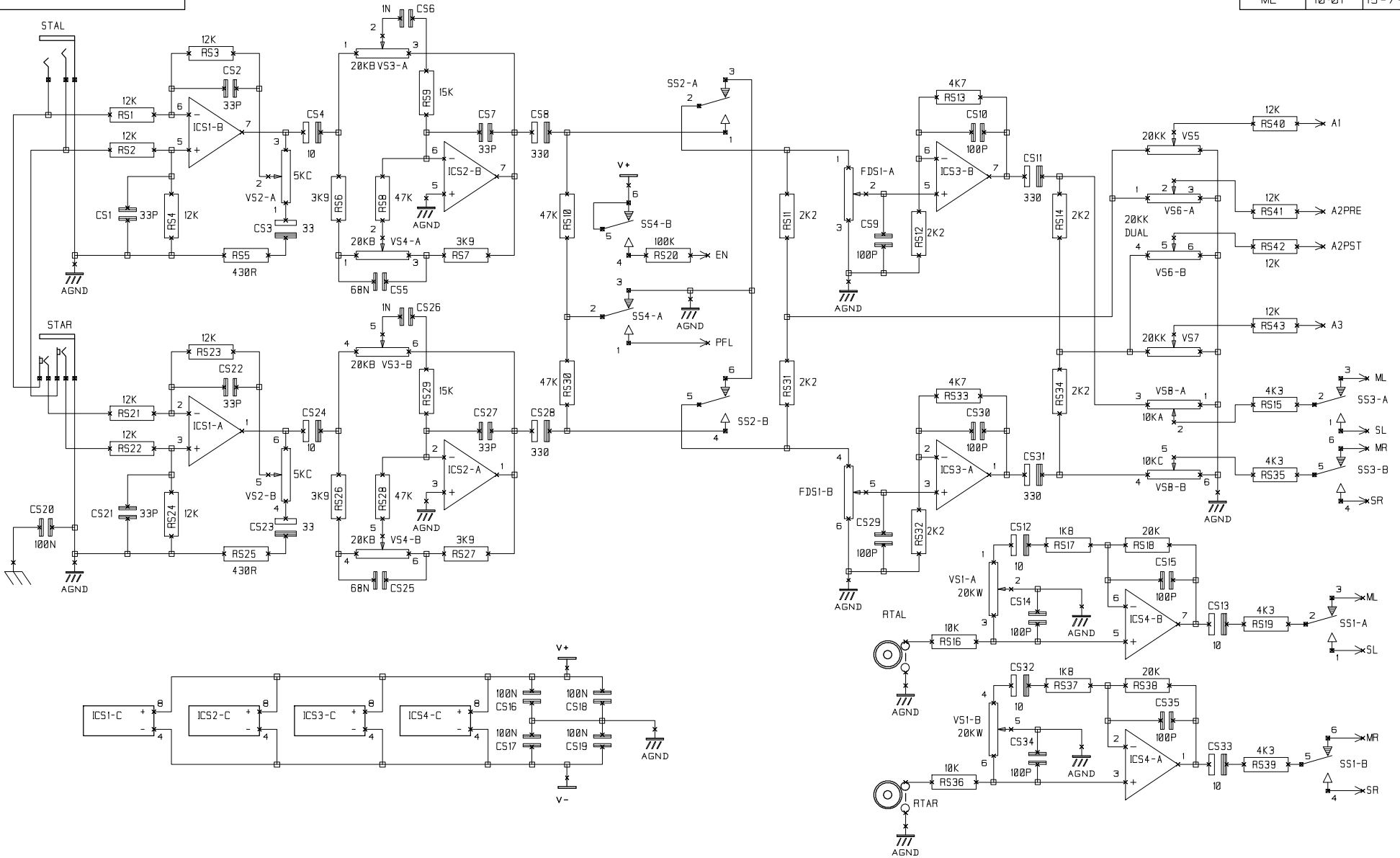
CHANNELS A AND B

NOTES
 (1) MONO INPUT CHANNELS C TO L STEP AND REPEATED.
 (2) CA6 NOT FITTED - ALSO CC6,CE6 AND CG6 ARE NOT FITTED ON STEP AND REPEATED CHANNELS.

NOTES

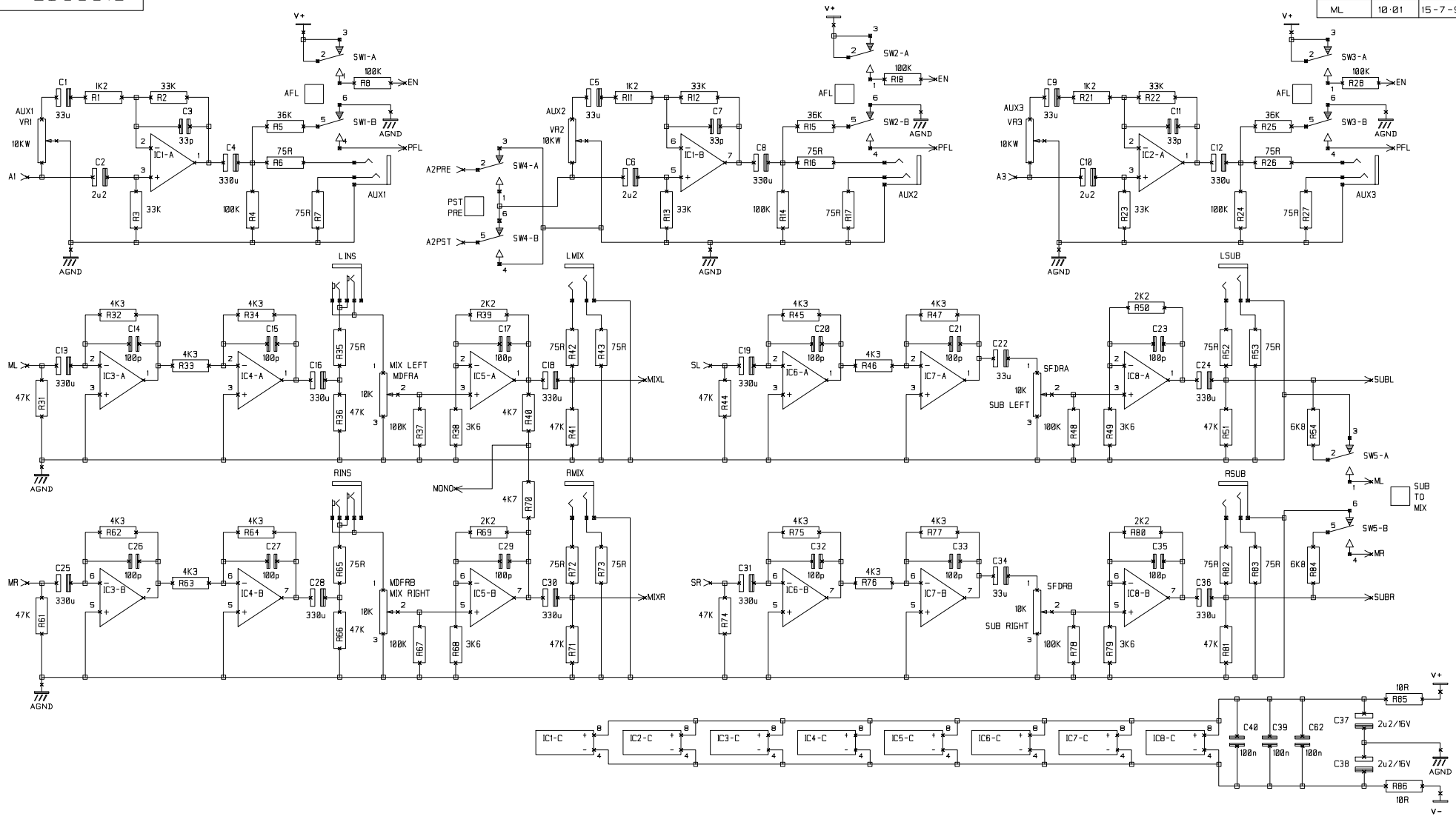
DRN.	GHB	TITLE	FOLIO SX MONO INPUT
		DRG NO.	ED 3681A
		SHT.	1 OF 5

INITIAL	ISSUE	DATE
ML	10-01	15-7-99



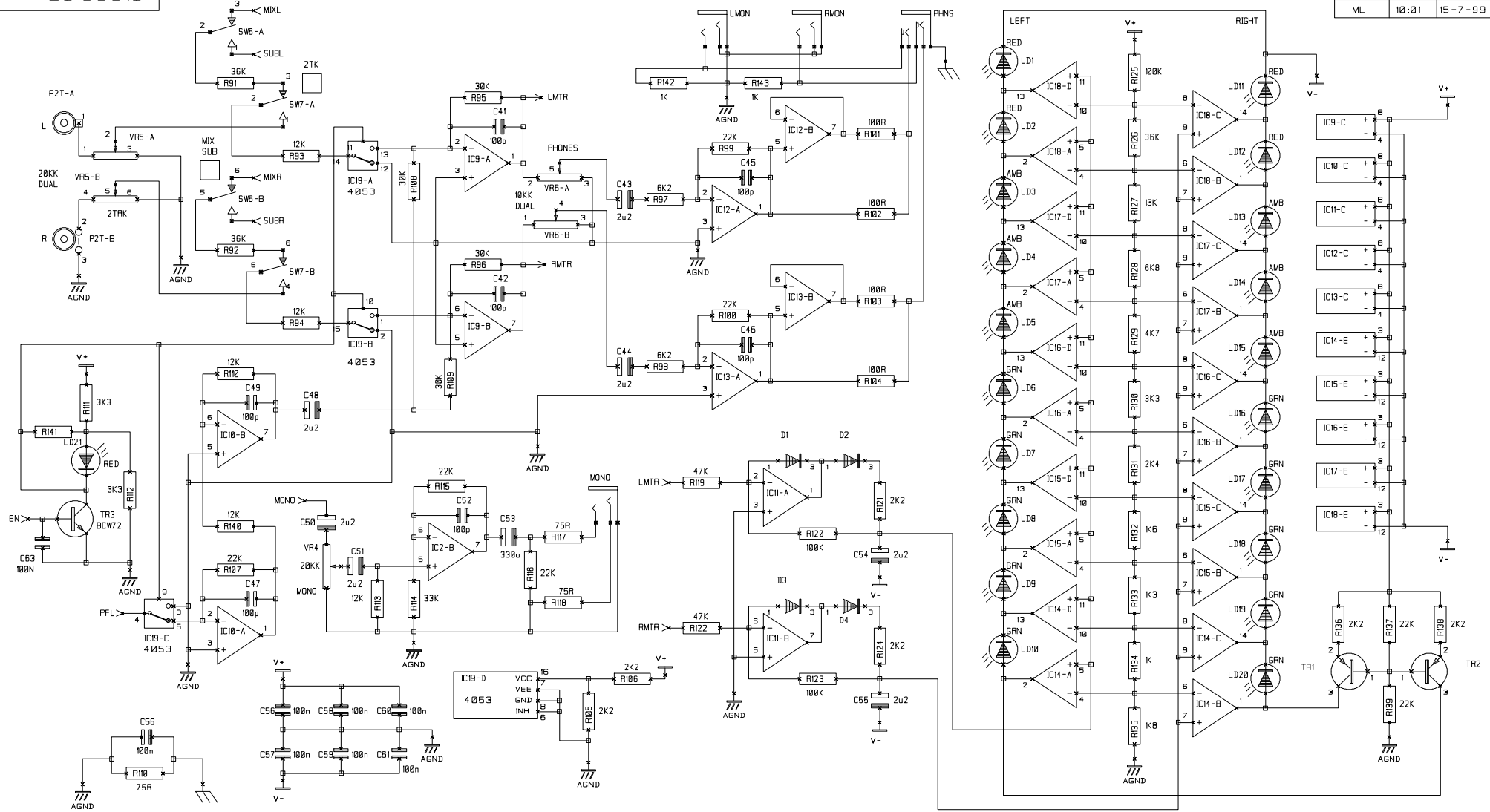
NOTES
 (1) STEREO INPUT CHANNEL B STEP AND REPEATED.

DRN. GHB
 TITLE FOLIO SX STEREO INPUT
 DRG NO. ED3681B



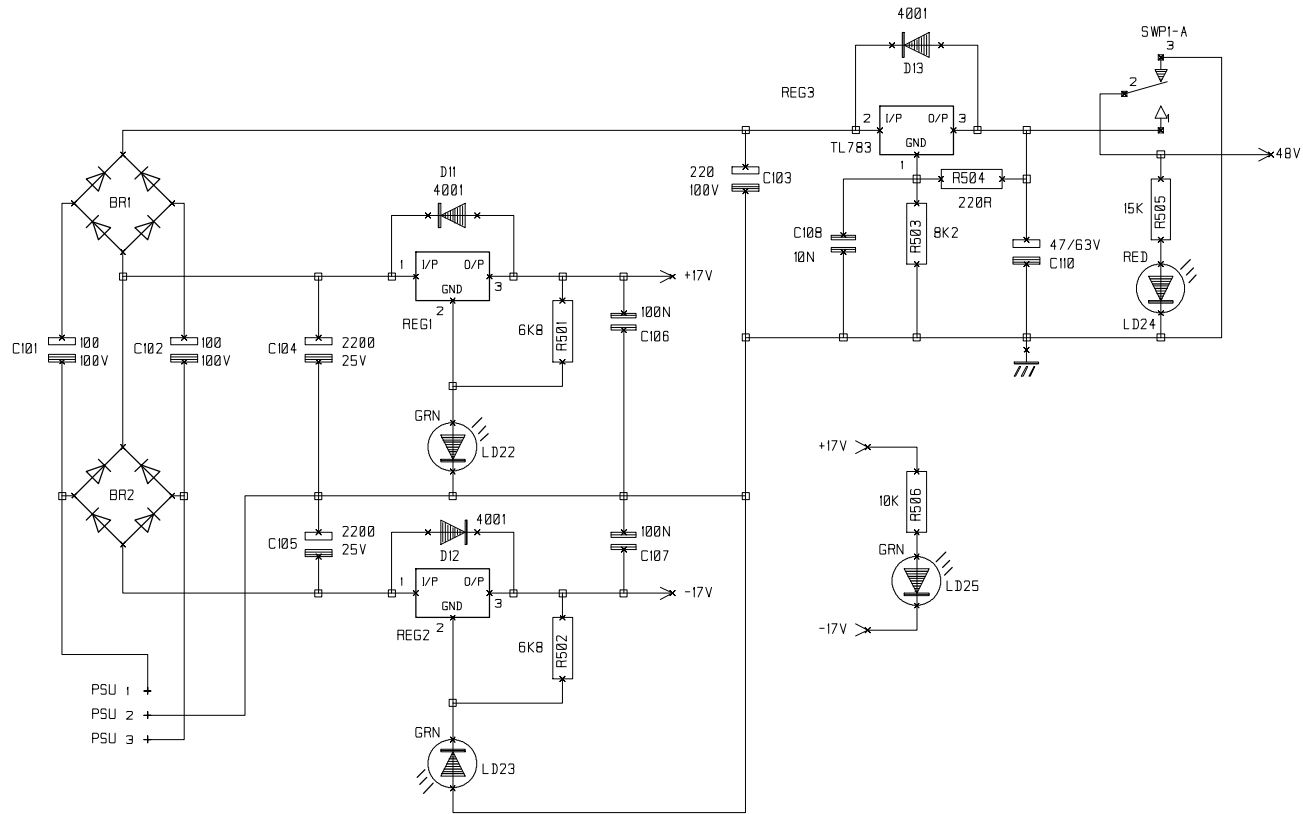
NOTES

DRN.	GHB	TITLE	FOLIO SX MASTER SECTION A
		DRG NO	ED3681C



NOTES

DRN.	GHB	TITLE	FOLIO SX MASTER SECTION B
		DRG NO	ED 3681D



NOTES

DRN	GHB	TITLE	FOLIO SX PSU
		DRG NO	ED 3681E
SHT. 5 OF 5			