

NOTES

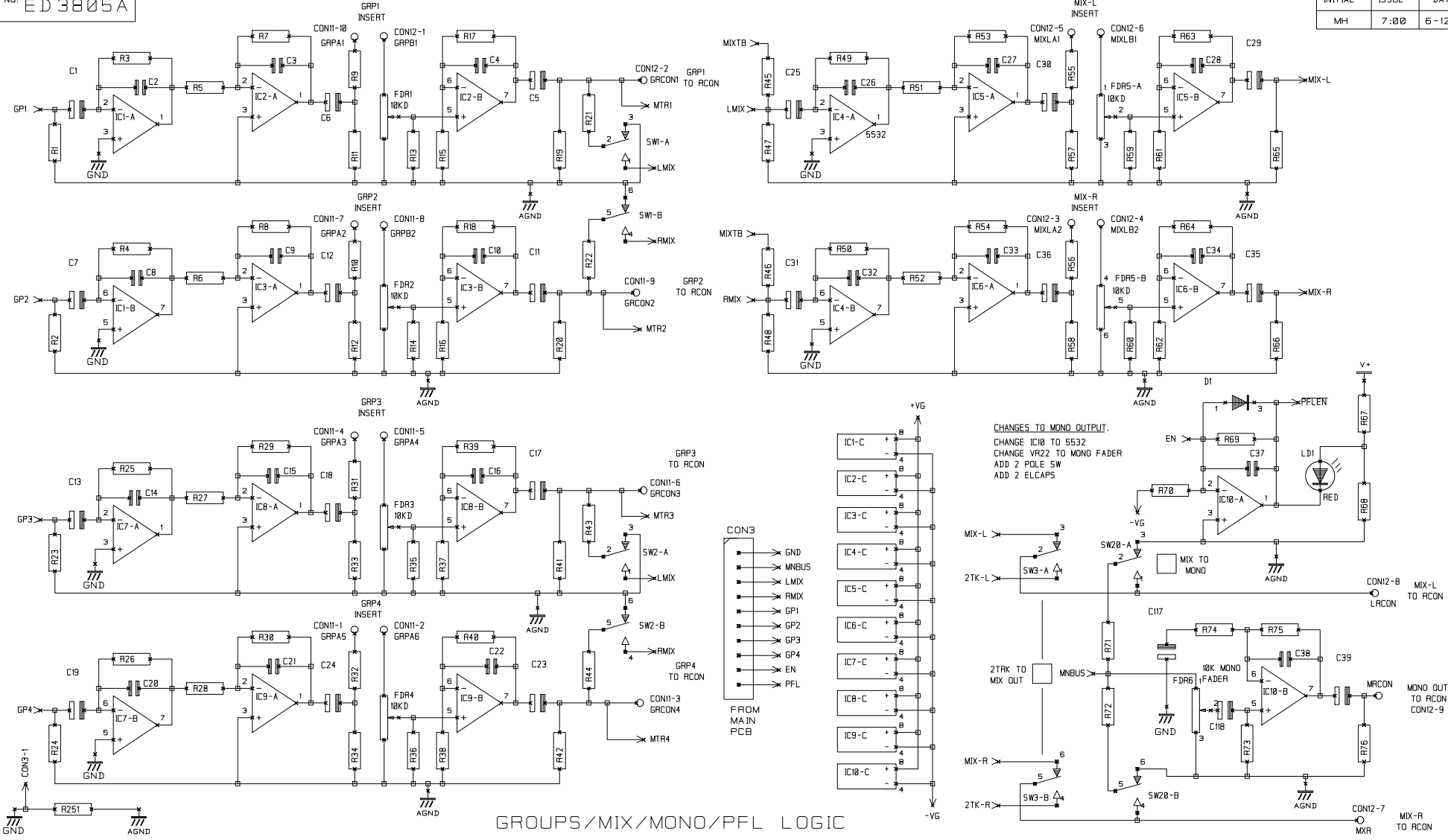
1) VOLTAGES ARE FOR OFF-LOAD.

2) THE MAINS INPUT FUSE IS RATED AT:-
 T1.0A/250V MAINS INPUT 220V/240V AC
 T2.0A/250V MAINS INPUT 100V/120V AC

DRN. GHB

TITLE FOLIO LX7
1A REG PSU

DRG NO. ED 3837



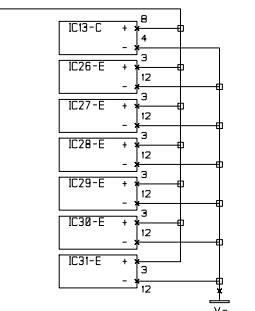
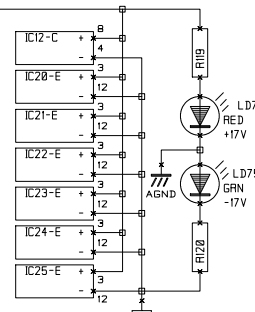
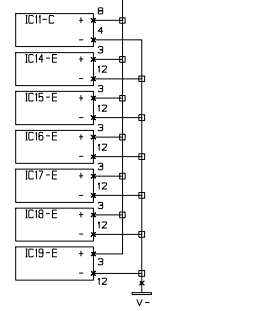
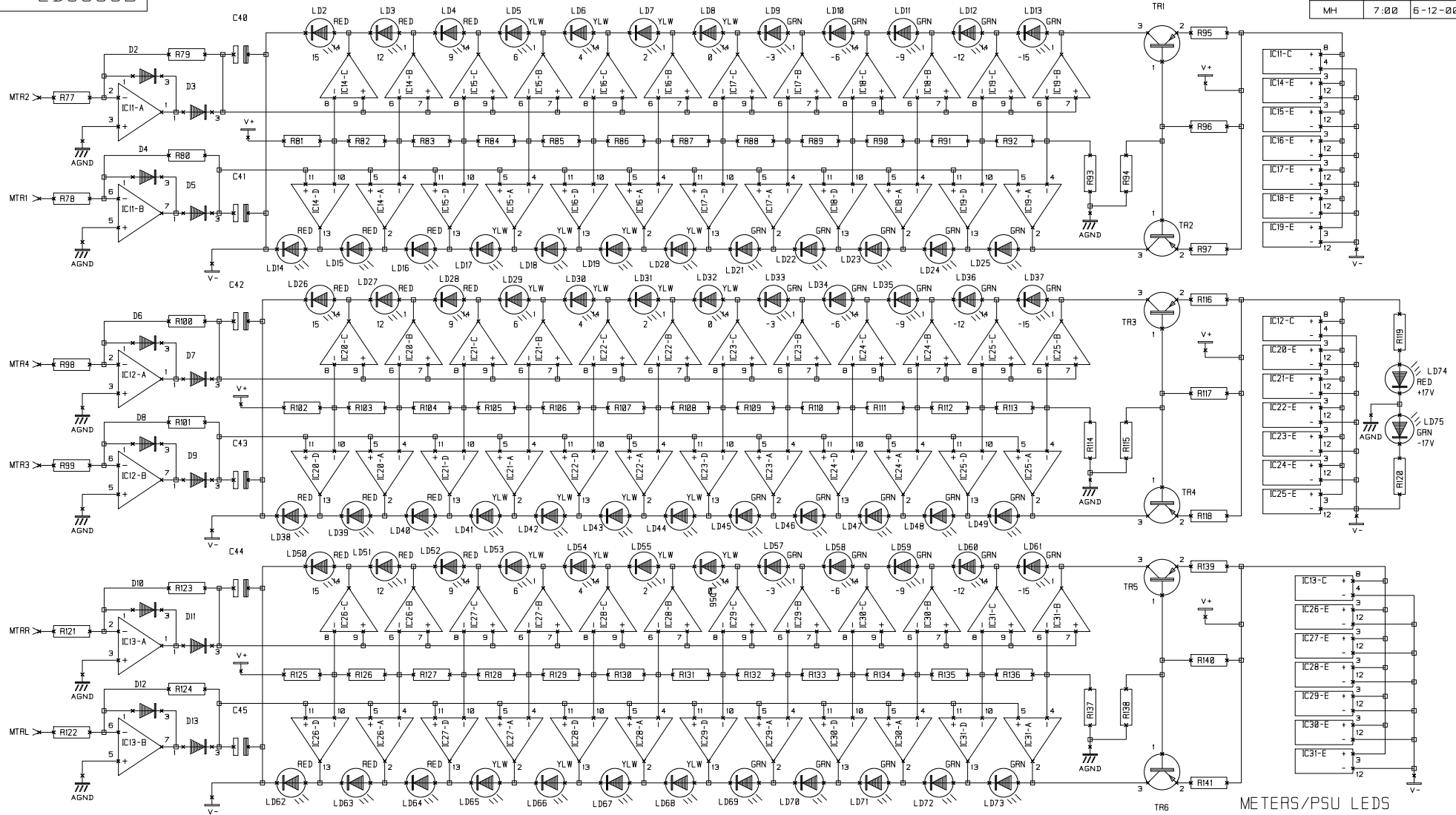
CHANGES TO MONO OUTPUT.
 CHANGE IC10 TO 5532
 CHANGE VR22 TO MONO FADER
 ADD 2 POLE SW
 ADD 2 ELCAPS

NOTES

DRN.	GHB	TITLE	SPIRIT LX7 MASTER / MONO
		DRG NO.	ED 3805A

DRG NO. ED3805B

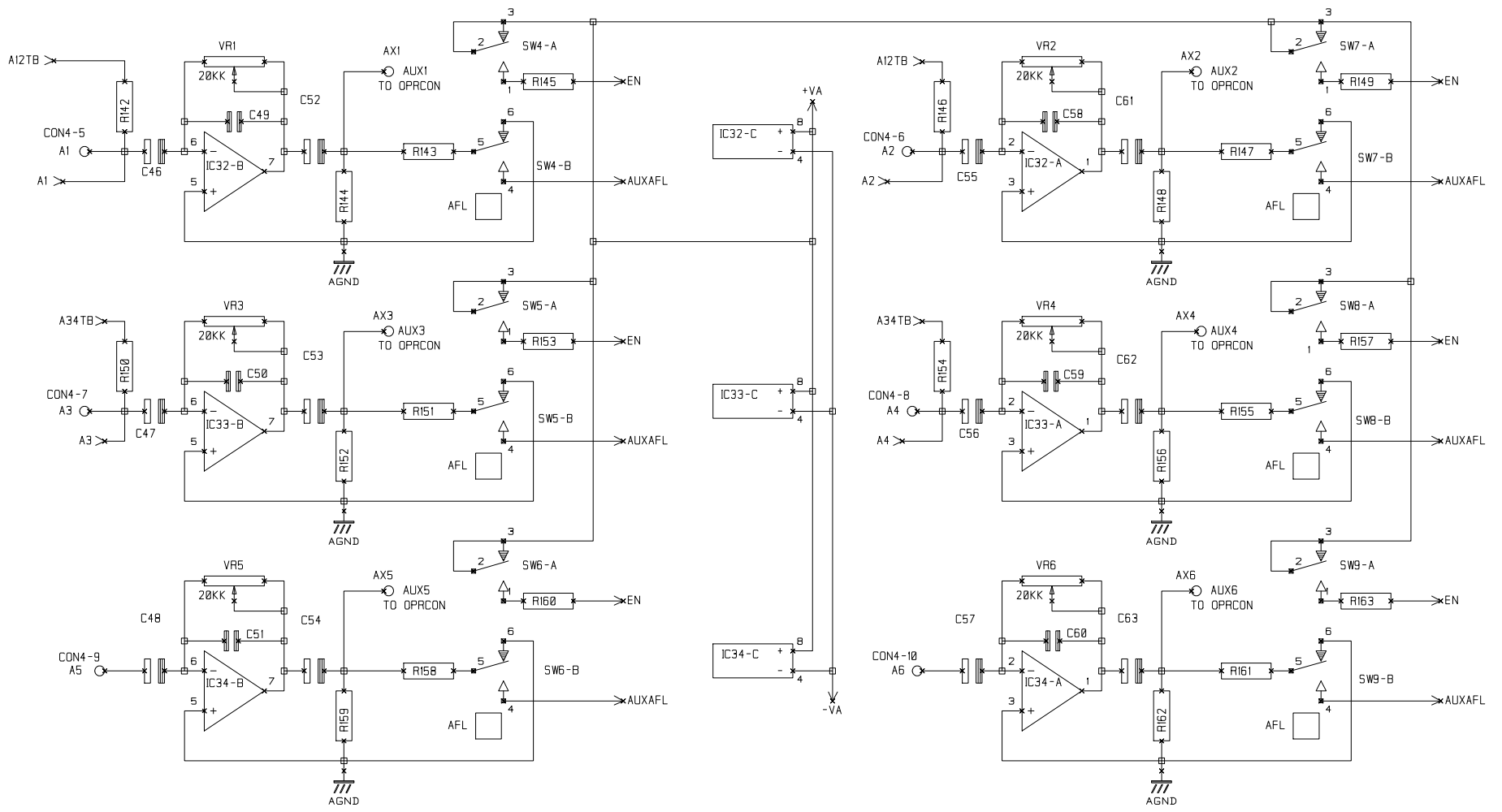
INITIAL	ISSUE	DATE
MH1	7-00	6-12-00



METERS/PSU LEDS

NOTES

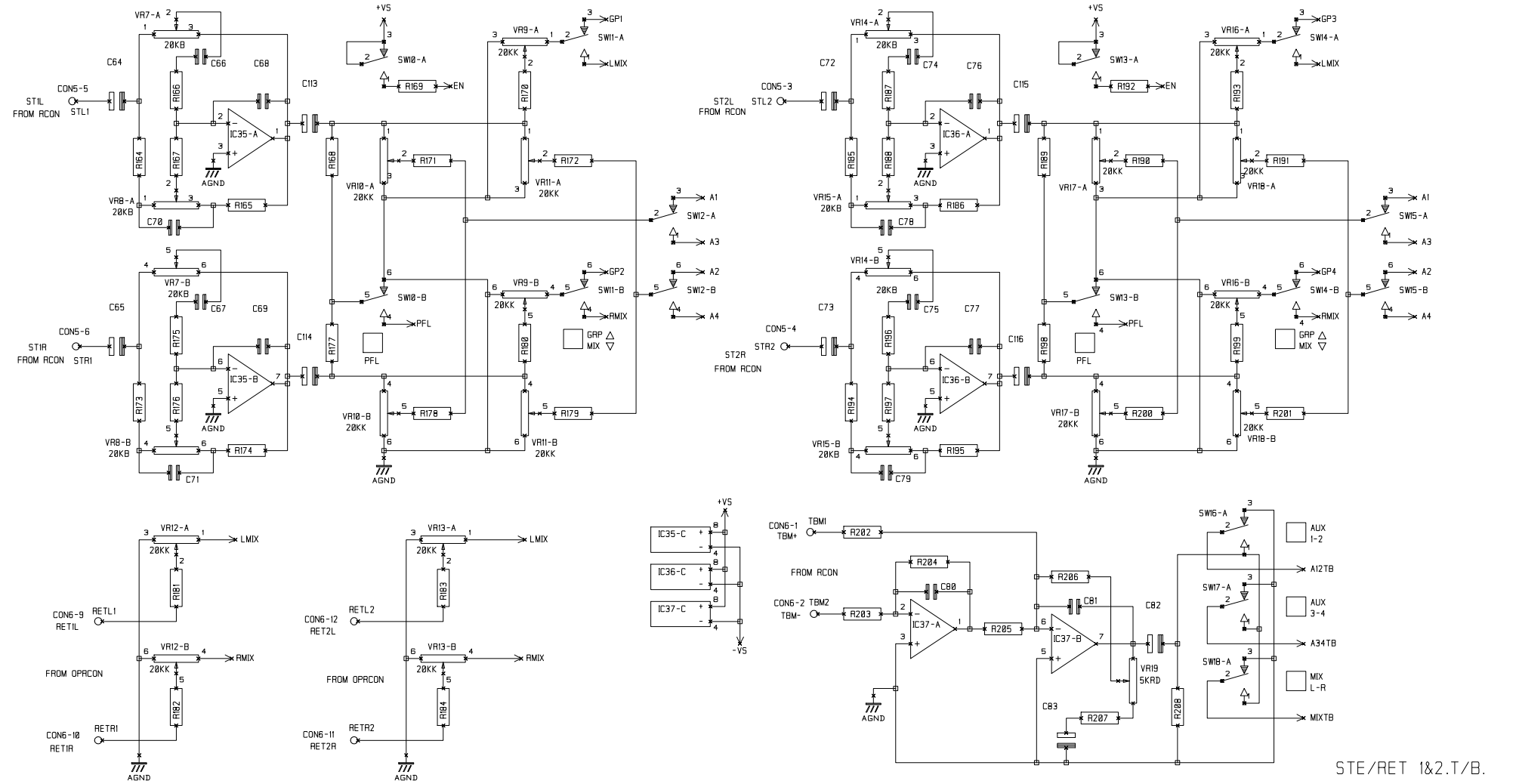
DRN.	GHB	TITLE	SPIRIT LX7 MASTER
		DRG NO.	ED3805B
			SHT. 2 OF 7



AUX MASTERS

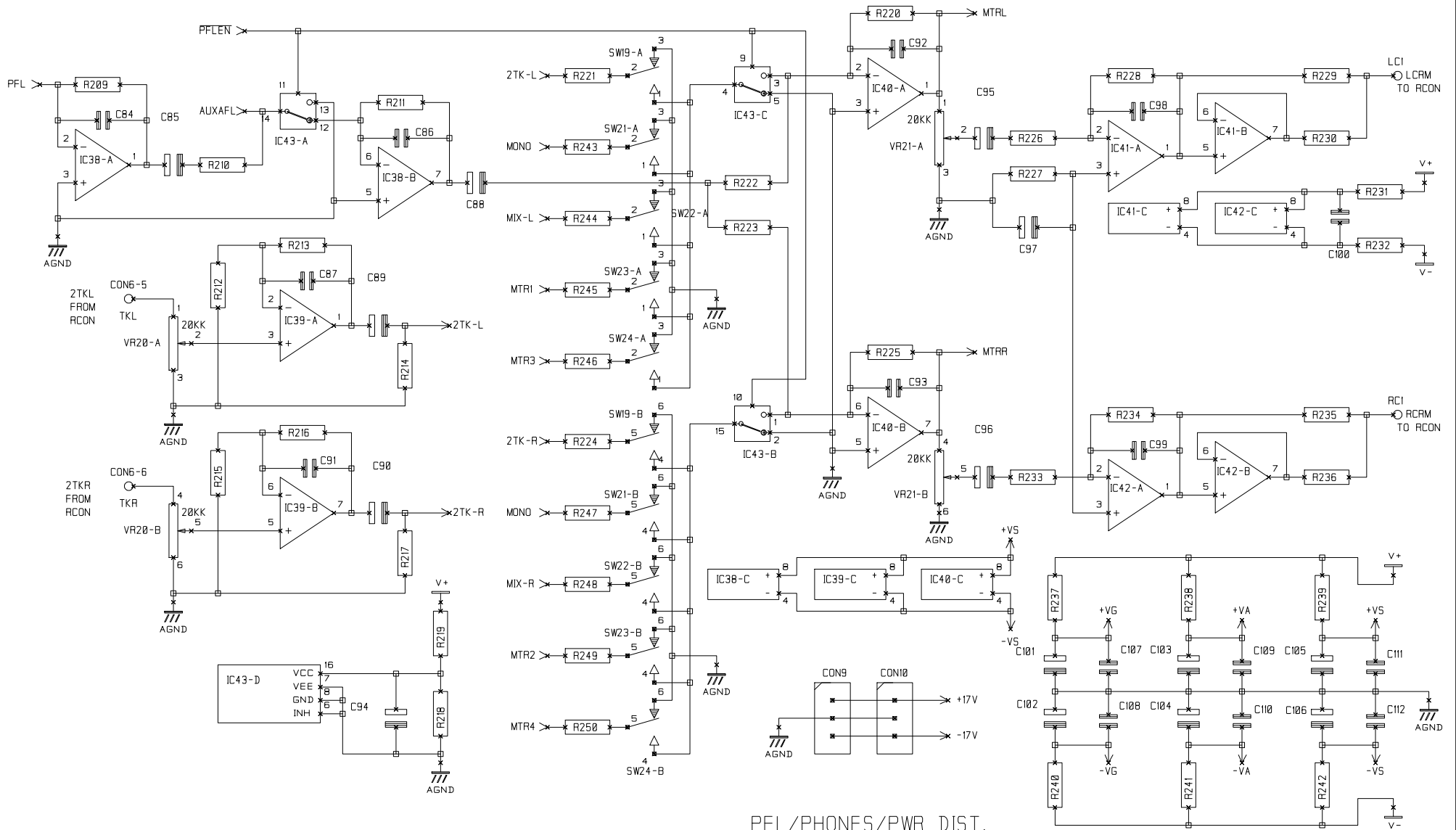
NOTES

DRN.	GHB	TITLE
		SPIRIT LX7 MASTER
		DRG NO. ED 3805C



STE/RET I&2.T/B.

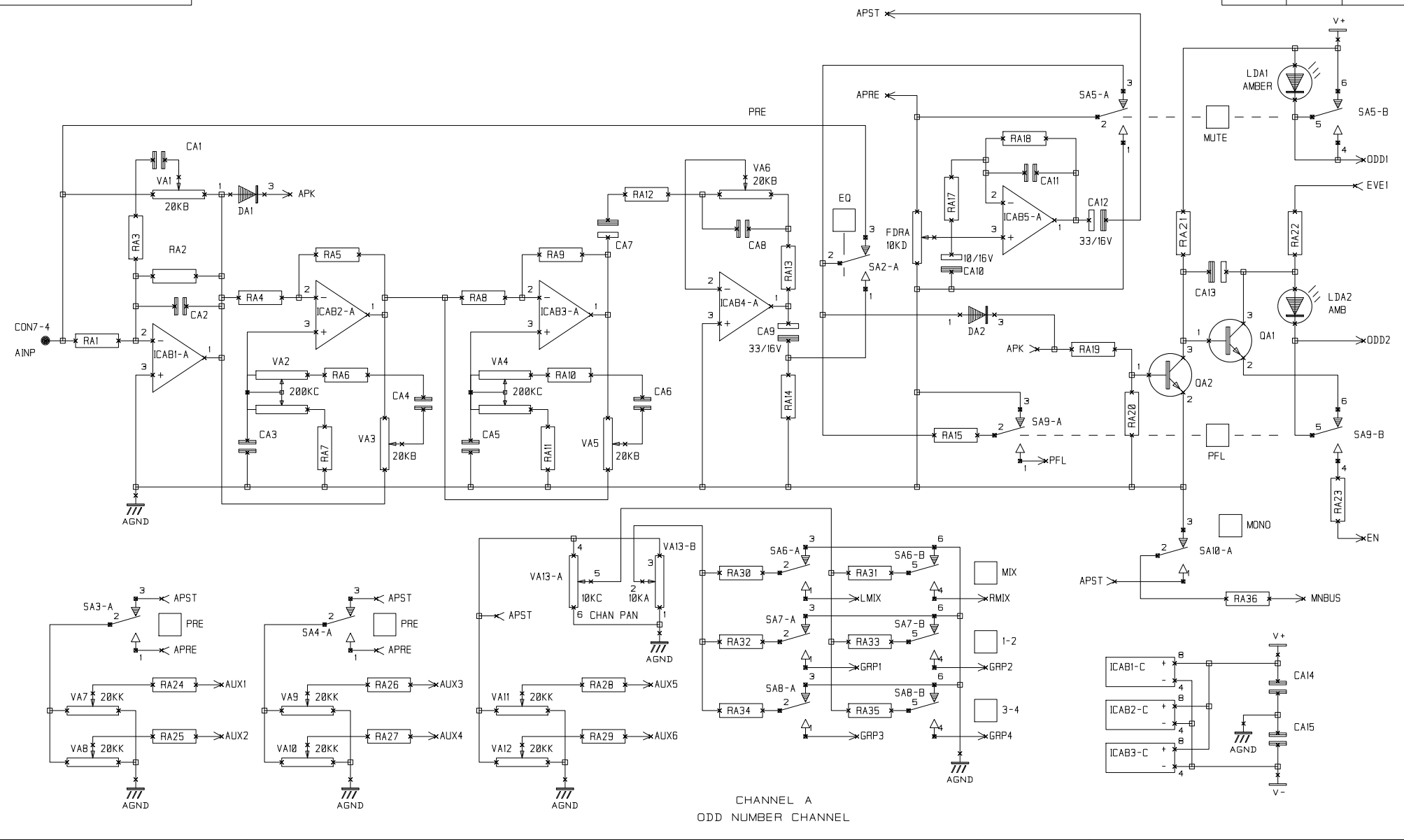
NOTES	DRN.	TITLE
		SPIRIT LX7 MASTER
		DRG NO. ED3805D
		SHT. 4 OF 7



NOTES

DRN.	GHB	TITLE
		SPIRIT LX7 MASTER
		DRG NO. ED 3805E

INITIAL	ISSUE	DATE
MH	7-00	6-12-00

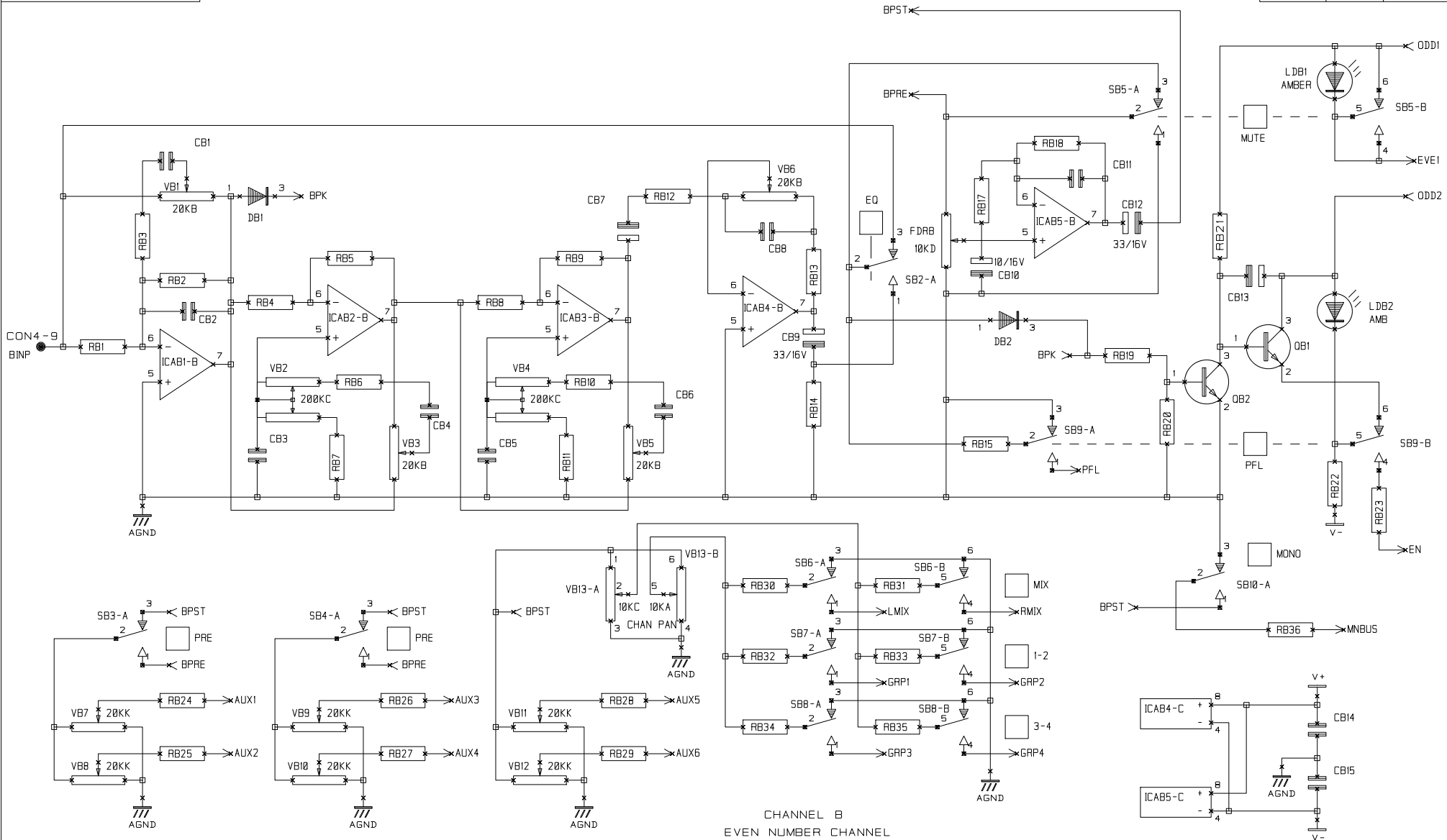


NOTES

1) ONLY CHANNEL A CIRCUIT SHOWN.

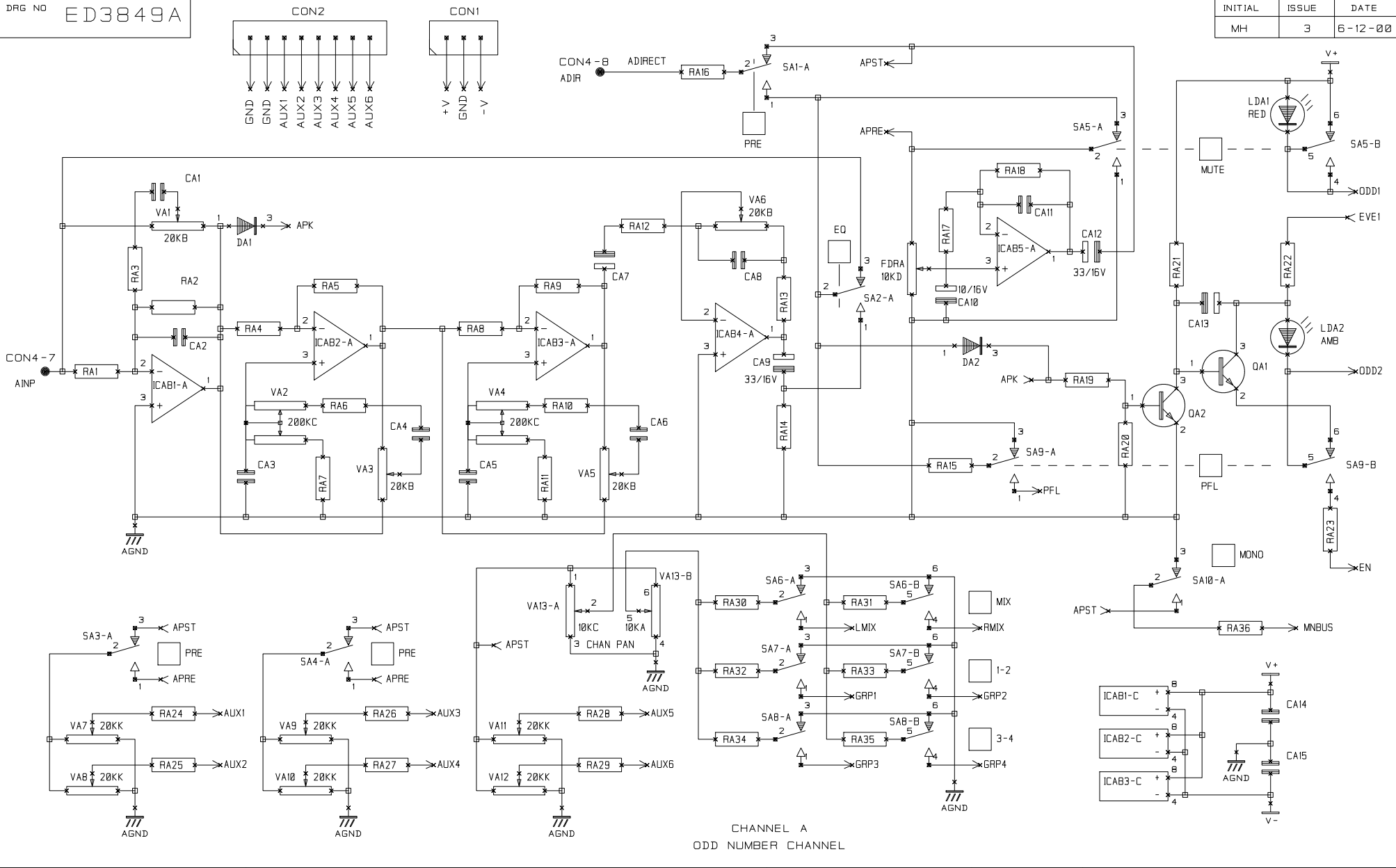
2) STEP AND REPEAT CHANNELS C,E AND G (ODD NUMBER CHANNELS)

DRN.	GHB	TITLE
		SPIRIT LX7 MASTER/MONO
		DRG NO. ED3805F
		SHT. 6 OF 7



NOTES
 1) ONLY CHANNEL B CIRCUIT SHOWN.
 2) STEP AND REPEAT CHANNELS D,F AND H (EVEN NUMBER CHANNELS)

INITIAL	ISSUE	DATE
MH	3	6-12-00

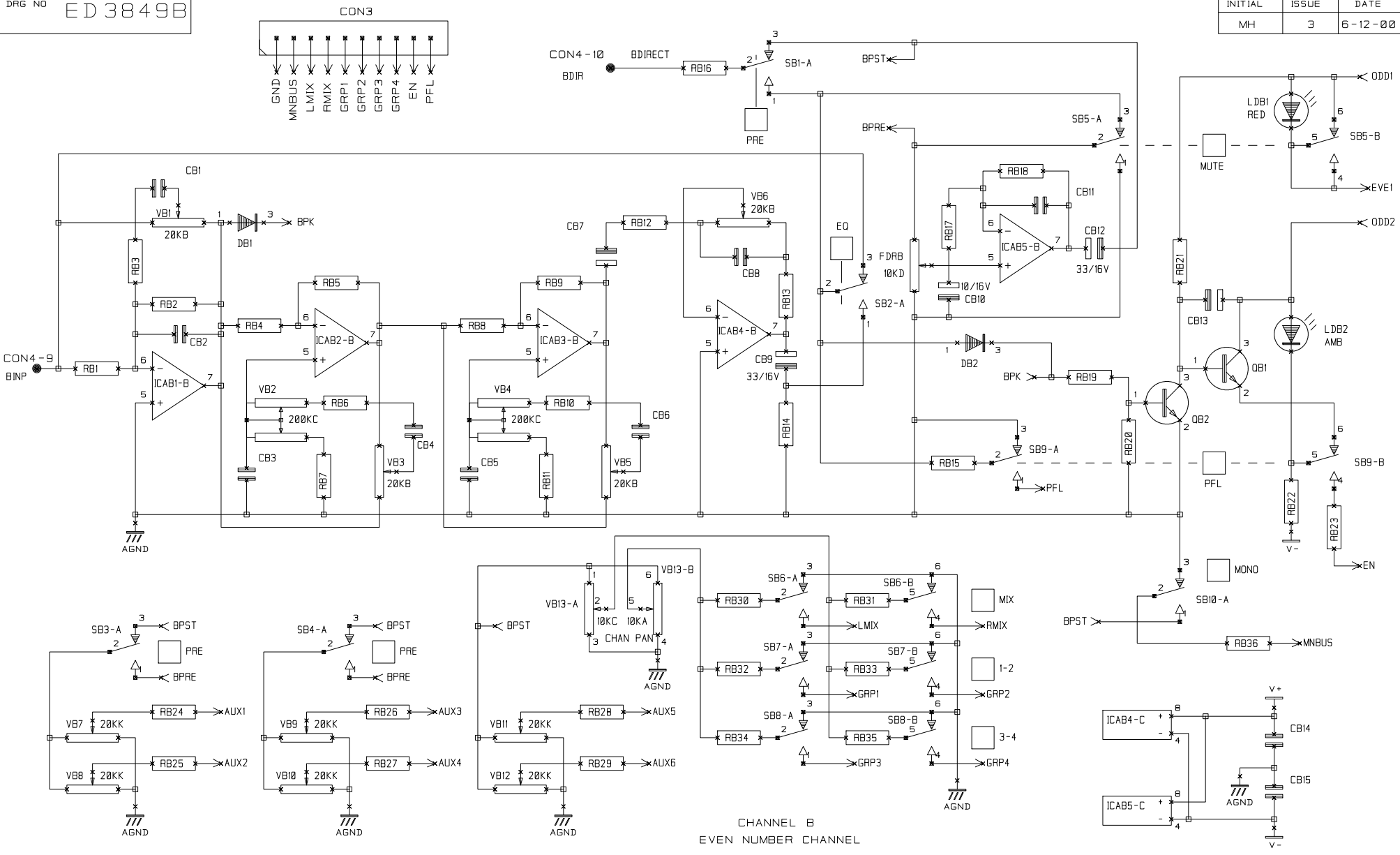


CHANNEL A
ODD NUMBER CHANNEL

NOTES
STEP AND REPEAT AS ODD NUMBER CHANNELS
(CHANNELS - C.E. AND G.)

DRN.	GHB	TITLE	FOLIO LX7 MONO INPUT
		DRG NO.	ED 3849A

INITIAL	ISSUE	DATE
MH	3	6-12-00



NOTES

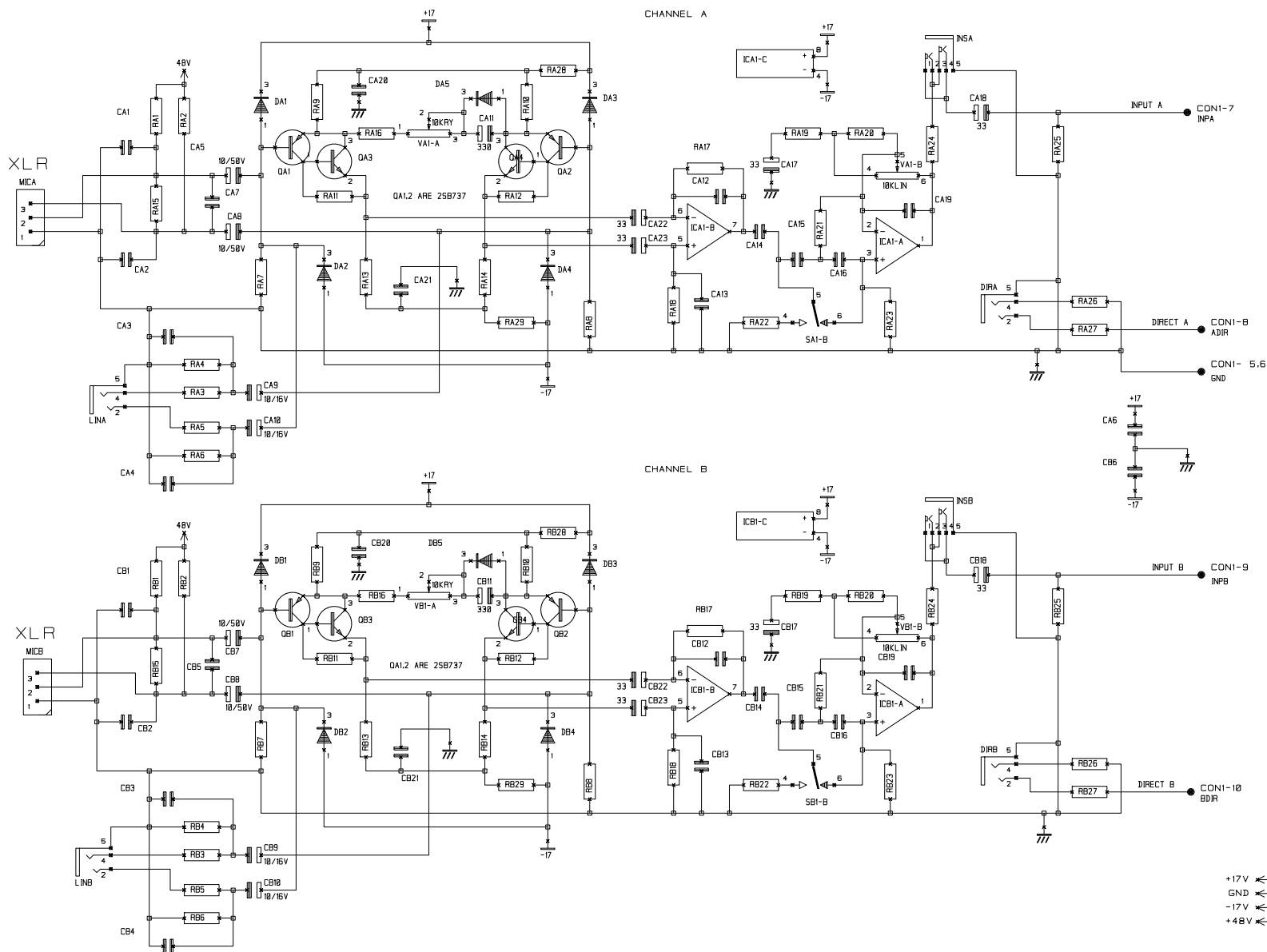
STEP AND REPEAT AS EVEN NUMBER CHANNELS
(CHANNELS D.F AND H.)

DRN. GHB

TITLE FOLIO LX7
MONO INPUT

DRG NO. ED 3849B

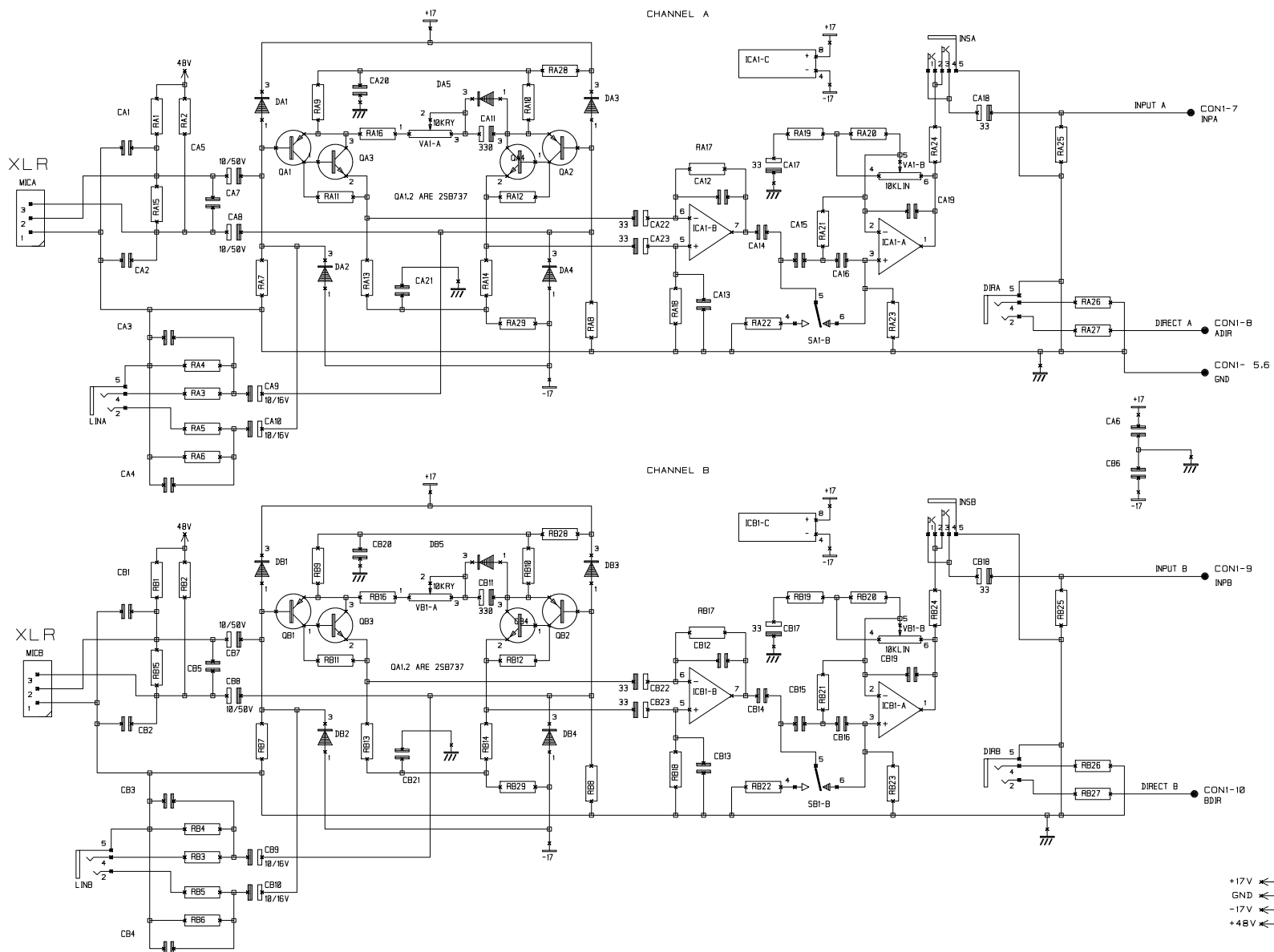
SHT. 2 OF 2



NOTES
STEP AND REPEAT CHANNELS C TO H
(CHANNELS 3 TO 8)

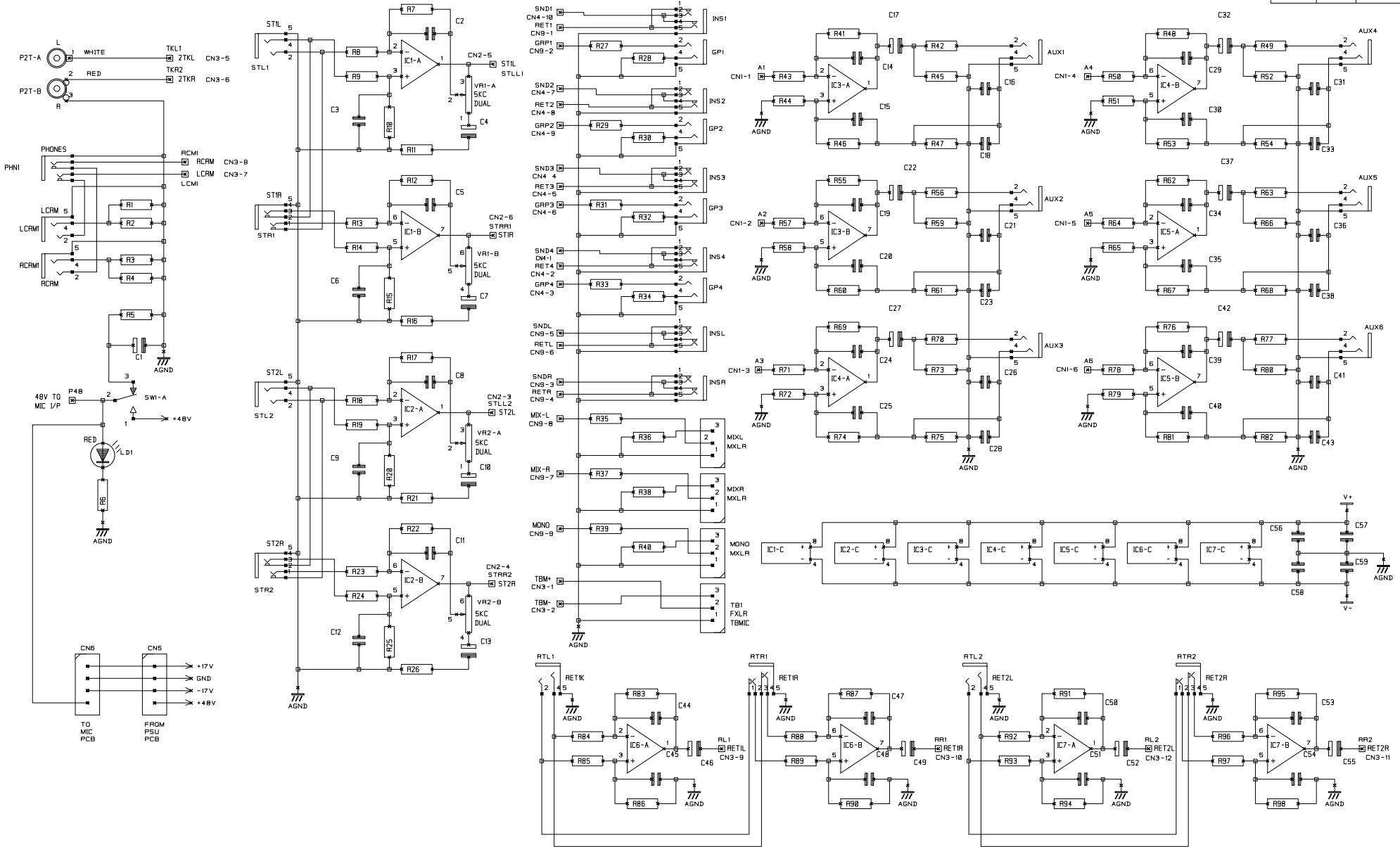
NOTES

DRN.	GHB	TITLE	FOL IO LX16 DUAL MIC PRE
		DRG NO.	ED 3850



NOTES
STEP AND REPEAT CHANNELS C TO P
(CHANNELS 3 TO 16)

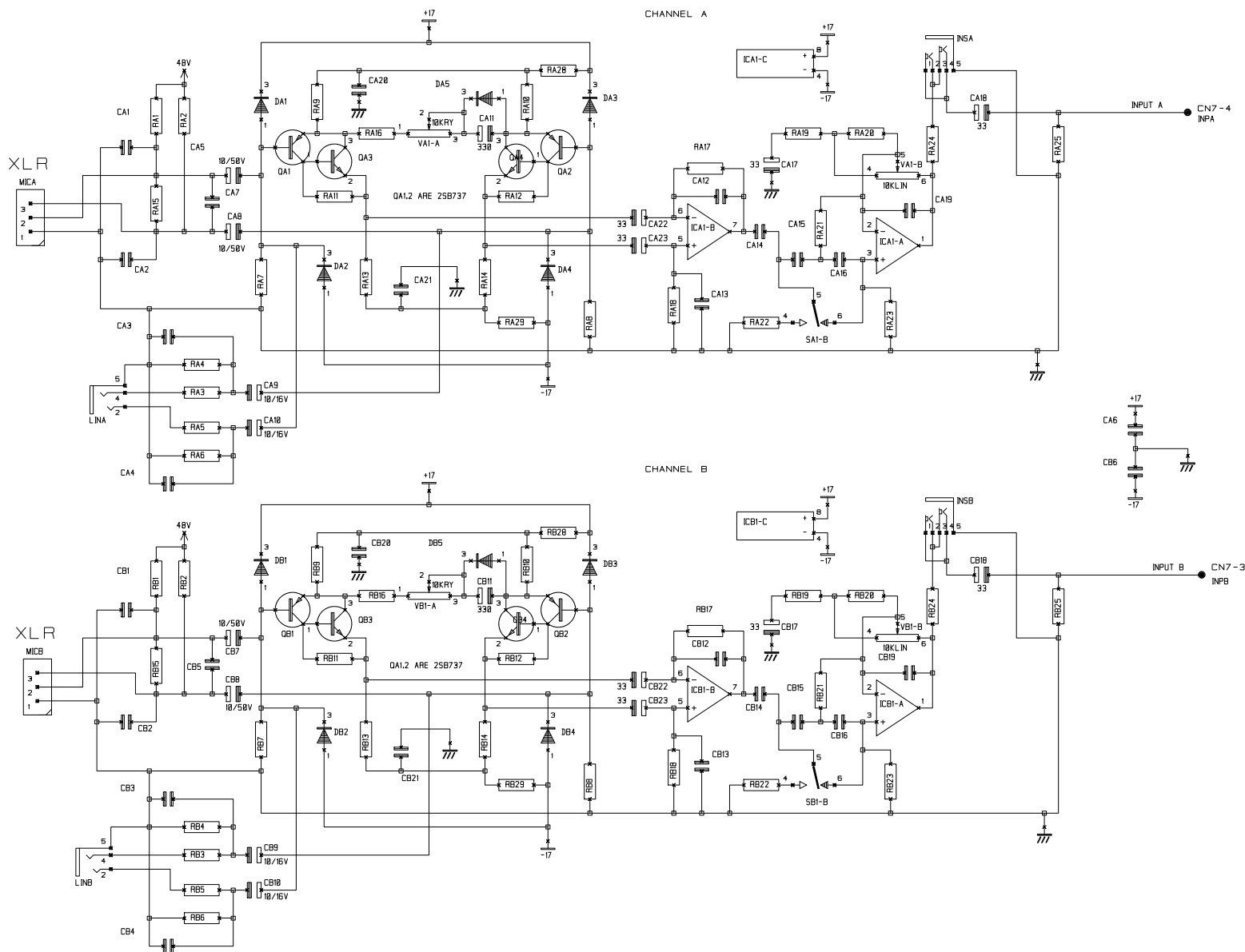
DRN.	GHB	TITLE	FOLIO XL7 DUAL MIC PRE
		DRG NO.	ED 3796



NOTES

NOTES

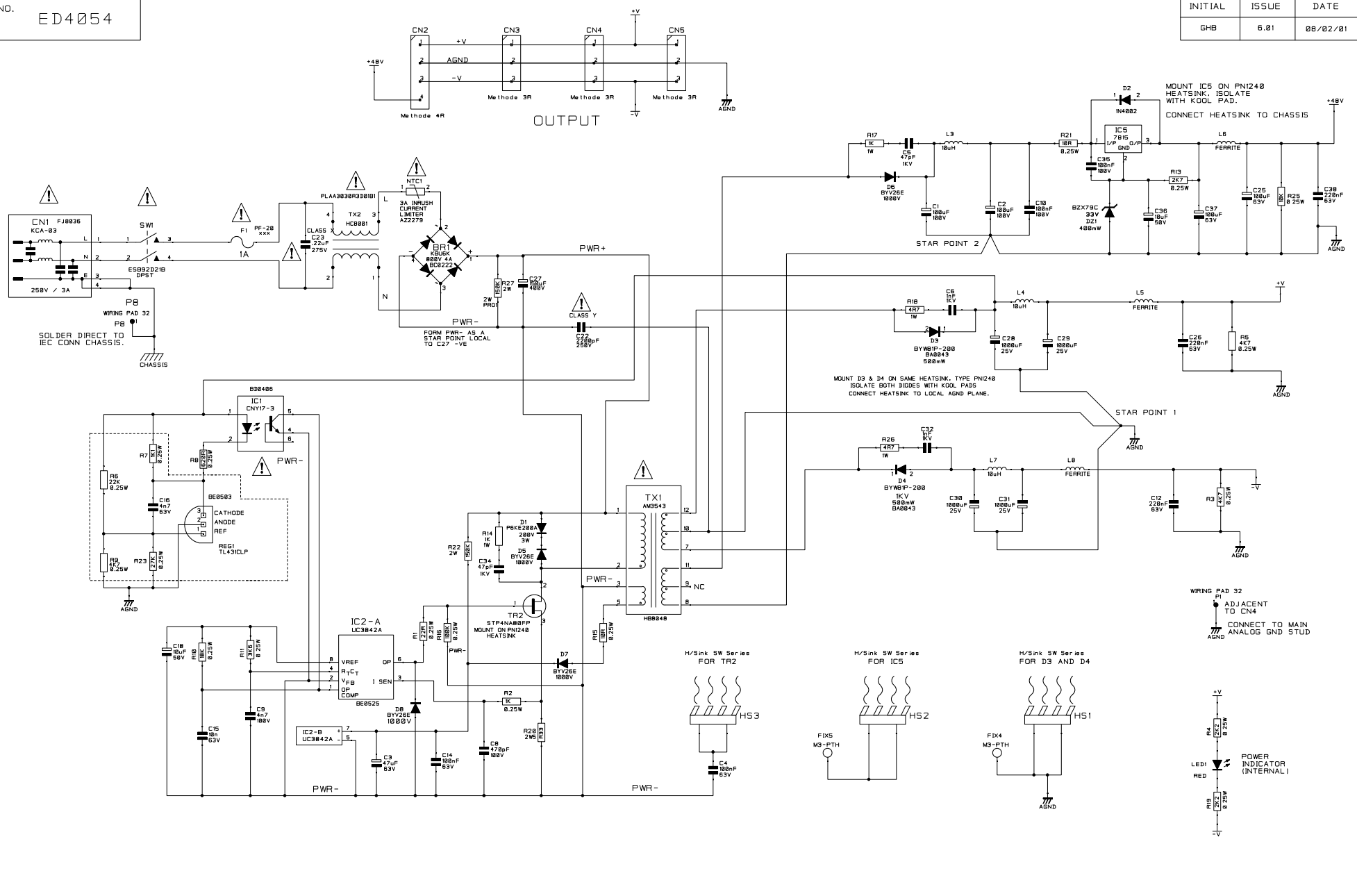
DRN.	IGHB	TITLE	FOLIO XL7 REARCONN DUAL MIC
		DRG NO.	ED3826A
		SHT.	1 OF 2



NOTES
STEP AND REPEAT CHANNELS C TO H
(CHANNELS 3 TO 8)

NOTES

DRN.	GHB	TITLE	FOLIO XL7 REARCONN DUAL MIC
		DRG NO.	ED 3826B



SOUNDCRAFT OWNS THE COPYRIGHT OF THIS DRAWING WHICH IS NOT TO BE COPIED, IN PART OR IN WHOLE TO A THIRD PARTY WITHOUT WRITTEN PERMISSION.

NOTES

DRN. GHB
 DATE

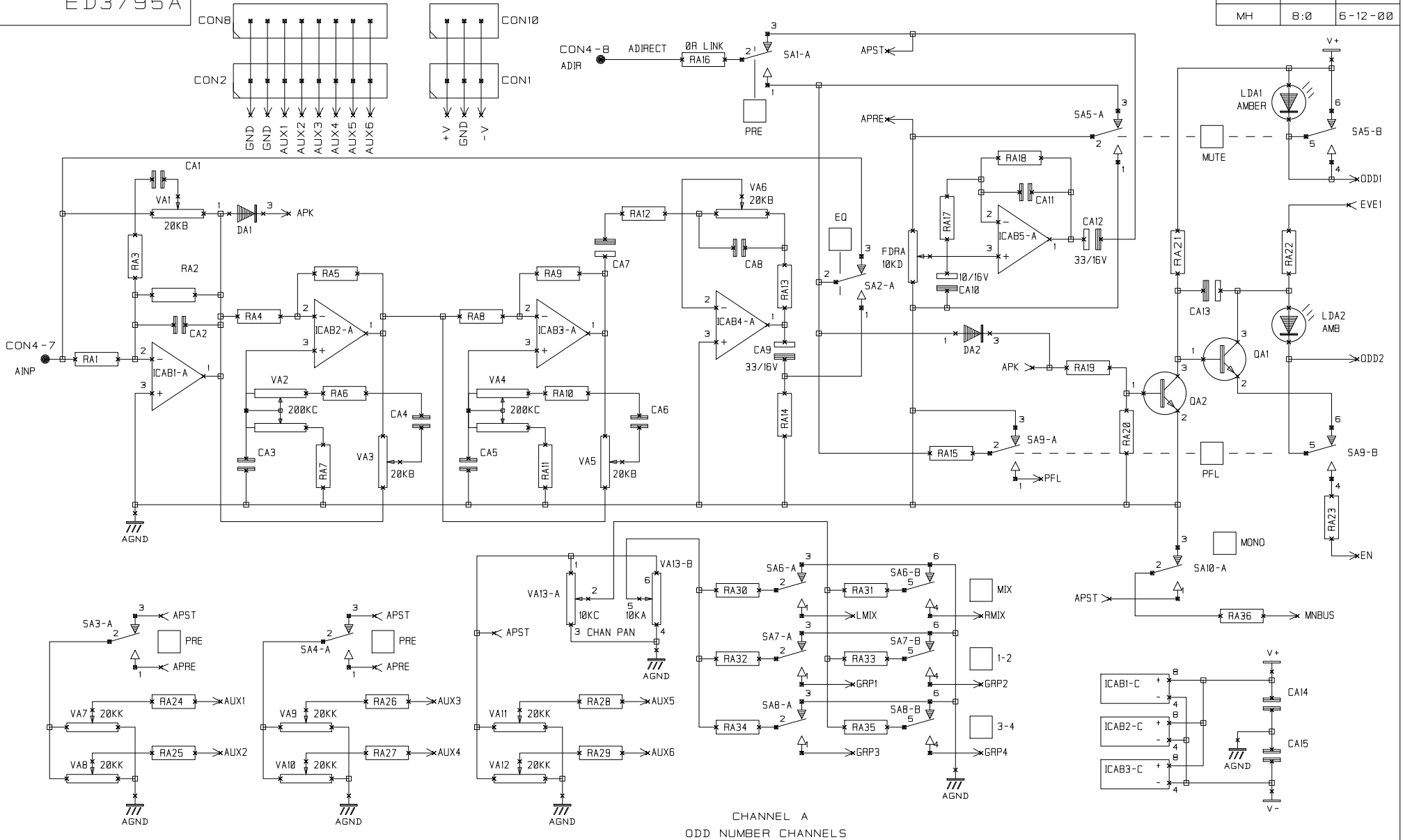
SOUNDCRAFT
 HARMAN INT. INDUSTRIES LTD.
 CRANBORNE HOUSE,
 CRANBORNE ROAD,
 POTTERS BAR,
 HERTS. ENG. 3 JN.
 TEL: 01707 655000
 FAX: 01707 650482

TITLE
 LX7-40
 PSU

DRG NO. ED4054

SHT. 1 OF 1

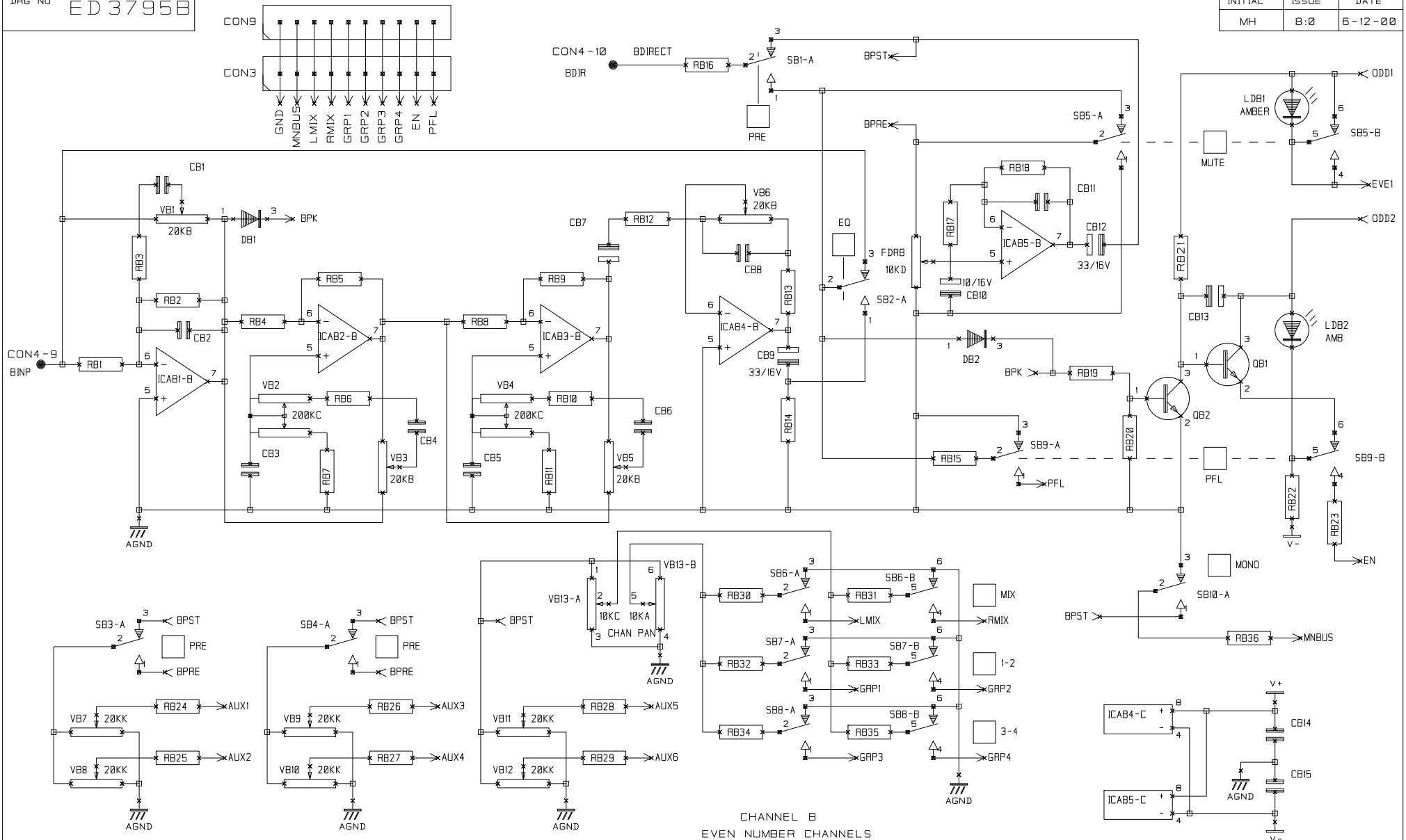
INITIAL	ISSUE	DATE
MH	8:0	6-12-00



NOTES
 1) CHANNEL A SHOWN ABOVE.
 2) CHANNELS C.E.G.I.K.M. AND O ARE STEP AND REPEAT OF ABOVE CIRCUIT (ODD NUMBER CHANNELS)

DRN.	GHB	TITLE	SPIRIT LX7 / LX7-40 MONO INPUT
		DRG NO.	ED3795A
SHT. 1 OF 2			

INITIAL	ISSUE	DATE
MH	8:0	6-12-00



CHANNEL B
EVEN NUMBER CHANNELS

NOTES

- 1) CHANNEL B SHOWN ABOVE.
- 2) CHANNELS D,F,H,J,L,N, AND P ARE STEP AND REPEAT OF ABOVE CIRCUIT (EVEN NUMBER CHANNELS)

DRN. GH8

TITLE SPIRIT LX7 /
LX7-40 MONO INPUT

DRG NO. ED 3795B